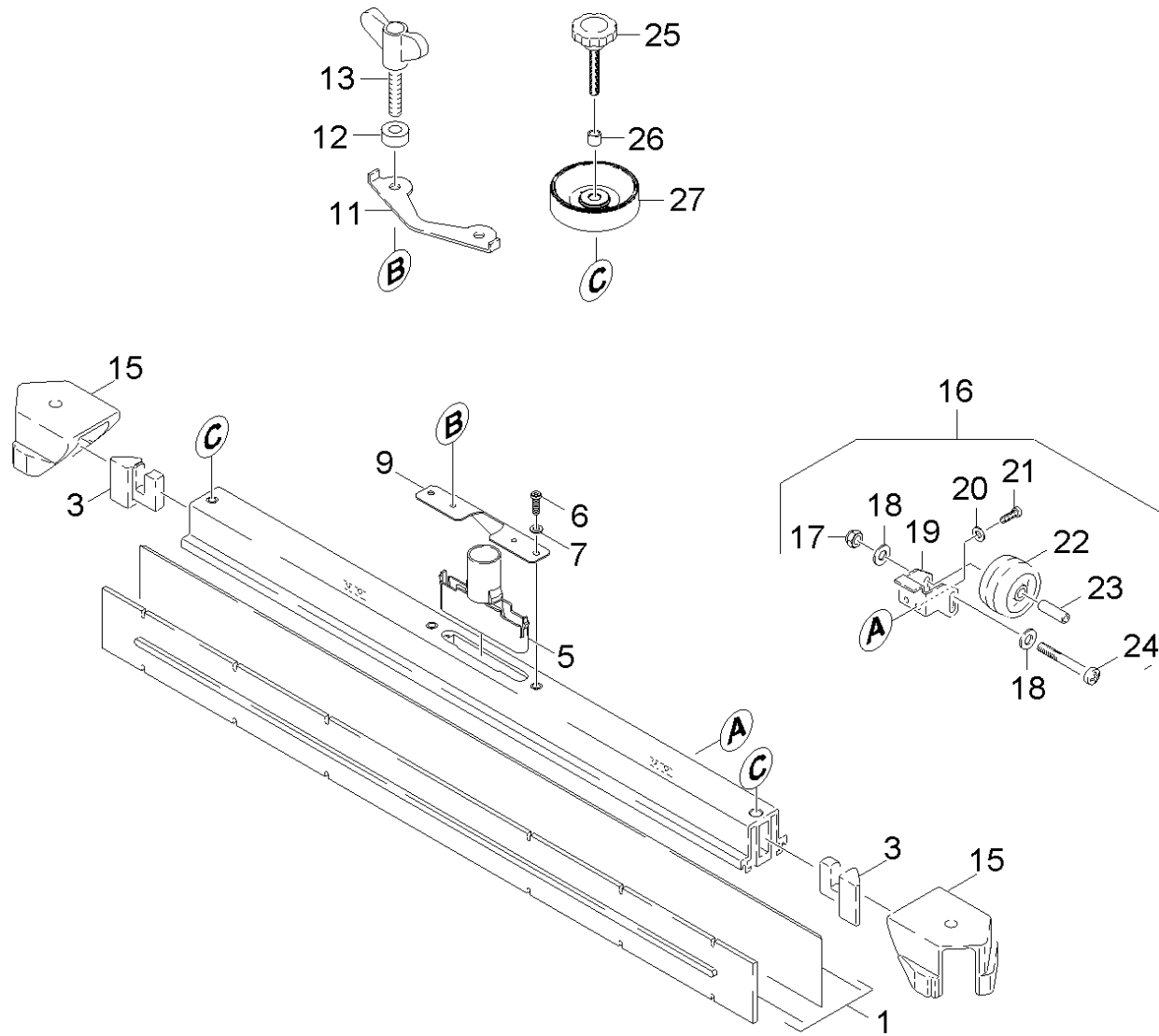


10 Suction bar straight 940mm

Professional \ Floor cleaner \ Walk behind \ B 60 W Bp *EU \ Documentation B 60 W \ Spare parts list B 60 W \ Suction bar \ Suction bar \ Suction bar 940AB \ Spare parts list suction bar 940AB \ Suction bar straight 940mm



10 Suction bar straight 940mm

Professional \ Floor cleaner \ Walk behind \ B 60 W Bp *EU \ Documentation B 60 W \ Spare parts list B 60 W \ Suction bar \ Suction bar \ Suction bar 940AB \ Spare parts list suction bar 940AB \ Suction bar straight 940mm



POS	Article no.	Description	Quantity	Unit	Remark	Foot note text
16	2.639-561.0	Add-on kit support wheels suction bar	1	PC		
23	5.105-245.0	Axle	1	PC		
6	7.306-142.0	Cylinder head screw M 8x25-A4-70 ISO 47	2	PC		
27	5.515-267.0	Deflector roll	2	PC		
15	2.885-294.0	End piece left / right spare parts set	1	PC		
3	2.885-326.0	End piece left / right spare parts set	1	PC		
24	7.304-550.0	Hexagonal head screw M 6x45-A4-70 ISO 4	2	PC		
17	7.311-422.0	Hexagon nut M 6-1.4305 ISO 10511	1	PC		
19	5.044-304.0	Holder roller	2	PC		
11	5.007-217.0	Plate	1	PC		
1	6.273-205.0	Rubber lip set anti stripe oil resistant	1	ZSA		ANTI-STRIP, OIL RESISTANT
1	6.273-208.0	Rubber lip set oil resistant	1	ZSA		OIL RESISTANT
1	6.273-214.0	Rubber lip set standard	1	ZSA		STANDARD
21	7.303-037.0	Screw M5x10 -St-P2R (In6Rd)	2	PC		
26	5.094-231.0	Sleeve suction bar in VA	2	PC		STAINLESS STEEL CONSTRUCTION
25	6.321-239.0	Star grip VA Ø50x43	2	PC		STAINLESS STEEL CONSTRUCTION
5	5.033-601.0	Suction nipple	1	PC		GREY
9	4.044-129.0	Support plate suction bar complete	1	PC		
20	7.312-052.0	Washer 5 -A2 ISO 7089	2	PC		
18	7.312-026.0	Washer 6 -A2 ISO 7089	2	PC		
7	7.312-017.0	Washer 8-A2 ISO 7089	2	PC		
22	6.435-401.0	Wheel D54	2	PC		
13	5.305-008.0	Wing screw M8x30 VA	2	PC	(VA)	