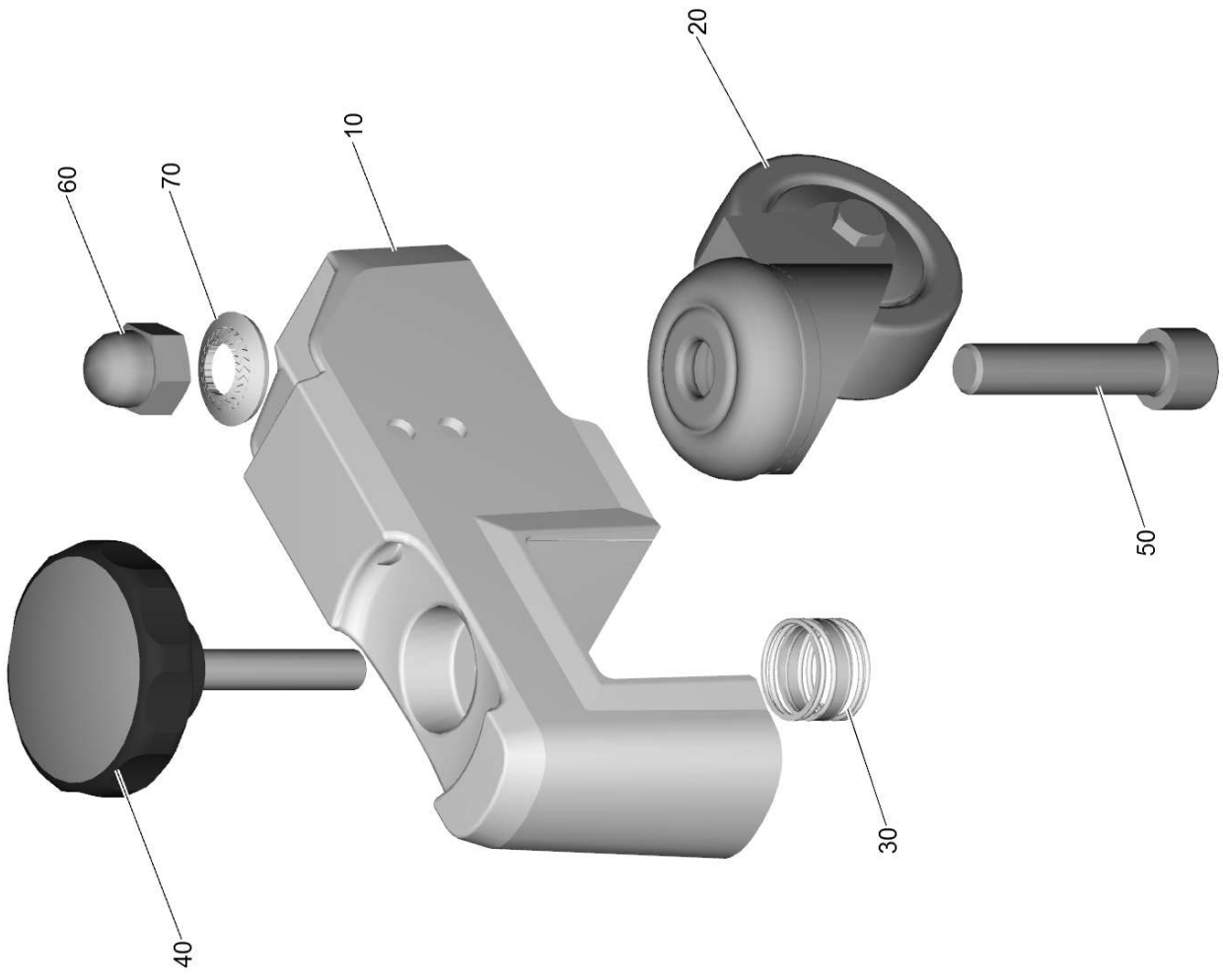


9000 Conversion kit support roller deep (4.035-281.0)

Professional \ Floor cleaner \ Walk behind \ B 40 \ B 40 C Ep 240V \ Spare parts list B 40 C Ep 240V \ Suction bar straight 850mm \ Conversion kit support roller deep



9000 Conversion kit support roller deep (4.035-281.0)

Professional \ Floor cleaner \ Walk behind \ B 40 \ B 40 C Ep 240V \ Spare parts list B 40 C Ep 240V \ Suction bar straight 850mm \ Conversion kit support roller deep

KÄRCHER

POS	Article no.	Description	Quantity	Unit
10	5.101-626.0	Housing with additional weight	1	PC
30	5.332-554.0	Pressure spring	1	PC
40	6.321-240.0	Star grip with inscription VA Ø50x43	1	PC
20	6.435-179.0	Castor for thread deflector	1	PC
	Item text1: replaced by 9.763-636.0			
70	6.996-526.0	Serrated locking washer d,10	1	PC
50	7.306-068.0	Cylinder head screw M10x45-8.8-A2K DIN 912	1	PC
60	7.311-382.0	Cap nut M10-6-A3E DIN 1587	1	PC
20	9.763-636.0	Castor for thread deflector	1	PC
	Item text1: successor of 6.435-179.0			