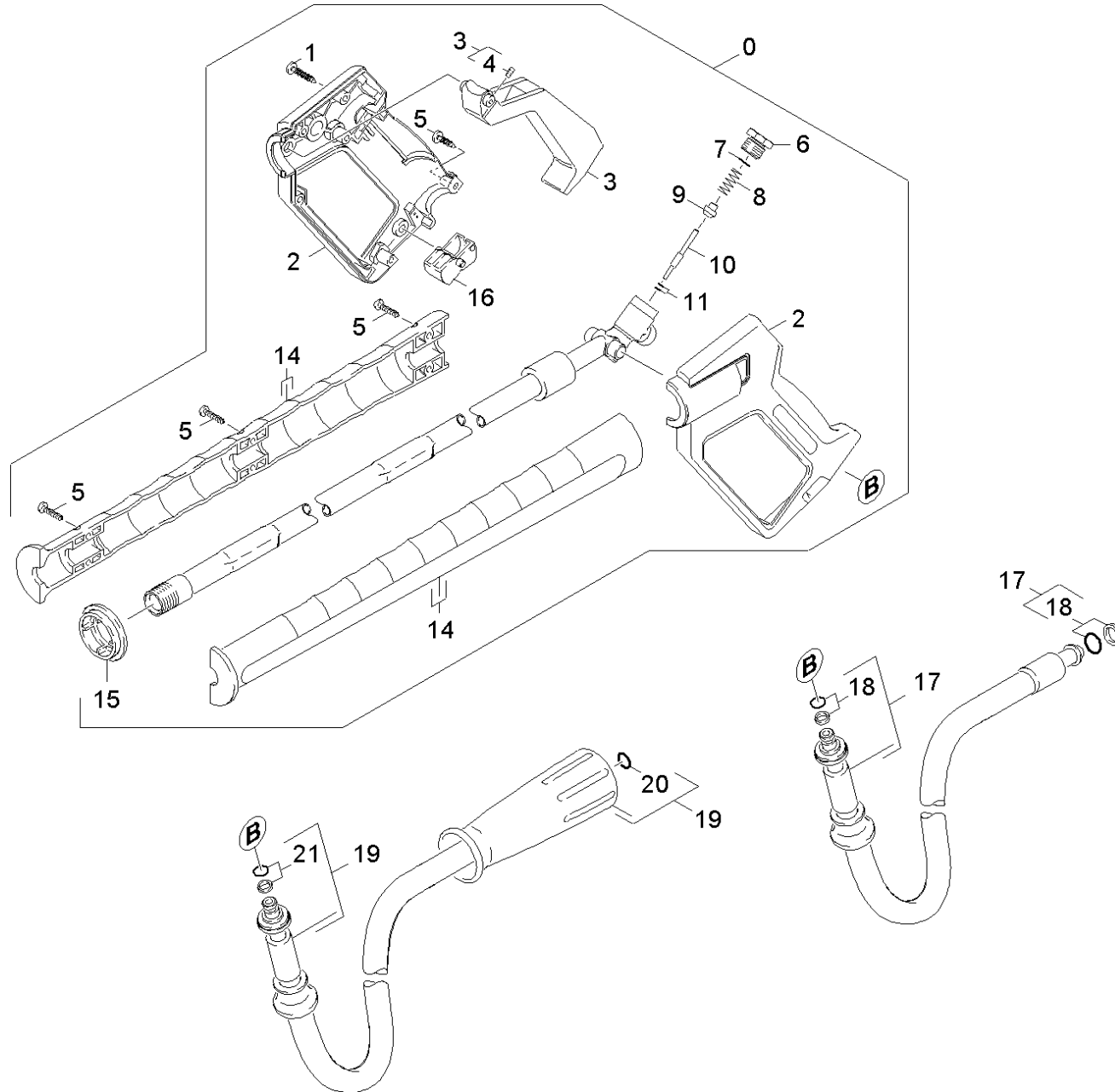


# 81 Hand trigger gun

Professional \ High pressure cleaner hotwater \ Electric motor \ HDS 5/11 UX \*EU \ Spare parts list HDS 5/11 U \ Accessories \ Hand trigger gun



## 81 Hand trigger gun

Professional \ High pressure cleaner hotwater \ Electric motor \ HDS 5/11 UX \*EU \ Spare parts list HDS 5/11 U \ Accessories \ Hand trigger gun



POS	Article no.	Description	Quantity	Unit
0	7.777-999.0	Stockpiling discontinued	1.000	ST
1	7.303-096.0	Screw 4x22 -ST-10.9-R2R (IN6RD)	6.000	ST
2	5.321-206.0	Handhold few	1.000	ST
3	4.481-050.0	Lever	1.000	ST
4	7.307-417.0	Threaded pin M8x16 -45H-A2E ISO 4026	1.000	ST
5	7.303-129.0	Screw 4x16 -10.9-R2R (K-In6Rd)	7.000	ST
6	5.411-067.0	Screw plug	1.000	ST
7	6.362-584.0	O-Ring seal 12,42X 1,78	1.000	ST
8	5.332-157.0	Helical spring	1.000	ST
9	5.582-058.0	Valve disc	1.000	ST
10	5.107-259.0	Bar	1.000	ST
11	4.880-069.0	Spare part O-ring kit	1.000	ST
14	5.322-083.0	Handhold few extended Low End	1.000	ST
15	5.031-259.0	Moulded part	1.000	ST
16	5.481-052.0	Lever	1.000	ST
17	6.391-417.0	Hose assembly standard DN6 25MPa 15m	1.000	ST
	<b>Item text1:</b> 1.064-002.0			
18	4.363-691.0	O-Ring seal kpl. -nur fuer Ersatz-	3.000	ST
19	6.391-238.0	Hose assembly standard DN6 25MPa 10m	1.000	ST
	<b>Item text1:</b> 1.064-001.0 /-008.0			
20	2.880-990.0	Spare part set O-Ring 5x -Kaercher	1.000	ST
21	4.363-691.0	O-Ring seal kpl. -nur fuer Ersatz-	1.000	ST