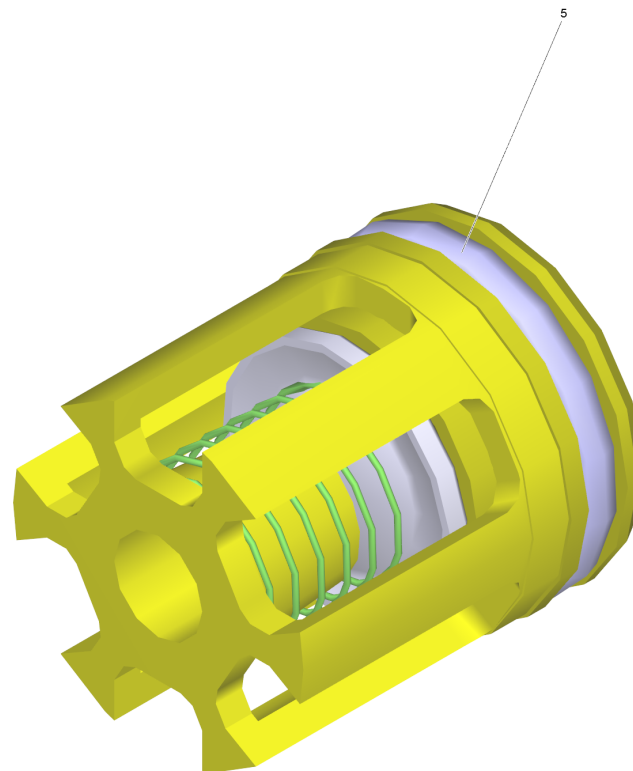


32 Valve (3 Stueck) (2.884-512.0)

Professional \ High pressure cleaner hotwater \ Electric motor \ HDS 558 C *EU \ Spare parts list HDS 558 C \ Pump set \ Cylinder head \ Valve (3 Stueck)



32 Valve (3 Stueck) (2.884-512.0)

Professional \ High pressure cleaner hotwater \ Electric motor \ HDS 558 C *EU \ Spare parts list HDS 558 C \ Pump set \ Cylinder head \ Valve (3 Stueck)



POS	Article no.	Description	Quantity	Unit
5	6.363-003.0	O-Ring seal 13,0 X 2,0-NBR 90	1	PC