

## **Spare parts list**

(1.520-141.0) HD 5/15 CX Plus\*EU

## Table of contents

---

HD 5/15 CX Plus*EU (1.520-141.0)	4
Spare parts list high-pressure 5/15 CX P (5.972-473.0)	5
10 Housing	6
11 Housing	7
12 Hand grip and wheels	9
13 Hose reel	11
3 Set (4.515-104.0)	13
20 Pump set	15
21 Cylinder head	16
1 Control piston complete replacement (2.885-408.0)	18
10 Cylinder head complete brass (4.550-942.0)	21
17 Valve pin complete (4.584-022.0)	23
19 Nozzle insert (4.769-035.0)	25
22 Plug complete (4.580-702.0)	27
100 Pump set HDC (2.885-377.0)	30
11 Valve pin complete (4.584-022.0)	32
22 Piston guidance	34
5 Piston guidance for replacement (2.060-000.0)	36
30 Motor	38
7 Motor for replacement HD 5/17 (4.624-227.0)	40
40 Accessories	42
41 Hand trigger gun	43
1 HAND TRIGGER GUN EASY PRESS (4.775-463.0)	45
9002 Lever complete (4.481-209.0)	47
4 Lever complete (4.481-209.0)	49
41 Hand trigger gun	51
4 Lever complete (4.481-209.0)	53
42 High pressure hose	55
43 Jet pipe	57
1 Jet pipe packaged only for replacement (4.760-663.0)	59
44 Triple jet nozzle	61
Triple jet nozzle only for replacement 0	63
2 Spare parts list triple jet nozzle (5.970-837.0)	64
10 Triple jet nozzle plastics	65
20 Triple jet nozzle brass	67
45 Dirt blaster	69
50 Electric box	71
1 Spare parts set electric box complete HD (2.885-375.0)	73

9 Cable with plug \*EU (6.650-201.0)

75

HD 5/15 CX Plus\*EU (1.520-141.0)

---

<b>POS</b>	<b>Article no.</b>	<b>Description</b>	<b>Quantity</b>	<b>Unit</b>
0	5.972-473.0	Spare parts list high-pressure 5/15 CX P	1.000	ST

Spare parts list high-pressure 5/15 CX P (5.972-473.0)

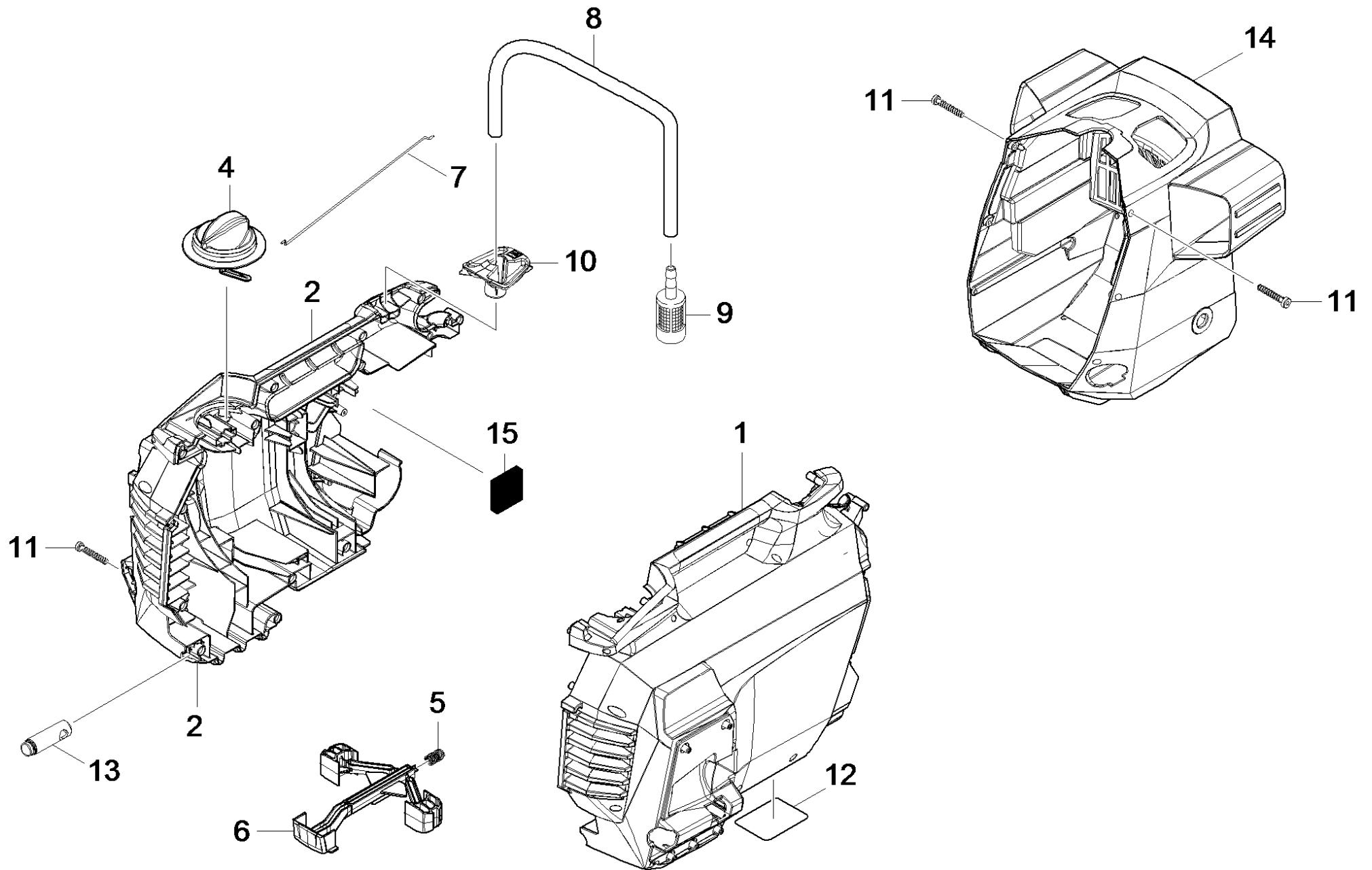
---

<b>POS</b>	<b>Description</b>	<b>Quantity</b>	<b>Unit</b>
40	Accessories	1.000	ST
50	Electric box	1.000	ST
10	Housing	1.000	ST
30	Motor	1.000	ST
20	Pump set	1.000	ST

## 10 Housing

---

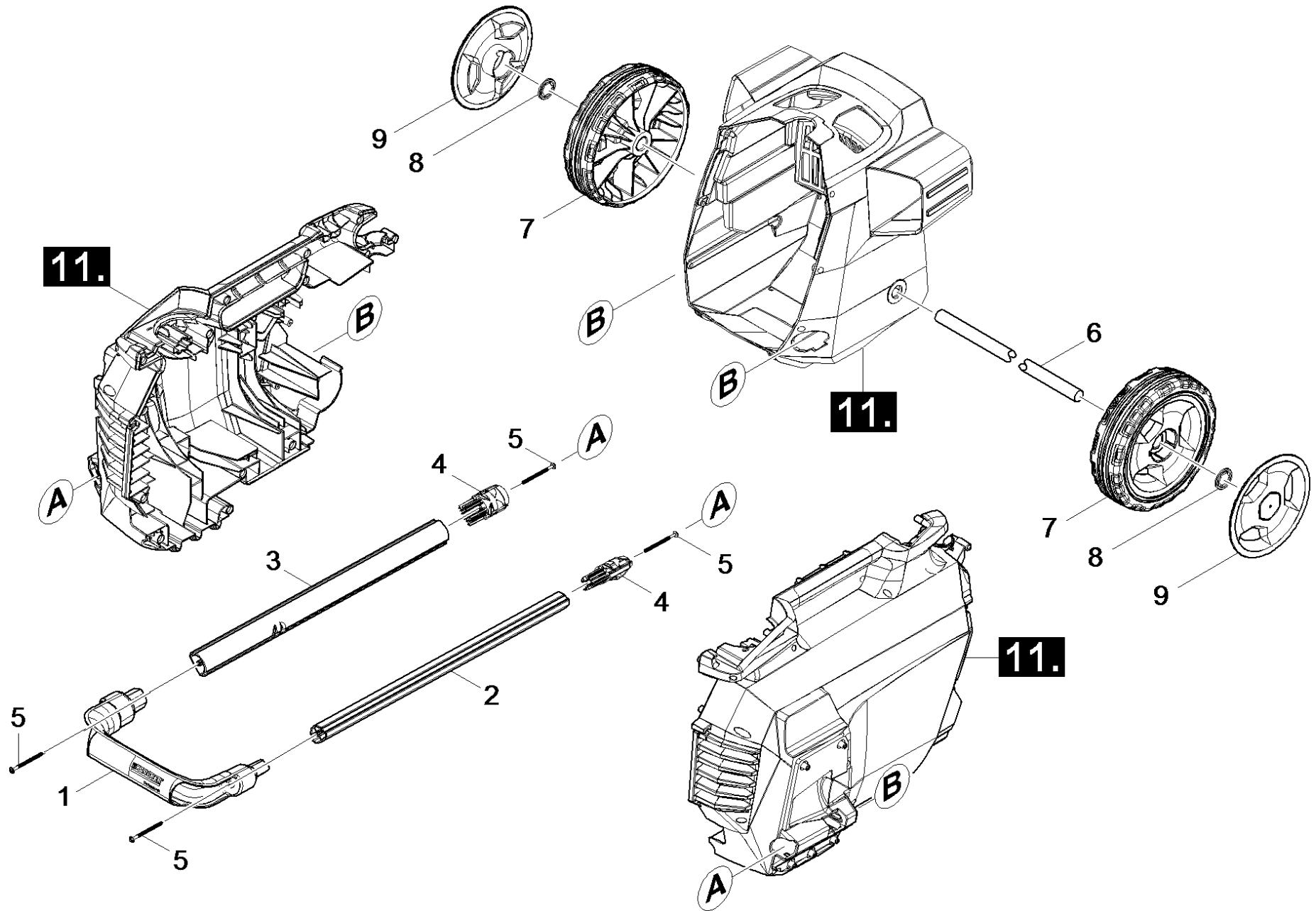
<b>POS</b>	<b>Description</b>	<b>Quantity</b>	<b>Unit</b>
12	Hand grip and wheels	1.000	ST
13	Hose reel	1.000	ST
11	Housing	1.000	ST



## 11 Housing

POS	Article no.	Description	Quantity	Unit	Foot note text
10	5.645-841.0	Cover cleaning agents	1.000	ST	
9	4.862-225.0	Filter chemistry regulation	1.000	ST	
4	4.324-057.0	Handle complete	1.000	ST	
5	5.332-001.0	Helical spring	1.000	ST	
3	5.645-709.0	Holder jet pipe	1.000	ST	
8	6.388-216.0	Hose DN 5	1.000	M	TO ORDER AS CUT GOODS
2	5.645-878.0	Housing above right HD-C	1.000	ST	
14	5.645-653.0	Housing bottom X	1.000	ST	
1	5.645-651.3	Housing left for replacement	1.000	ST	
6	5.645-675.0	Locking part	1.000	ST	
13	5.645-852.0	Retainer accessories	1.000	ST	
11	6.303-566.0	Screw 4,2x22 R2R	18.000	ST	
15	6.273-135.0	Sealing strip	1.000	ST	
7	5.107-313.0	Switch rod	1.000	ST	
12	5.387-620.0	Warning sticker-Prevent from freezing	1.000	ST	

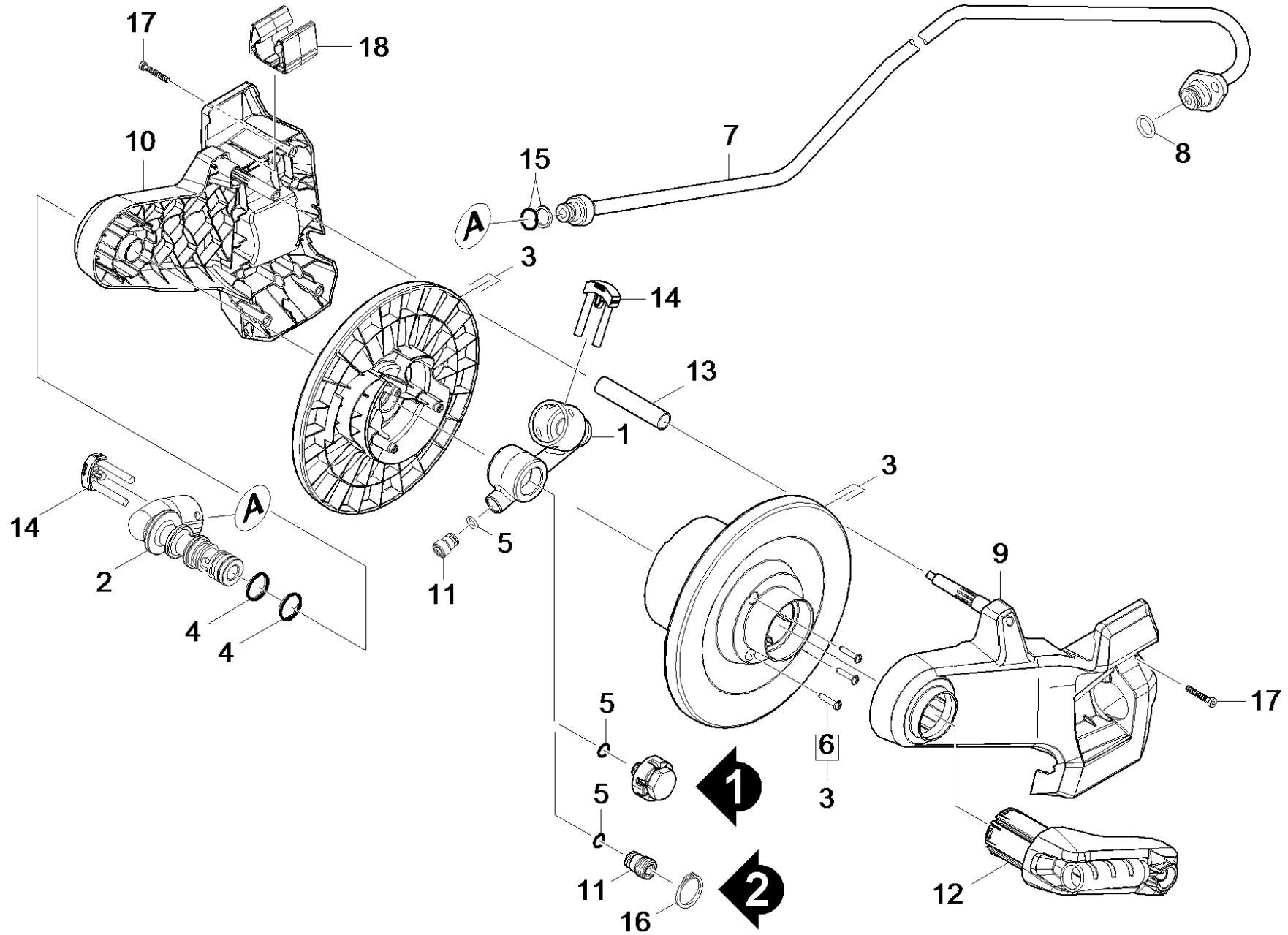




## 12 Hand grip and wheels

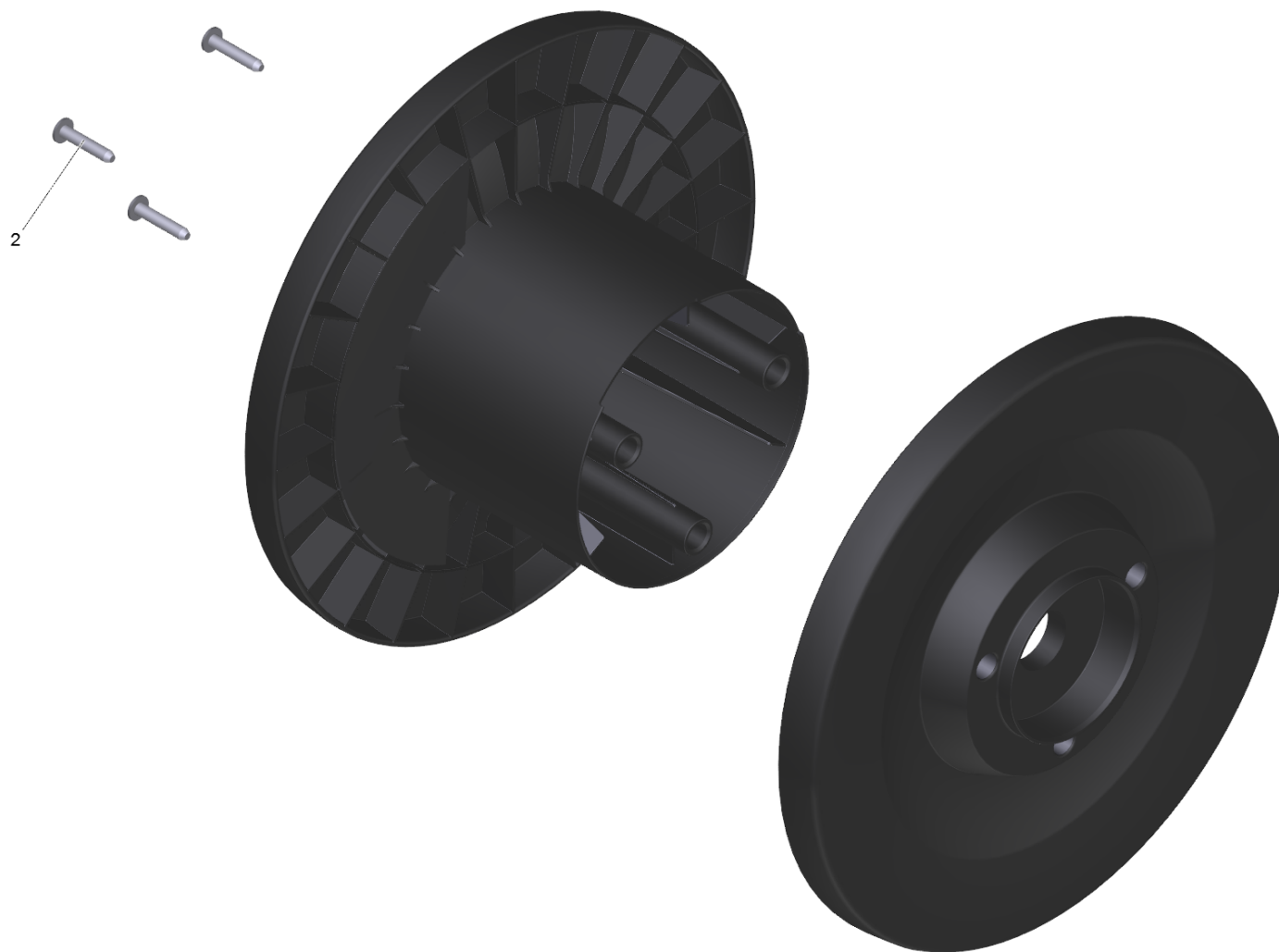
---

<b>POS</b>	<b>Article no.</b>	<b>Description</b>	<b>Quantity</b>	<b>Unit</b>
6	5.105-399.0	Axle	1.000	ST
4	5.645-676.0	End piece locking part	2.000	ST
1	5.324-161.0	Hand grip	1.000	ST
8	6.343-168.0	Lock washer	2.000	ST
5	6.303-562.0	Saucer-head screw D4x55	4.000	ST
2	5.645-674.0	Tube left Trolley	1.000	ST
3	5.645-853.0	Tube right Trolley	1.000	ST
9	5.515-386.0	Wheel cap large RAL 7012	2.000	ST
7	5.515-395.0	Wheel D180	2.000	ST



## 13 Hose reel

POS	Article no.	Description	Quantity	Unit
11	5.411-161.0	CLOSING SCREW M10X1	1.000	ST
12	4.481-302.0	Crank complete	1.000	ST
9	5.646-029.0	Holder hose reel links	1.000	ST
10	5.646-030.0	Holder hose reel rechts	1.000	ST
18	5.645-709.0	Holder jet pipe	1.000	ST
14	4.037-013.0	Hook	2.000	ST
16	7.343-018.0	Locking ring 18x1,2-Rf-St DIN 471	1.000	ST
2	5.427-467.0	Manifold	1.000	ST
1	5.427-326.0	Manifold	1.000	ST
8	6.362-151.0	O-Ring d. 10 x 2 NBR 70	1.000	ST
5	6.362-703.0	O-Ring seal 6,0x1,5-NBR 70	3.000	ST
15	4.363-691.0	O-Ring seal kpl. -nur fuer Ersatz-	1.000	ST
4	4.363-693.0	O-Ring seal kpl. -nur fuer Ersatz-	2.000	ST
7	4.423-016.0	Pipelines complete	1.000	ST
17	6.303-566.0	Screw 4,2x22 R2R	9.000	ST
6	6.303-200.0	Screw 5x25-IN6RD	3.000	ST
3	4.515-104.0	Set	1.000	ST
13	5.036-724.0	Sleeve	1.000	ST



3 Set (4.515-104.0)

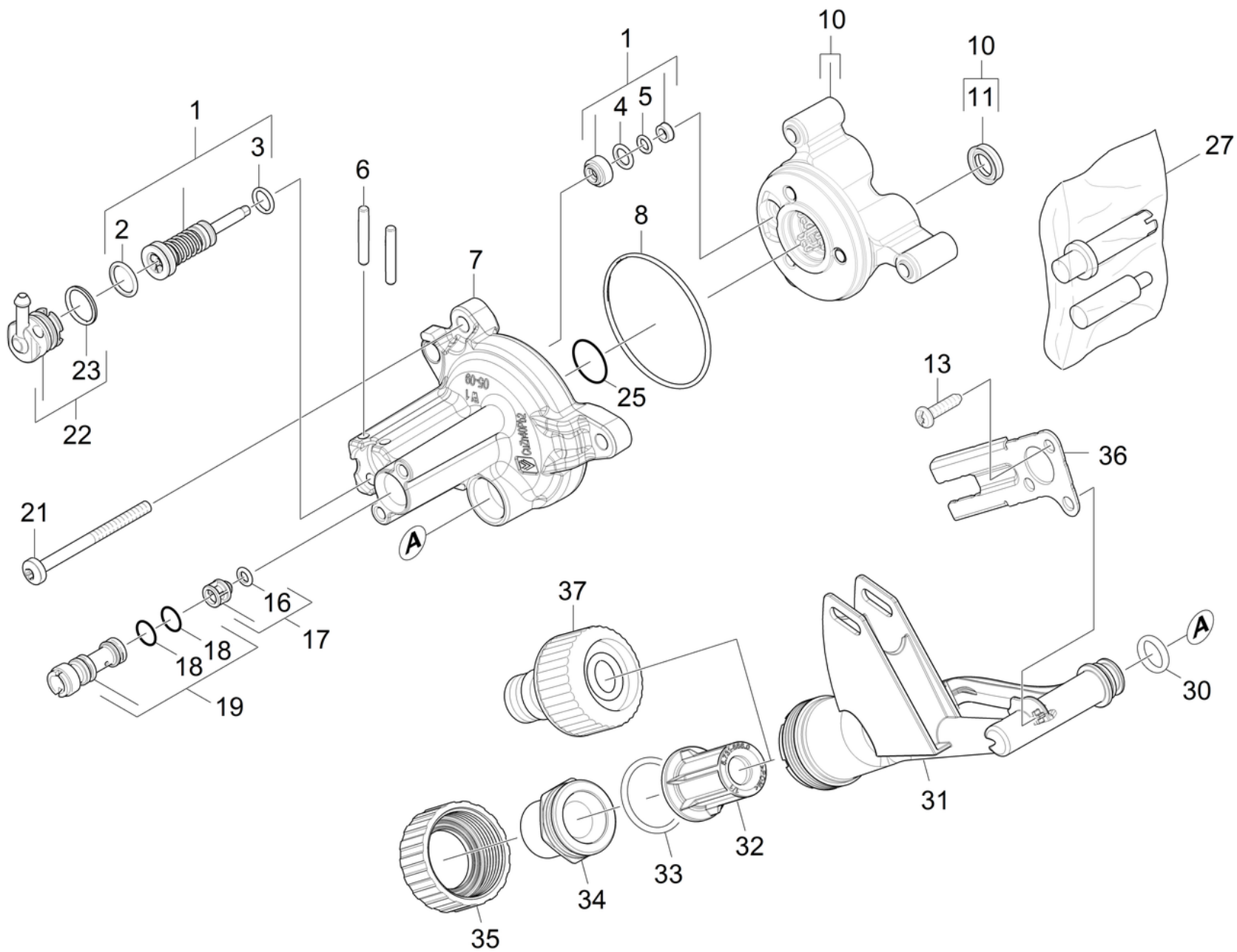
---

POS	Article no.	Description	Quantity	Unit
2	6.303-200.0	Screw 5x25-IN6RD	3.000	ST

## 20 Pump set

---

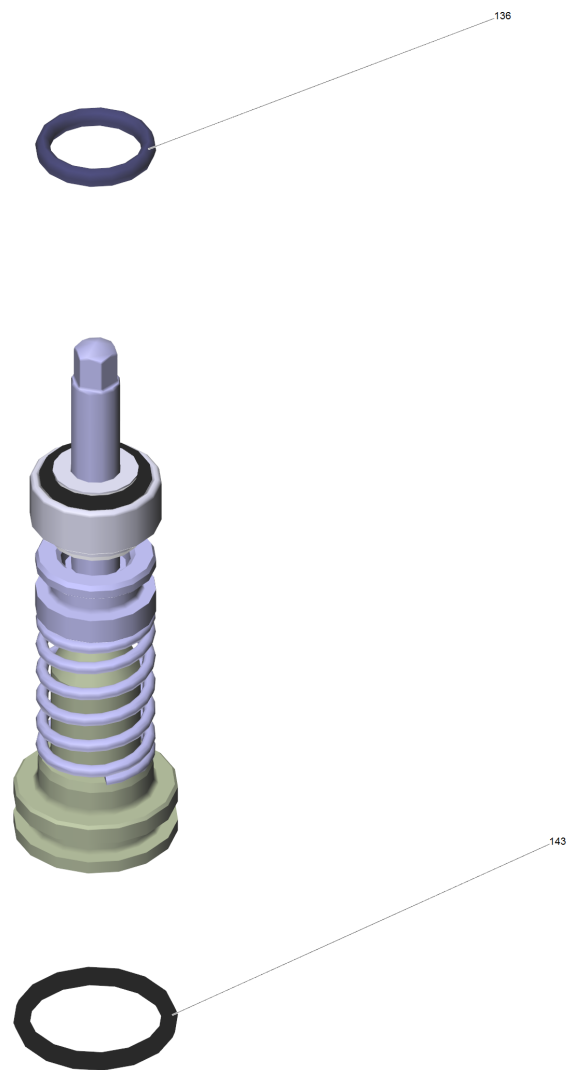
<b>POS</b>	<b>Description</b>	<b>Quantity</b>	<b>Unit</b>
21	Cylinder head	1.000	ST
22	Piston guidance	1.000	ST

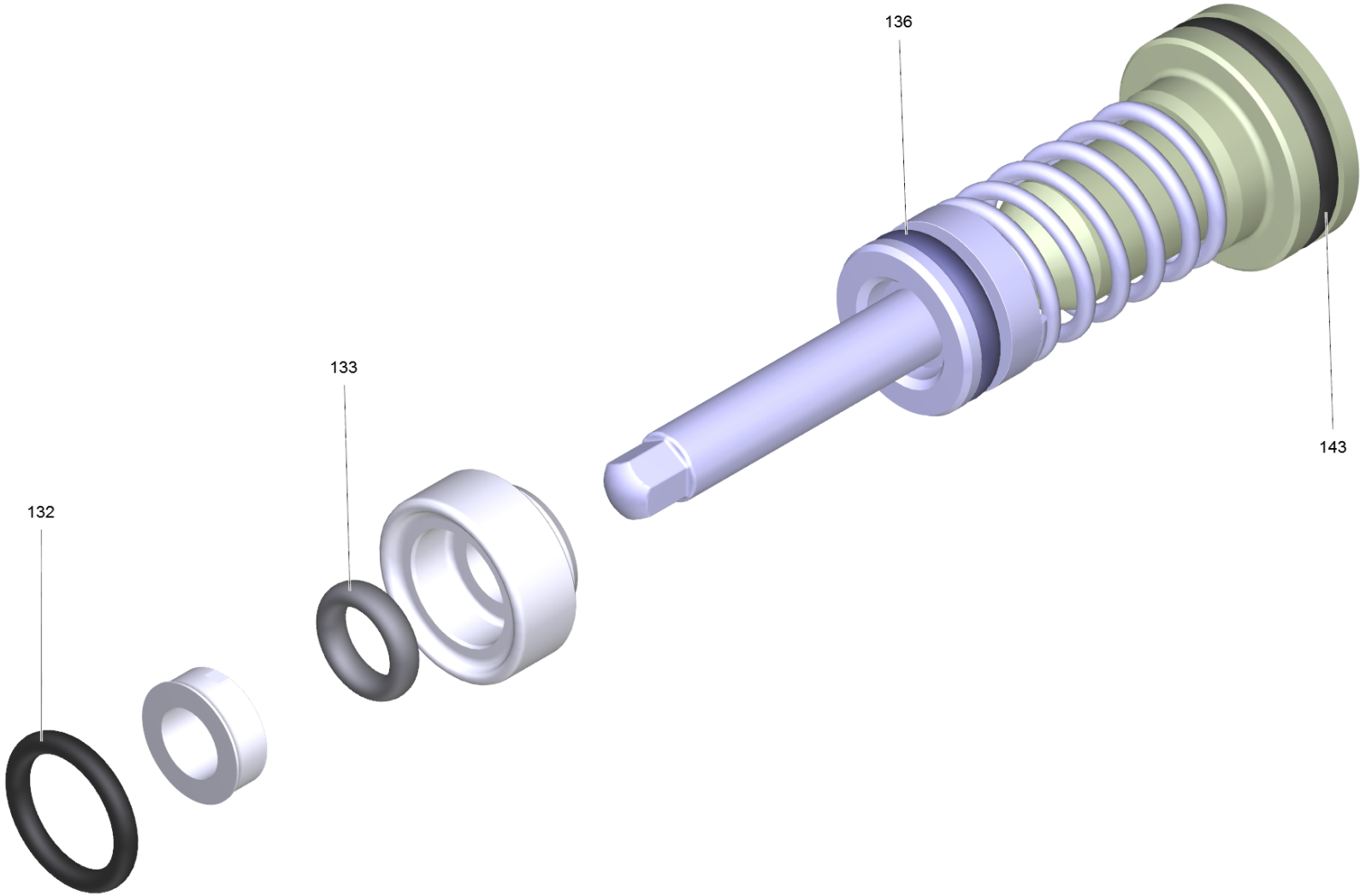




## 21 Cylinder head

POS	Article no.	Description	Quantity	Unit
34	5.064-423.0	Connection piece water intake	1.000	ST
1	2.885-408.0	Control piston complete replacement	1.000	ST
10	4.550-942.0	Cylinder head complete brass	1.000	ST
32	5.731-666.0	Filter cartridge with cone	1.000	ST
11	6.363-435.0	Grooved ring 12x17x4,25/2,5	3.000	ST
7	5.062-390.0	Housing HD-C	1.000	ST
19	4.769-035.0	Nozzle insert	1.000	ST
35	5.064-465.0	Nut water intake	1.000	ST
16	6.363-613.0	O-Ring seal 4 x 2 -NBR90	1.000	ST
5	6.362-486.0	O-Ring seal 4,7 X 1,9 -NBR 70	1.000	ST
4	6.362-101.0	O-Ring seal 8 X 2	1.000	ST
3	6.363-614.0	O-Ring seal 9 x 2 -NBR90	1.000	ST
18	6.362-384.0	O-Ring seal 9x1,5 - NBR 70	2.000	ST
30	6.363-610.0	O-Ring seal 13 x 3 -NBR	1.000	ST
2	6.362-381.0	O-Ring seal 13x2 - NBR 70	1.000	ST
23	6.362-030.0	O-Ring seal 15x2 90 Shore IRHD	1.000	ST
25	6.362-562.0	O-Ring seal 21,95X 1,78-NBR 90	1.000	ST
33	6.363-437.0	O-Ring seal 30x3	1.000	ST
8	6.363-616.0	O-Ring seal 60,0x2,0 -NBR70	1.000	ST
6	5.314-150.0	Pin	2.000	ST
22	4.580-702.0	Plug complete	1.000	ST
36	5.095-519.0	Positioning water intake	1.000	ST
100	2.885-377.0	Pump set HDC	1.000	ST
13	7.306-092.0	Screw M6x20-ST- 8.8-R3R (IN6RD)	2.000	ST
21	7.306-268.0	Screw M6x70 -8.8-R3R (In6Rd)	3.000	ST
27	2.901-049.0	Set from valve retainer and drive-in man	1.000	ST
37	2.645-010.0	Tap adaptor for inhouse fittings	1.000	ST
	<b>Item text1:</b> 1.520-133.0			
31	5.443-672.0	Tube water intake	1.000	ST
17	4.584-022.0	Valve pin complete	1.000	ST

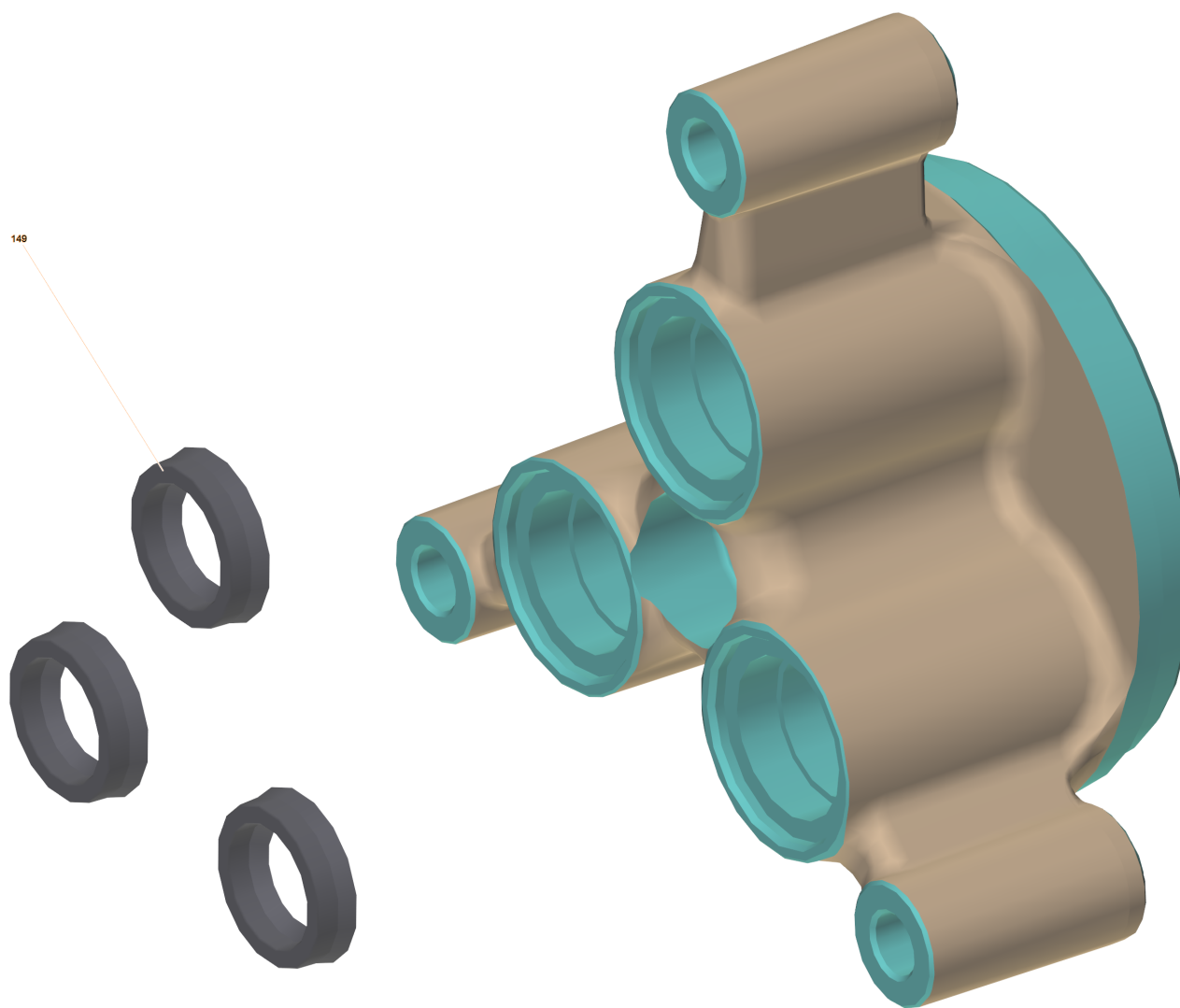




## 1 Control piston complete replacement (2.885-408.0)

---

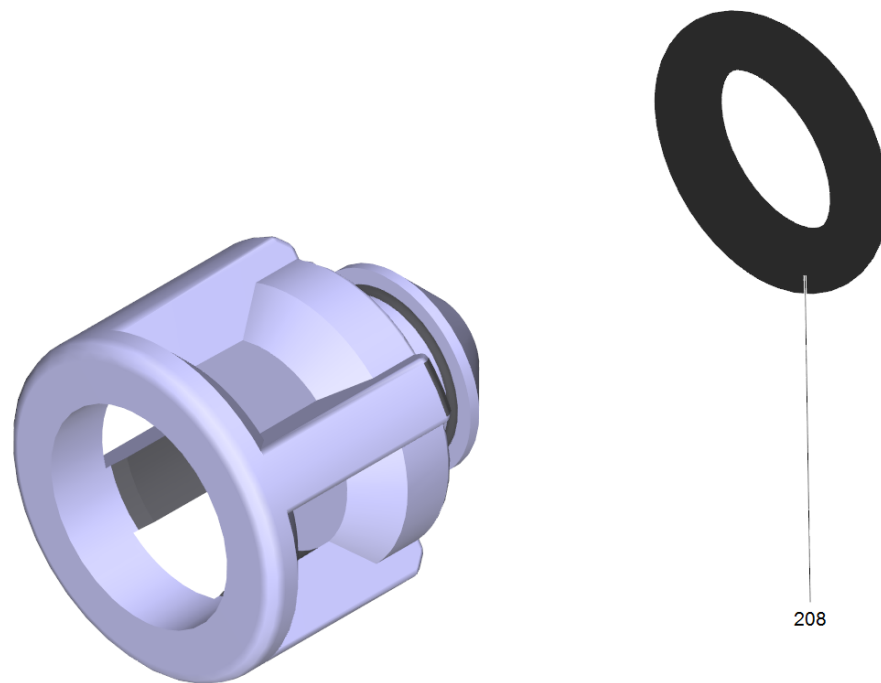
<b>POS</b>	<b>Article no.</b>	<b>Description</b>	<b>Quantity</b>	<b>Unit</b>
133	6.363-606.0	O-Ring seal 4,7 x 1,9 -NBR70	1.000	ST
132	6.362-101.0	O-Ring seal 8 X 2	1.000	ST
136	6.363-614.0	O-Ring seal 9 x 2 -NBR90	1.000	ST
143	6.362-381.0	O-Ring seal 13x2 - NBR 70	1.000	ST



10 Cylinder head complete brass (4.550-942.0)

---

POS	Article no.	Description	Quantity	Unit
149	6.363-435.0	Grooved ring 12x17x4,25/2,5	3.000	ST



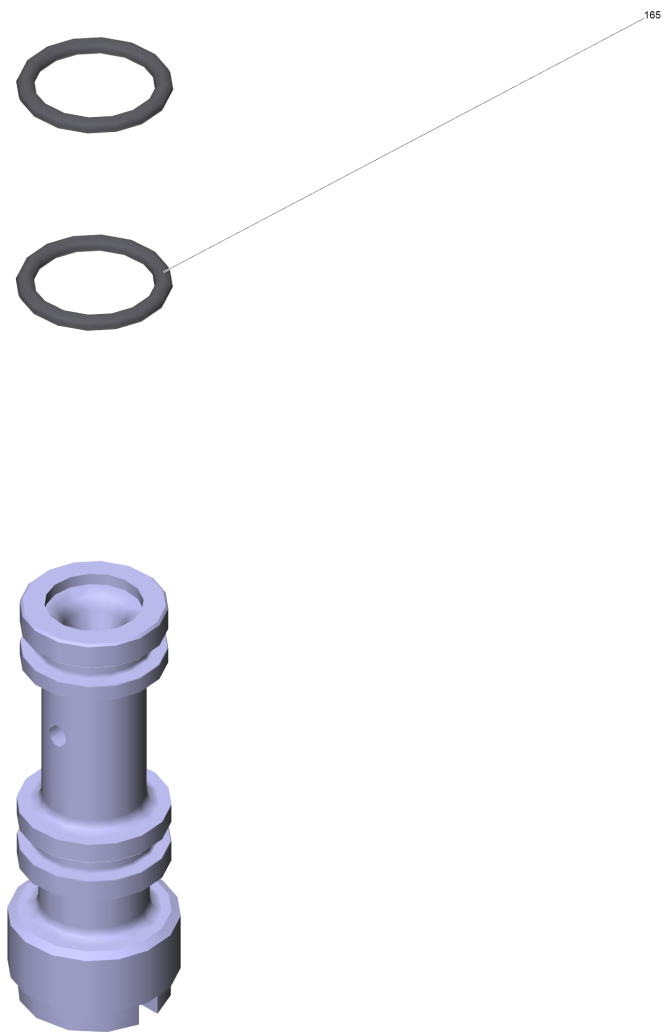
208

17 Valve pin complete (4.584-022.0)

---

<b>POS</b>	<b>Article no.</b>	<b>Description</b>	<b>Quantity</b>	<b>Unit</b>
208	6.363-613.0	O-Ring seal 4 x 2 -NBR90	1.000	ST



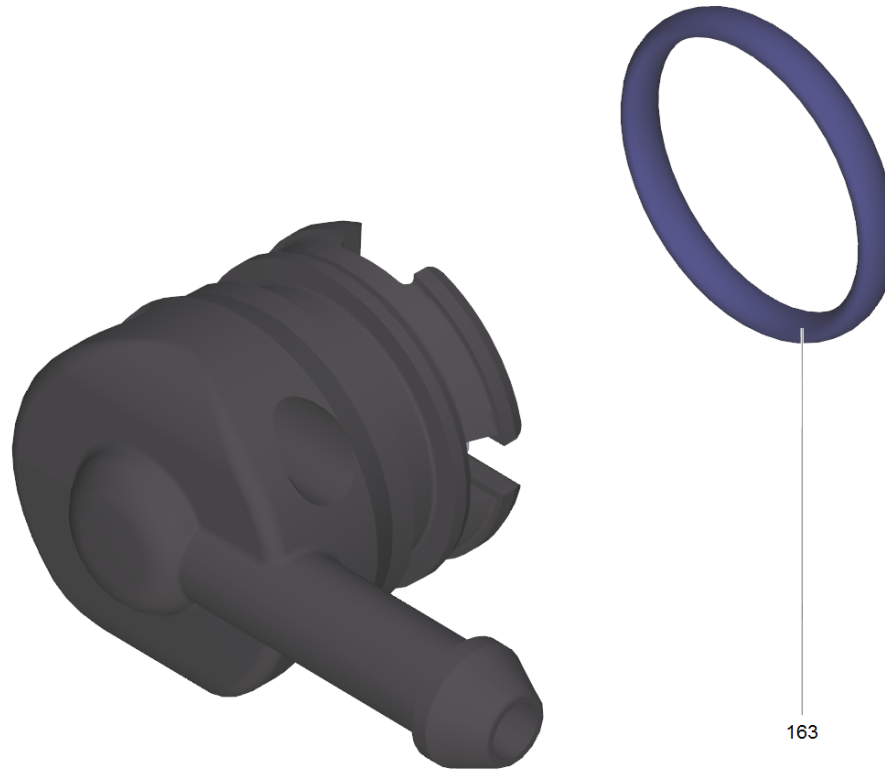


19 Nozzle insert (4.769-035.0)

---

<b>POS</b>	<b>Article no.</b>	<b>Description</b>	<b>Quantity</b>	<b>Unit</b>
165	6.362-384.0	O-Ring seal 9x1,5 - NBR 70	2.000	ST

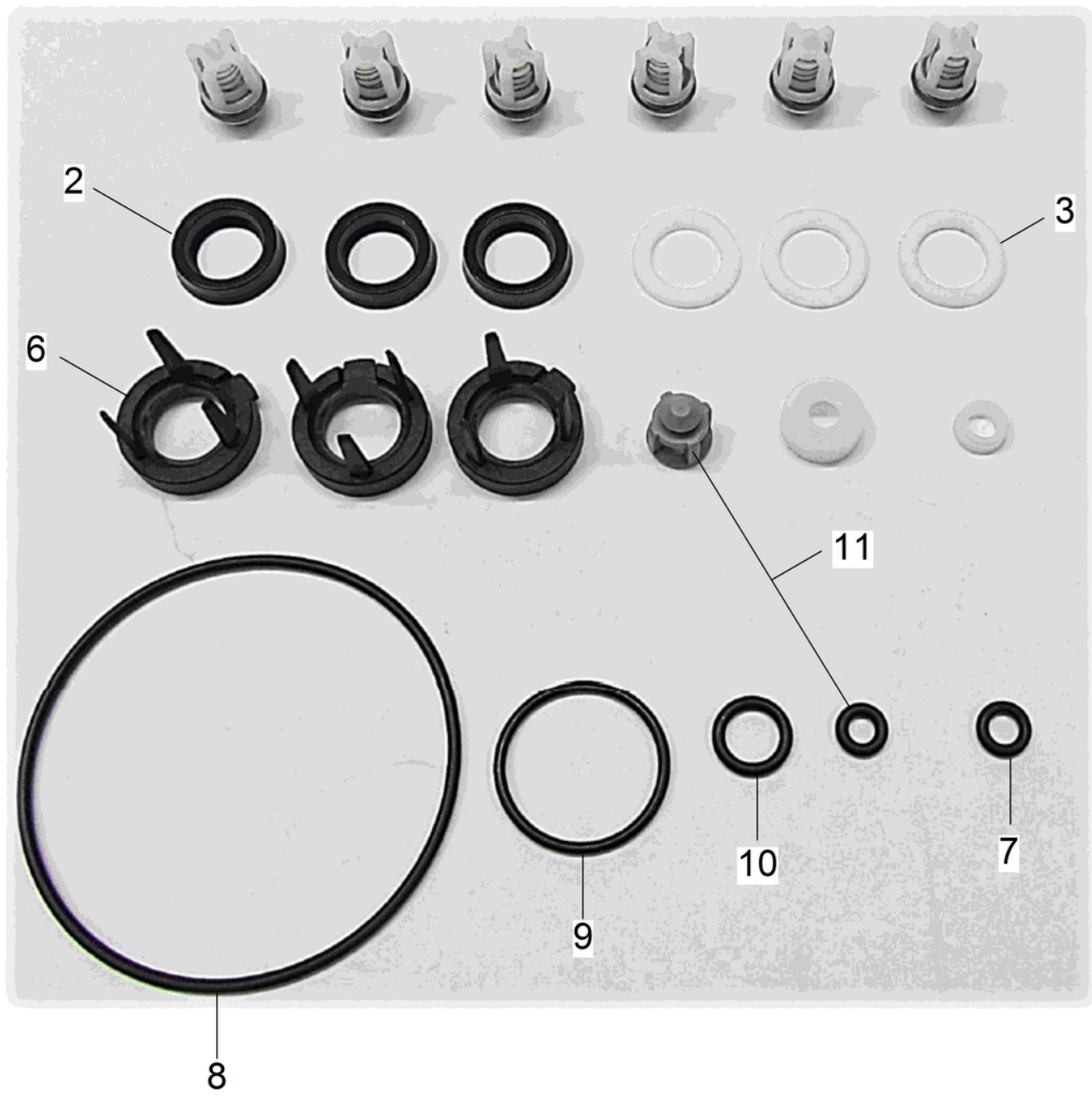




22 Plug complete (4.580-702.0)

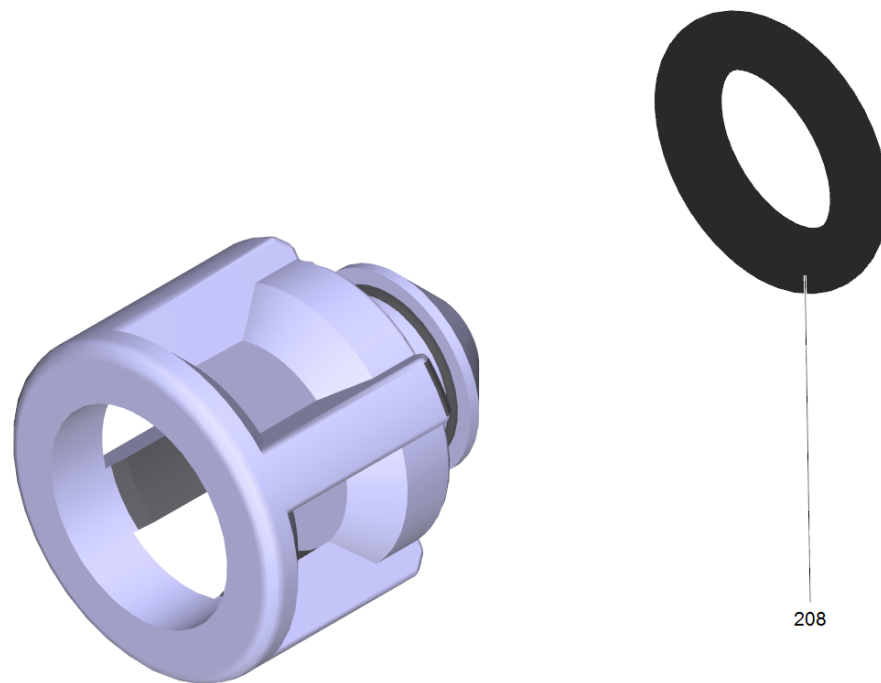
---

<b>POS</b>	<b>Article no.</b>	<b>Description</b>	<b>Quantity</b>	<b>Unit</b>
163	6.362-030.0	O-Ring seal 15x2 90 Shore IRHD	1.000	ST



100 Pump set HDC (2.885-377.0)

POS	Article no.	Description	Quantity	Unit
2	6.363-435.0	Grooved ring 12x17x4,25/2,5	3.000	ST
7	6.363-606.0	O-Ring seal 4,7 x 1,9 -NBR70	1.000	ST
10	6.362-101.0	O-Ring seal 8 X 2	1.000	ST
9	6.362-562.0	O-Ring seal 21,95X 1,78-NBR 90	1.000	ST
8	6.363-616.0	O-Ring seal 60,0x2,0 -NBR70	1.000	ST
6	5.116-381.0	Supporting disk	3.000	ST
11	4.584-022.0	Valve pin complete	1.000	ST
3	5.116-380.0	Washer piston guidance	3.000	ST

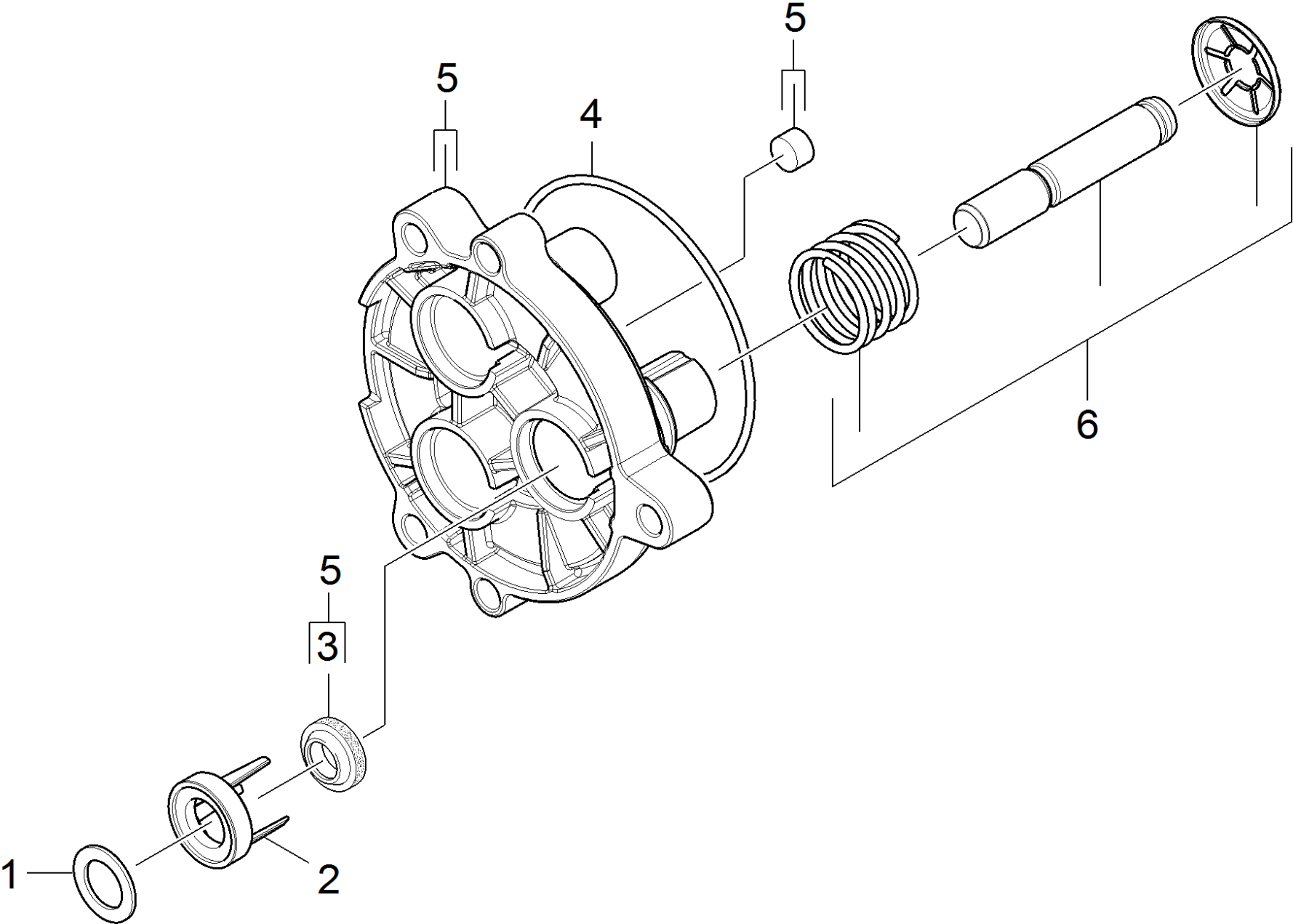




11 Valve pin complete (4.584-022.0)

---

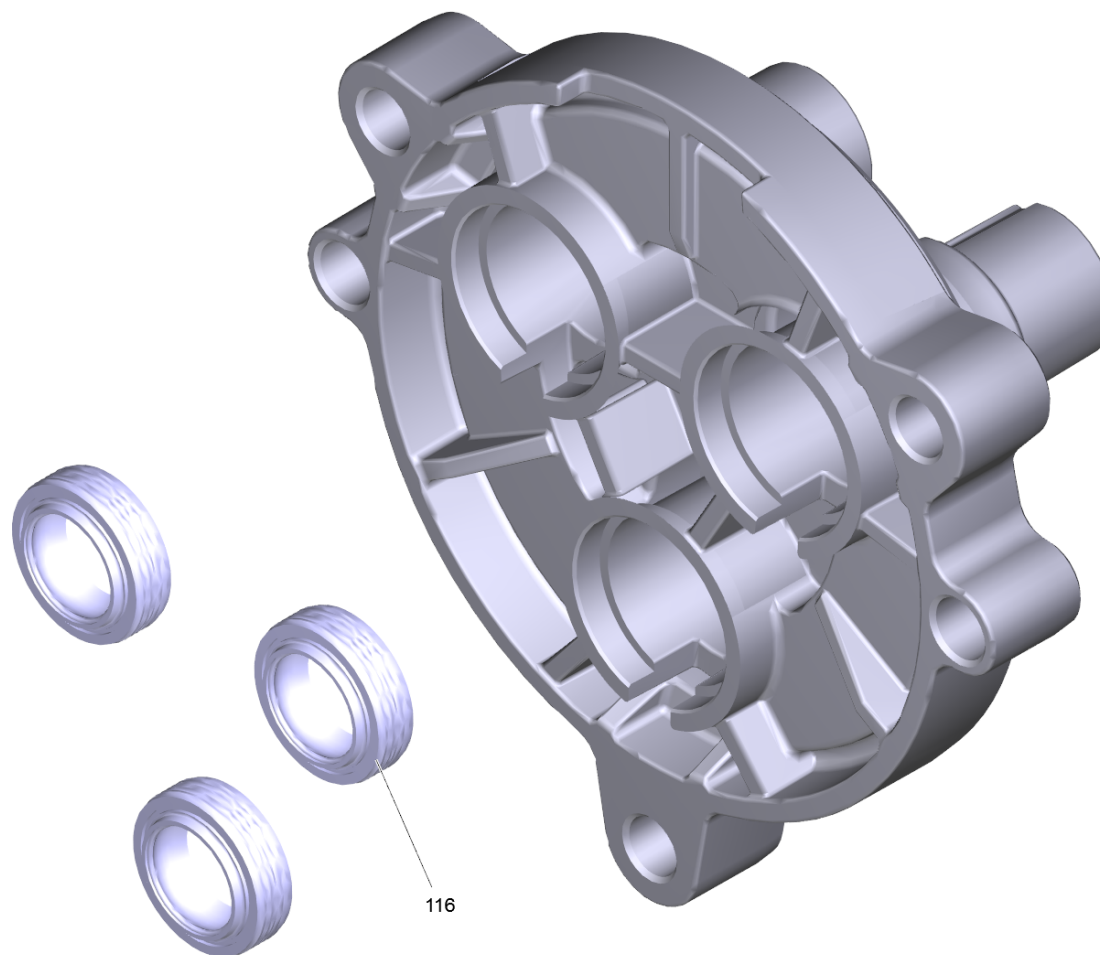
<b>POS</b>	<b>Article no.</b>	<b>Description</b>	<b>Quantity</b>	<b>Unit</b>
208	6.363-613.0	O-Ring seal 4 x 2 -NBR90	1.000	ST



## 22 Piston guidance

---

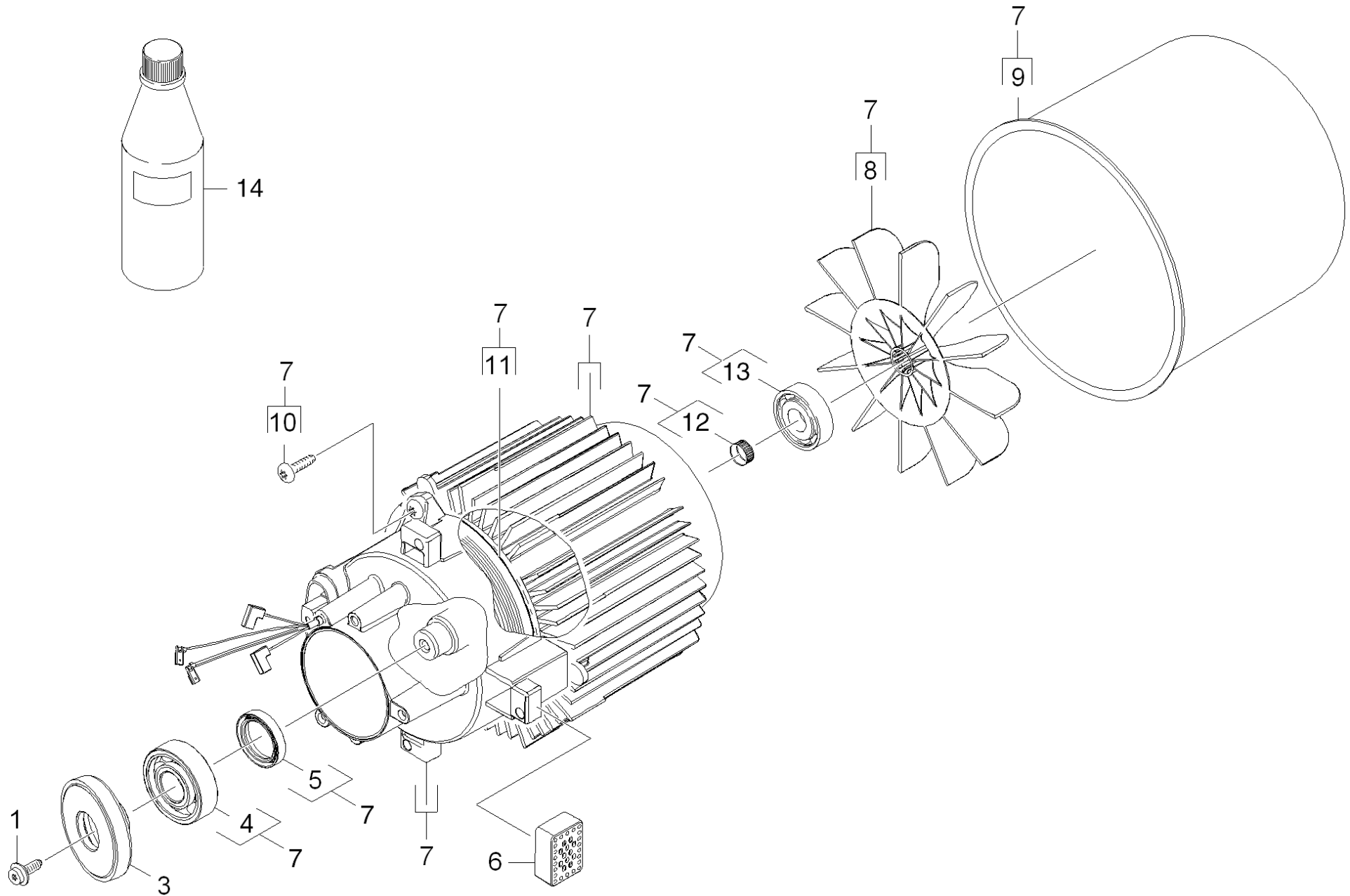
<b>POS</b>	<b>Article no.</b>	<b>Description</b>	<b>Quantity</b>	<b>Unit</b>
3	6.363-633.0	Grooved ring 12x18x6/5/1	3.000	ST
4	6.363-449.0	O-Ring seal 72x2 -NBR70	1.000	ST
6	4.553-319.0	Piston complete	3.000	ST
5	2.060-000.0	Piston guidance for replacement	1.000	ST
2	5.116-381.0	Supporting disk	3.000	ST
1	5.116-380.0	Washer piston guidance	3.000	ST



5 Piston guidance for replacement (2.060-000.0)

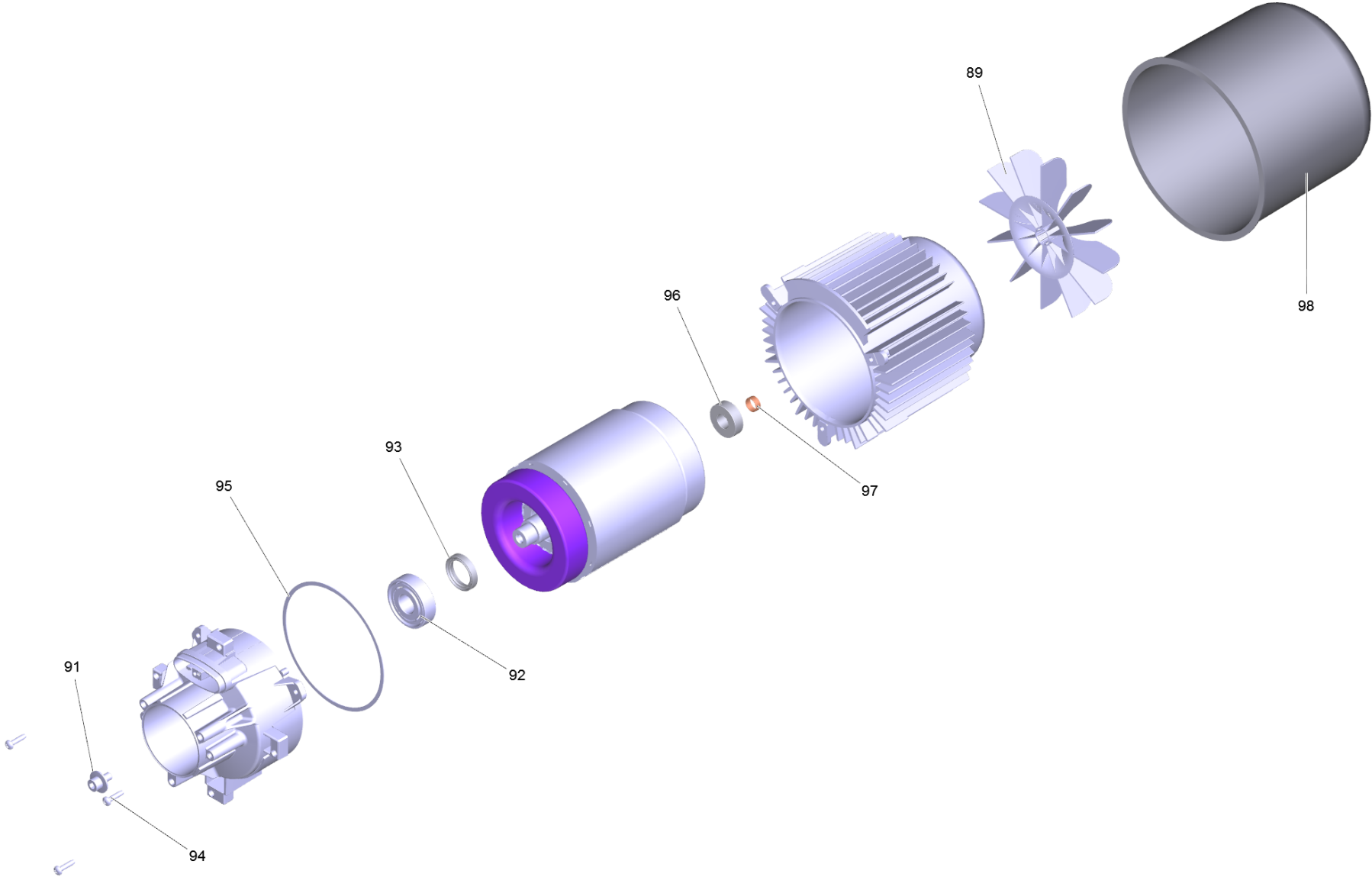
---

<b>POS</b>	<b>Article no.</b>	<b>Description</b>	<b>Quantity</b>	<b>Unit</b>
116	6.363-633.0	Grooved ring 12x18x6/5/1	3.000	ST



## 30 Motor

POS	Article no.	Description	Quantity	Unit
9	5.692-102.0	Air circulation	1.000	ST
4	6.401-427.0	Angular contact ball bearing	1.000	ST
13	7.401-128.0	Ball bearing 6202-2RS -Wälzl.St DIN 625	1.000	ST
8	5.600-105.0	Blower wheel	1.000	ST
14	6.288-050.0	Engine oil 1L	1.000	ST
11	5.363-743.0	Joint ring	1.000	ST
7	4.624-227.0	Motor for replacement HD 5/17	1.000	ST
5	7.367-024.0	Radial shaft seal ring A26x37x7 -FKM DIN	1.000	ST
6	5.767-029.0	Rubber buffer	4.000	ST
10	6.303-320.0	Screw M 5x 20-St-R2R	3.000	ST
12	6.343-218.0	Tolerance ring 15x6	1.000	ST
3	4.120-261.0	Wobble plate complete 11°43' (D67)	1.000	ST
1	9.086-169.0	Wobble plate screw M8x16	1.000	ST





## 7 Motor for replacement HD 5/17 (4.624-227.0)

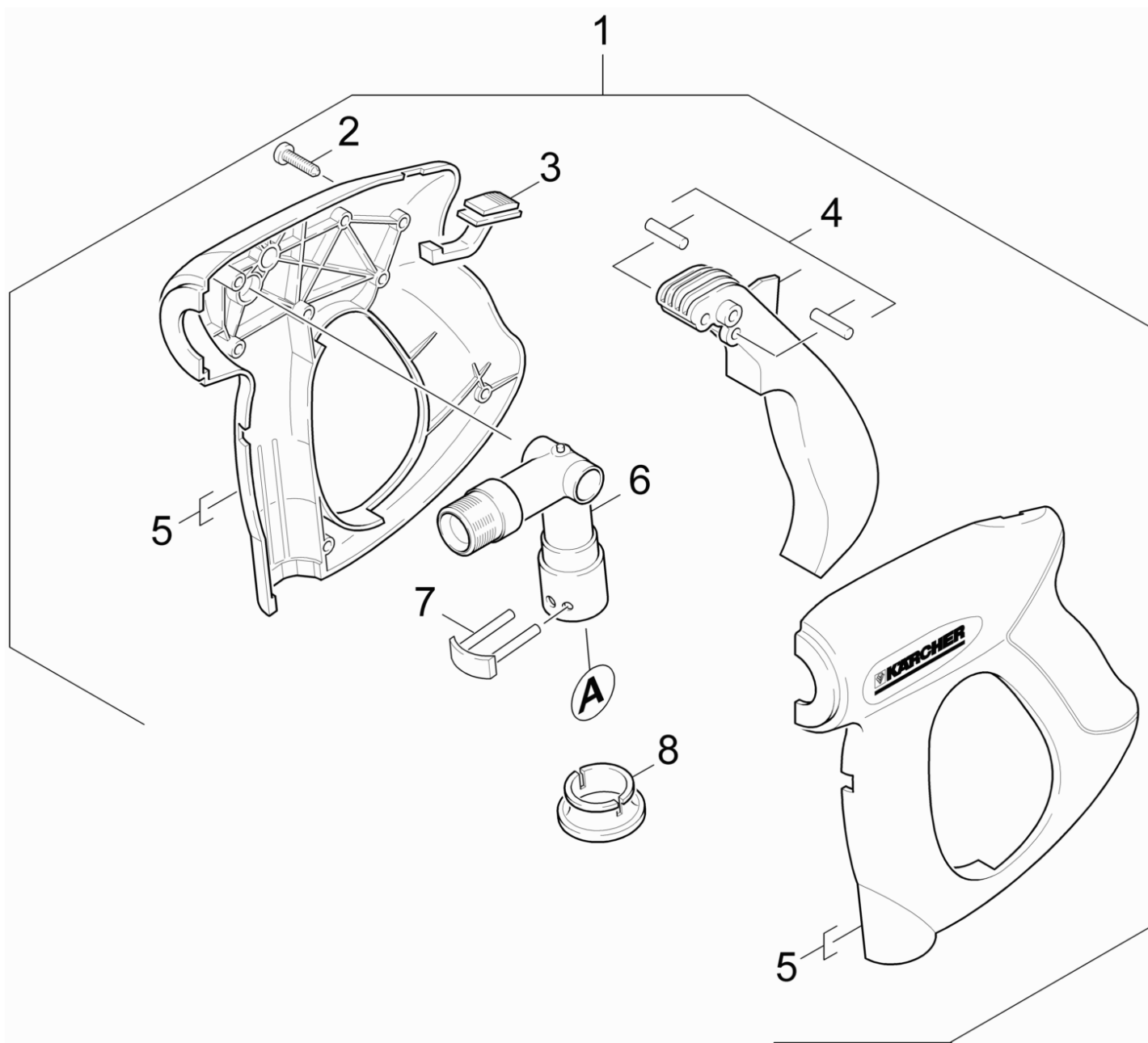
---

<b>POS</b>	<b>Article no.</b>	<b>Description</b>	<b>Quantity</b>	<b>Unit</b>
98	5.692-102.0	Air circulation	1.000	ST
92	6.401-427.0	Angular contact ball bearing	1.000	ST
96	7.401-128.0	Ball bearing 6202-2RS -Wälzl.St DIN 625	1.000	ST
89	5.600-105.0	Blower wheel	1.000	ST
95	5.363-743.0	Joint ring	1.000	ST
93	7.367-024.0	Radial shaft seal ring A26x37x7 -FKM DIN	1.000	ST
94	6.303-320.0	Screw M 5x 20-St-R2R	3.000	ST
97	6.343-218.0	Tolerance ring 15x6	1.000	ST
91	9.086-169.0	Wobble plate screw M8x16	1.000	ST

## 40 Accessories

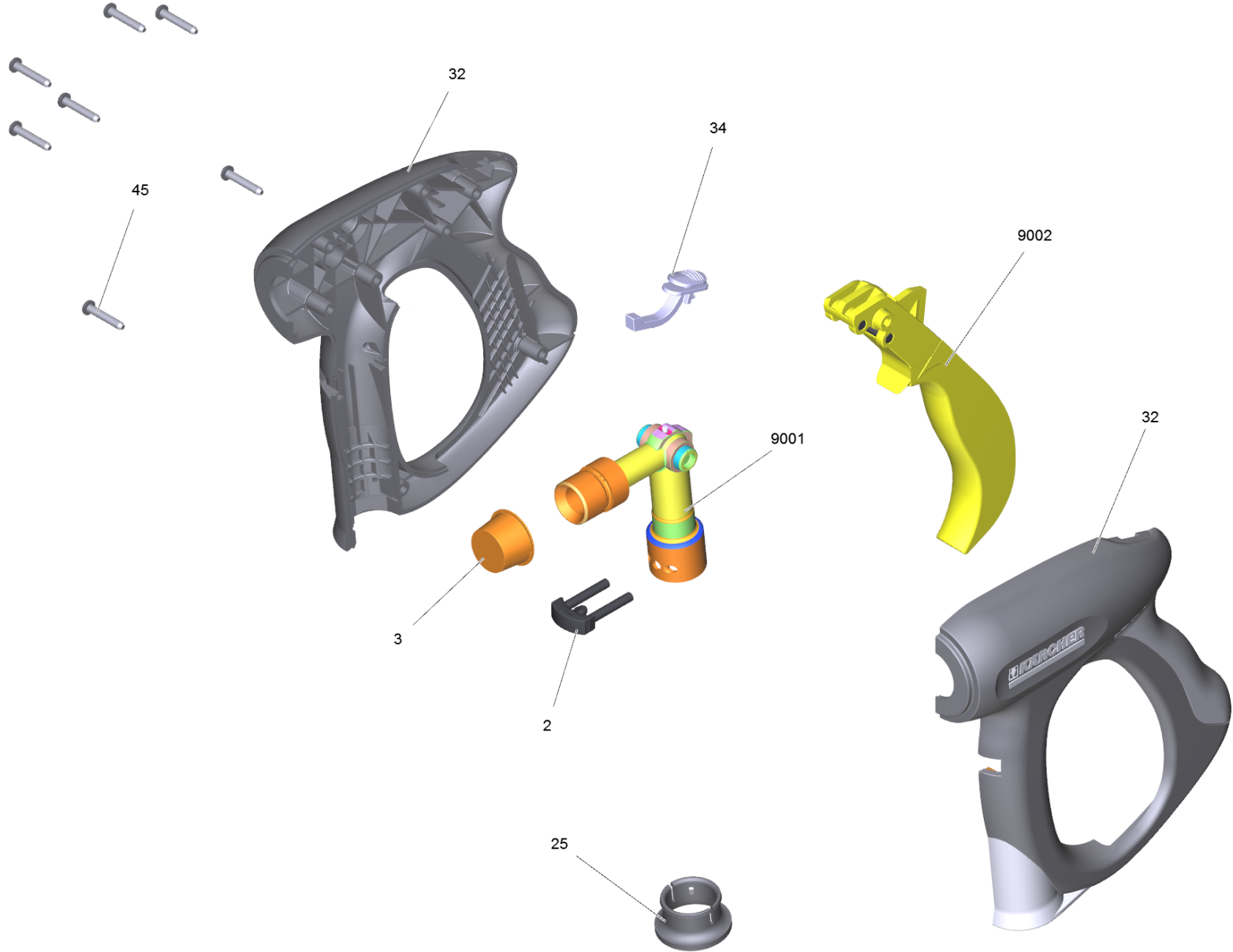
---

<b>POS</b>	<b>Description</b>	<b>Quantity</b>	<b>Unit</b>	<b>Foot note text</b>
45	Dirt blaster	1.000	ST	
41	Hand trigger gun	1.000	ST	
41	Hand trigger gun	1.000	ST	VERSION 1
42	High pressure hose	1.000	ST	
43	Jet pipe	1.000	ST	
44	Triple jet nozzle	1.000	ST	



41 Hand trigger gun

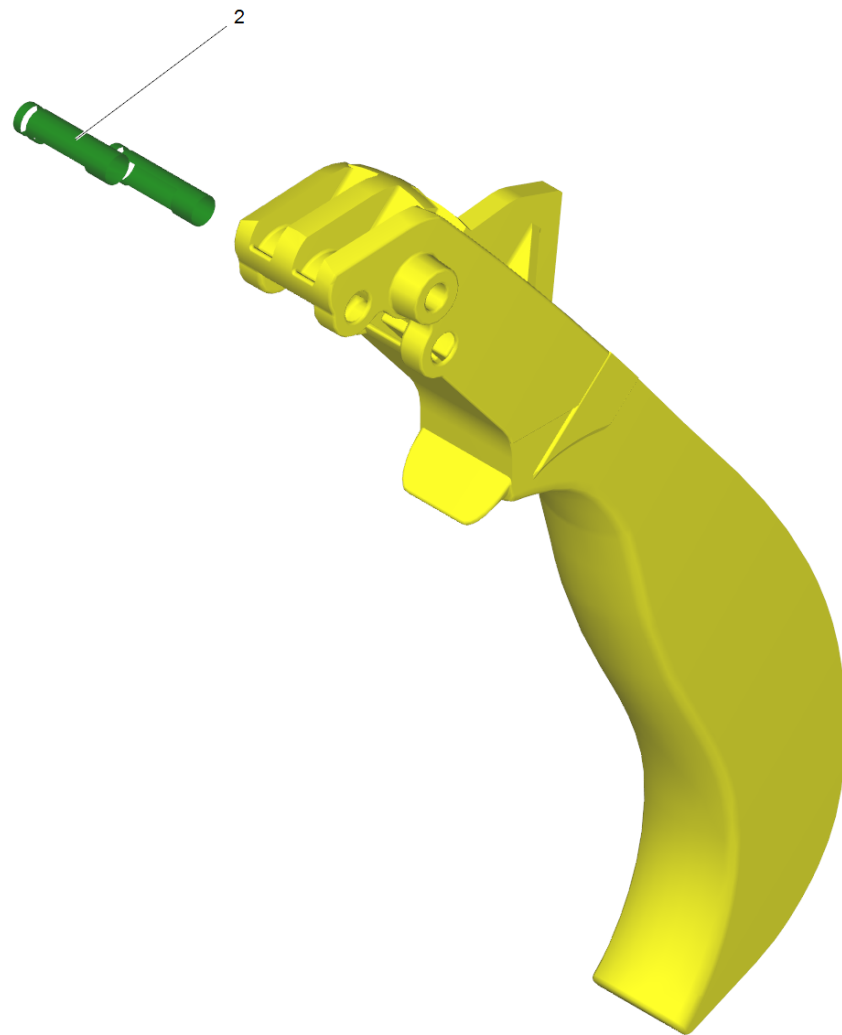
POS	Article no.	Description	Quantity	Unit
5	5.321-669.3	Handhold few	1.000	ST
1	4.775-463.0	HAND TRIGGER GUN EASY PRESS	1.000	ST
7	4.037-013.0	Hook	1.000	ST
4	4.481-209.0	Lever complete	1.000	ST
6	4.427-215.0	Manifold complete only for replacement	1.000	ST
2	7.303-096.0	Screw 4x22 -ST-10.9-R2R (IN6RD)	7.000	ST
8	5.110-596.0	Sleeve	1.000	ST
3	5.481-331.0	Slider	1.000	ST



## 1 HAND TRIGGER GUN EASY PRESS (4.775-463.0)

---

<b>POS</b>	<b>Article no.</b>	<b>Description</b>	<b>Quantity</b>	<b>Unit</b>
32	5.321-669.3	Handhold few	1.000	ST
2	4.037-013.0	Hook	1.000	ST
9002	4.481-209.0	Lever complete	1.000	ST
9001	4.427-215.0	Manifold complete only for replacement	1.000	ST
4	6.869-075.0	Metal bonding agent 1,5 ml	1.000	ST
3	6.368-012.0	Protecting cap 22X1,5	1.000	ST
45	7.303-096.0	Screw 4x22 -ST-10.9-R2R (IN6RD)	7.000	ST
1041	6.288-044.0	Silicon grease 100 G	1.000	ST
25	5.110-596.0	Sleeve	1.000	ST
34	5.481-331.0	Slider	1.000	ST



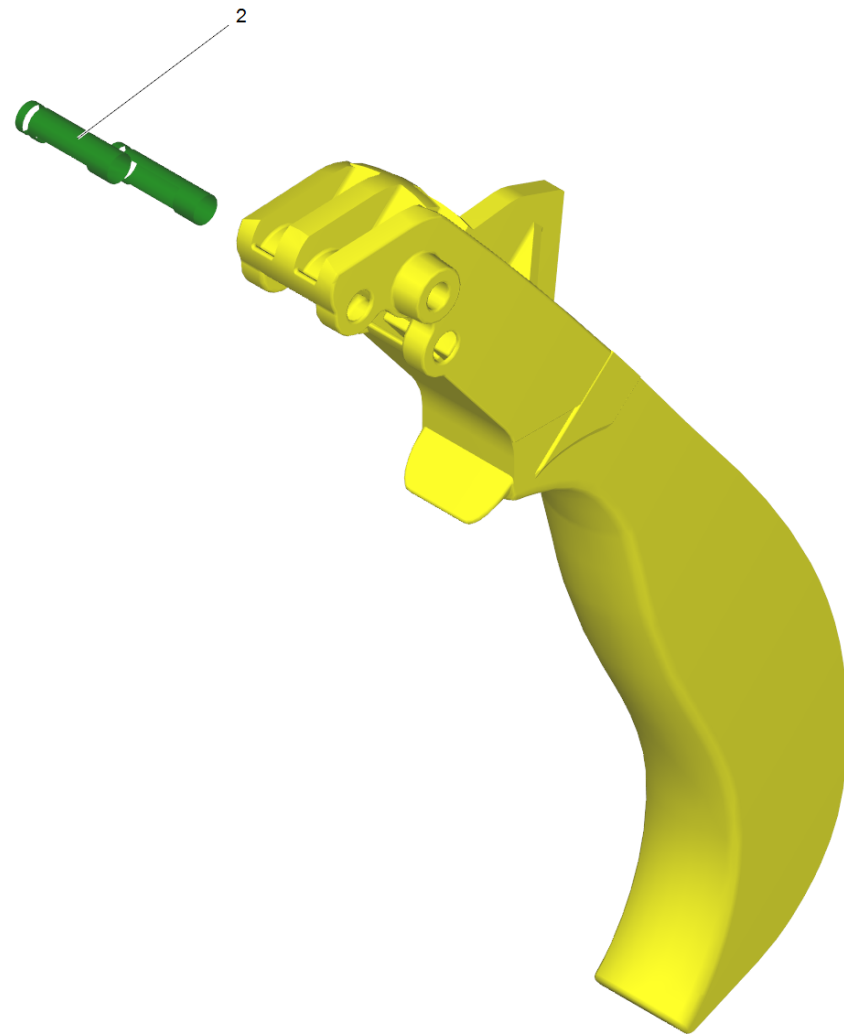
9002 Lever complete (4.481-209.0)

---

<b>POS</b>	<b>Article no.</b>	<b>Description</b>	<b>Quantity</b>	<b>Unit</b>
2	5.314-119.0	Pin	2.000	ST

---





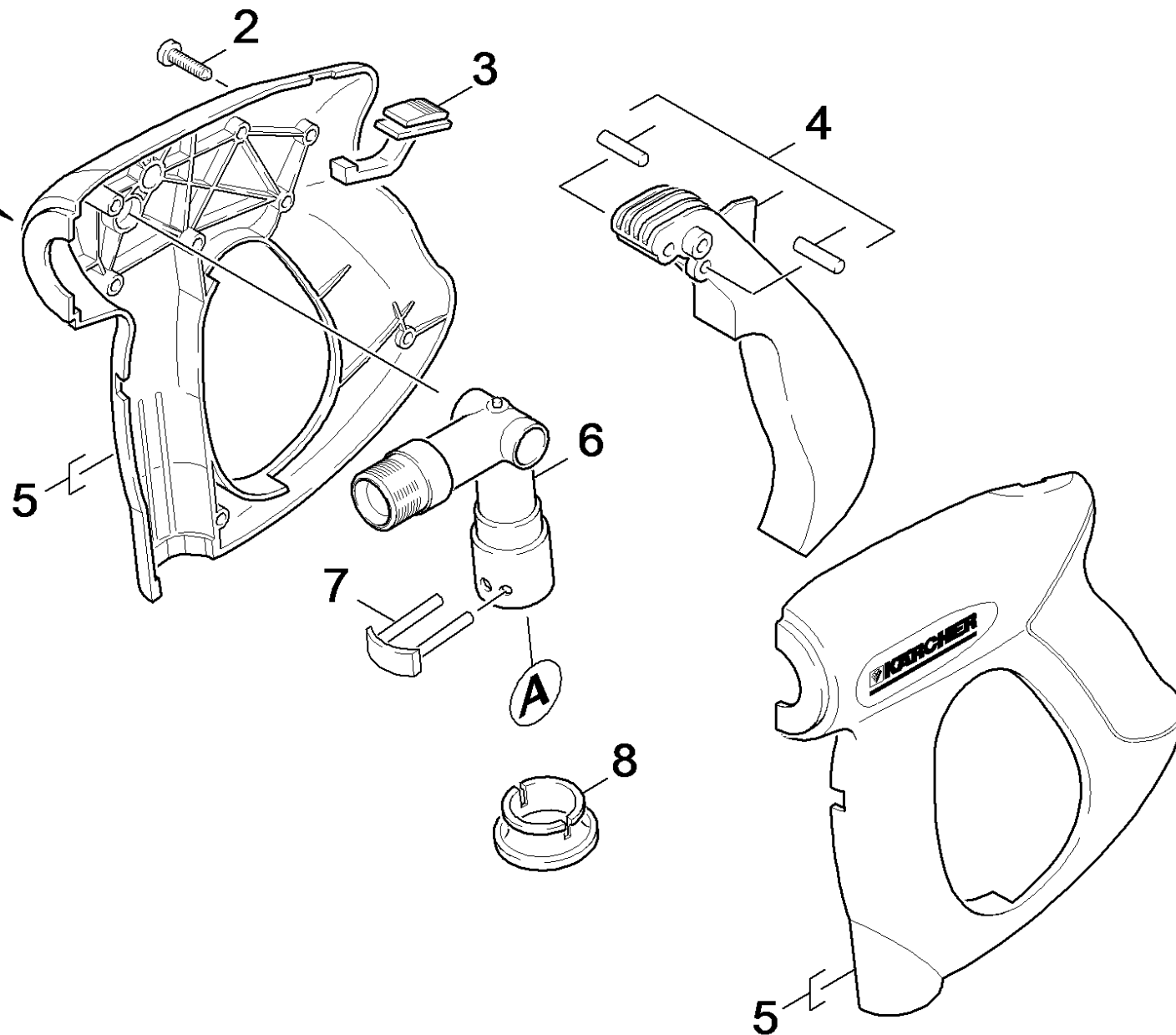
4 Lever complete (4.481-209.0)

---

POS	Article no.	Description	Quantity	Unit
2	5.314-119.0	Pin	2.000	ST

---

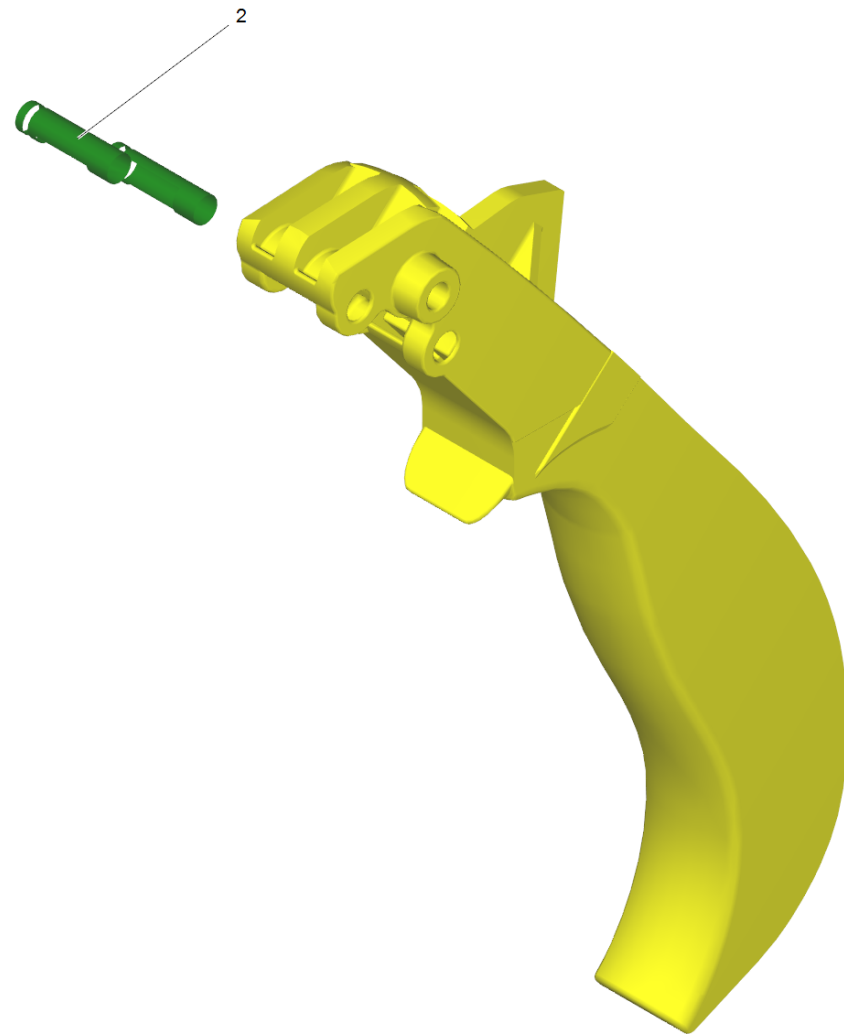
max.30MPa  
60°C



## 41 Hand trigger gun

---

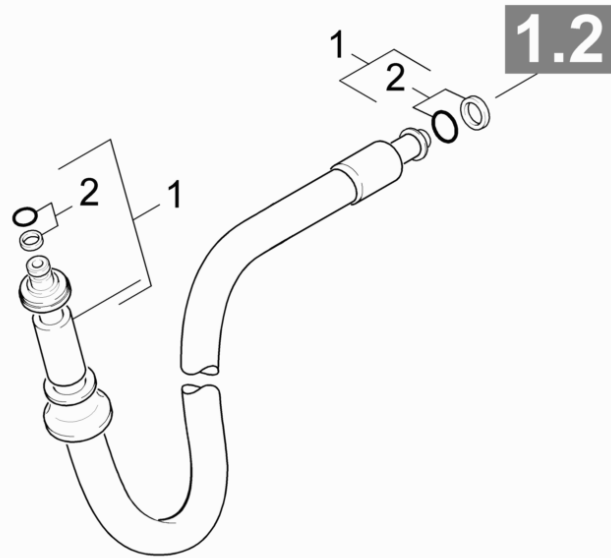
<b>POS</b>	<b>Article no.</b>	<b>Description</b>	<b>Quantity</b>	<b>Unit</b>
5	5.322-013.0	Handhold few cold water Easy-Press	1.000	ST
7	4.037-013.0	Hook	1.000	ST
4	4.481-209.0	Lever complete	1.000	ST
6	4.427-215.0	Manifold complete only for replacement	1.000	ST
2	7.303-096.0	Screw 4x22 -ST-10.9-R2R (IN6RD)	7.000	ST
8	5.110-596.0	Sleeve	1.000	ST
3	5.481-331.0	Slider	1.000	ST



4 Lever complete (4.481-209.0)

---

POS	Article no.	Description	Quantity	Unit
2	5.314-119.0	Pin	2.000	ST

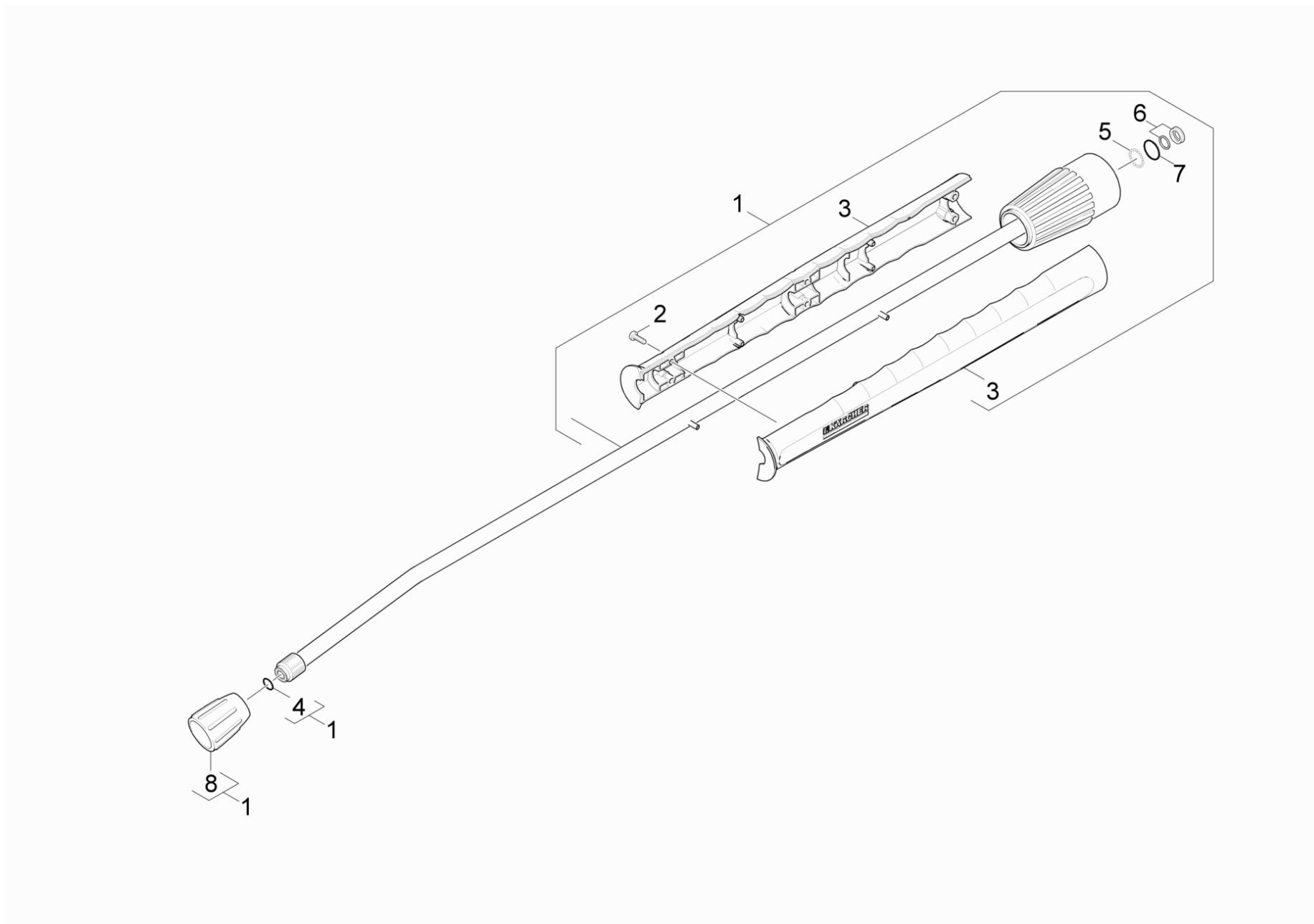


## 42 High pressure hose

---

<b>POS</b>	<b>Article no.</b>	<b>Description</b>	<b>Quantity</b>	<b>Unit</b>
1	6.391-417.0	Hose assembly standard DN6 25MPa 15m	1.000	ST
2	4.363-691.0	O-Ring seal kpl. -nur fuer Ersatz-	2.000	ST

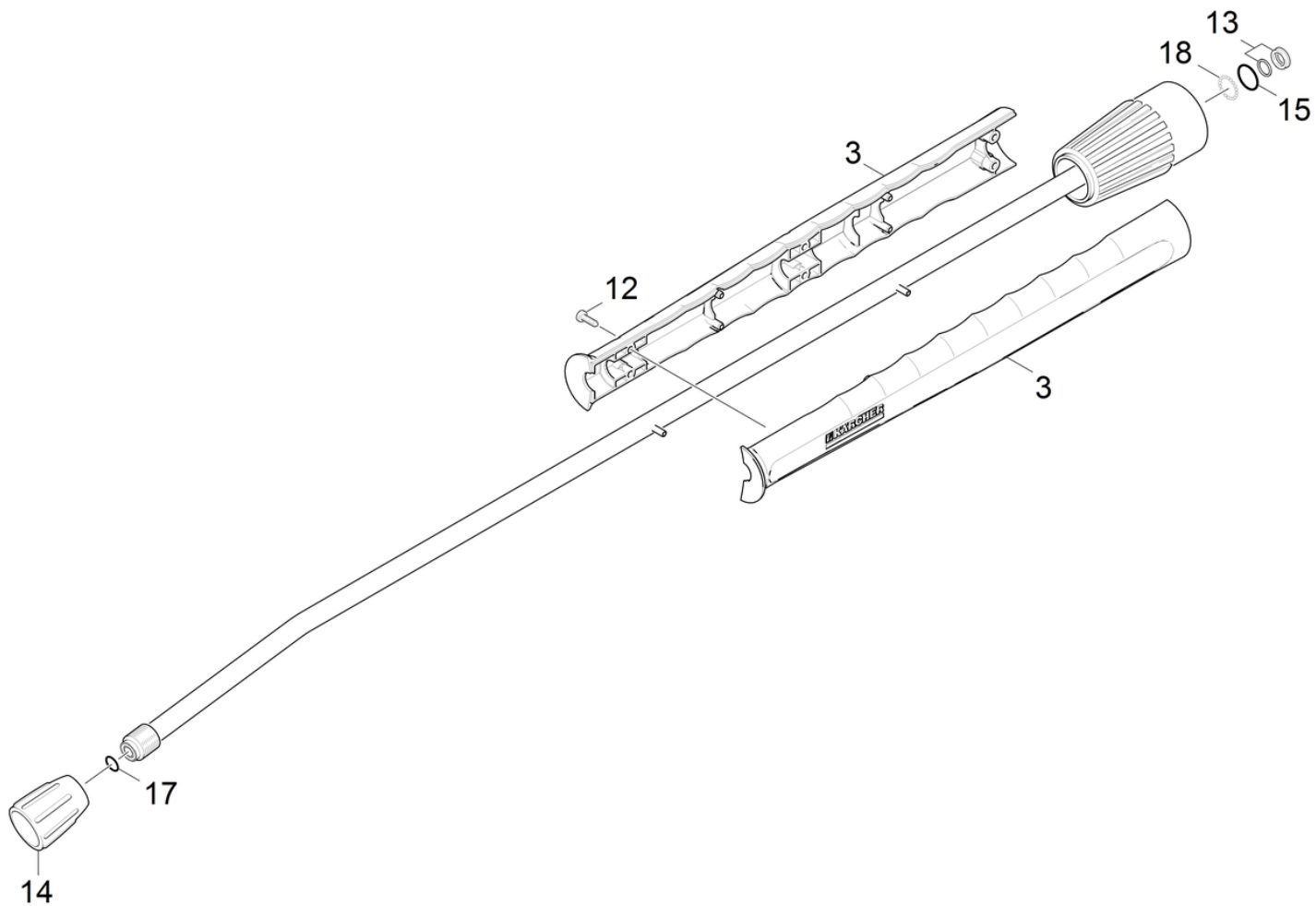




## 43 Jet pipe

---

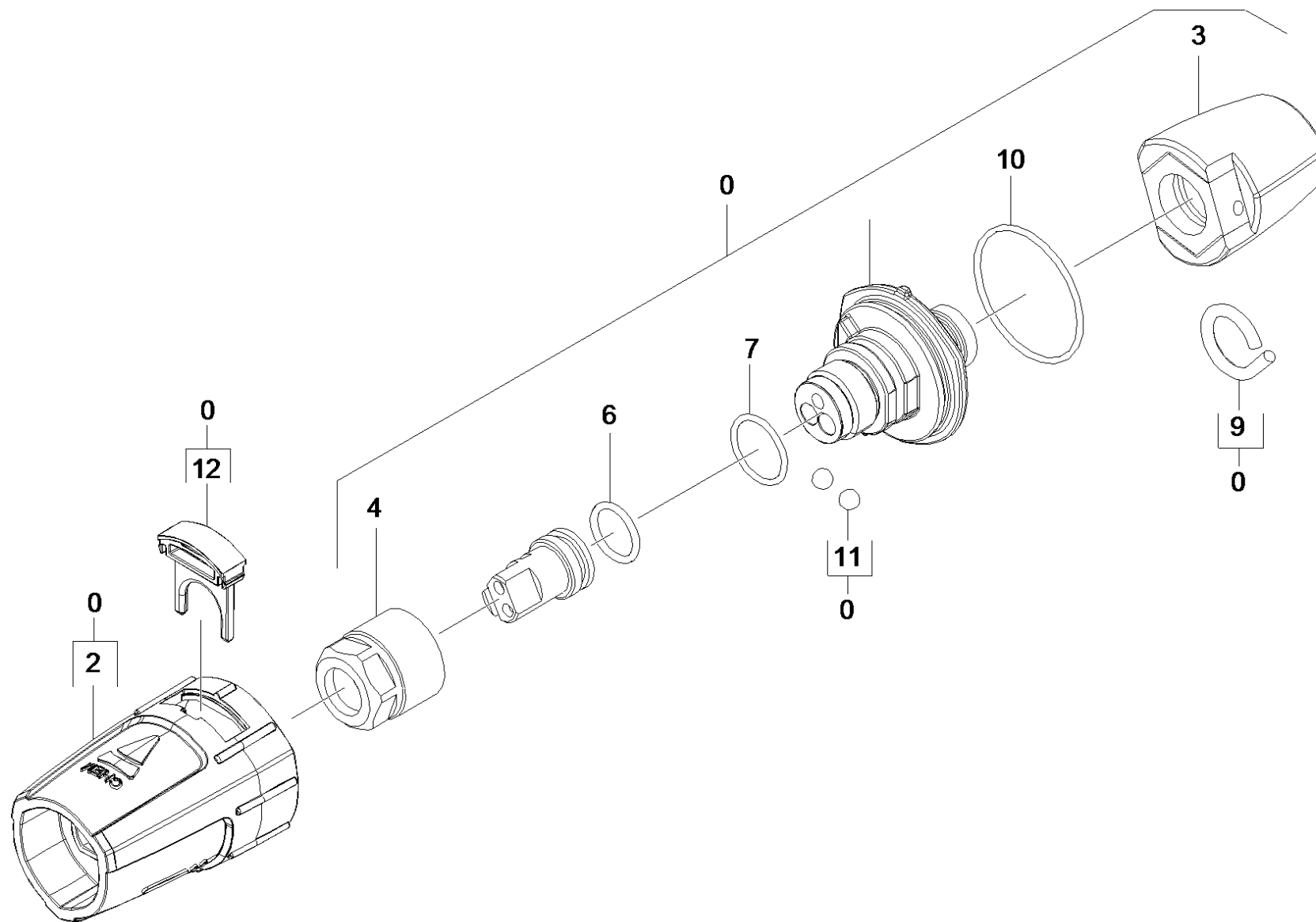
POS	Article no.	Description	Quantity	Unit
6	4.363-692.0	Grooved ring kpl. -nur fuer Ersatz-	1.000	ST
3	5.321-855.0	Handhold few jet pipe with welding bolt	1.000	ST
1	4.760-663.0	Jet pipe packaged only for replacement	1.000	ST
7	6.362-524.0	O-Ring seal 17,0 X 1,5	1.000	ST
2	7.303-129.0	Screw 4x16 -10.9-R2R (K-In6Rd)	6.000	ST
8	5.401-210.0	Screw connector part	1.000	ST
4	2.880-990.0	Spare part set O-Ring 5x -Kaercher	1.000	ST
5	7.401-915.0	Sphere 2,5 G20 -1.4034 DIN 5401	20.000	ST



1 Jet pipe packaged only for replacement (4.760-663.0)

---

POS	Article no.	Description	Quantity	Unit
13	4.363-692.0	Grooved ring kpl. -nur fuer Ersatz-	1.000	ST
3	5.321-855.0	Handhold few jet pipe with welding bolt	1.000	ST
17	7.362-501.0	O-Ring seal 10x2 EPDM 70 DIN 3770	1.000	ST
15	6.362-524.0	O-Ring seal 17,0 X 1,5	1.000	ST
12	7.303-129.0	Screw 4x16 -10.9-R2R (K-In6Rd)	6.000	ST
14	5.401-210.0	Screw connector part	1.000	ST
18	7.401-915.0	Sphere 2,5 G20 -1.4034 DIN 5401	20.000	ST



#### 44 Triple jet nozzle

POS	Article no.	Description	Quantity	Unit
12	5.321-884.0	Clamp	1.000	ST
4	5.311-236.0	Nut	1.000	ST
6	6.362-480.0	O-Ring seal 12,42x 1,78	1.000	ST
7	7.362-039.0	O-Ring seal 15,5x1,5 -NBR70 DIN 3771	1.000	ST
10	6.362-409.0	O-Ring seal 32,0 X 1,5	1.000	ST
9	6.343-150.0	Pin 03	1.000	ST
2	5.394-874.0	Protection part	1.000	ST
3	5.394-530.0	Protection part complete	1.000	ST
11	7.401-902.0	Sphere 5 G20 -1.4034 DIN 5401	2.000	ST
0		Triple jet nozzle only for replacement 0	1.000	ST

Triple jet nozzle only for replacement 0

---

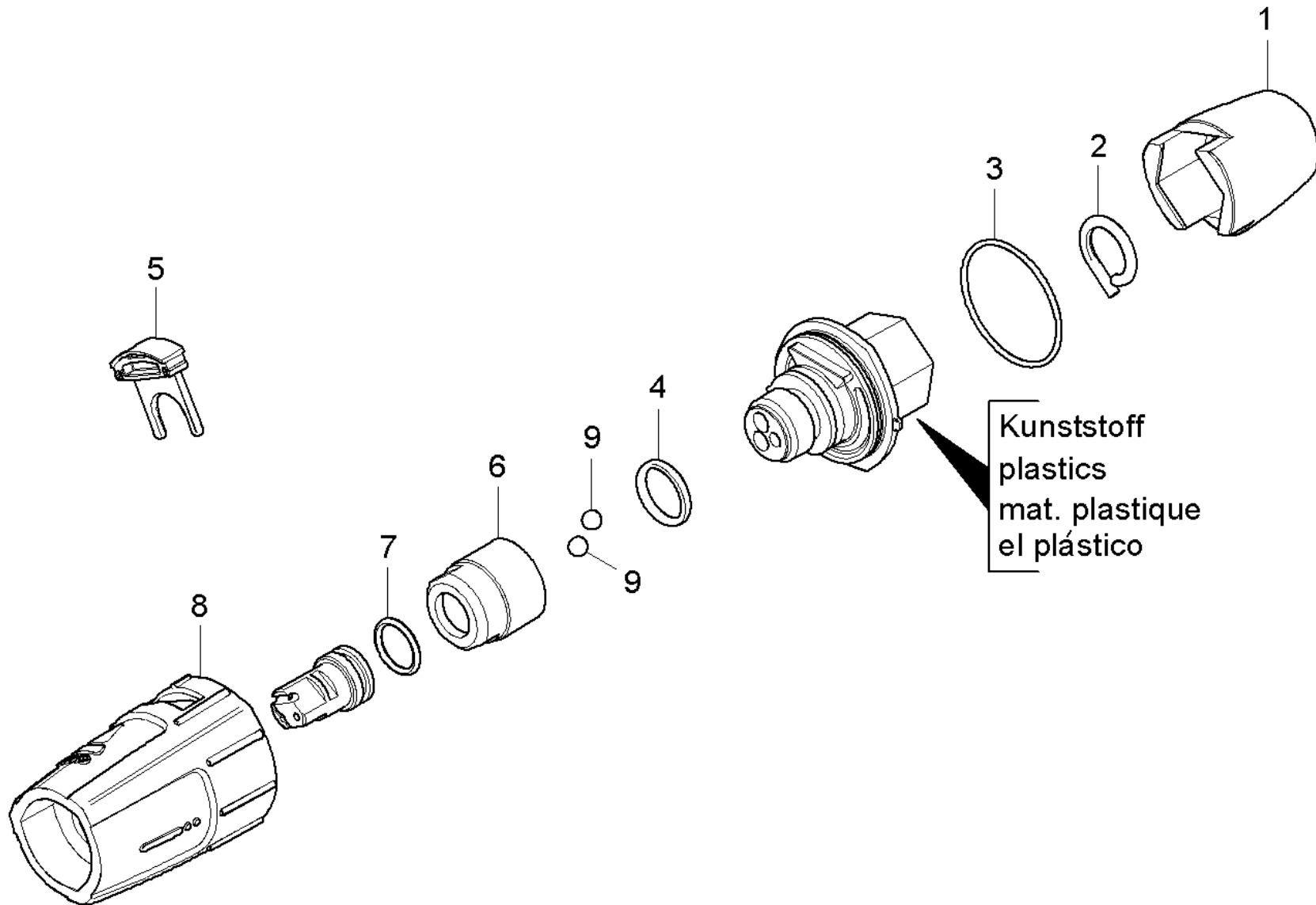
<b>POS</b>	<b>Article no.</b>	<b>Description</b>	<b>Quantity</b>	<b>Unit</b>
2	5.970-837.0	Spare parts list triple jet nozzle	1.000	ST

2 Spare parts list triple jet nozzle (5.970-837.0)

---

<b>POS</b>	<b>Description</b>	<b>Quantity</b>	<b>Unit</b>
20	Triple jet nozzle brass	1.000	ST
10	Triple jet nozzle plastics	1.000	ST

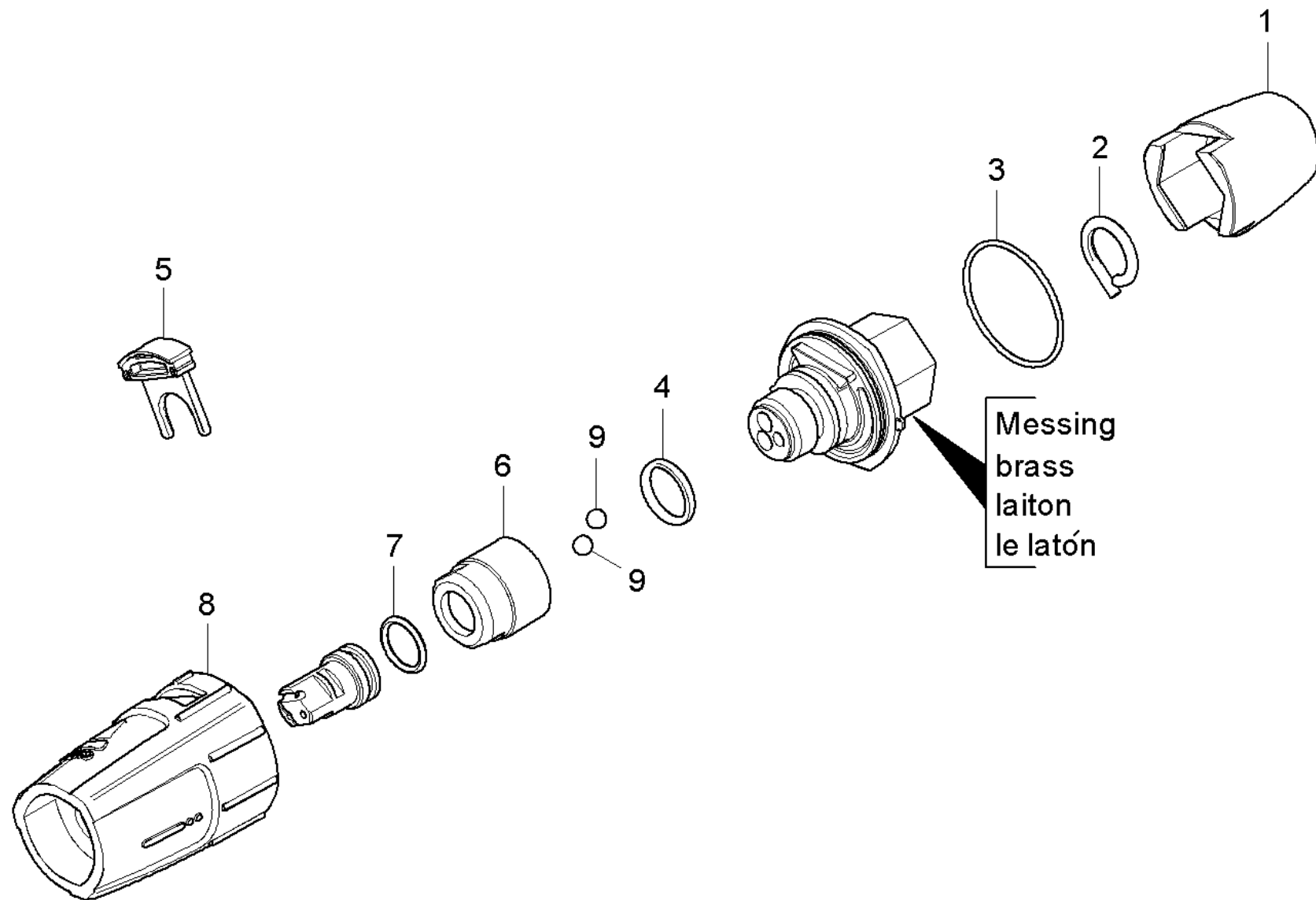




## 10 Triple jet nozzle plastics

---

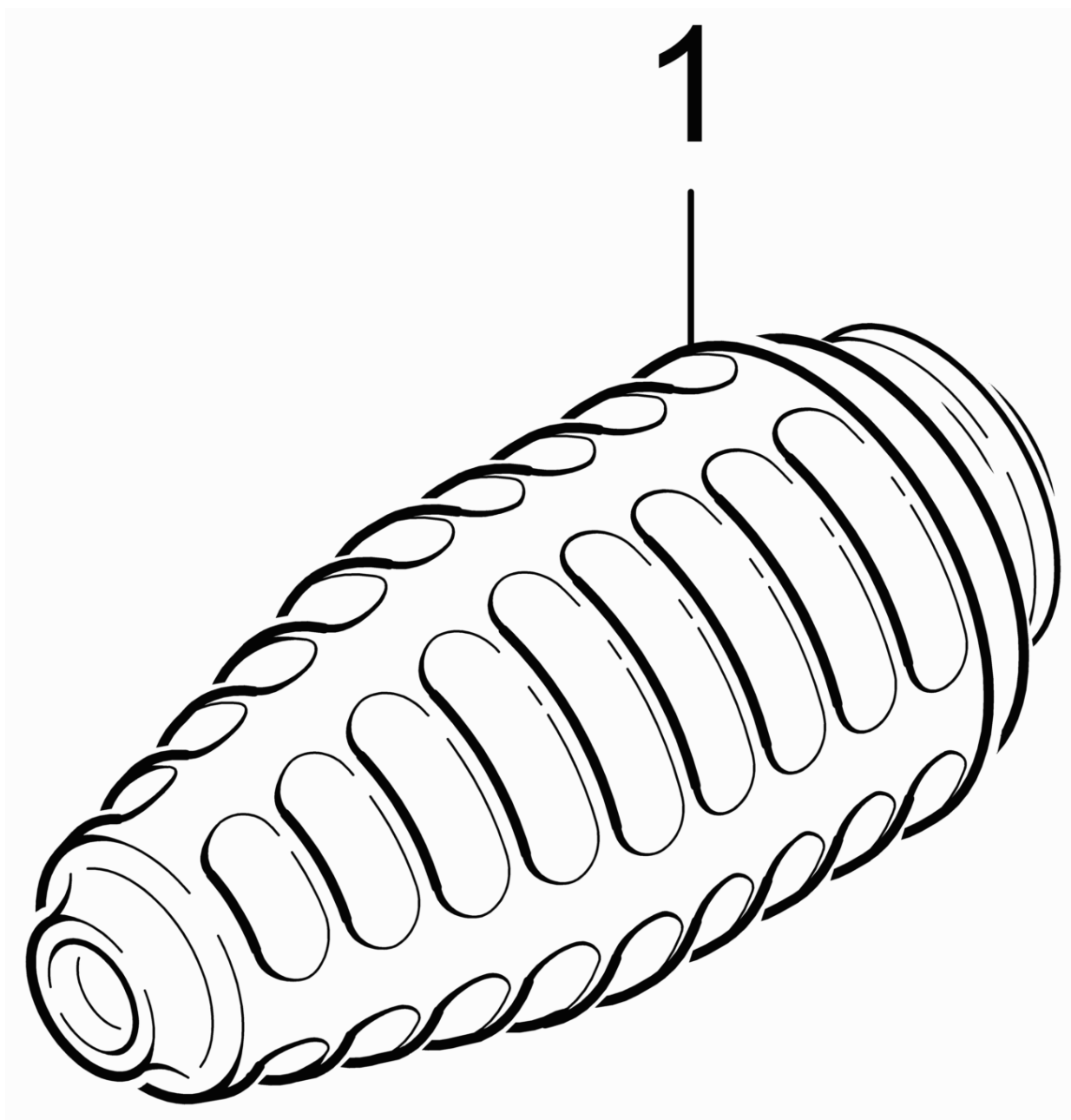
<b>POS</b>	<b>Article no.</b>	<b>Description</b>	<b>Quantity</b>	<b>Unit</b>
5	5.321-884.0	Clamp	1.000	ST
6	5.311-236.0	Nut	1.000	ST
7	6.362-480.0	O-Ring seal 12,42x 1,78	1.000	ST
4	7.362-039.0	O-Ring seal 15,5x1,5 -NBR70 DIN 3771	1.000	ST
3	6.362-409.0	O-Ring seal 32,0 X 1,5	1.000	ST
2	6.343-150.0	Pin 03	1.000	ST
8	5.394-874.0	Protection part	1.000	ST
1	5.394-530.0	Protection part complete	1.000	ST
9	7.401-902.0	Sphere 5 G20 -1.4034 DIN 5401	2.000	ST



## 20 Triple jet nozzle brass

---

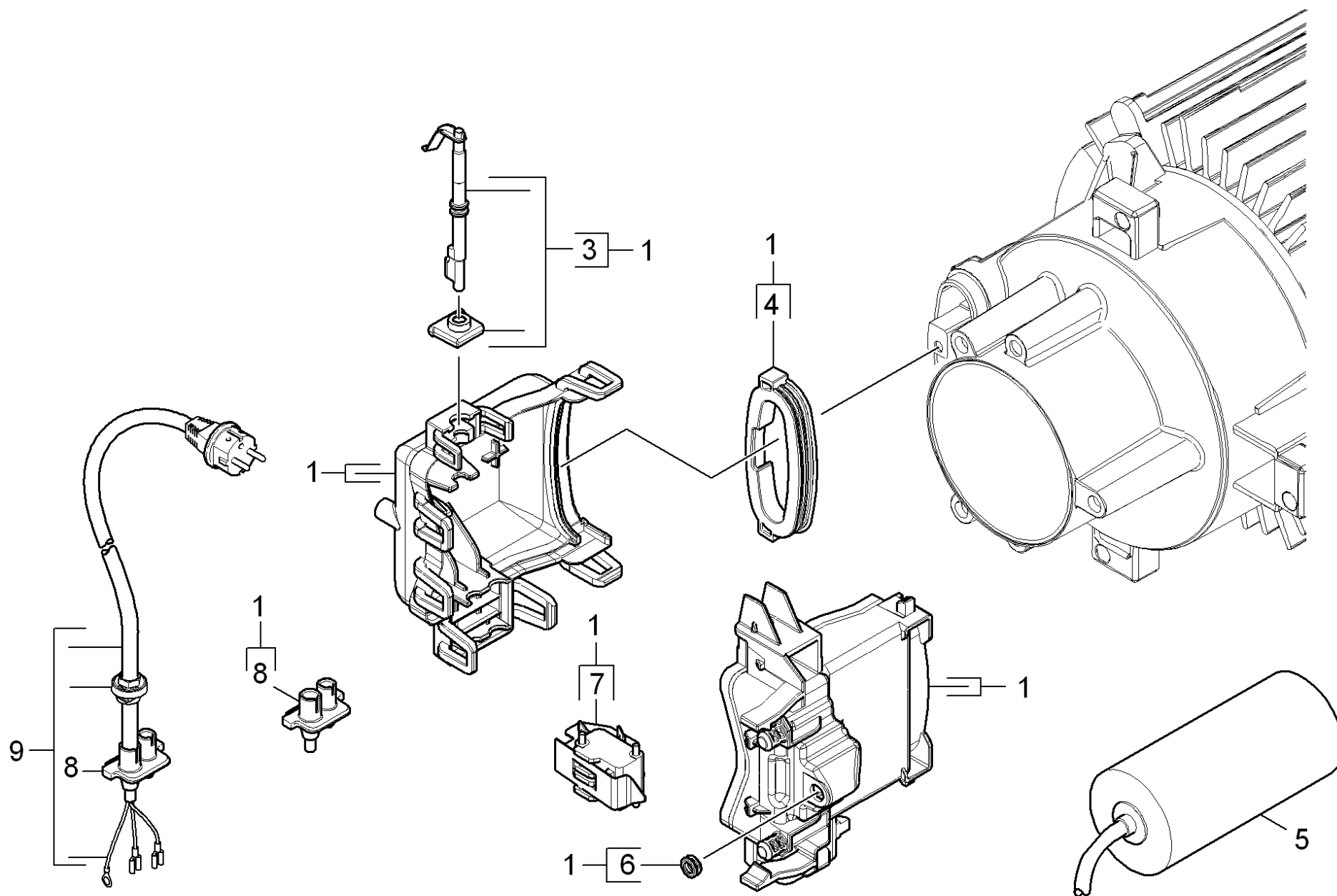
<b>POS</b>	<b>Article no.</b>	<b>Description</b>	<b>Quantity</b>	<b>Unit</b>
5	5.321-884.0	Clamp	1.000	ST
6	5.311-225.0	Nut	1.000	ST
7	6.362-480.0	O-Ring seal 12,42x 1,78	1.000	ST
4	6.362-460.0	O-Ring seal 14,0 X 2,5-NBR 70	1.000	ST
3	6.362-409.0	O-Ring seal 32,0 X 1,5	1.000	ST
2	6.343-150.0	Pin 03	1.000	ST
8	5.394-859.0	Protection part	1.000	ST
1	5.394-530.0	Protection part complete	1.000	ST
9	7.401-902.0	Sphere 5 G20 -1.4034 DIN 5401	2.000	ST



45 Dirt blaster

---

<b>POS</b>	<b>Article no.</b>	<b>Description</b>	<b>Quantity</b>	<b>Unit</b>
1	4.767-041.0	Dirt blaster packaged 03	1.000	ST

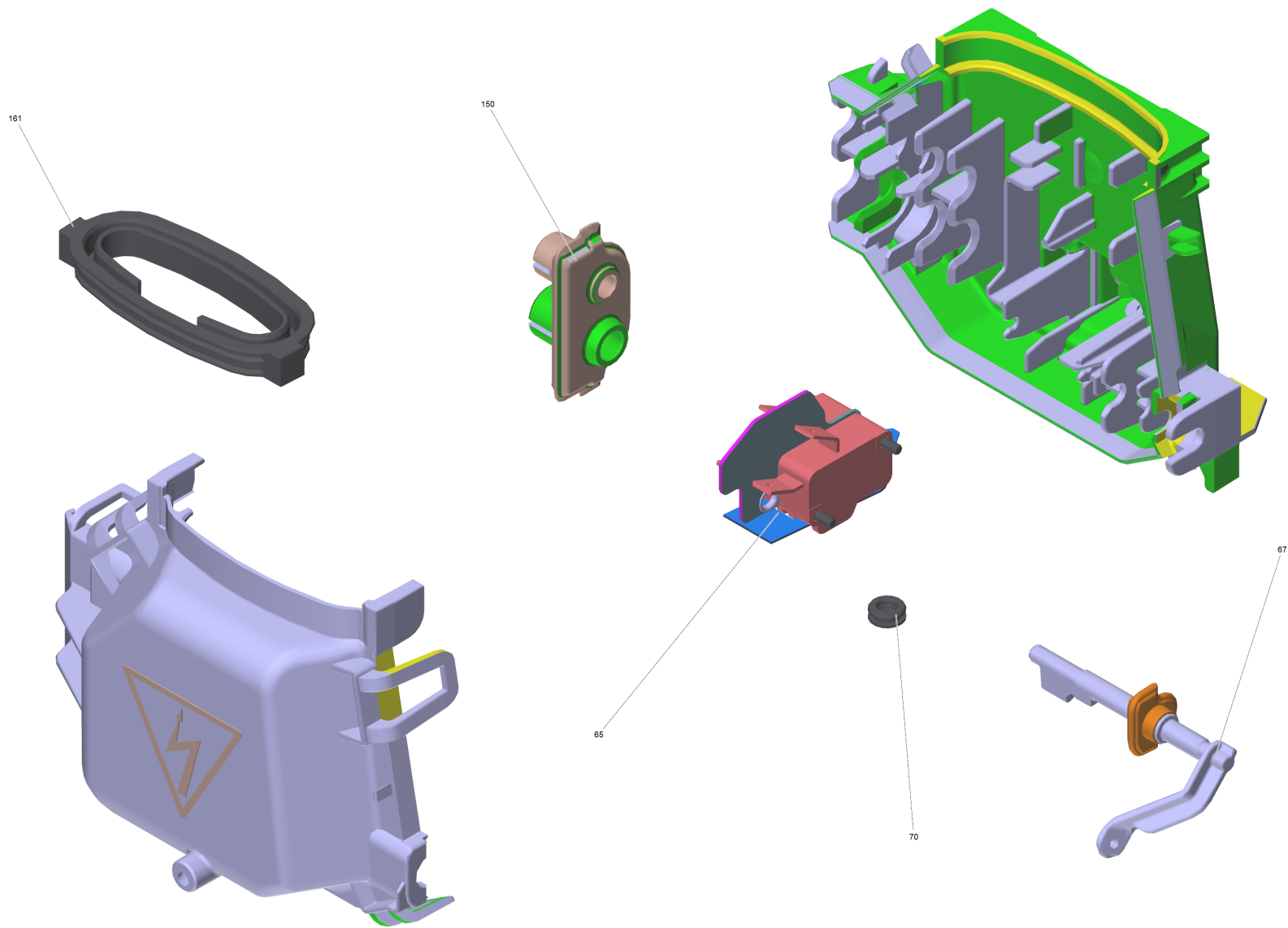


## 50 Electric box

---

<b>POS</b>	<b>Article no.</b>	<b>Description</b>	<b>Quantity</b>	<b>Unit</b>
9	6.650-201.0	Cable with plug *EU	1.000	ST
5	6.650-109.0	Capacitor with cable 40 µF (Silikon)	1.000	ST
7	6.961-000.0	Micro switch	1.000	ST
8	5.363-807.0	Seal cable HDC	1.000	ST
6	5.363-749.0	Seal control piston	1.000	ST
4	5.363-761.0	Seal label	1.000	ST
3	2.885-376.0	Selector shaft spare parts set HDC	1.000	ST
1	2.885-375.0	Spare parts set electric box complete HD	1.000	ST

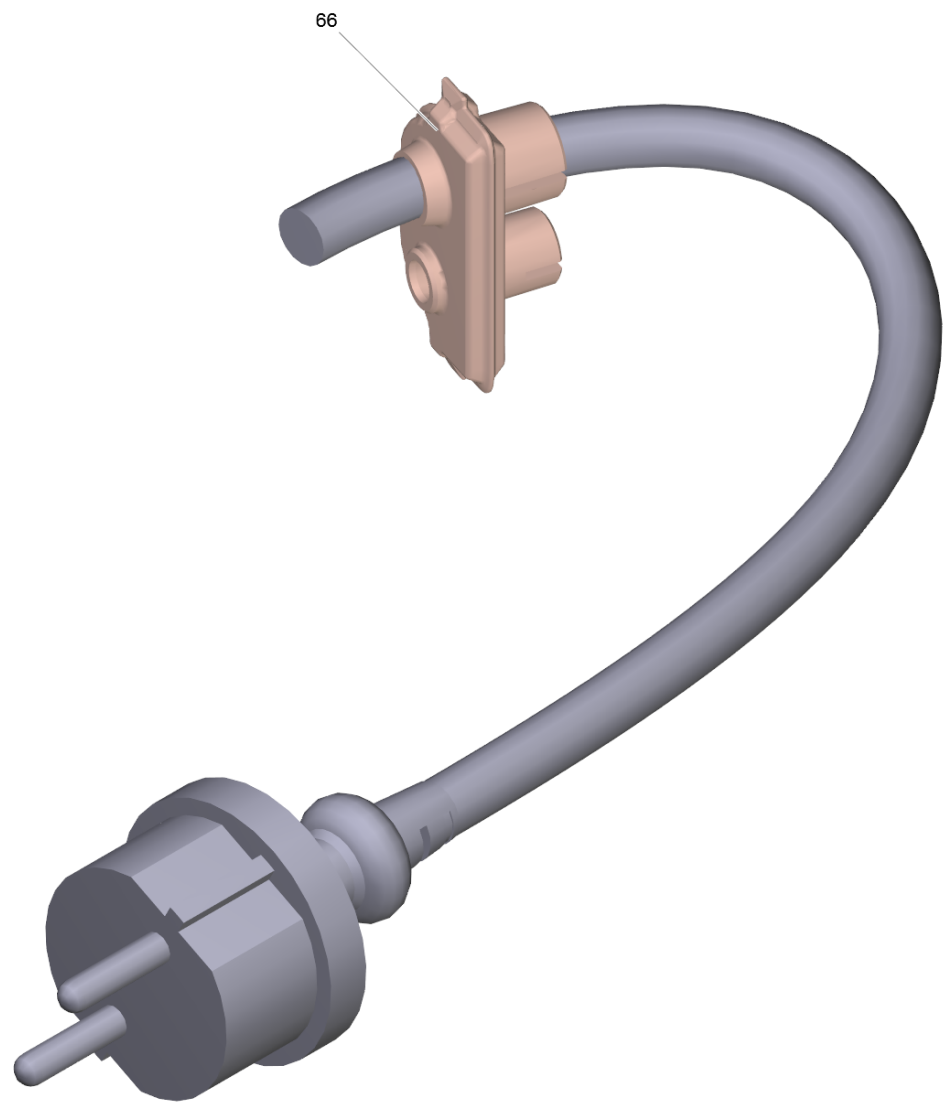




## 1 Spare parts set electric box complete HD (2.885-375.0)

---

<b>POS</b>	<b>Article no.</b>	<b>Description</b>	<b>Quantity</b>	<b>Unit</b>
65	6.961-000.0	Micro switch	1.000	ST
150	5.363-807.0	Seal cable HDC	1.000	ST
70	5.363-749.0	Seal control piston	1.000	ST
161	5.363-761.0	Seal label	1.000	ST
67	2.885-376.0	Selector shaft spare parts set HDC	1.000	ST



9 Cable with plug \*EU (6.650-201.0)

---

<b>POS</b>	<b>Article no.</b>	<b>Description</b>	<b>Quantity</b>	<b>Unit</b>
66	5.363-807.0	Seal cable HDC	1.000	ST

---