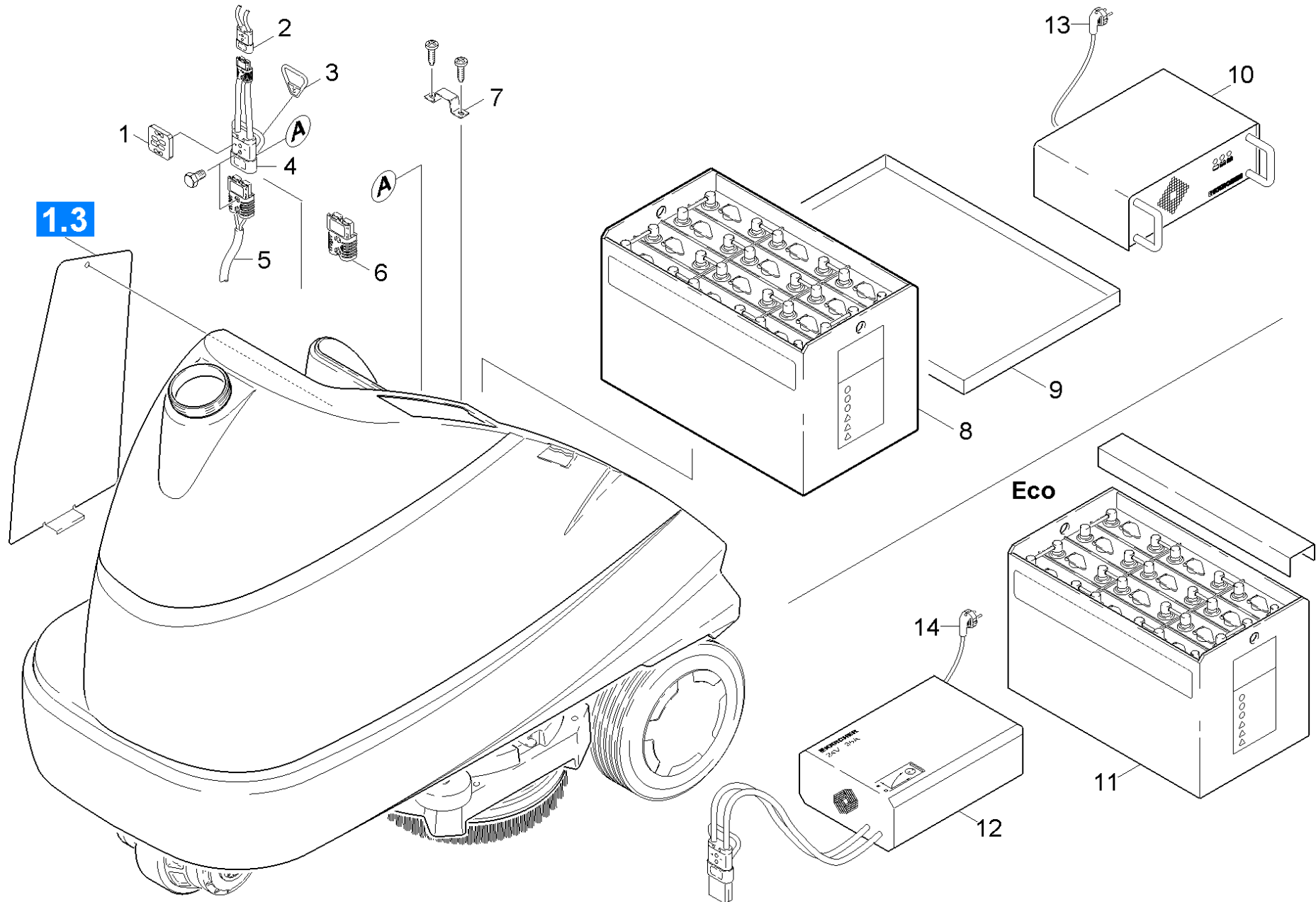


12 Battery

Professional \ Floor cleaner \ Ride-on \ BD 90/140 R *EU \ Spare parts list BR-BD 75/90-140 \ Base frame \ Battery



12 Battery

Professional \ Floor cleaner \ Ride-on \ BD 90/140 R *EU \ Spare parts list BR-BD 75/90-140 \ Base frame \ Battery



POS	Article no.	Description	Quantity	Unit	Serial number from	Serial number to	Remark	Foot note text
4	6.648-924.0	Adapter cable	1.000	ST				LOCKING PISTON
11	6.654-441.0	Battery 24V 240Ah Exide	1.000	ST				
11	6.654-112.0	Battery 24V 240Ah Hoppecke	1.000	ST			/"Eco"	
10	6.654-139.0	Battery charger 24V/50A	1.000	ST				
12	6.654-306.0	Battery charger 24V 36A	1.000	ST			/"Eco"	
2	6.648-748.0	Connection cable complete	1.000	ST				
3	6.321-152.0	Hand grip connection cable	1.000	ST				
7	5.007-339.0	Plate cable battery	1.000	ST				
1	6.277-647.0	Plate coding only for replacement	1.000	ST				
6	6.648-929.0	Plug two-pole SBE 160	1.000	ST			160 A	
14	6.650-117.0	Power cable only for replacement	1.000	ST			Pos.12 / 6.654-193.0	
13	6.650-115.0	Power cable only for replacement	1.000	ST			Pos.10 / 6.654-139.0	
10	7.777-999.0	Stockpiling discontinued	1.000	ST			90-240V	
	Item text1: //1.246-301/ -401.0							
5	6.648-747.0	Supply cable	1.000	ST		10799		
5	6.648-956.0	Supply cable	1.000	ST	10800			
8	6.654-052.0	Traction battery WET 24V/400Ah	1.000	ST				
9	5.039-053.0	Tub tray battery	1.000	ST				
	Item text1: //1.246-302/ -402/ -502.0							