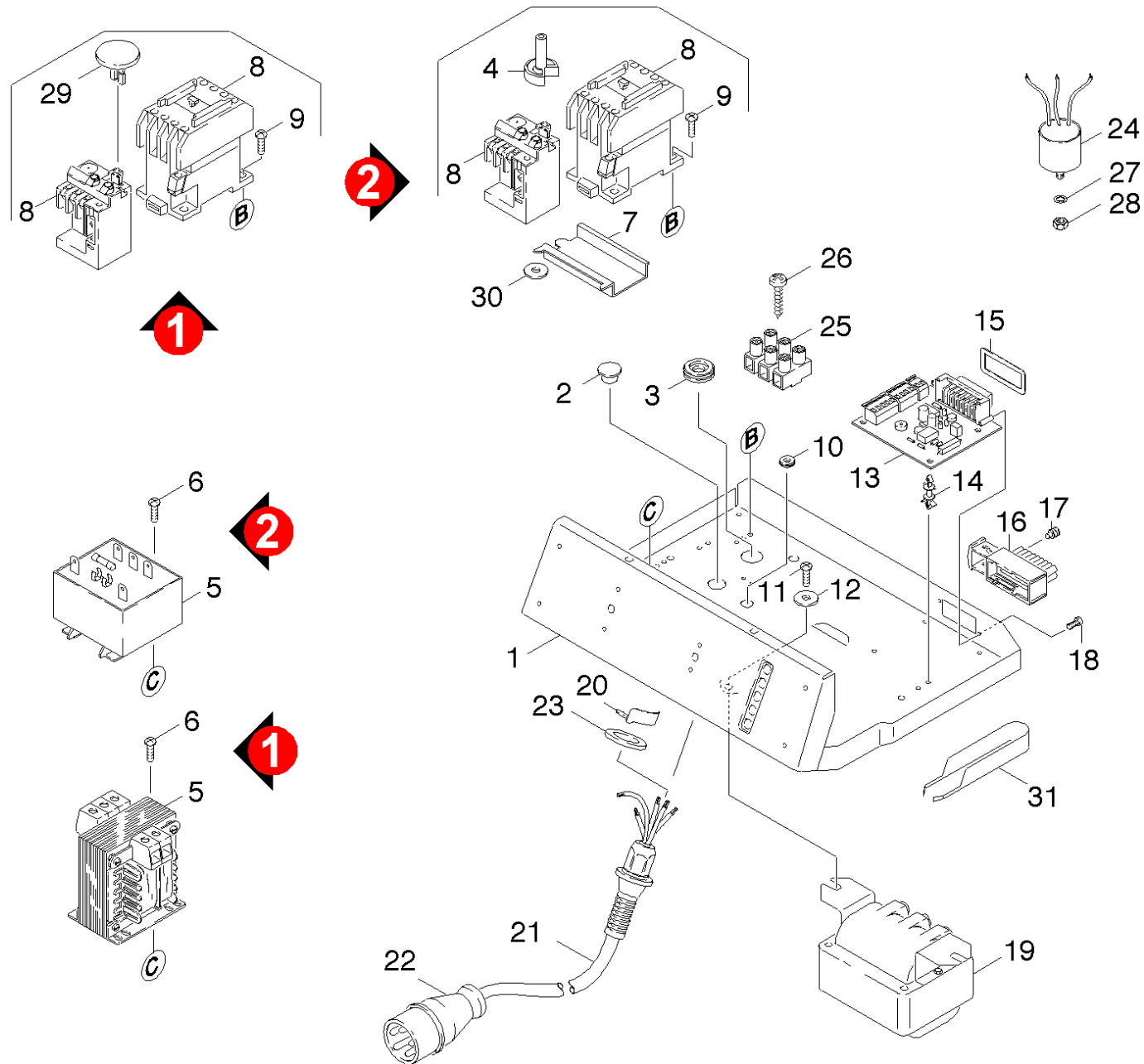


62 Bottom part

Professional \ High pressure cleaner hotwater \ Electric motor \ HDS 695 *EU \ Spare parts list HDS 695 \ Electric control box \ Bottom part



62 Bottom part

Professional \ High pressure cleaner hotwater \ Electric motor \ HDS 695 *EU \ Spare parts list HDS 695 \ Electric control box \ Bottom part

POS	Article no.	Description	Quantity	Unit	Remark
1	5.049-551.0	Sheet metal component	1.000	ST	
2	6.368-134.0	Drain plug	1.000	ST	
3	5.365-158.0	Profile gasket	1.000	ST	
4	5.032-661.0	Moulded part	1.000	ST	
5	6.622-241.0	Control transformer 400V	1.000	ST	VERSION 2
	Item text1: / 1.025-111.0 / -281.0 / -291.0				
	Item text2: / -611.0 / -801.0 / -811.0 / -821.0				
5	6.622-156.0	Control transformer	1.000	ST	VERSION 1
	Item text1: / 1.025-611.0				
5	4.622-018.0	Control transformer -nur für Ersatz-	1.000	ST	VERSION 2
	Item text1: / 1.025-261.0				
5	6.622-021.0	Control transformer 40VA	1.000	ST	VERSION 1
	Item text1: / 1.025-111.0 / -261.0 / -291.0				
	Item text2: / -801.0 / -811.0 / -821.0				
5	6.622-050.0	Control transformer -420V	1.000	ST	VERSION 1
	Item text1: / 1.025-281.0				
6	7.303-030.0	Screw M4x8 -St-P2R (In6Rd)	4.000	ST	
7	5.802-300.0	Mounting part	1.000	ST	
8	2.884-306.0	Conversion kit contactor	1.000	ST	
	Item text1: / 1.025-261.0				
8	2.884-301.0	Conversion kit contactor	1.000	ST	
9	7.306-167.0	Cylinder head screw M 4x40-8.8-A2E DIN	1.000	ST	VERSION 2
9	7.303-033.0	Screw M4x16-ST-P2R (KOMBI-IN6RD)	2.000	ST	VERSION 1
10	6.641-422.0	Wire protecting sleeve	1.000	ST	
11	7.303-328.0	Screw M5x8 -St-flZn/nc480h/C (In6Rd)	1.000	ST	
12	7.312-260.0	Washer 6 -100HV-A3E ISO 7094	1.000	ST	
13	6.633-302.0	Pulse generator	1.000	ST	
14	6.646-269.0	Distance pin	2.000	ST	
15	5.364-158.0	Flat gasket	1.000	ST	
16	6.646-254.0	Plug housing	1.000	ST	
17	6.646-256.0	Blind plug	1.000	ST	
18	7.303-061.0	Screw ST2,9x9,5 -St-R2R (In6Rd)	2.000	ST	
19	2.883-470.0	Spare parts set ignition transformer	1.000	ST	

62 Bottom part

Professional \ High pressure cleaner hotwater \ Electric motor \ HDS 695 *EU \ Spare parts list HDS 695 \ Electric control box \ Bottom part

POS	Article no.	Description	Quantity	Unit	Remark
		Item text1: / 1.025-281.0			
19	2.883-468.0	Spare parts set ignition transformer	1.000	ST	
		Item text1: / 1.025-111.0 / -291.0 / -611.0			
		Item text2: / -801.0 / -811.0 / -821.0			
19	2.883-465.0	Spare parts set ignition transformer	1.000	ST	
		Item text1: / 1.025-261.0			
20	6.343-170.0	Retaining clip	1.000	ST	
21	6.647-250.0	Cable with rubber bushing	1.000	ST	
		Item text1: / 1.025-111.0 / -261.0 / -281.0			
		Item text2: / -611.0			
21	6.647-198.0	Cable with rubber bushing	1.000	ST	
		Item text1: / 1.025-291.0			
22	6.646-030.0	Plug CEE ,16A,5p,IP44	1.000	ST	
		Item text1: / 1.025-111.0 / -261.0			
23	5.115-255.0	Washer	1.000	ST	
24	4.828-007.0	Anti-interference filter complete	1.000	ST	
25	6.643-249.0	Strip terminal	1.000	ZST	
		Item text1: / 1.025-291.0			
26	7.303-501.0	Self-tapping screw M3x20-ST-A2E DIN 7500	2.000	ST	
27	7.312-230.0	Serrated lock washer A4,3-FSt-A3E DIN67	1.000	ST	
28	7.311-001.0	Hexagon nut M4 -6-A2E ISO 4032	1.000	ST	
29	5.326-010.0	Button	1.000	ST	VERSION 2
30	7.312-282.0	Washer 5 -A2 ISO 7093-1	2.000	ST	
31	5.901-134.0	Extraction tool AMP	1.000	ST	