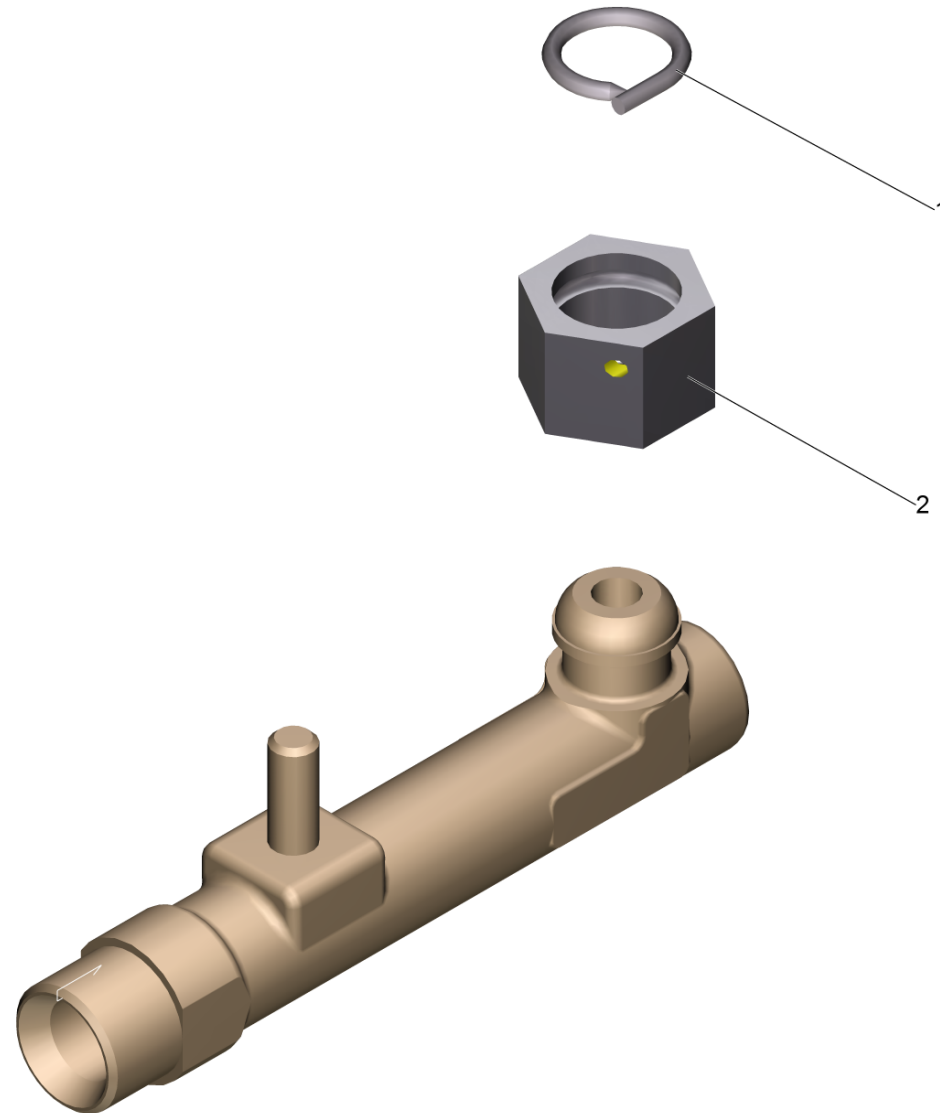


8 Manifold (4.427-123.0)

Professional \ High pressure cleaner hotwater \ Electric motor \ HDS 500 Cl *EU \ Spare parts list HDS 500 Cl *EUR \ Flow heater \ Burner bottom \ Manifold



8 Manifold (4.427-123.0)

Professional \ High pressure cleaner hotwater \ Electric motor \ HDS 500 Cl *EU \ Spare parts list HDS 500 Cl *EUR \ Flow heater \ Burner bottom \ Manifold



POS	Article no.	Description	Quantity	Unit
1	6.343-151.0	Pin	1.000	ST
2	6.386-405.0	Union nut M22x1.5	1.000	ST