

Spare parts list

(1.069-956.0) K 5.20M PLUS BL *EU

Table of contents

K 5.20M PLUS BL *EU (1.069-956.0)	4
Spare parts list K 520 M (5.955-833.0)	5
10 Individual parts	6
20 Pump set	8
21 Excess-current	9
3 Moulded part complete only for replaceme (4.030-123.0)	11
100 PUMP SET (2.883-826.0)	13
10 Joining piece only for replacement (4.030-045.0)	14
20 Moulded part complete only for replaceme (4.030-069.0)	15
50 Valve plug complete (4.132-011.0)	17
70 Suction valve complete (4.580-308.0)	18
22 Piston	20
2 Piston complete (4.553-173.0)	22
23 Cylinder head	23
4 Valve plug complete (4.132-011.0)	25
6 Nozzle insert only for replacement (4.769-034.0)	26
8 Valve pin complete (4.584-022.0)	28
12 Joining piece only for replacement (4.030-125.0)	30
17 Spare part set (2.883-158.0)	32
30 Motor	33
31 Ventilation	34
32 Transmission	36
40 Accessories	39
41 Hand trigger gun	40
42 Hand trigger gun	42
43 Hand trigger gun	44
G 180 Q Trigger gun Quick Connect (2.642-889.0)	46
2 High pressure hose 16MPa/9m 60°C, verp. (2.641-706.0)	48
44 Jet pipe	50
1 PC 7.5 pipe cleaning set (2.637-729.0)	52
100 Spare parts list pipe cleaning set (5.952-715.0)	53
10 Pipe cleaning hose	54
20 Pipe cleaning hose	56
8 VPS K5 033 (4.760-524.0)	58
9 Dirt blaster K2 0295 St (4.764-244.0)	60
11 WB 100 washing brush (2.643-236.0)	62
45 Surface cleaner	64
1 Single-step jet pipe extension (2.643-240.0)	66

Table of contents

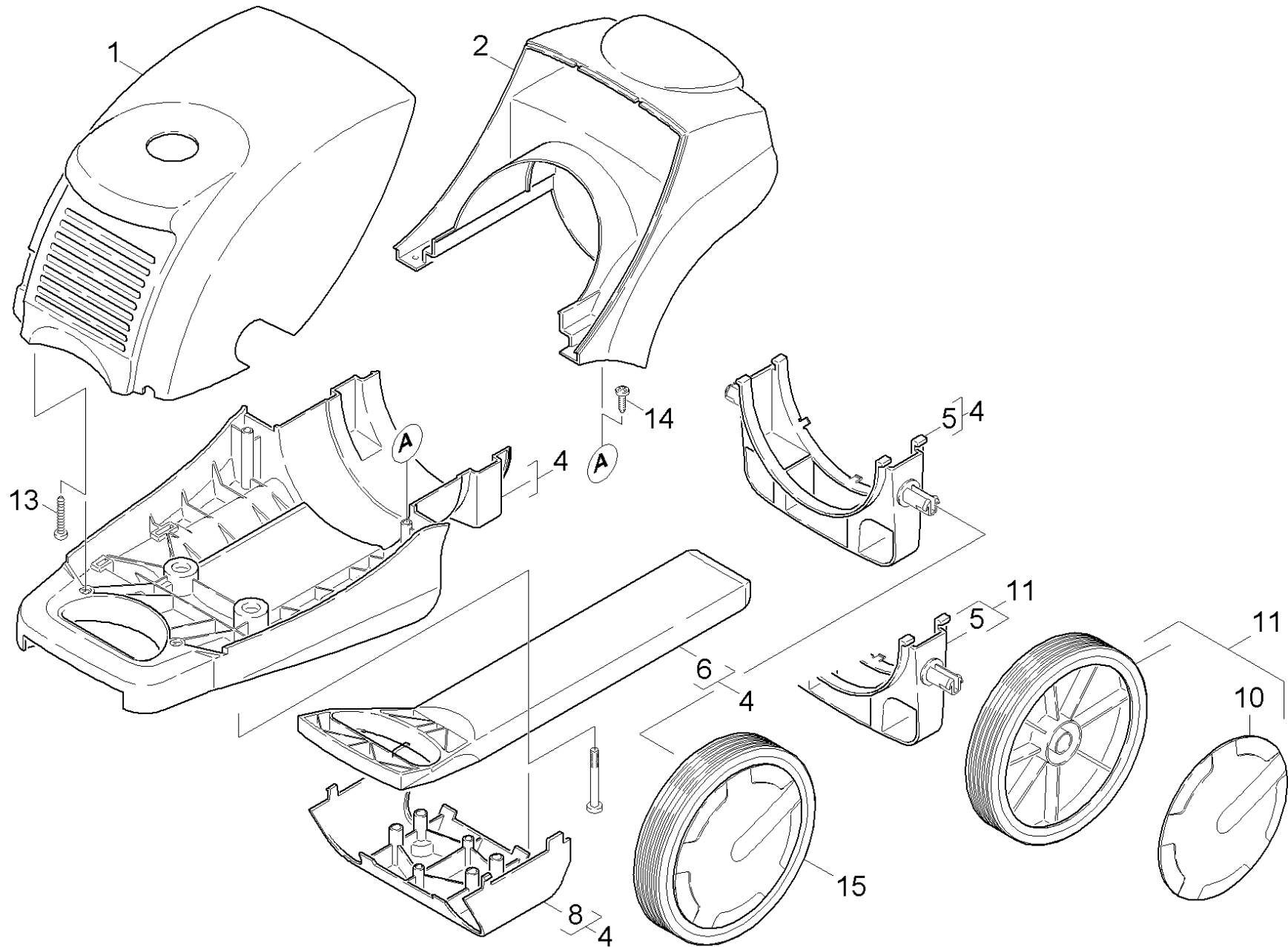
7 Spare parts nozzles T-Racer (2.643-338.0)	68
46 Surface cleaner	71
1 Single-step jet pipe extension (2.643-240.0)	73
7 Spare parts nozzles T-Racer (2.643-338.0)	75
47 Surface cleaner	78
1 Single-step jet pipe extension (2.643-240.0)	80
7 Spare parts nozzles T-Racer (2.643-338.0)	82
48 Surface cleaner	85
23 Spare parts nozzles T-Racer (2.643-338.0)	87
49 Water filter	90
1 Water filter (4.730-059.0)	92
1 Water filter complete	93
50 Electric control box	95
8 Electric box complete (4.800-852.0)	98

K 5.20M PLUS BL *EU (1.069-956.0)

POS	Article no.	Description	Quantity	Unit
0	5.955-833.0	Spare parts list K 520 M	1.000	ST
	Item text2: 10698940			

Spare parts list K 520 M (5.955-833.0)

POS	Description	Quantity	Unit
40	Accessories	1.000	ST
50	Electric control box	1.000	ST
10	Individual parts	1.000	ST
30	Motor	1.000	ST
20	Pump set	1.000	ST

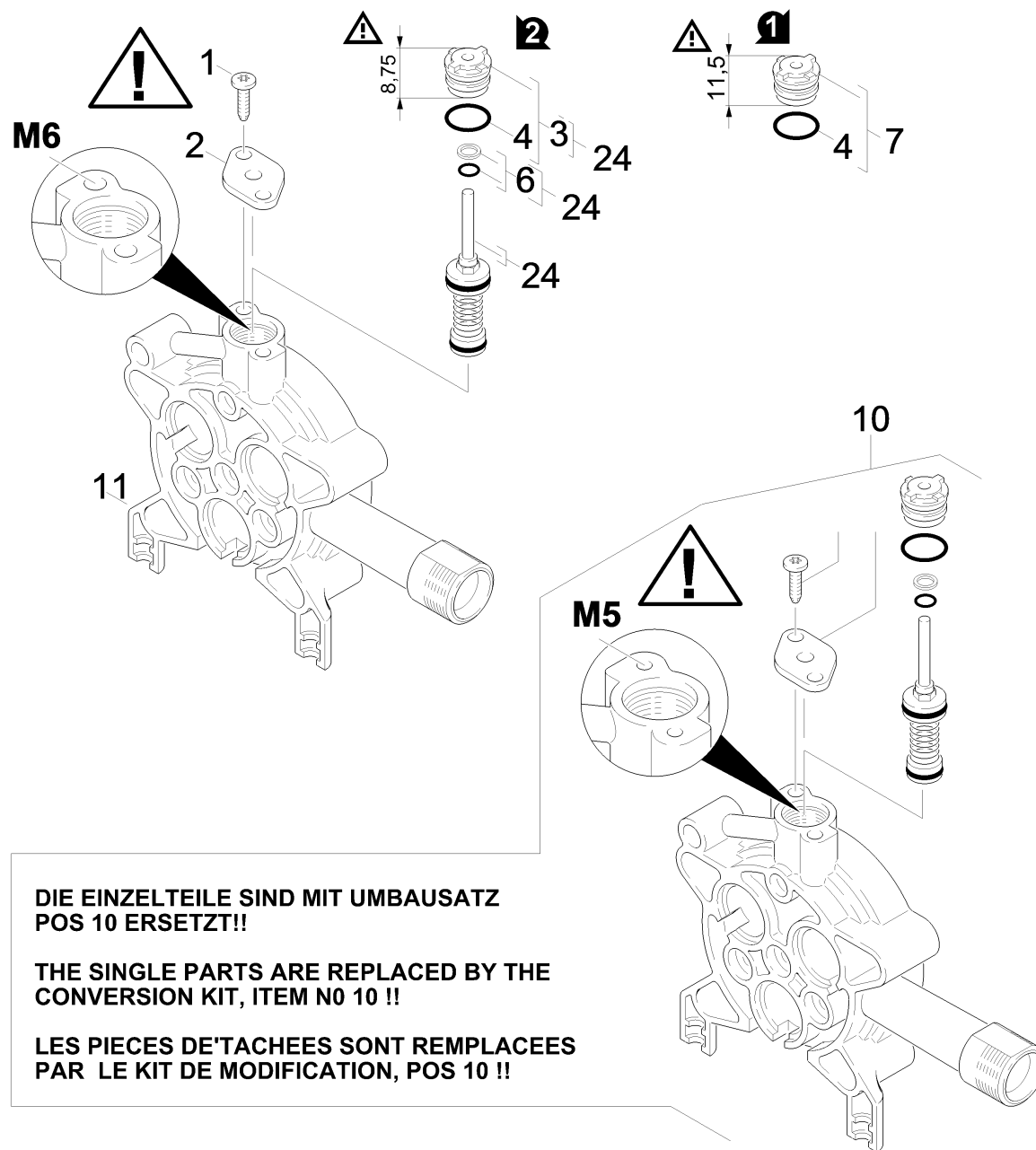


10 Individual parts

POS	Article no.	Description	Quantity	Unit	Foot note text
5	5.105-223.0	Axle	1.000	ST	
4	4.050-941.0	Chassis complete	1.000	ST	
	Item text1: 1.069-956.0 /-957.0				
4	4.050-334.0	Chassis complete	1.000	ST	
1	5.069-258.0	Cover black -K5.20	1.000	ST	
	Item text1: 1.069-956.0 /-957.0				
2	5.031-241.0	Covering cap chassis	1.000	ST	
2	5.033-388.0	Covering cap chassis yellow -K5.20	1.000	ST	
	Item text1: 1.069-956.0 /-957.0				
8	5.031-242.0	Covering cap handhold	1.000	ST	
8	5.033-386.0	Covering cap handhold yellow -K5.20	1.000	ST	
	Item text1: 1.069-956.0 /-957.0				
6	5.321-505.0	Handhold	1.000	ST	
14	6.303-125.0	Screw 5x20-Sonder In6Rd+Spitze	2.000	ST	
13	7.303-109.0	Screw 5x25 -10.9-R2R (In6Rd)	2.000	ST	
10	2.884-989.0	Spare part set wheel cap	2.000	ST	SET OF 2 PIECES
11	2.884-500.0	Spare part set wheel D180	1.000	ST	SET OF 2 PIECES
1	7.777-999.0	Stockpiling discontinued	1.000	ST	
	Item text1: ONLY COVER BLACK AVAILABLE (5.069-258.0)				
15	4.515-299.0	Wheel complete	2.000	ST	
	Item text1: 1.069-956.0 /-957.0				

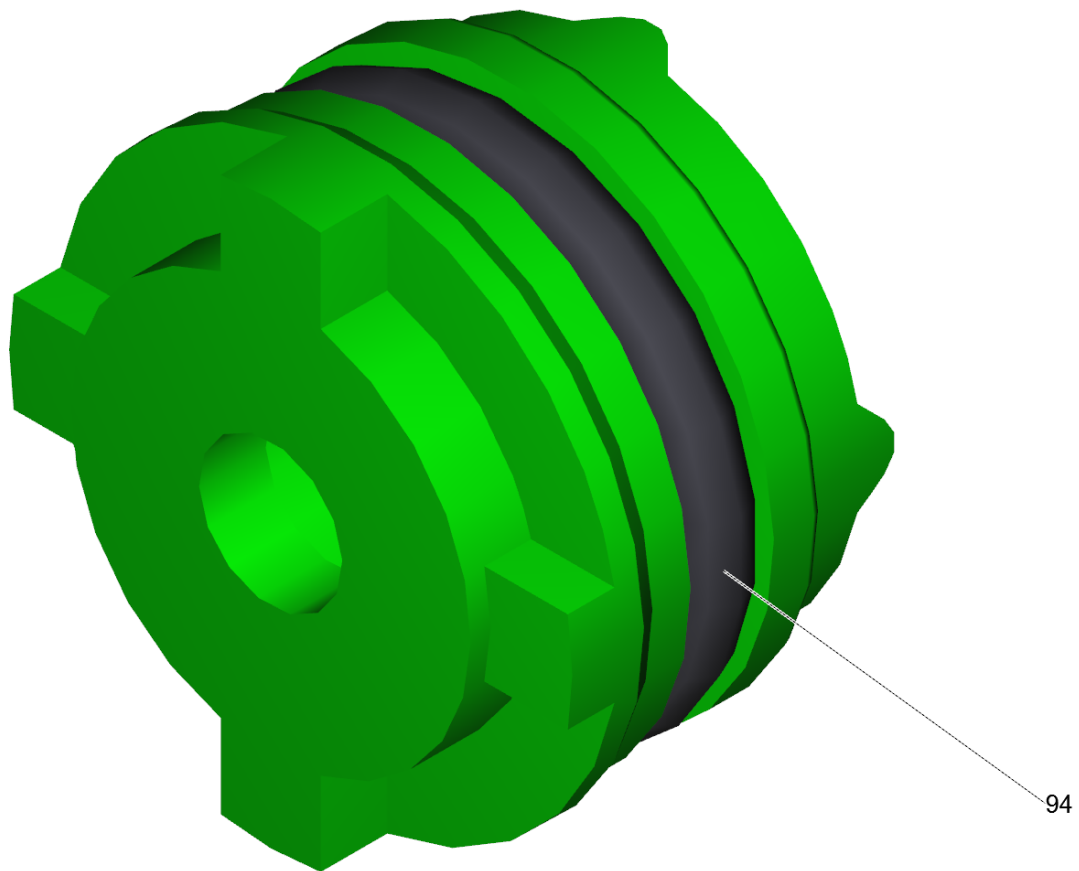
20 Pump set

POS	Description	Quantity	Unit
23	Cylinder head	1.000	ST
21	Excess-current	1.000	ST
22	Piston	1.000	ST



21 Excess-current

POS	Article no.	Description	Quantity	Unit	Remark	Foot note text
2	5.064-127.0	Cover	1.000	ST		
24	4.580-675.0	Excess-current complete D5,9 PUR	1.000	ST		
3	4.030-123.0	Moulded part complete only for replaceme	1.000	ST	VERSION 2	
4	6.362-169.0	O-Ring seal 12,0 X 2,0	1.000	ST		
6	6.362-852.0	O-Ring seal complete 3,69	1.000	ST		
11	5.060-642.0	Piston guidance	1.000	ST		
100	2.883-826.0	PUMP SET	1.000	ST		
1	7.303-048.0	Screw M6x20 -St-R3R (In6Rd)	2.000	ST		
10	2.883-832.0	Spare part set neutrally piston guidance	1.000	ST		ELECTRIC BOX ITM8/B5 INCLUDED TO SPARE PART KIT 2.883-832
7	7.777-999.0	Stockpiling discontinued	1.000	ST	VERSION 1	NO LONGER AVAILABLE/ PLEASE ORDER POS.24



3 Moulded part complete only for replaceme (4.030-123.0)

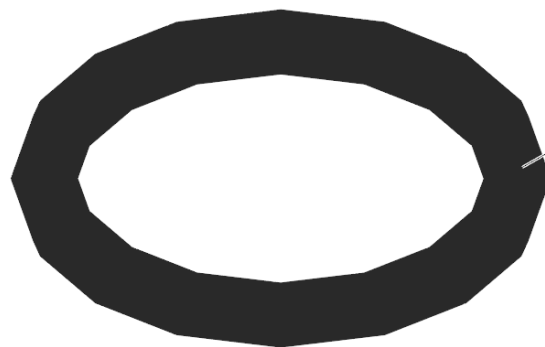
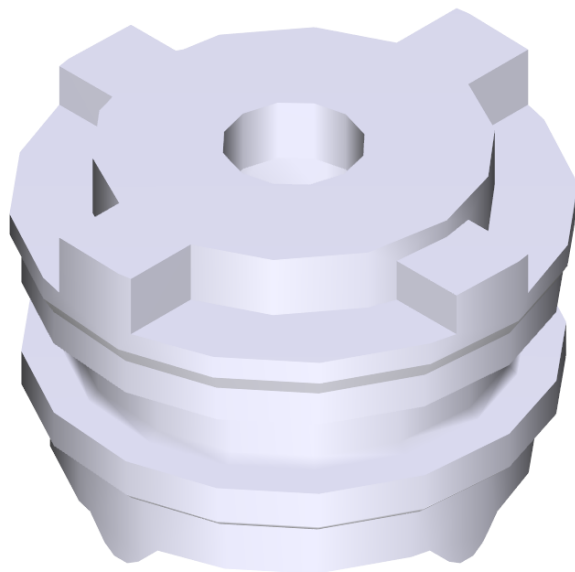
POS	Article no.	Description	Quantity	Unit
94	6.362-169.0	O-Ring seal 12,0 X 2,0	1.000	ST

100 PUMP SET (2.883-826.0)

POS	Article no.	Description	Quantity	Unit
90	5.063-755.0	Cover excess-current	1.000	ST
80	4.580-325.0	Excess-current complete	1.000	ST
130	6.365-394.0	Grooved ring 12x20x5,3/2,8	3.000	ST
140	7.311-003.0	Hexagon nut M6 -8-A2E ISO 4032	2.000	ST
10	4.030-045.0	Joining piece only for replacement	1.000	ST
20	4.030-069.0	Moulded part complete only for replaceme	1.000	ST
120	6.362-852.0	O-Ring seal complete 3,69	1.000	ST
60	4.580-307.0	Pressure valve complete	3.000	ST
110	6.303-265.0	Self-tapping screw M6x20	2.000	ST
70	4.580-308.0	Suction valve complete	3.000	ST
30	4.030-070.0	Throttle complete	1.000	ST
40	4.132-010.0	Valve plug complete	2.000	ST
50	4.132-011.0	Valve plug complete	1.000	ST
100	5.115-674.0	Washer	3.000	ST

10 Joining piece only for replacement (4.030-045.0)

POS	Article no.	Description	Quantity	Unit
120		Grease	0.400	G
80	6.362-176.0	O-Ring seal 6,07x1,78	2.000	ST



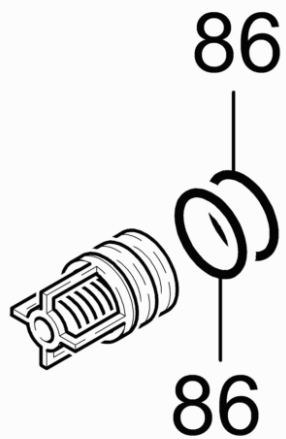
94

20 Moulded part complete only for replaceme (4.030-069.0)

POS	Article no.	Description	Quantity	Unit
94	6.362-169.0	O-Ring seal 12,0 X 2,0	1.000	ST

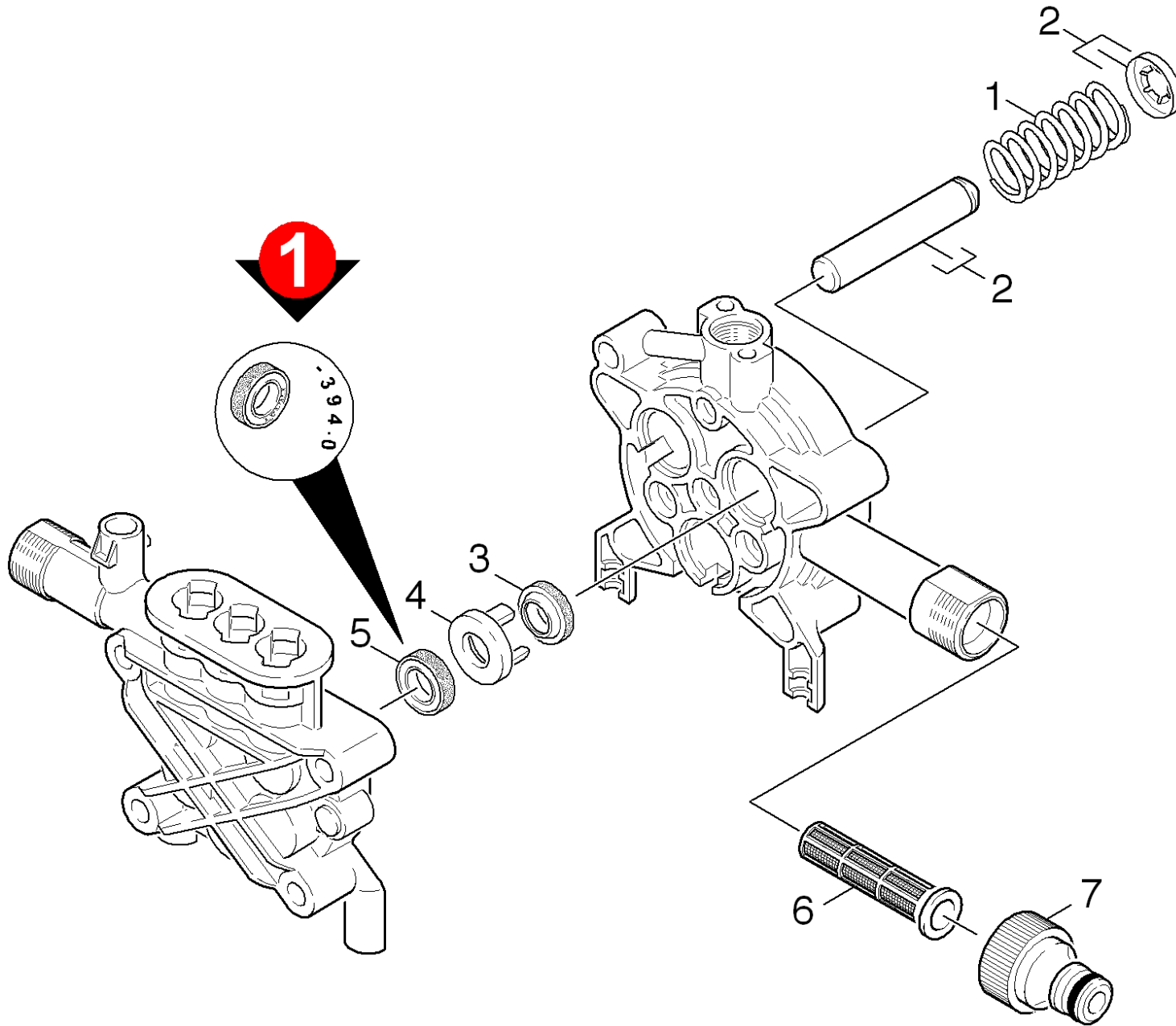
50 Valve plug complete (4.132-011.0)

POS	Article no.	Description	Quantity	Unit
120		Grease	0.400	G
85	6.362-458.0	O-Ring seal 11,0x2,0-NBR 70	1.000	ST



70 Suction valve complete (4.580-308.0)

POS	Article no.	Description	Quantity	Unit
86	6.363-614.0	O-Ring seal 9 x 2 -NBR90	2.000	ST



22 Piston

POS	Article no.	Description	Quantity	Unit	Remark	Foot note text
7	6.465-031.0	Connection 3/4	1.000	ST		
6	5.731-011.0	Fine filter	1.000	ST		
5	6.362-875.0	Grooved ring	3.000	ST	VERSION 2	
5	6.365-394.0	Grooved ring 12x20x5,3/2,8	3.000	ST	VERSION 1	
3	6.365-393.0	Oil sealing 12x20x4/6	3.000	ST		
2	4.553-173.0	Piston complete	3.000	ST		
1	5.332-391.0	Pressure spring	3.000	ST		
4	5.116-175.0	Washer	3.000	ST		YELLOW
4	5.115-674.0	Washer	3.000	ST		NATURE

2 Piston complete (4.553-173.0)

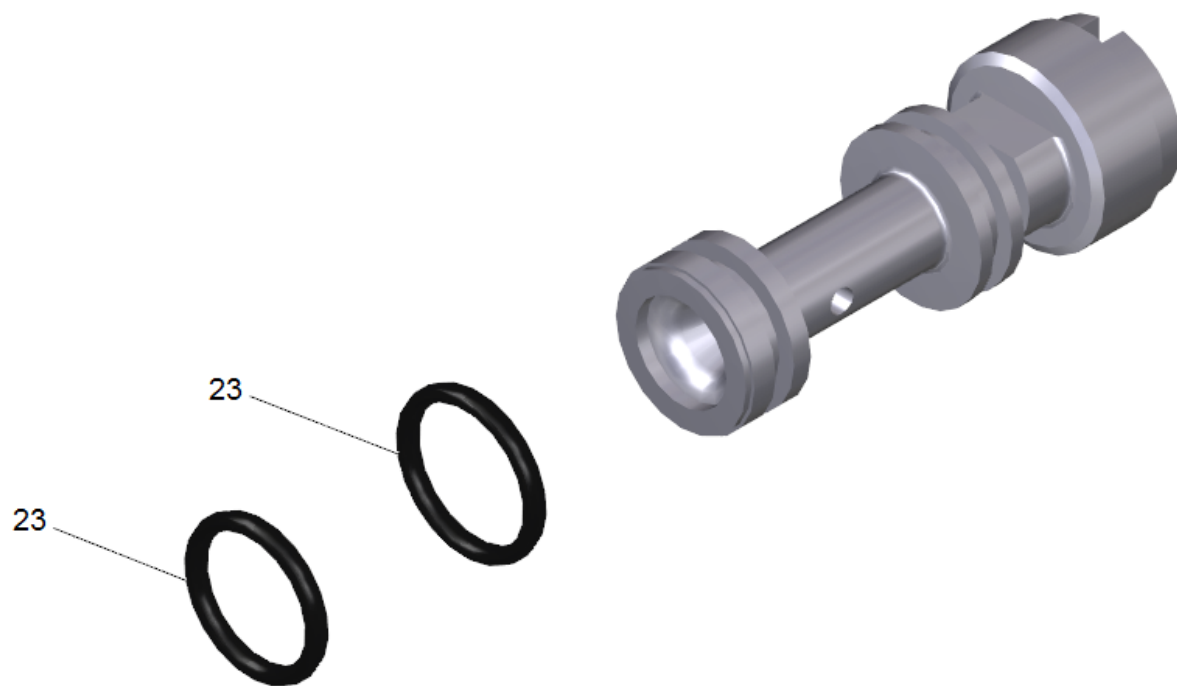
POS	Article no.	Description	Quantity	Unit
32	5.115-916.0	Lock washer piston	1.000	ST

23 Cylinder head

POS	Article no.	Description	Quantity	Unit	Foot note text
16	5.550-331.0	Cylinder head	1.000	ST	
5	4.862-032.0	Filter chemistry regulation	1.000	ST	
14	7.311-003.0	Hexagon nut M6 -8-A2E ISO 4032	2.000	ST	
22	6.388-216.0	Hose DN 5	1.000	M	TO ORDER AS CUT GOODS
12	4.030-125.0	Joining piece only for replacement	1.000	ST	
6	4.769-034.0	Nozzle insert only for replacement	1.000	ST	
9	6.363-613.0	O-Ring seal 4 x 2 -NBR90	1.000	ST	
7	6.362-384.0	O-Ring seal 9x1,5 - NBR 70	2.000	ST	
1	6.363-273.0	O-Ring seal 11,0 x 2,0	3.000	ST	
15	7.306-154.0	Screw M8x75 -8.8-A3R (In6Rd)	4.000	ST	
17	2.883-158.0	Spare part set	1.000	ST	
11	4.030-070.0	Throttle complete	1.000	ST	
3	2.884-873.0	Valve (3 Stueck)	1.000	ST	
13	2.884-877.0	Valve (3 Stueck)	1.000	ST	
8	4.584-022.0	Valve pin complete	1.000	ST	
2	4.132-010.0	Valve plug complete	2.000	ST	
4	4.132-011.0	Valve plug complete	1.000	ST	

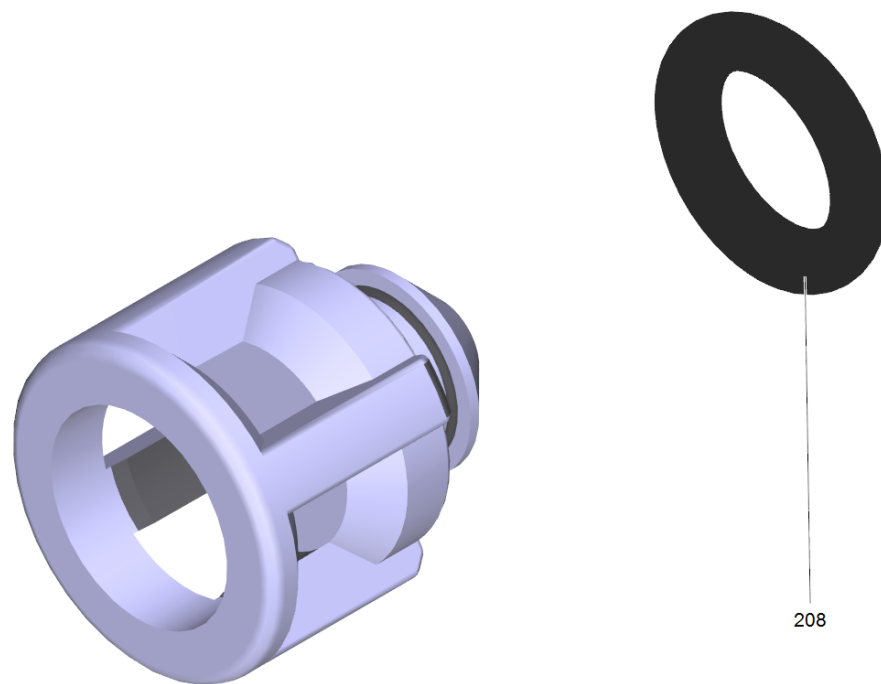
4 Valve plug complete (4.132-011.0)

POS	Article no.	Description	Quantity	Unit
120		Grease	0.400	G
85	6.362-458.0	O-Ring seal 11,0x2,0-NBR 70	1.000	ST



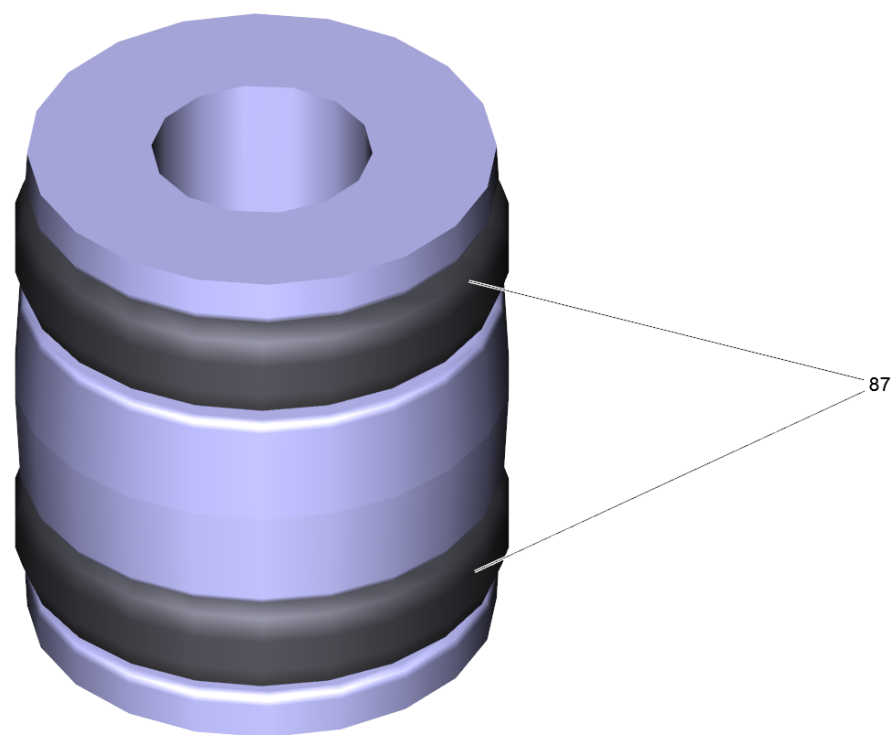
6 Nozzle insert only for replacement (4.769-034.0)

POS	Article no.	Description	Quantity	Unit
23	6.362-384.0	O-Ring seal 9x1,5 - NBR 70	2.000	ST



8 Valve pin complete (4.584-022.0)

POS	Article no.	Description	Quantity	Unit
208	6.363-613.0	O-Ring seal 4 x 2 -NBR90	1.000	ST



12 Joining piece only for replacement (4.030-125.0)

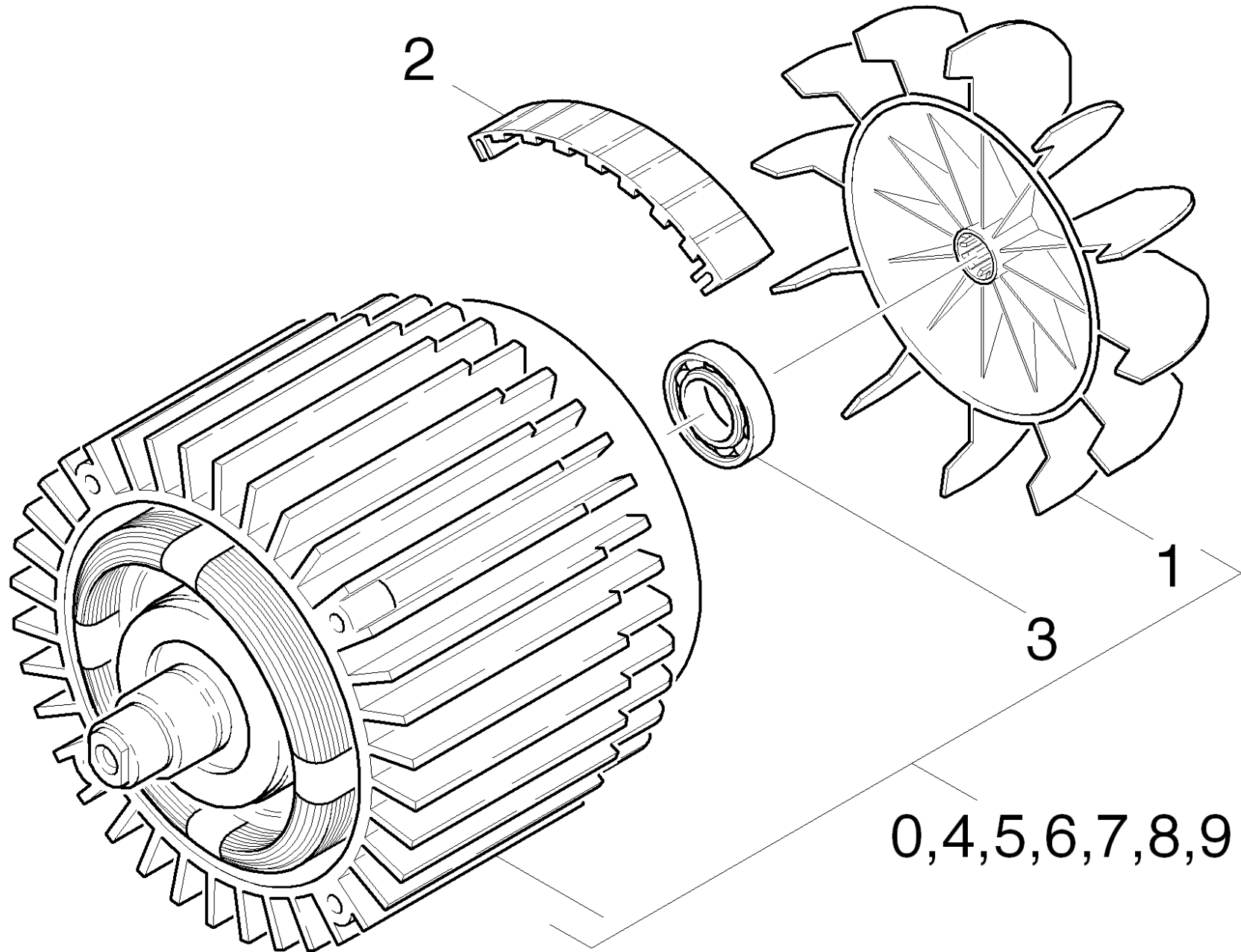
POS	Article no.	Description	Quantity	Unit
87	6.362-176.0	O-Ring seal 6,07x1,78	2.000	ST

17 Spare part set (2.883-158.0)

POS	Description	Quantity	Unit
10	Spare part set chemistry	1.000	ST

30 Motor

POS	Description	Quantity	Unit
32	Transmission	1.000	ST
31	Ventilation	1.000	ST



31 Ventilation

POS	Article no.	Description	Quantity	Unit	Serial number from	Serial number to
3	7.401-128.0	Ball bearing 6202-2RS -Wälzl.St DIN 625	1.000	ST		
1	5.600-038.0	Blower wheel	1.000	ST		
2	5.763-039.0	Insulating	1.000	ST		363449
0	4.623-379.0	Motor complete	1.000	ST		363449
0	4.623-379.0	Motor complete	1.000	ST	363450	
8	4.623-928.0	Motor complete -K5.20	1.000	ST	10020	
	Item text1: 1.069-956.0					
9	4.623-928.0	Motor complete -K5.20	1.000	ST	10000	
	Item text1: 1.069-957.0					
7	4.623-928.0	Motor complete -K5.20	1.000	ST	14914	
	Item text1: 1.069-953.0					
4	4.623-928.0	Motor complete -K5.20	1.000	ST	843599	
	Item text1: 1.069-120.0					
5	4.623-928.0	Motor complete -K5.20	1.000	ST	238304	
	Item text1: 1.069-894.0					
6	4.623-928.0	Motor complete -K5.20	1.000	ST	134050	
	Item text1: 1.069-952.0					

32 Transmission

POS	Article no.	Description	Quantity	Unit	Serial number from	Serial number to	Remark
6	7.401-010.0	Ball bearing 6303 -St DIN 625	1.000	ST	363450		
6	7.401-155.0	Ball bearing 6304-WAELZLAGERST DIN 625	1.000	ST		363449	
3	5.093-226.0	Bearing plate A	1.000	ST		363449	
8	6.304-048.0	Cylinder head screw M6x19	1.000	ST			
1	6.288-050.0	Engine oil 1L	1.000	ST			VERSION 1
9	5.363-466.0	Joint ring	1.000	ST	363450		
0	4.623-379.0	Motor complete	1.000	ST	363450		
0	4.623-379.0	Motor complete	1.000	ST		363449	
15	4.623-928.0	Motor complete -K5.20	1.000	ST	10000		
	Item text1: 1.069-957.0						
10	4.623-928.0	Motor complete -K5.20	1.000	ST	843599		
	Item text1: 1.069-120.0						
13	4.623-928.0	Motor complete -K5.20	1.000	ST	14914		
	Item text1: 1.069-953.0						
12	4.623-928.0	Motor complete -K5.20	1.000	ST	134050		
	Item text1: 1.069-952.0						
11	4.623-928.0	Motor complete -K5.20	1.000	ST	238304		
	Item text1: 1.069-894.0						
14	4.623-928.0	Motor complete -K5.20	1.000	ST	10020		
	Item text1: 1.069-956.0						
5	6.362-471.0	O-Ring seal 80,0 X 3,0 -NBR 70	1.000	ST			
2	7.367-002.0	Radial shaft seal ring A17x35x7-NBR DIN	1.000	ST	363450		
2	7.367-018.0	Radial shaft seal ring A26x37x7 -NBR DI	1.000	ST		363449	
4	6.303-320.0	Screw M 5x 20-St-R2R	4.000	ST			
3	2.883-874.0	Spare part set	1.000	ST	402840		
1	6.964-092.0	Viscous oil 50ml	1.000	ST			VERSION 2
7	6.401-300.0	Wobble plate	1.000	ST	363450		
7	6.401-256.3	Wobble plate	1.000	ST		363449	
20	6.401-426.0	Wobble plate 9_42	1.000	ST	10020		
	Item text1: 1.069-956.0						
21	6.401-426.0	Wobble plate 9_42	1.000	ST	10000		

32 Transmission

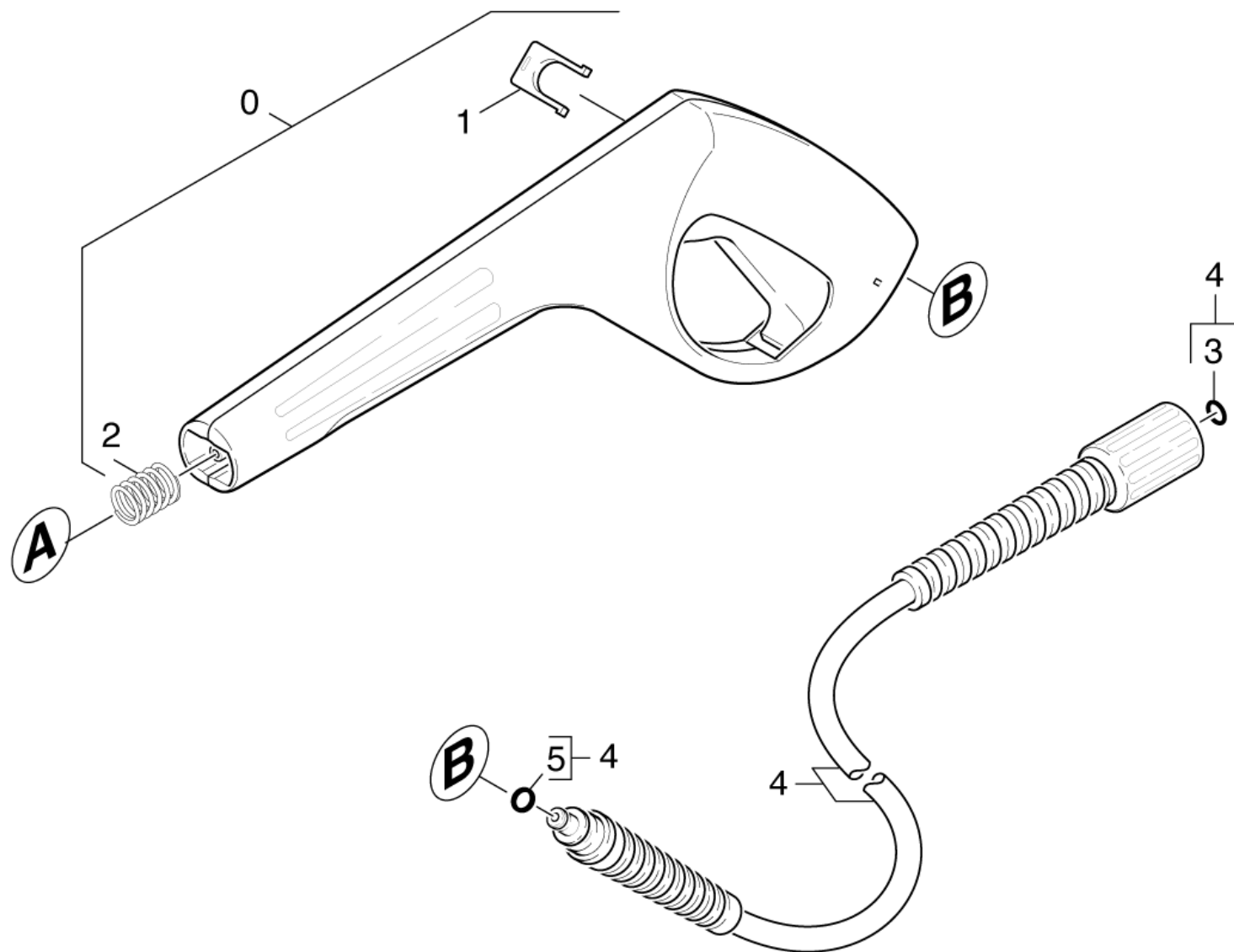
POS	Article no.	Description	Quantity	Unit	Serial number from	Serial number to	Remark
		Item text1: 1.069-957.0					
19	6.401-426.0	Wobble plate 9_42	1.000	ST	14914		
		Item text1: 1.069-953.0					
18	6.401-426.0	Wobble plate 9_42	1.000	ST	134050		
		Item text1: 1.069-952.0					
16	6.401-426.0	Wobble plate 9_42	1.000	ST	843599		
		Item text1: 1.069-120.0					
17	6.401-426.0	Wobble plate 9_42	1.000	ST	238304		
		Item text1: 1.069-894.0					

40 Accessories

POS	Description	Quantity	Unit	Remark
41	Hand trigger gun	1.000	ST	VERSION 1
43	Hand trigger gun	1.000	ST	VERSION 3
42	Hand trigger gun	1.000	ST	VERSION 2
44	Jet pipe	1.000	ST	
48	Surface cleaner	1.000	ST	T 300
47	Surface cleaner	1.000	ST	T 250
45	Surface cleaner	1.000	ST	T 100
46	Surface cleaner	1.000	ST	T 200
49	Water filter	1.000	ST	

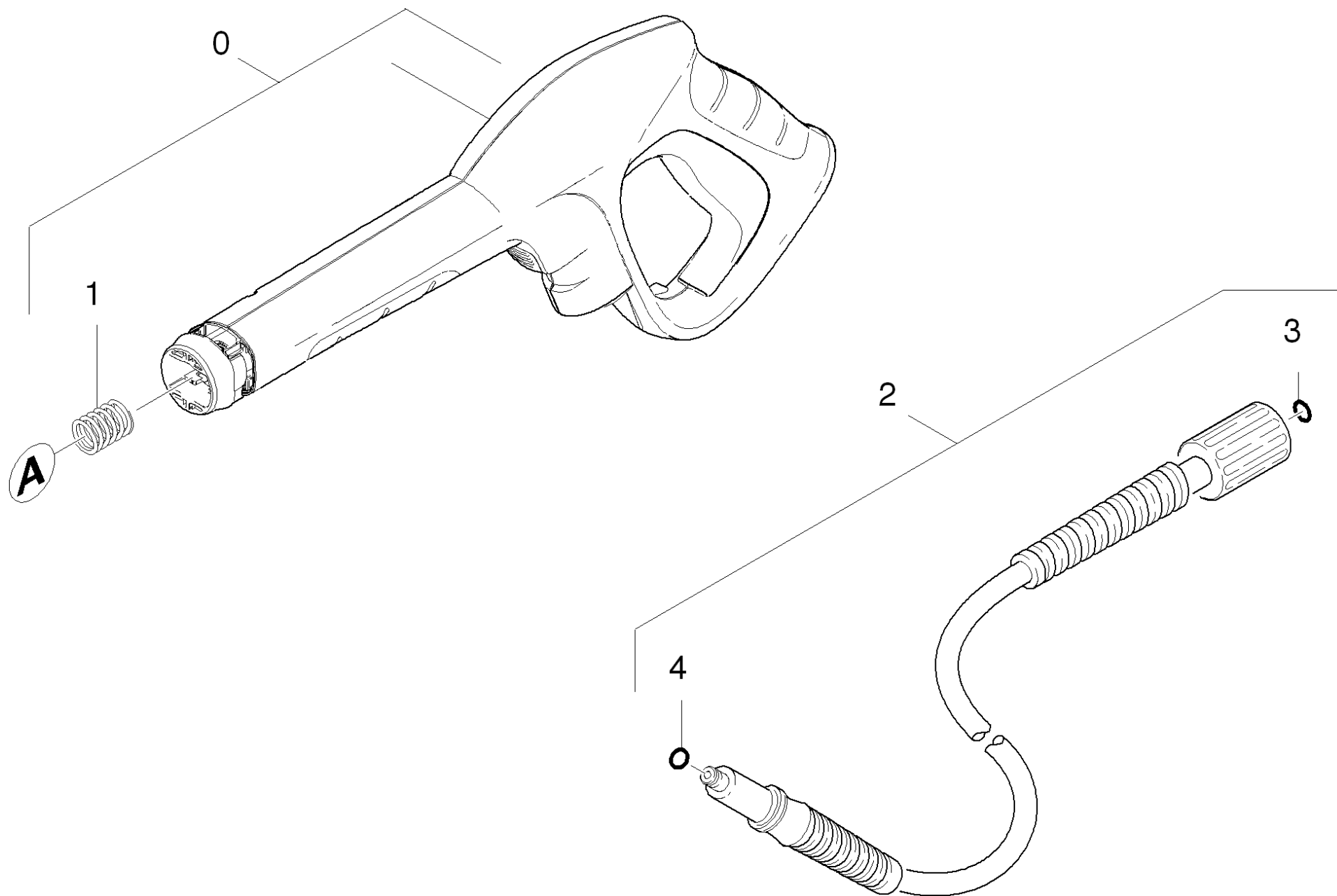
41 Hand trigger gun

POS	Article no.	Description	Quantity	Unit
7	5.107-147.0	Bar	1.000	ST
1	5.321-512.0	Handhold few	1.000	ST
9	5.332-157.0	Helical spring	1.000	ST
17	6.389-555.0	High pressure hose 9/16MPa 60G MU=50,E	1.000	ST
11	4.481-105.0	Lever complete	1.000	ST
3	5.481-189.0	Lever locking part	1.000	ST
2	6.303-122.0	M4 .2X13 DIN 7981 TORX T15 PAN HD HI/LO	9.000	ST
4	4.427-178.0	Manifold complete	1.000	ST
6	7.362-502.0	O-Ring seal 2,8x1,6-NBR 70 DIN 3770	1.000	ST
16	6.362-498.0	O-Ring seal 6,75x1,78 NBR 70	1.000	ST
10	6.362-479.0	O-Ring seal 7,59X 2,62	1.000	ST
12	5.314-082.0	Pin -BONEZZI 12.022.706	1.000	ST
0	4.775-264.0	Pistol only for replacement 96	1.000	ST
15	5.332-349.0	Pressure spring	1.000	ST
13	5.110-539.0	Sleeve	1.000	ST
5	2.880-990.0	Spare part set O-Ring 5x -Kaercher	1.000	ST
14	5.028-905.0	Tube pistol	1.000	ST
8	5.582-058.0	Valve disc	1.000	ST



42 Hand trigger gun

POS	Article no.	Description	Quantity	Unit
1	5.037-140.0	Clamp	1.000	ST
4	6.390-463.0	H 9 high pressure hose	1.000	ST
3	2.880-154.0	O-Ring kit	1.000	ST
5	6.363-198.0	O-Ring seal 6x2 90 shore PUR	1.000	ST
2	5.332-464.0	Pressure spring	1.000	ST
0	7.777-999.0	Stockpiling discontinued	1.000	ST



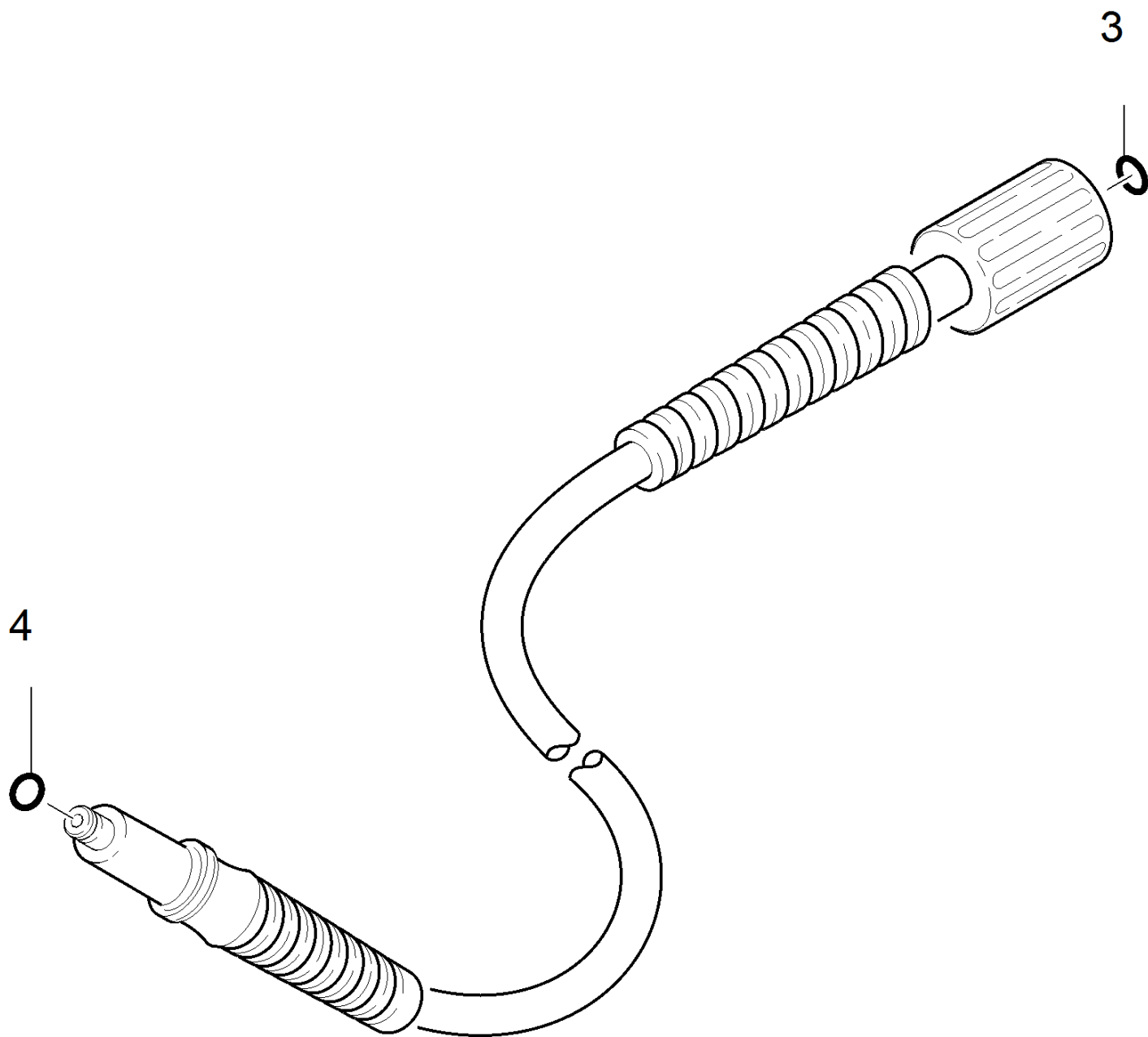
43 Hand trigger gun

POS	Article no.	Description	Quantity	Unit
0	2.642-889.0	G 180 Q Trigger gun Quick Connect	1.000	ST
2	2.641-706.0	High pressure hose 16MPa/9m 60°C, verp.	1.000	ST
4	6.363-410.0	O-Ring seal 5,7x1,78 NBR 90Shore	1.000	ST
1	5.332-464.0	Pressure spring	1.000	ST
3	2.880-990.0	Spare part set O-Ring 5x -Kaercher	1.000	ST



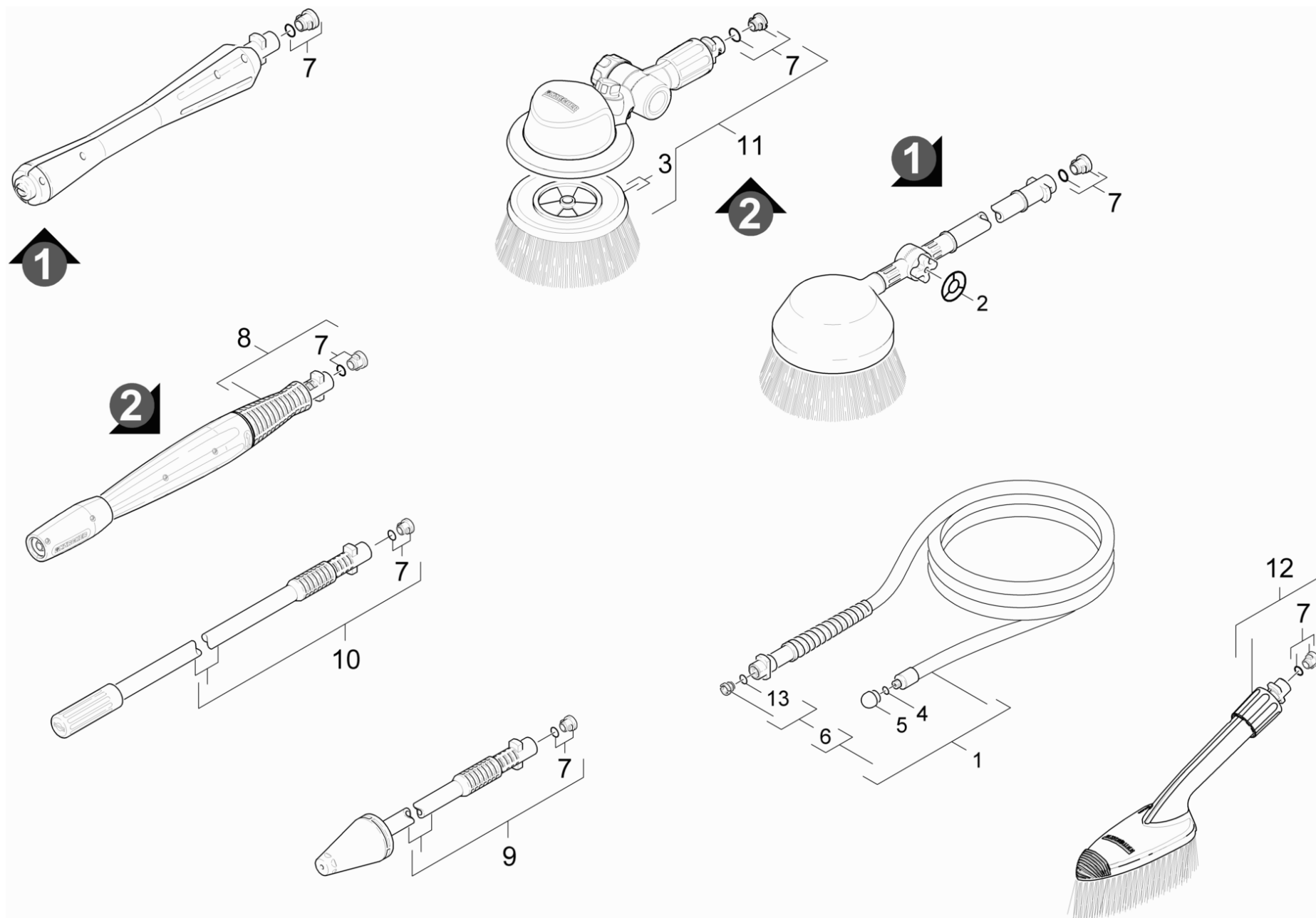
G 180 Q Trigger gun Quick Connect (2.642-889.0)

POS	Article no.	Description	Quantity	Unit
1	5.332-464.0	Pressure spring	1.000	ST



2 High pressure hose 16MPa/9m 60°C, verp. (2.641-706.0)

POS	Article no.	Description	Quantity	Unit
4	6.363-410.0	O-Ring seal 5,7x1,78 NBR 90Shore	1.000	ST
3	2.880-990.0	Spare part set O-Ring 5x -Kaercher	1.000	ST



44 Jet pipe

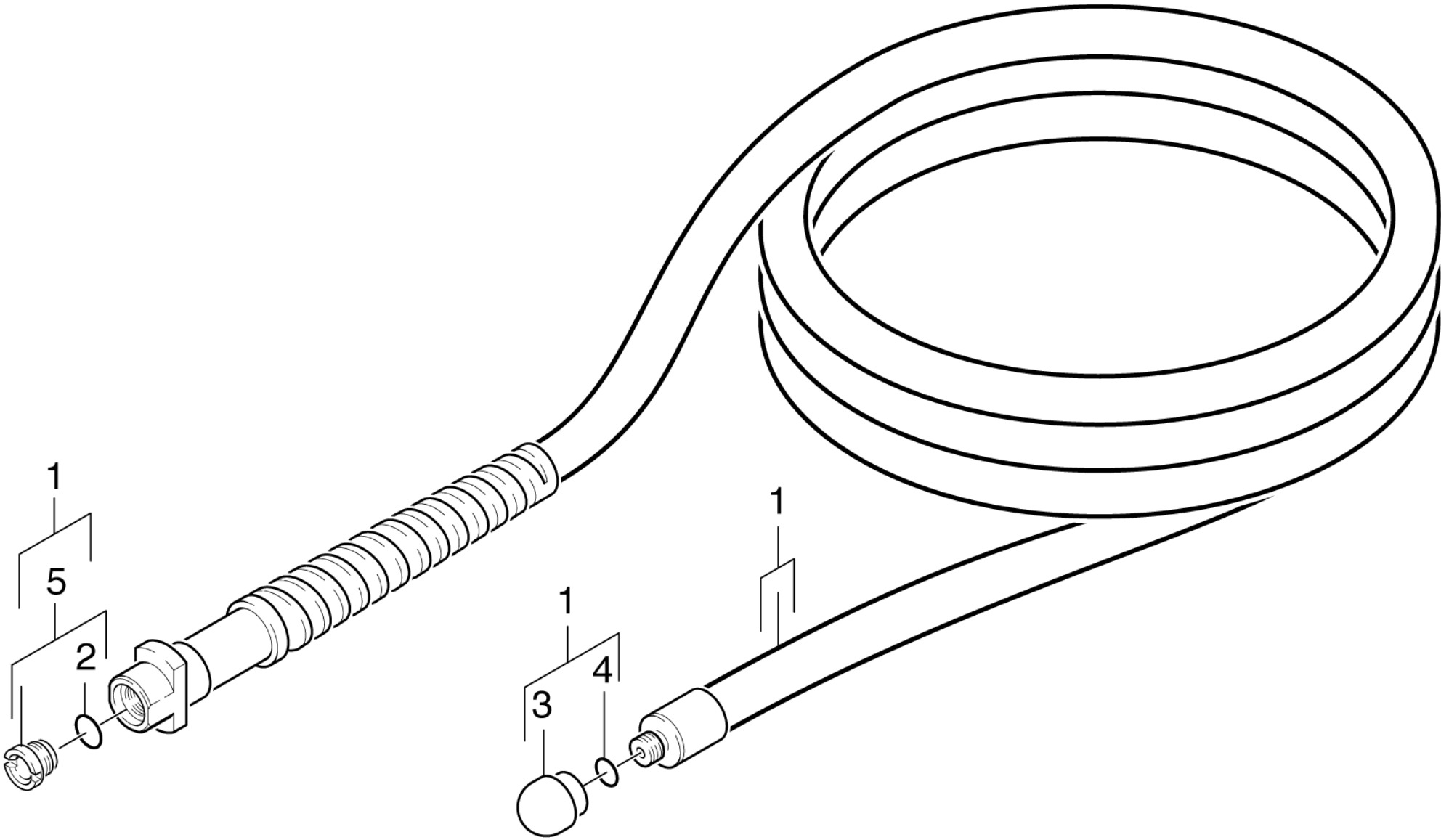
POS	Article no.	Description	Quantity	Unit	Remark
12	2.640-589.0	Brush lengthwise	1.000	ST	
3	5.762-331.0	Carrier brushes	1.000	ST	
9	2.643-243.0	DB 160 rotor nozzle	1.000	ST	
9	2.643-243.0	DB 160 rotor nozzle	1.000	ST	VERS. 1
	Item text1: / 1.069-800.0 / -894.0 / -895.0				
9	4.764-244.0	Dirt blaster K2 0295 St	1.000	ST	VERS. 2
	Item text1: 1.069-121.0/-320.0/-800.0/-894.0/-895.0 /918.0/-919.0/-926.0/-939.0/-941.0/-942.0/-953.0/-956.0/-957.0				
2	6.365-364.0	Form seal	1.000	ST	
5	5.763-022.0	Nozzle Kärcher	1.000	ST	
13	6.362-642.0	O-Ring d. 7,65x1,78 -NBR 80	1.000	ST	
4	6.362-388.0	O-Ring seal 8,0x1,5 -EPDM 70	1.000	ST	
7	2.640-729.0	O-Ring seal set	3.000	ST	
1	2.637-729.0	PC 7.5 pipe cleaning set	1.000	ST	
6	2.883-112.0	Spare part set screw plug	1.000	ST	
10	7.777-999.0	Stockpiling discontinued	1.000	ST	
8	4.760-524.0	VPS K5 033	1.000	ST	
11	2.643-236.0	WB 100 washing brush	1.000	ST	

1 PC 7.5 pipe cleaning set (2.637-729.0)

POS	Article no.	Description	Quantity	Unit
100	5.952-715.0	Spare parts list pipe cleaning set	1.000	ST

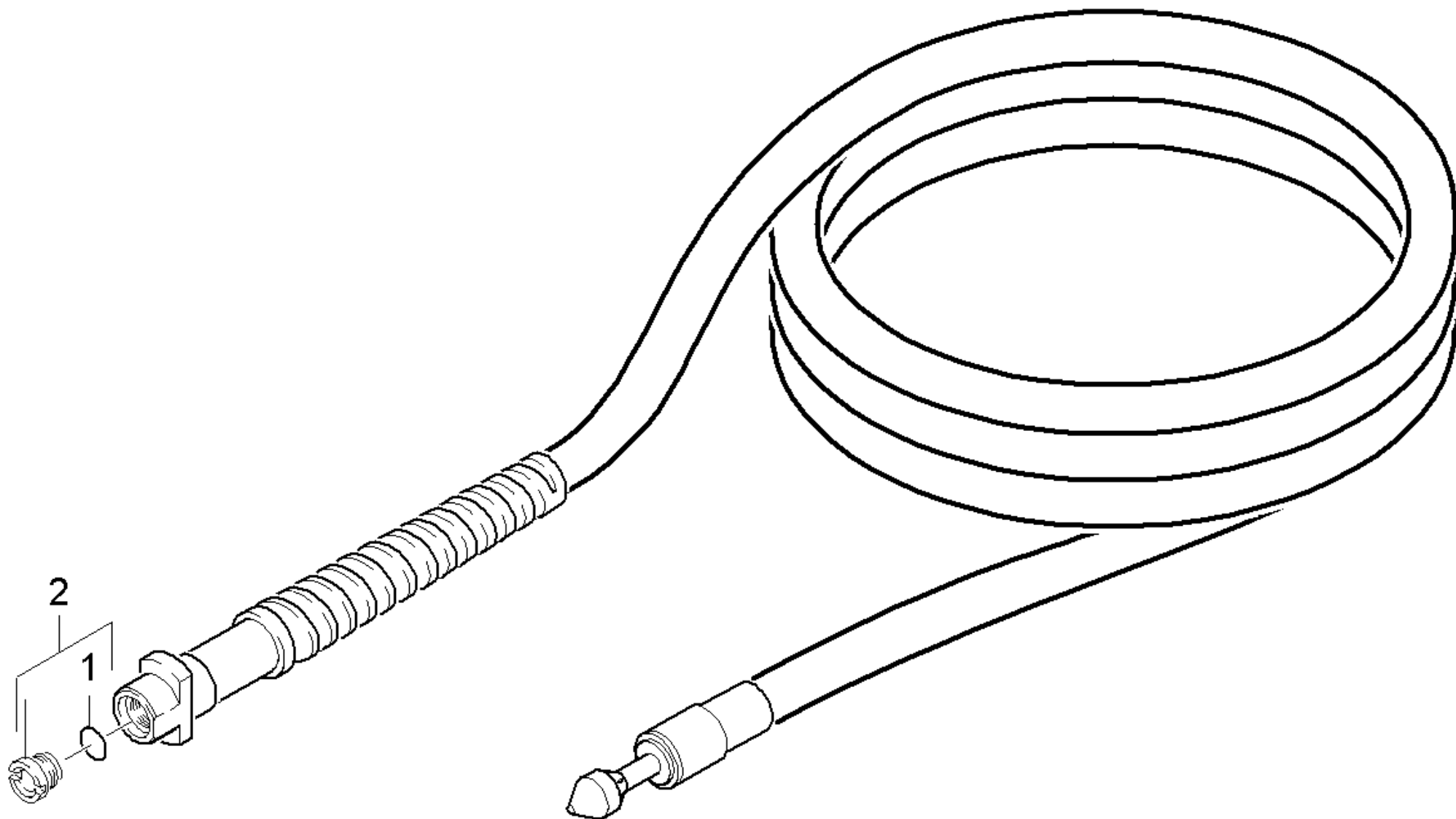
100 Spare parts list pipe cleaning set (5.952-715.0)

POS	Description	Quantity	Unit	Remark
20	Pipe cleaning hose	1.000	ST	VERSION 2
10	Pipe cleaning hose	1.000	ST	VERSION 1



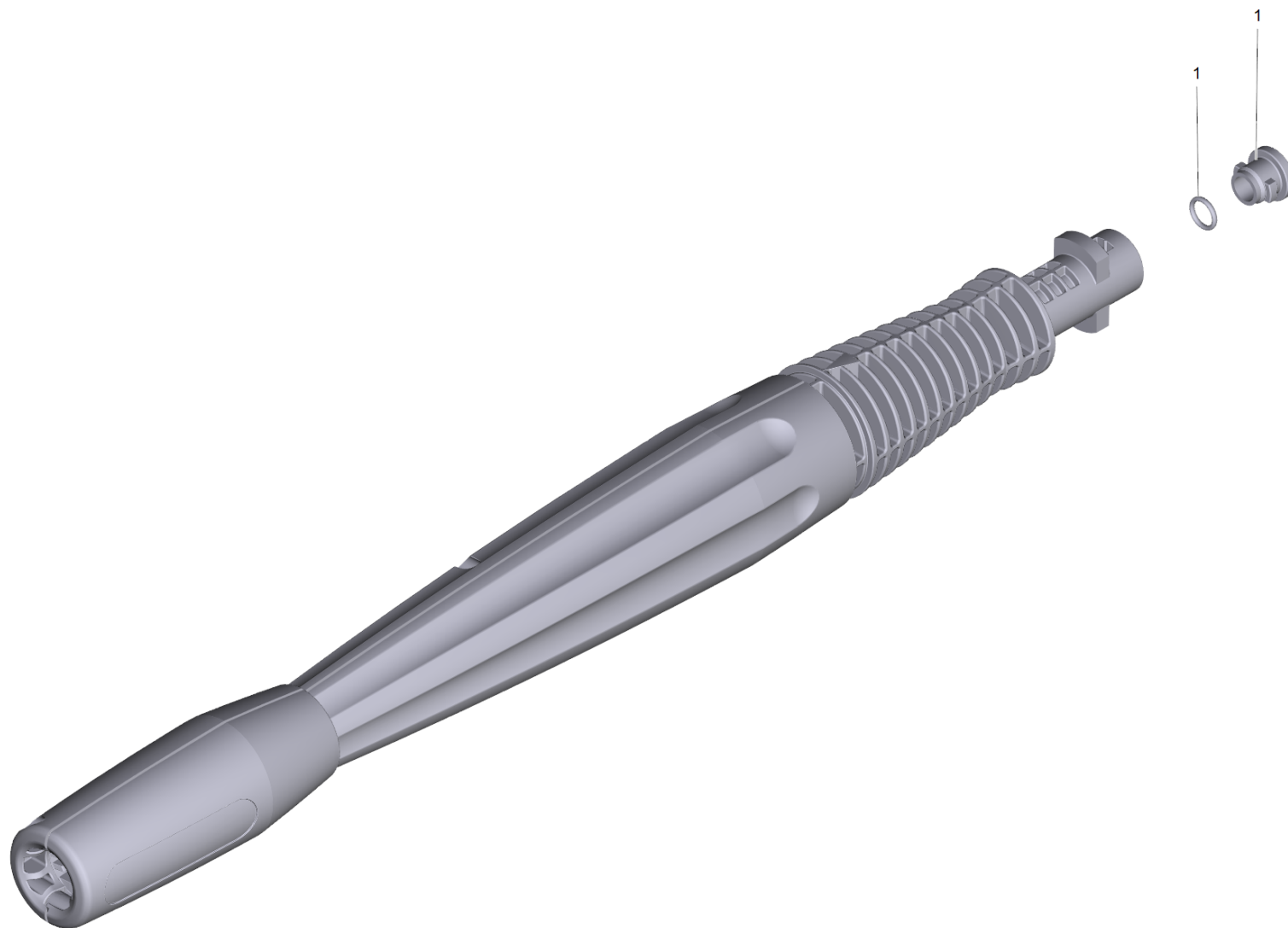
10 Pipe cleaning hose

POS	Article no.	Description	Quantity	Unit
3	5.763-022.0	Nozzle Kärcher	1.000	ST
2	6.362-182.0	O-Ring seal 7,65x1,78 - NBR 90	1.000	ST
4	6.362-388.0	O-Ring seal 8,0x1,5 -EPDM 70	1.000	ST
5	2.883-112.0	Spare part set screw plug	1.000	ST
	Item text1: / 2.637-729.0			
1	7.777-999.0	Stockpiling discontinued	1.000	ST

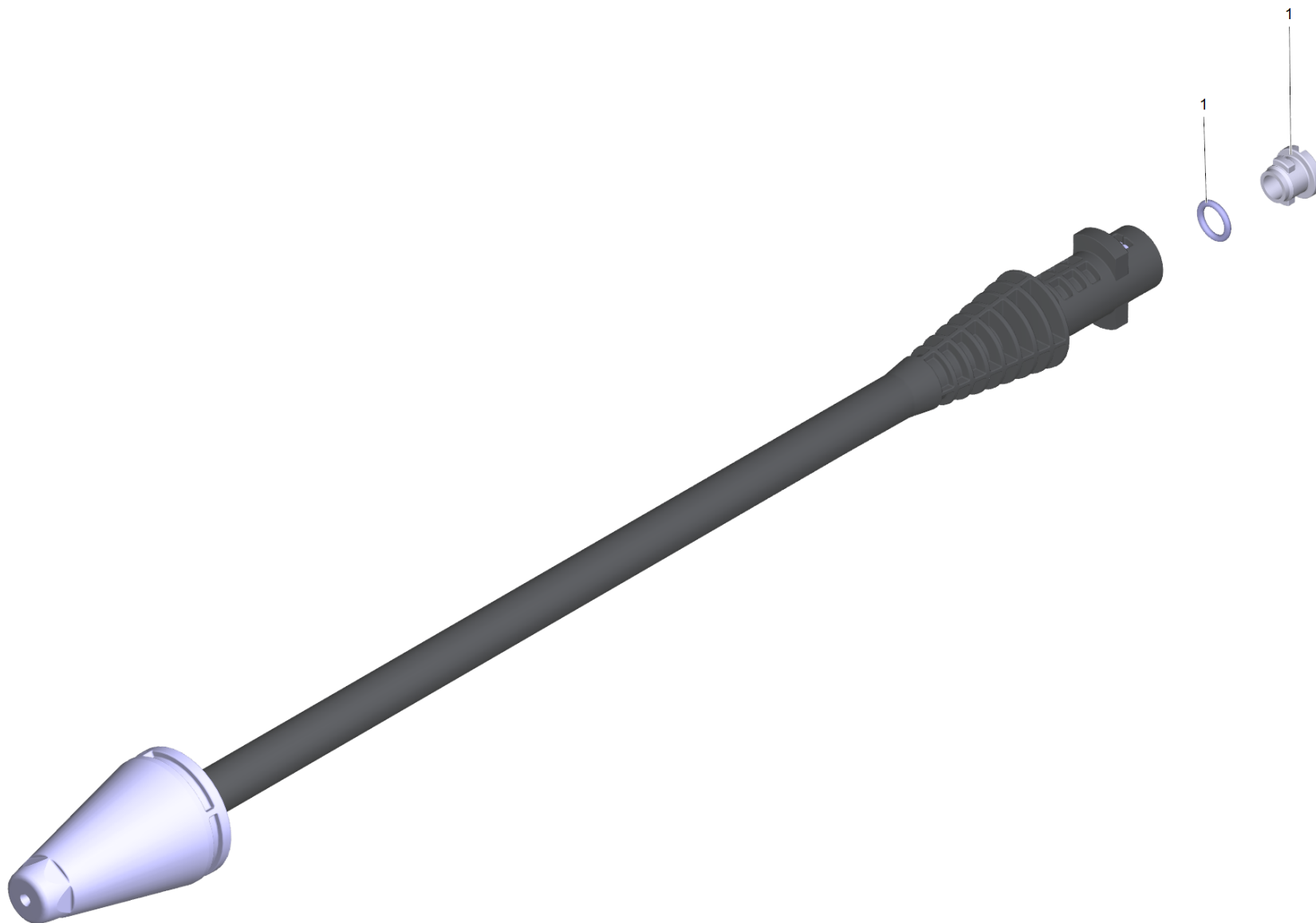


20 Pipe cleaning hose

POS	Article no.	Description	Quantity	Unit
1	6.362-642.0	O-Ring d. 7,65x1,78 -NBR 80	1.000	ST
2	2.883-112.0	Spare part set screw plug	1.000	ST

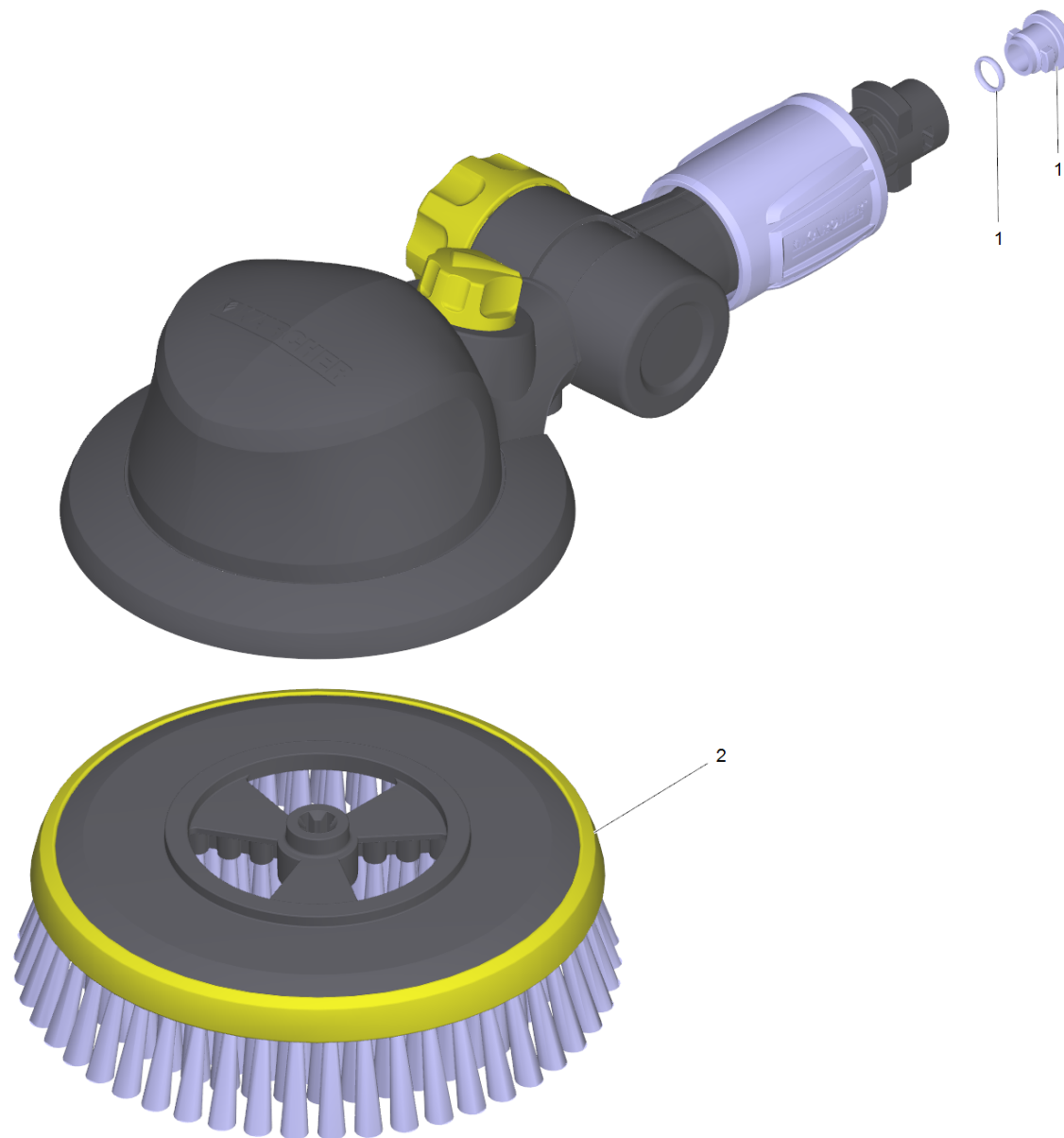


POS	Article no.	Description	Quantity	Unit
1	2.640-729.0	O-Ring seal set	1.000	ST



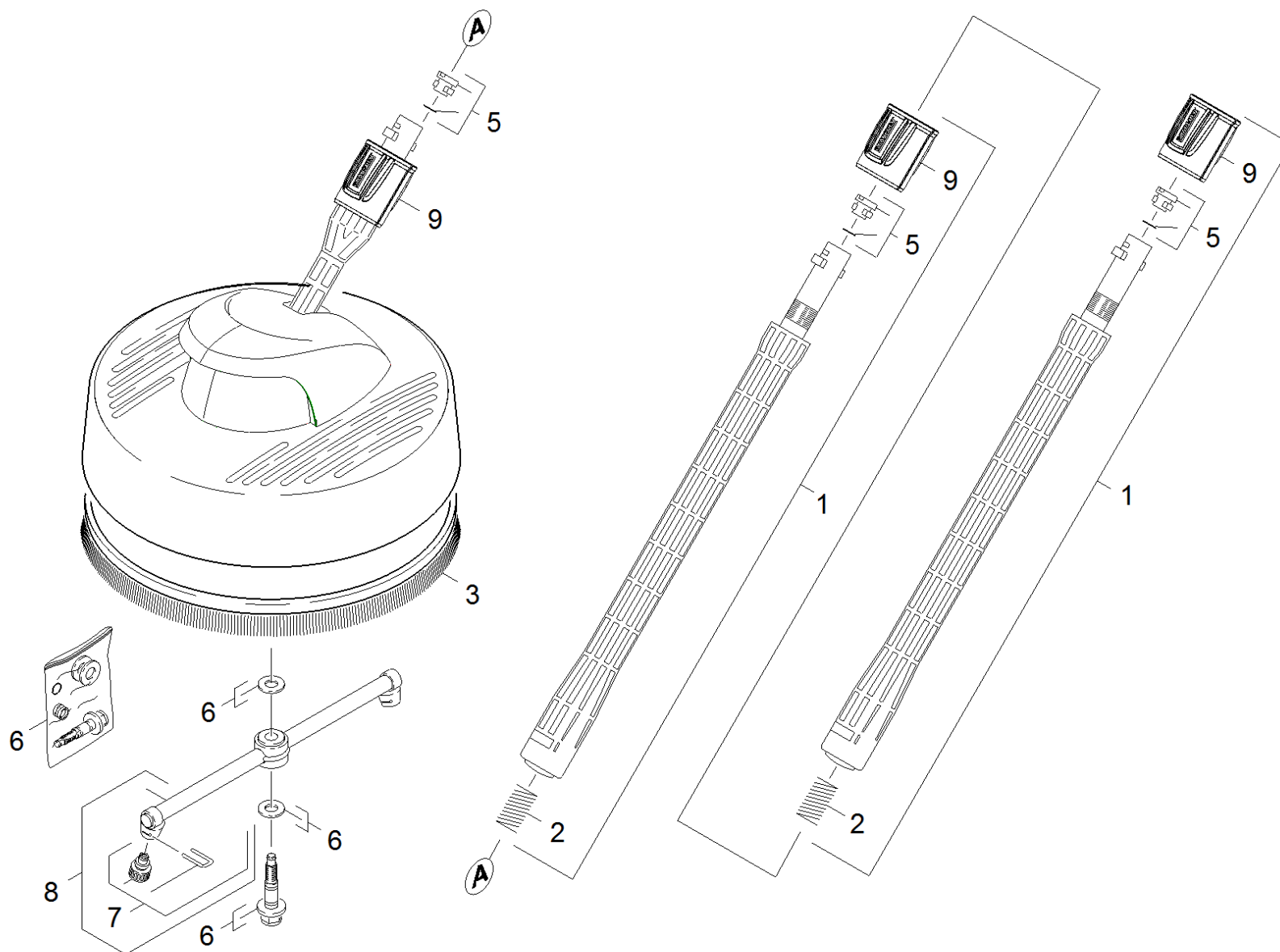
9 Dirt blaster K2 0295 St (4.764-244.0)

POS	Article no.	Description	Quantity	Unit
1	2.640-729.0	O-Ring seal set	1.000	ST



11 WB 100 washing brush (2.643-236.0)

POS	Article no.	Description	Quantity	Unit
2	5.762-331.0	Carrier brushes	1.000	ST
1	2.640-729.0	O-Ring seal set	1.000	ST



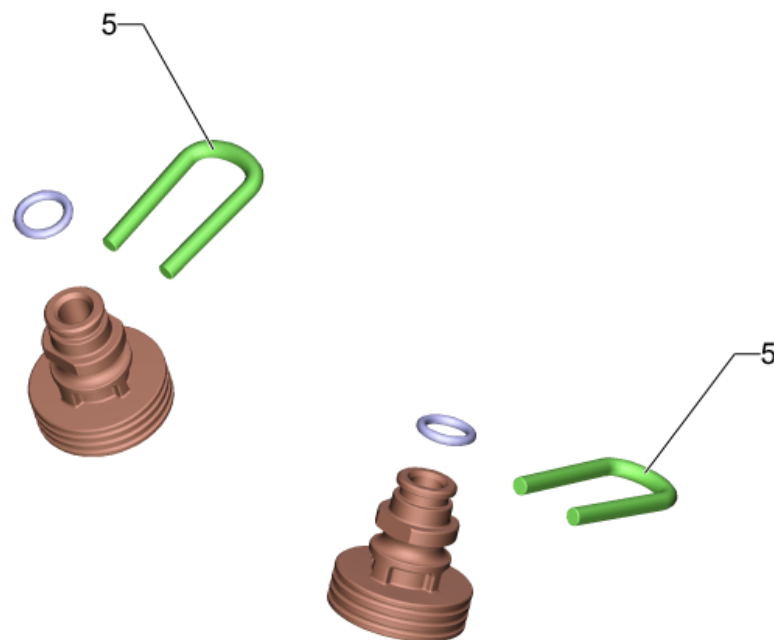
45 Surface cleaner




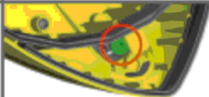




POS	Article no.	Description	Quantity	Unit
9	5.310-160.0	Nut Kaercher	3.000	ST
5	2.640-729.0	O-Ring seal set	3.000	ST
2	5.332-464.0	Pressure spring	2.000	ST
1	2.643-240.0	Single-step jet pipe extension	2.000	ST
8	2.883-998.0	Spare part set rotor	1.000	ST
6	2.883-994.0	Spare part set set of gaskets neutrally	1.000	ST
7	2.643-338.0	Spare parts nozzles T-Racer	1.000	ST
3	6.369-918.0	Strip brush	1.000	ST









1 Single-step jet pipe extension (2.643-240.0)

POS	Article no.	Description	Quantity	Unit
10	5.310-160.0	Nut Kaercher	1.000	ST
3	2.640-729.0	O-Ring seal set	1.000	ST
8	5.332-464.0	Pressure spring	1.000	ST



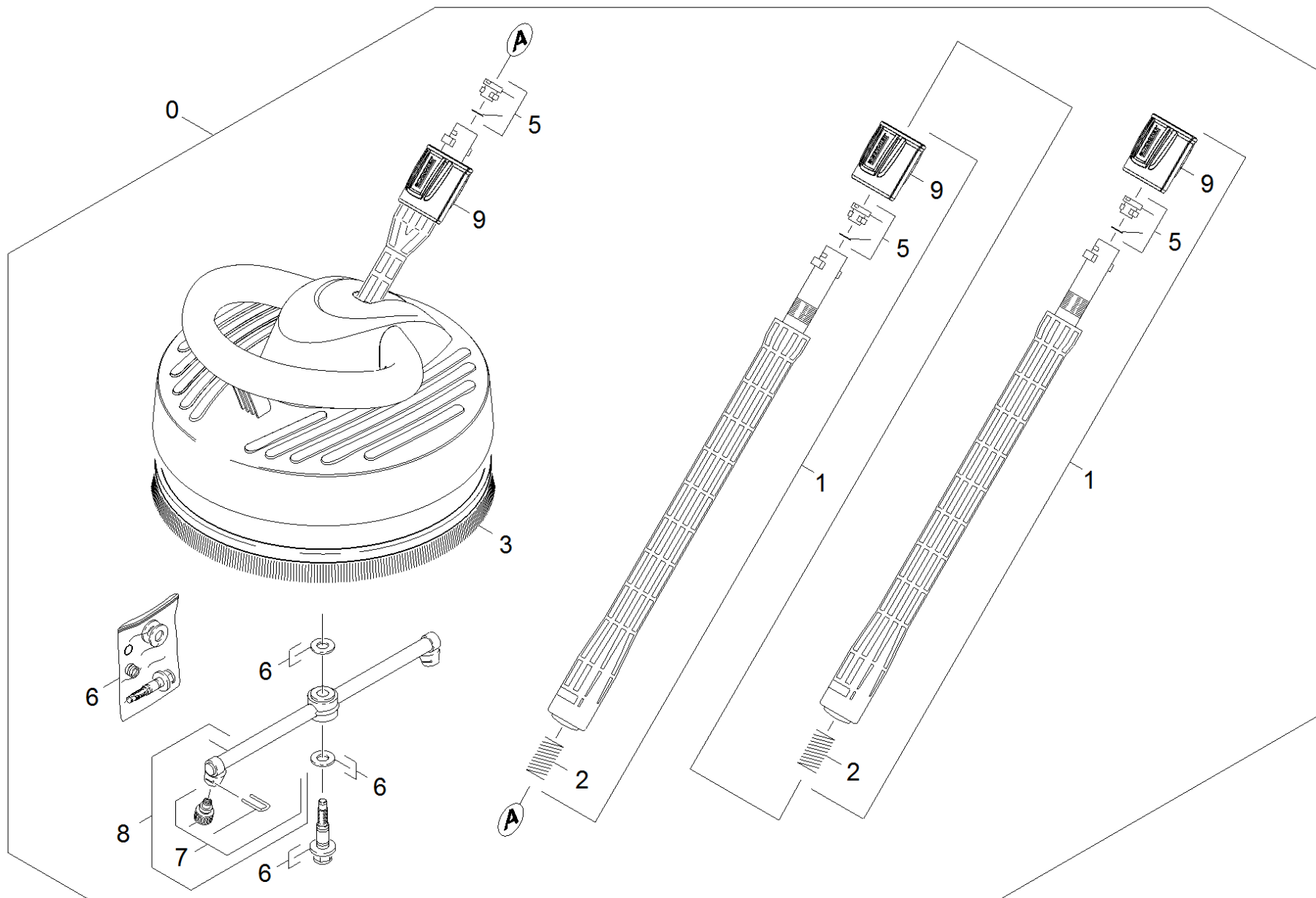
T 50, T 70, T 80, T 100 T 150, T 200, T 250, T 300, T 400, T 450, T 550	K 2 - K 5		
	K 6 - K 7		
T 400, T 450 T 550			
T 200, T 250	K 6 - K 7		
T 350 Gas			

	K 3 - K 5	
	K 6 - K 7	

	K 2	
	K 3 - K 5	

7 Spare parts nozzles T-Racer (2.643-338.0)

POS	Article no.	Description	Quantity	Unit	Remark	Foot note text
5	5.037-151.0	Clamp	2.000	ST		
1	4.764-155.0	Nozzle complete 15015	1.000	ST	<13 MPa (<130 bar)	GREY
		Item text1: 015				
2	4.764-156.0	Nozzle complete 15020	1.000	ST	13 MPa (130 bar) - 16 MPa (160 bar)	YELLOW
		Item text1: 020				
3		Nozzle complete 15027	1.000	ST		BLACK
		Item text1: 027				
4	4.764-190.0	Nozzle kpl. 75047	1.000	ST		GREEN
		Item text1: 047				



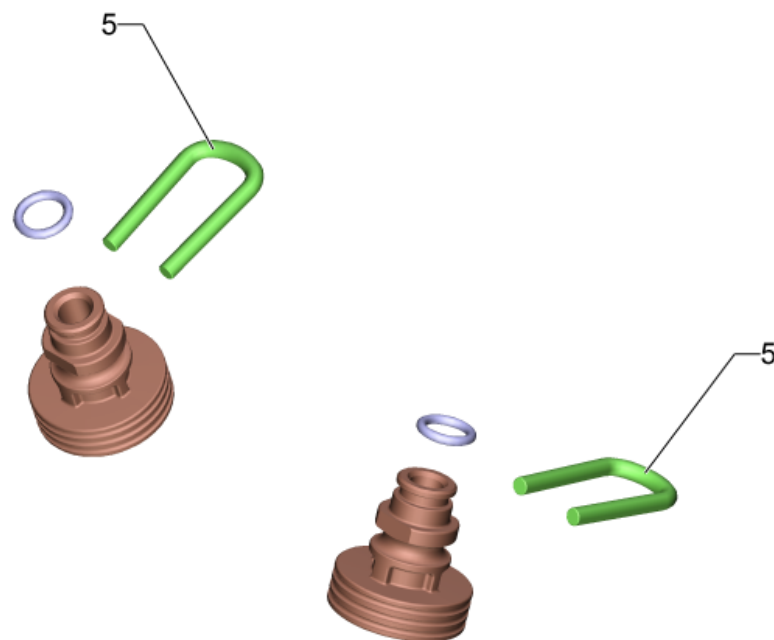
46 Surface cleaner




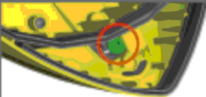




POS	Article no.	Description	Quantity	Unit	Foot note text
9	5.310-160.0	Nut Kaercher	3.000	ST	
5	2.640-729.0	O-Ring seal set	3.000	ST	
2	5.332-464.0	Pressure spring	2.000	ST	
1	2.643-240.0	Single-step jet pipe extension	2.000	ST	
7	2.641-556.0	Spare part set nozzles 027	1.000	ST	BLACK
8	2.885-003.0	Spare part set rotor neutrally	1.000	ST	
6	2.883-994.0	Spare part set set of gaskets neutrally	1.000	ST	
7	2.643-338.0	Spare parts nozzles T-Racer	1.000	ST	GREY
3	6.371-086.0	Strip brush	1.000	ST	
0	2.641-361.0	T 200 verpackt	1.000	ST	






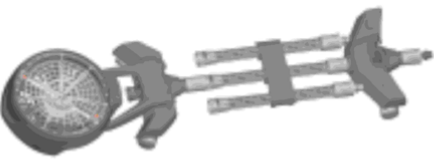


1 Single-step jet pipe extension (2.643-240.0)

POS	Article no.	Description	Quantity	Unit
10	5.310-160.0	Nut Kaercher	1.000	ST
3	2.640-729.0	O-Ring seal set	1.000	ST
8	5.332-464.0	Pressure spring	1.000	ST



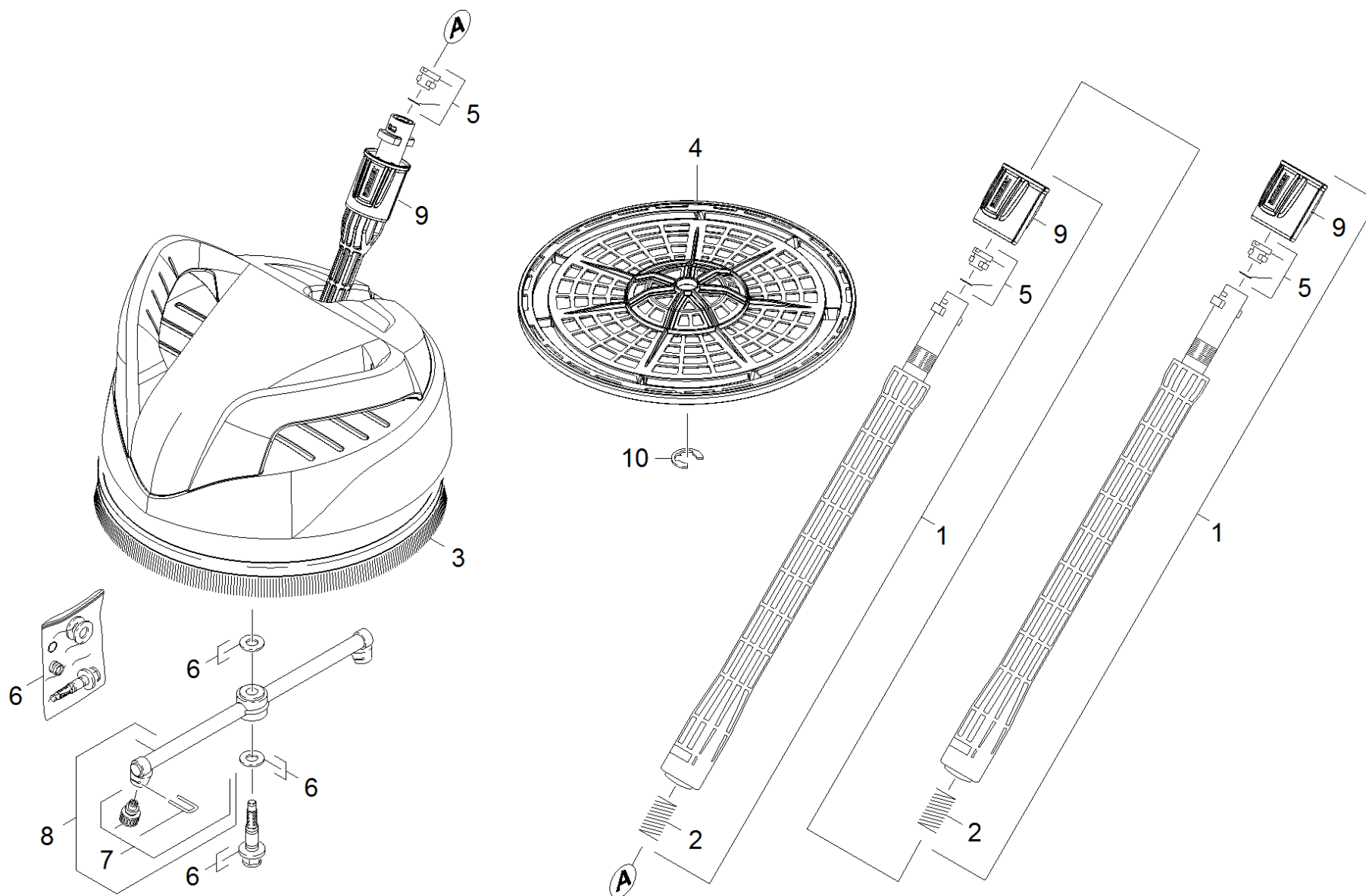
T 50, T 70, T 80, T 100 T 150, T 200, T 250, T 300, T 400, T 450, T 550	K 2 - K 5		
	K 6 - K 7		
T 400, T 450 T 550			
T 200, T 250	K 6 - K 7		
T 350 Gas			

	K 3 - K 5	
	K 6 - K 7	

	K 2	
	K 3 - K 5	

7 Spare parts nozzles T-Racer (2.643-338.0)

POS	Article no.	Description	Quantity	Unit	Remark	Foot note text
5	5.037-151.0	Clamp	2.000	ST		
1	4.764-155.0	Nozzle complete 15015	1.000	ST	<13 MPa (<130 bar)	GREY
		Item text1: 015				
2	4.764-156.0	Nozzle complete 15020	1.000	ST	13 MPa (130 bar) - 16 MPa (160 bar)	YELLOW
		Item text1: 020				
3		Nozzle complete 15027	1.000	ST		BLACK
		Item text1: 027				
4	4.764-190.0	Nozzle kpl. 75047	1.000	ST		GREEN
		Item text1: 047				



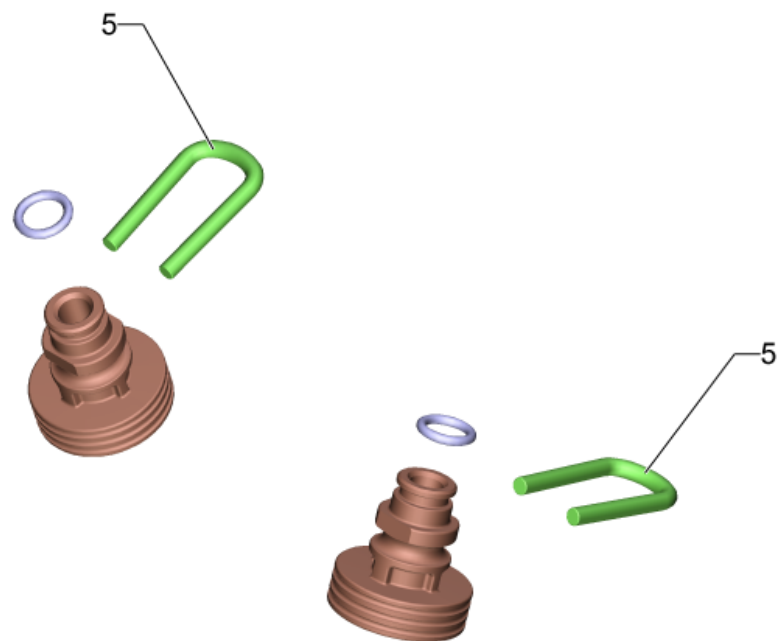
47 Surface cleaner




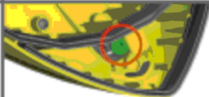




POS	Article no.	Description	Quantity	Unit
6	2.883-963.0	Bearing neck complete	1.000	ST
4	5.394-865.0	Grate T 250 Plus	1.000	ST
10	7.343-206.0	Lock washer 12-2.1030 DIN 6799	1.000	ST
9	5.310-160.0	Nut Kaercher	3.000	ST
5	2.640-729.0	O-Ring seal set	3.000	ST
2	5.332-464.0	Pressure spring	2.000	ST
1	2.643-240.0	Single-step jet pipe extension	2.000	ST
8	2.885-182.0	Spare part set rotor T 250 plus	1.000	ST
7	2.643-338.0	Spare parts nozzles T-Racer	1.000	ST
3	6.371-086.0	Strip brush	1.000	ST









1 Single-step jet pipe extension (2.643-240.0)

POS	Article no.	Description	Quantity	Unit
10	5.310-160.0	Nut Kaercher	1.000	ST
3	2.640-729.0	O-Ring seal set	1.000	ST
8	5.332-464.0	Pressure spring	1.000	ST



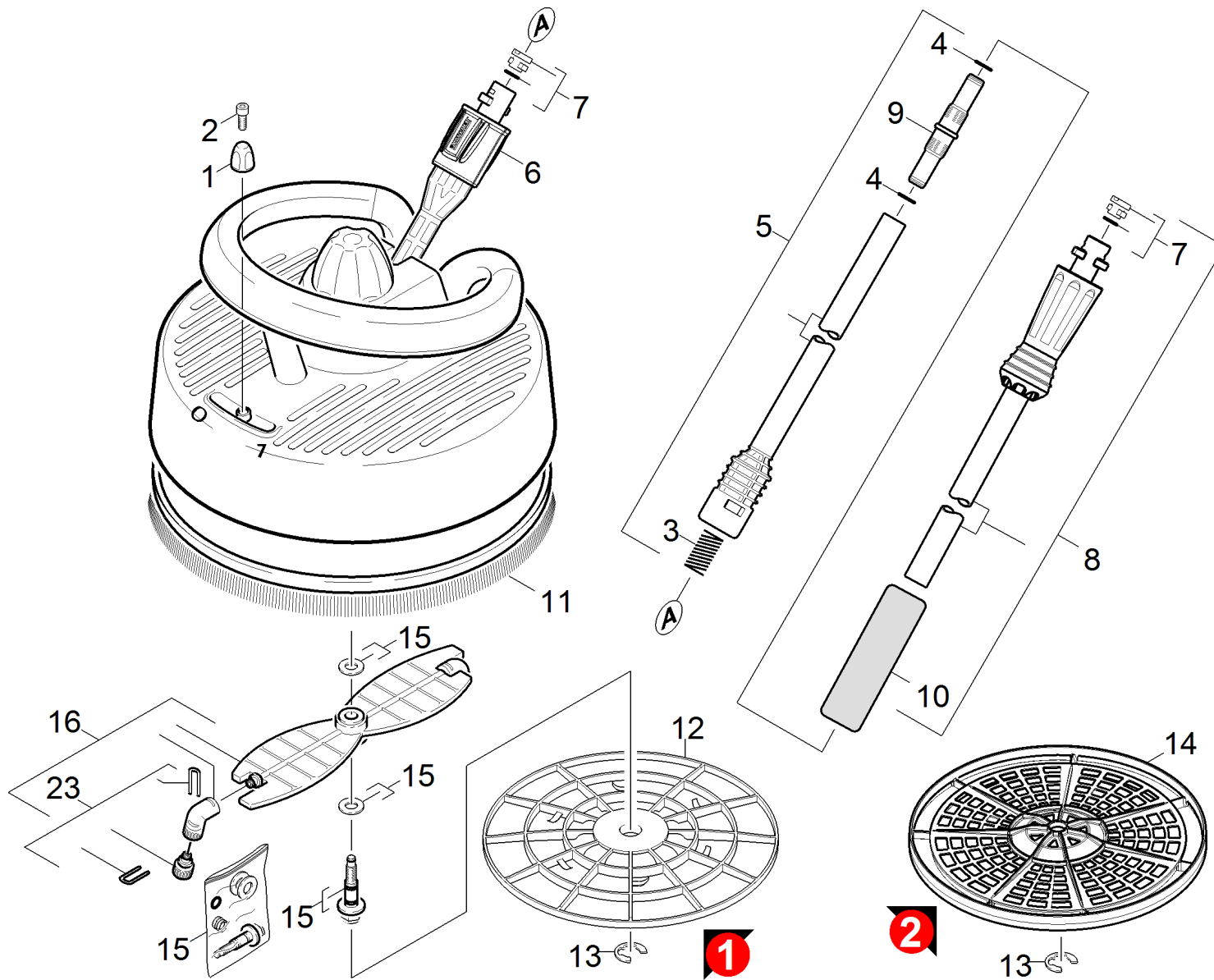
T 50, T 70, T 80, T 100 T 150, T 200, T 250, T 300, T 400, T 450, T 550	K 2 - K 5		
	K 6 - K 7		
T 400, T 450 T 550			
T 200, T 250	K 6 - K 7		
T 350 Gas			

	K 3 - K 5	
	K 6 - K 7	

	K 2	
	K 3 - K 5	

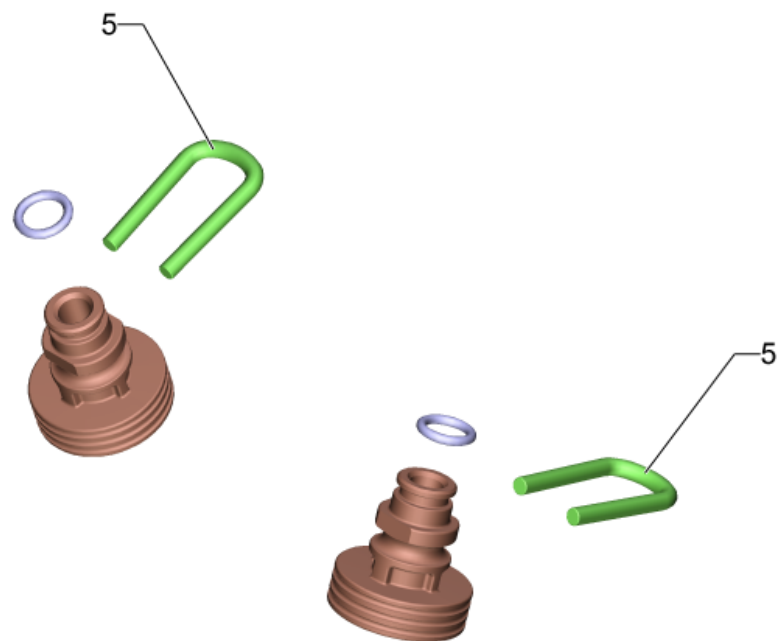
7 Spare parts nozzles T-Racer (2.643-338.0)




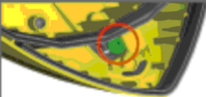




POS	Article no.	Description	Quantity	Unit	Remark	Foot note text
5	5.037-151.0	Clamp	2.000	ST		
1	4.764-155.0	Nozzle complete 15015	1.000	ST	<13 MPa (<130 bar)	GREY
		Item text1: 015				
2	4.764-156.0	Nozzle complete 15020	1.000	ST	13 MPa (130 bar) - 16 MPa (160 bar)	YELLOW
		Item text1: 020				
3		Nozzle complete 15027	1.000	ST		BLACK
		Item text1: 027				
4	4.764-190.0	Nozzle kpl. 75047	1.000	ST		GREEN
		Item text1: 047				









48 Surface cleaner

POS	Article no.	Description	Quantity	Unit
15	2.883-963.0	Bearing neck complete	1.000	ST
9	5.471-105.0	Coupling element jet pipe extension	1.000	ST
14	5.394-872.0	Grate T 300 Plus	1.000	ST
10	6.321-160.0	Handhold foamed material	1.000	ST
5	4.760-495.0	Jet pipe	1.000	ST
8	4.760-688.0	Jet pipe PS	1.000	ST
13	7.343-206.0	Lock washer 12-2.1030 DIN 6799	1.000	ST
6	5.310-160.0	Nut Kaercher	1.000	ST
4	6.363-615.0	O-Ring seal 11 x 1,5 -NBR70	1.000	ST
7	2.640-729.0	O-Ring seal set	2.000	ST
3	5.332-464.0	Pressure spring	1.000	ST
12	5.394-661.0	Protection part	1.000	ST
2	6.303-557.0	Screw 3x12 Kombitorx T8	1.000	ST
16	2.883-973.0	Spare part set rotor	1.000	ST
23	2.643-338.0	Spare parts nozzles T-Racer	1.000	ST
1	7.777-999.0	Stockpiling discontinued	1.000	ST
11	6.369-738.0	Strip brush	1.000	ST



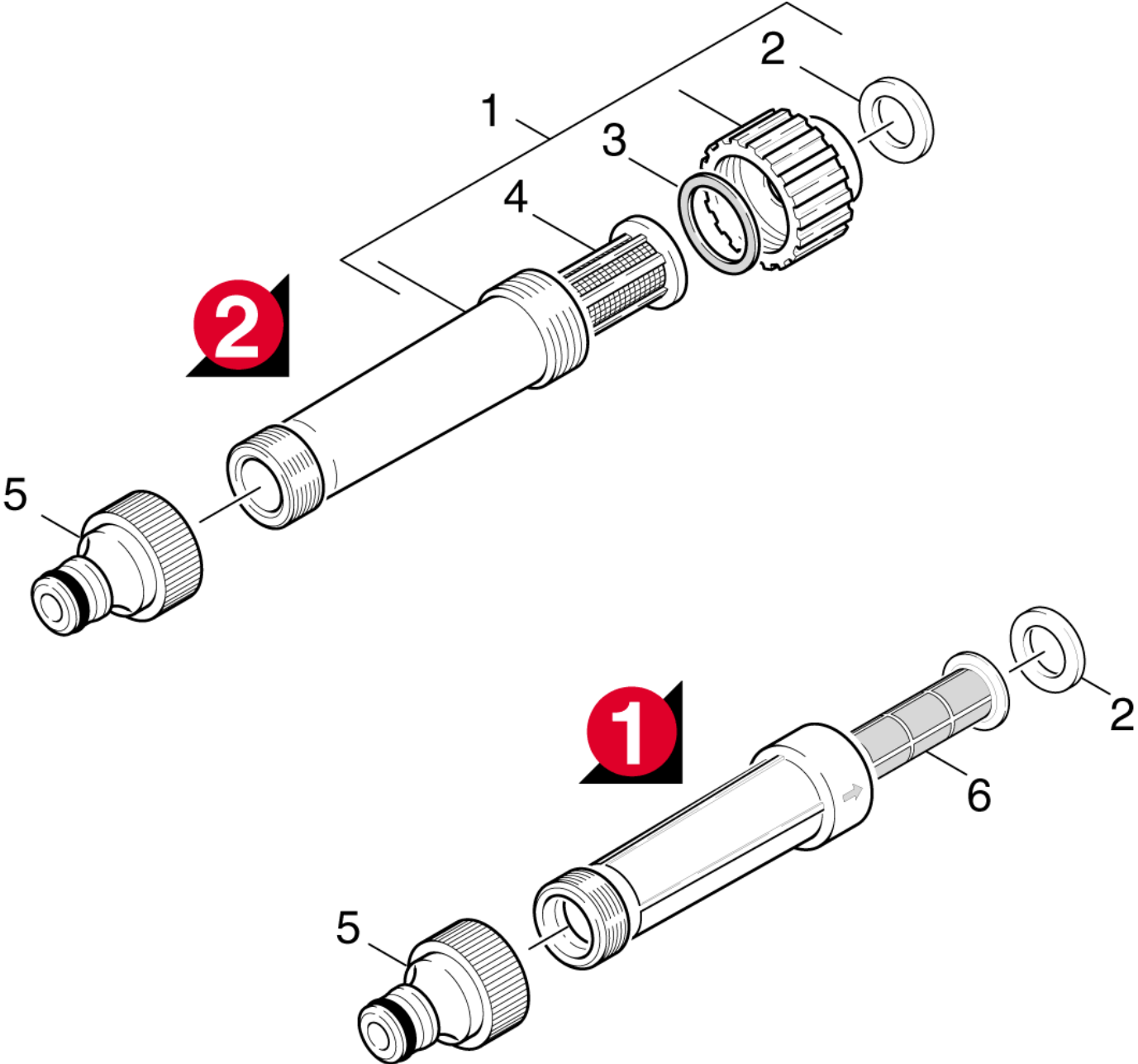
T 50, T 70, T 80, T 100 T 150, T 200, T 250, T 300, T 400, T 450, T 550	K 2 - K 5		
	K 6 - K 7		
T 400, T 450 T 550			
T 200, T 250	K 6 - K 7		
T 350 Gas			

	K 3 - K 5	
	K 6 - K 7	

	K 2	
	K 3 - K 5	

23 Spare parts nozzles T-Racer (2.643-338.0)

POS	Article no.	Description	Quantity	Unit	Remark	Foot note text
5	5.037-151.0	Clamp	2.000	ST		
1	4.764-155.0	Nozzle complete 15015	1.000	ST	<13 MPa (<130 bar)	GREY
		Item text1: 015				
2	4.764-156.0	Nozzle complete 15020	1.000	ST	13 MPa (130 bar) - 16 MPa (160 bar)	YELLOW
		Item text1: 020				
3		Nozzle complete 15027	1.000	ST		BLACK
		Item text1: 027				
4	4.764-190.0	Nozzle kpl. 75047	1.000	ST		GREEN
		Item text1: 047				

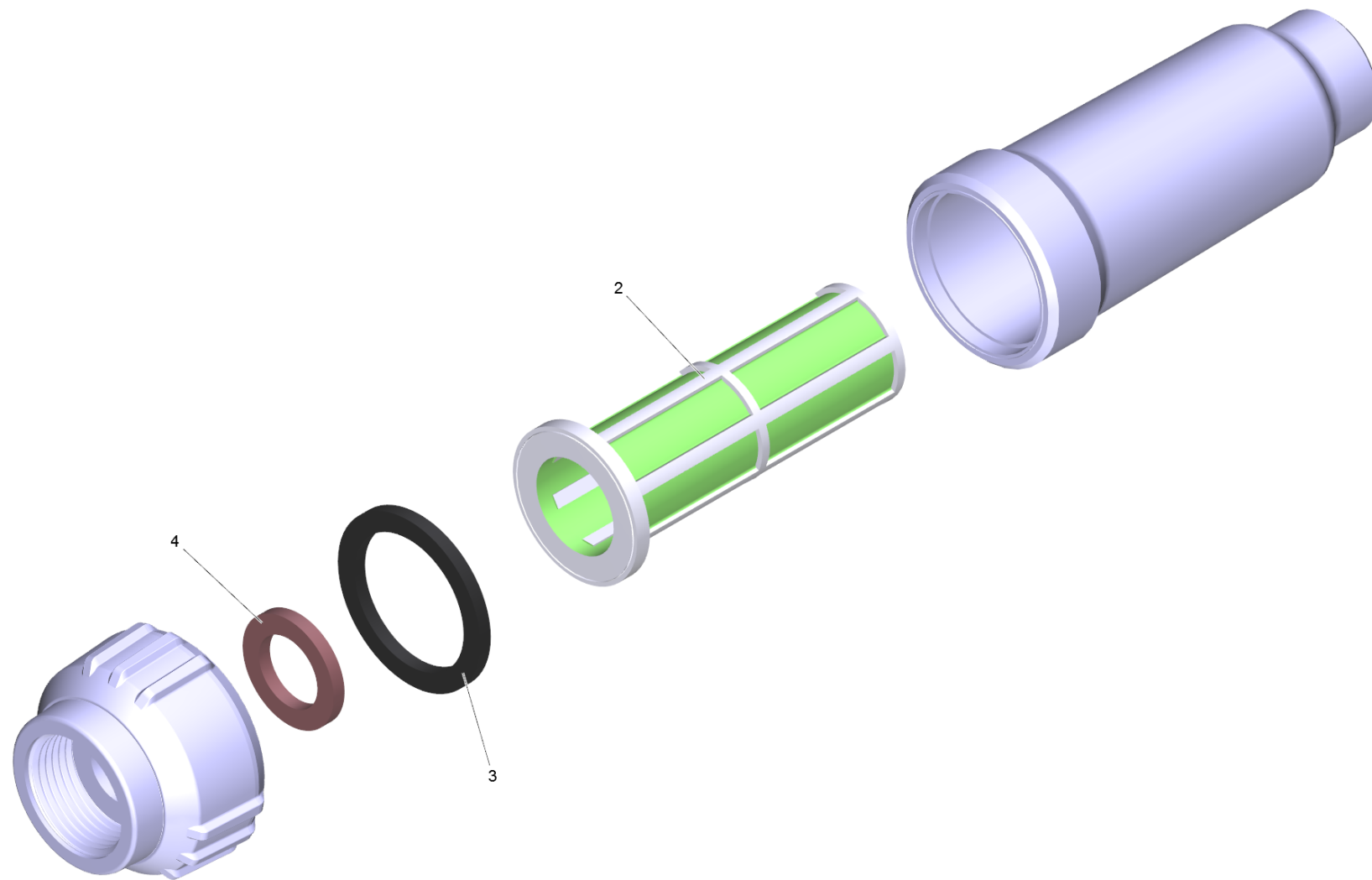


49 Water filter

POS	Article no.	Description	Quantity	Unit
5	6.465-031.0	Connection 3/4	1.000	ST
3	5.363-336.0	Seal	1.000	ST
2	5.363-545.0	Seal	1.000	ST
6	7.777-999.0	Stockpiling discontinued	1.000	ST
4	5.731-050.0	Water filter	1.000	ST
1	4.730-059.0	Water filter	1.000	ST

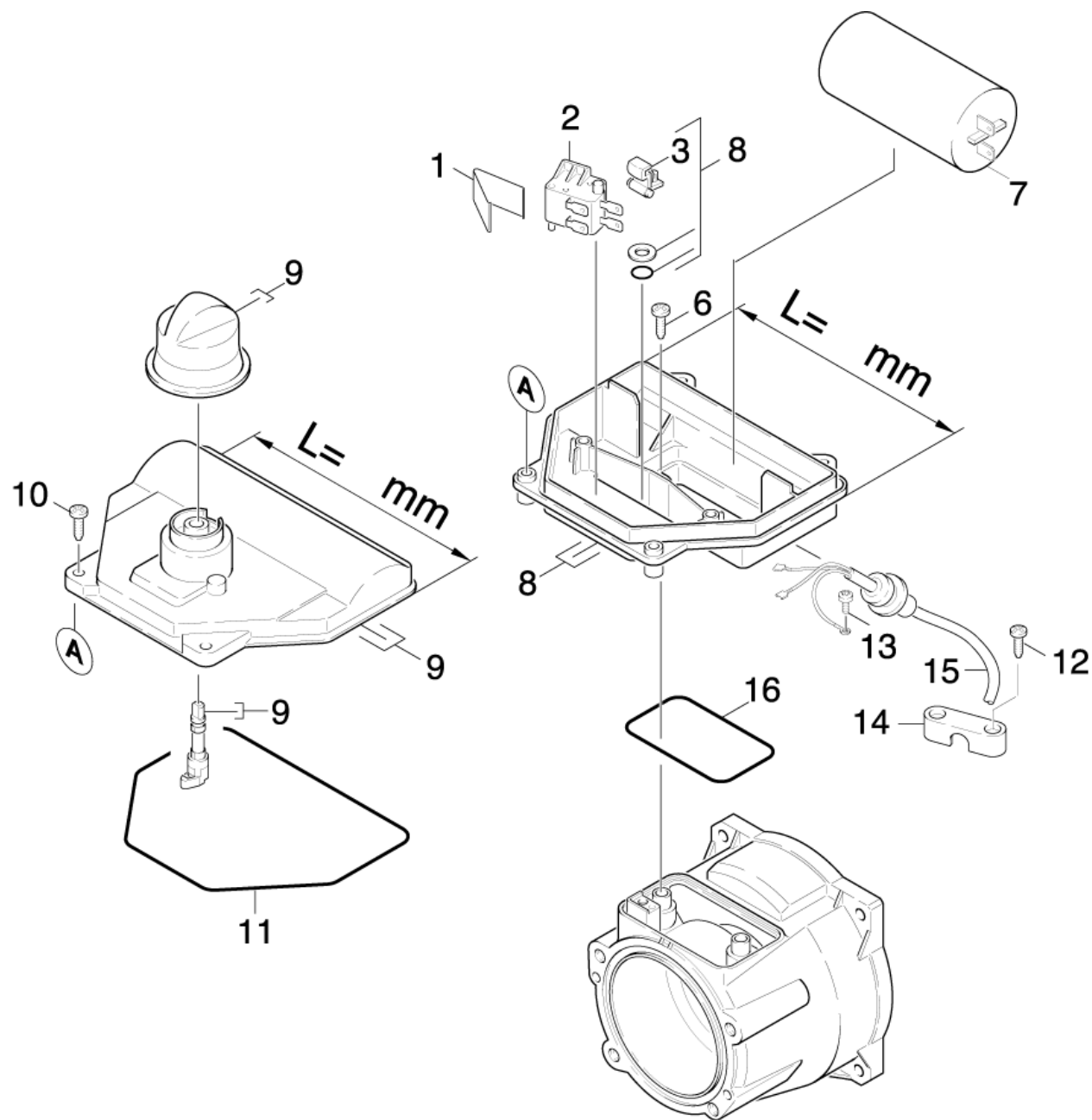
1 Water filter (4.730-059.0)

POS	Description	Quantity	Unit
1	Water filter complete	1.000	ST



1 Water filter complete

POS	Article no.	Description	Quantity	Unit
4	5.363-545.0	Seal	1.000	ST
3	5.363-336.0	Seal	1.000	ST
2	5.731-050.0	Water filter	1.000	ST

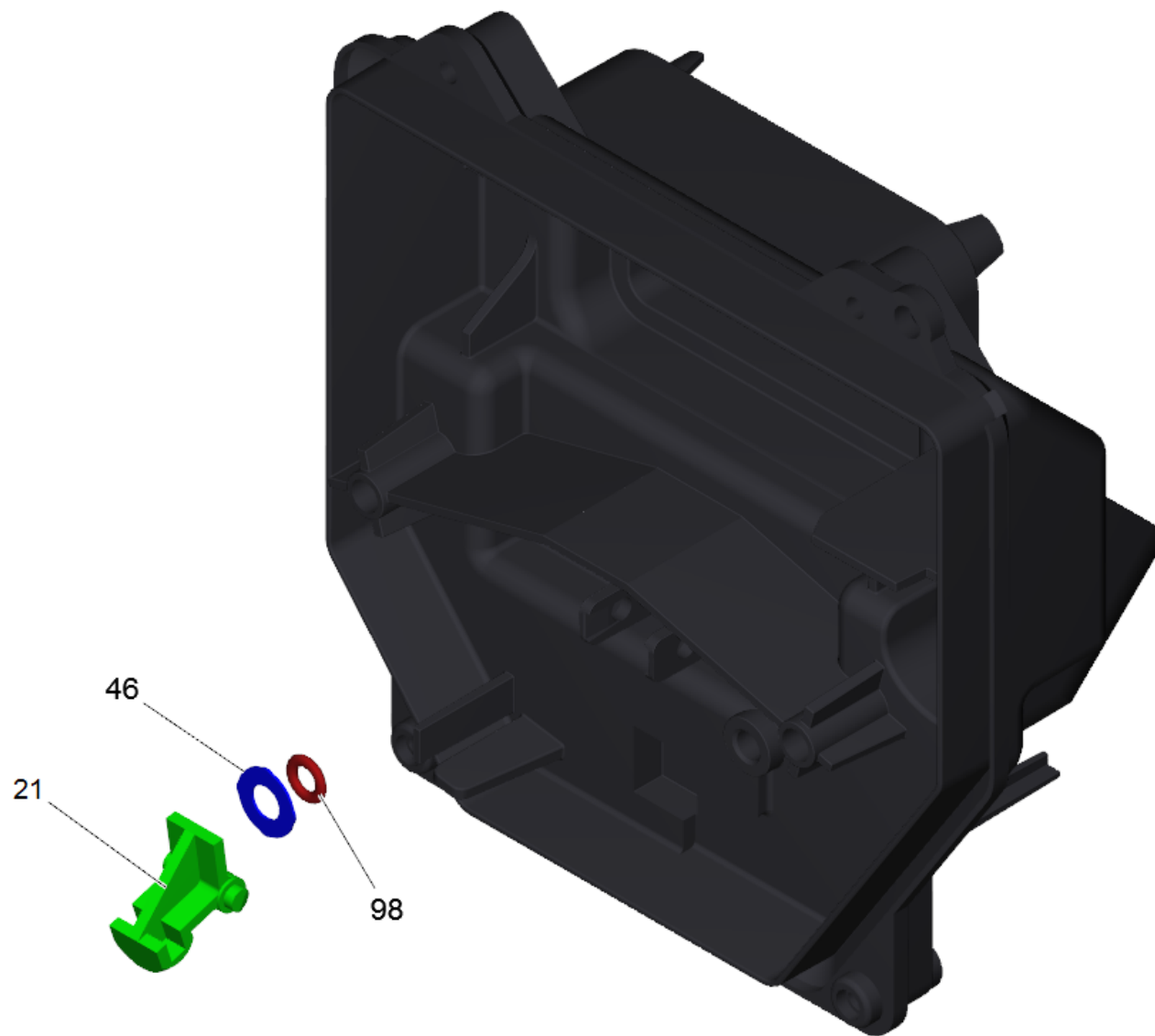


50 Electric control box

POS	Article no.	Description	Quantity	Unit	Remark	Foot note text
15	6.647-739.0	Cable with plug	1.000	ST		
	Item text1: / 1.069-320.0 / -800.0					
15	6.648-971.0	Cable with plug *Aus	1.000	ST		
	Item text1: / 1.069-600.0 / -601.0					
15	6.649-903.0	Cable with plug *CH	1.000	ST		
	Item text1: / 1.069-290.0 / -810.0 / -895.0 / -953.0					
15	6.647-404.0	Cable with plug *GB	1.000	ST		
	Item text1: / 1.069-280.0 / -926.0 / -931.0					
	Item text2: / -934.0					
15	6.648-361.0	Cable with plug *RA H05RN-F 3G1/5,6M	1.000	ST		
	Item text1: / 1.069-780.0					
15	6.648-968.0	Cable with plug H05 VV-F 3G1/5,6m *EU	1.000	ST		
	Item text1: / 1.069-120.0/ -121.0/ -894.0/-919.0 /-923.0/-941.0/-942.0/-952.0/-954.0/-956.0/0/					
7	6.661-129.0	Capacitor 25MF	1.000	ST		
9	4.063-785.0	Cover electric box	1.000	ST	L=138MM	VERSION 2
9	4.063-591.0	Cover electric box	1.000	ST	L=158MM	VERSION 1
8	4.800-852.0	Electric box complete	1.000	ST	L=138MM	VERSION 2
8	4.800-845.0	Electric box complete only for replaceme	1.000	ST	L=158MM	VERSION 1
2	6.631-946.0	Micro switch	1.000	ST		
16	6.362-887.0	O-Ring seal 65,0 X 2,5	1.000	ST		
12	6.303-199.0	Oval head screw 4,2x 16	2.000	ST		
1	5.337-027.0	Plate spring	1.000	ST		
14	5.034-505.0	Retaining bracket cable	1.000	ST		
3	4.047-003.0	Rocker switch complete	1.000	ST		
10	6.303-125.0	Screw 5x20-Sonder In6Rd+Spitze	4.000	ST		
13	7.303-031.0	Screw M4x10 -St-P2R (In6Rd)	1.000	ST		
6	7.303-048.0	Screw M6x20 -St-R3R (In6Rd)	2.000	ST		
11	6.273-070.0	Seal string cellular rubber 4	1.000	M		TO ORDER AS CUT GOODS
	Item text1: / 1.069-320.0					
15	7.777-999.0	Stockpiling discontinued	1.000	ST		
	Item text1: / 1.069-924.0					

50 Electric control box

POS	Article no.	Description	Quantity	Unit	Remark	Foot note text
15	7.777-999.0	Stockpiling discontinued	1.000	ST		
	Item text1: / 1.069-350.0					



8 Electric box complete (4.800-852.0)

POS	Article no.	Description	Quantity	Unit
98	6.506-019.0	O-Ring seal 3,68X 1,78	1.000	ST
21	4.047-003.0	Rocker switch complete	1.000	ST
46	5.115-610.0	Washer	1.000	ST