

Spare parts list

(1.810-975.0) HD 1050 B Cage

Table of contents

HD 1050 B Cage (1.810-975.0)	3
Spare parts list HD 1050 B *GB (5.972-464.0)	4
10 Frame	5
11 Cover	6
12 Frame	8
20 Pump set	10
21 Cylinder head	11
17 Valve (3 Stueck) (2.884-512.0)	13
25 Valve complete (4.580-323.0)	15
22 Excess-current	17
38 Speed control (4.741-021.3)	20
1 Speed control (4.741-021.0)	21
23 Piston	23
24 Pump set	25
30 Motor	27
31 Motor	28
Gasoline engine 13PS (6.491-975.0)	30
32 Transmission	32
20 Wobble plate complete (4.120-198.0)	34
40 Accessories	36
41 Hand trigger gun	37
1 HAND TRIGGER GUN EASY PRESS (4.775-463.0)	39
9002 Lever complete (4.481-209.0)	41
4 Lever complete (4.481-209.0)	43
42 Rotary controller	45
1 Rotary controller 416L (4.775-470.0)	47
43 High pressure hose	49
1 Hose assembly DN8 max.31,5MPa 15m (6.390-185.0)	51
44 Jet pipe	53
1 Jet pipe packaged only for replacement (4.760-660.0)	55
14 Screw connector part (5.401-210.0)	57
8 Screw connector part (5.401-210.0)	58
45 Nozzle	59
Triple jet nozzle with packing 05 (4.767-065.0)	61
2 Spare parts list triple jet nozzle (5.970-000.0)	62
10 Triple jet nozzle	63
17 Nozzle holder 055 (4.764-159.0)	65

HD 1050 B Cage (1.810-975.0)

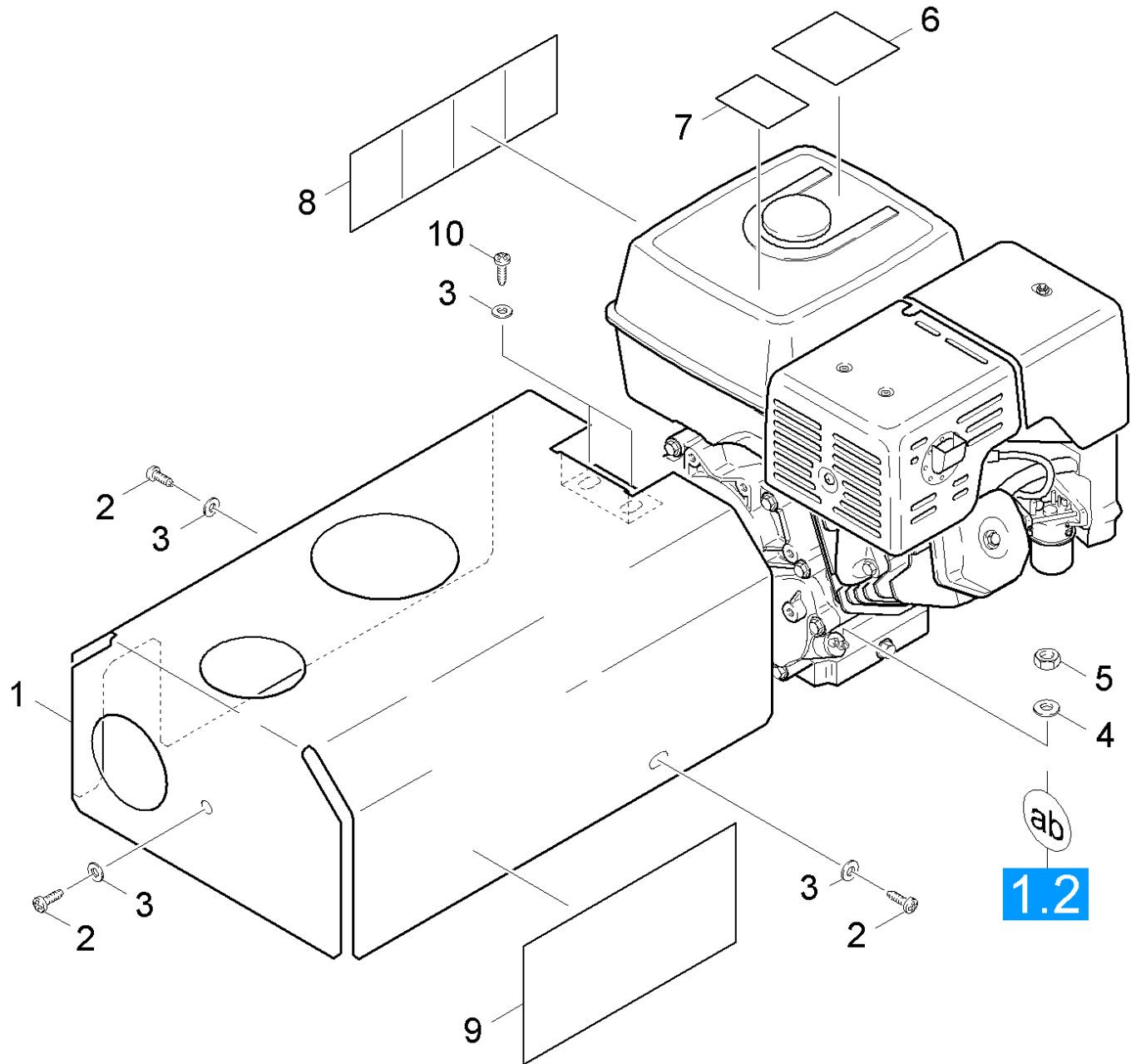
POS	Article no.	Description	Quantity	Unit
0	5.972-464.0	Spare parts list HD 1050 B *GB	1.000	ST
	Item text2: 18109920			

Spare parts list HD 1050 B *GB (5.972-464.0)

POS	Description	Quantity	Unit
10	Frame	1.000	ST
20	Pump set	1.000	ST
30	Motor	1.000	ST
40	Accessories	1.000	ST

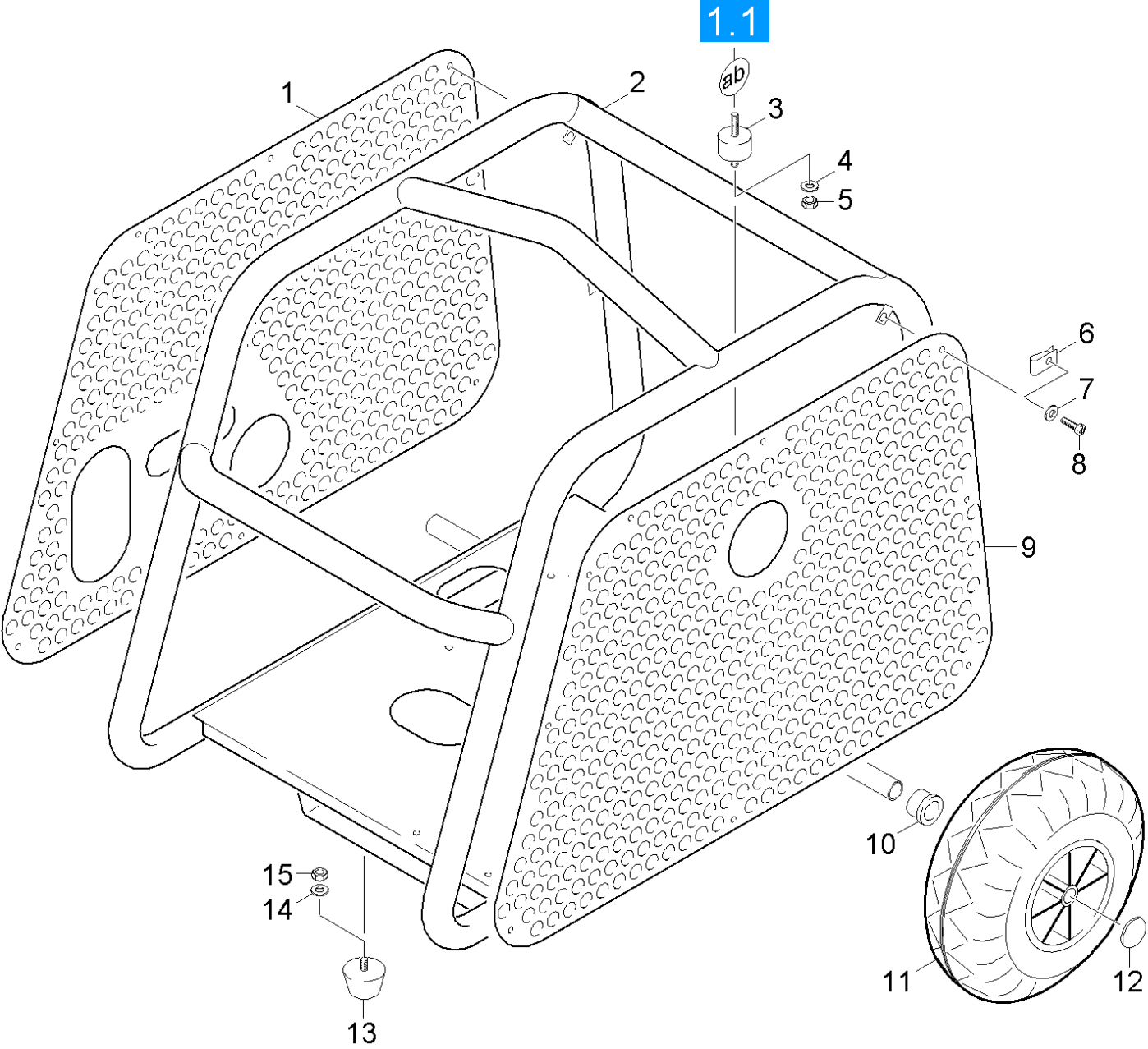
10 Frame

POS	Description	Quantity	Unit
11	Cover	1.000	ST
12	Frame	1.000	ST



11 Cover

POS	Article no.	Description	Quantity	Unit
1	5.068-227.0	Cover grey 1050 B	1.000	ST
2	7.303-046.0	Screw M6x12 -St-R3R (In6Rd)	3.000	ST
3	7.312-003.0	Washer 6 -200HV-A3E ISO 7090	5.000	ST
4	7.312-005.0	Washer 10-200HV-A3E ISO 7090	4.000	ST
5	7.311-423.0	Hexagon nut M10 -04-A2E DIN 985	4.000	ST
6	5.388-249.0	Label	1.000	ST
7	5.388-250.0	Warning sign hot exhaust	1.000	ST
8	5.388-294.0	Label	1.000	ST
9	5.390-426.0	Label "4 IN 1"	1.000	ST
10	7.303-156.0	Screw M6x40 -St-P3R (In6Rd)	2.000	ST

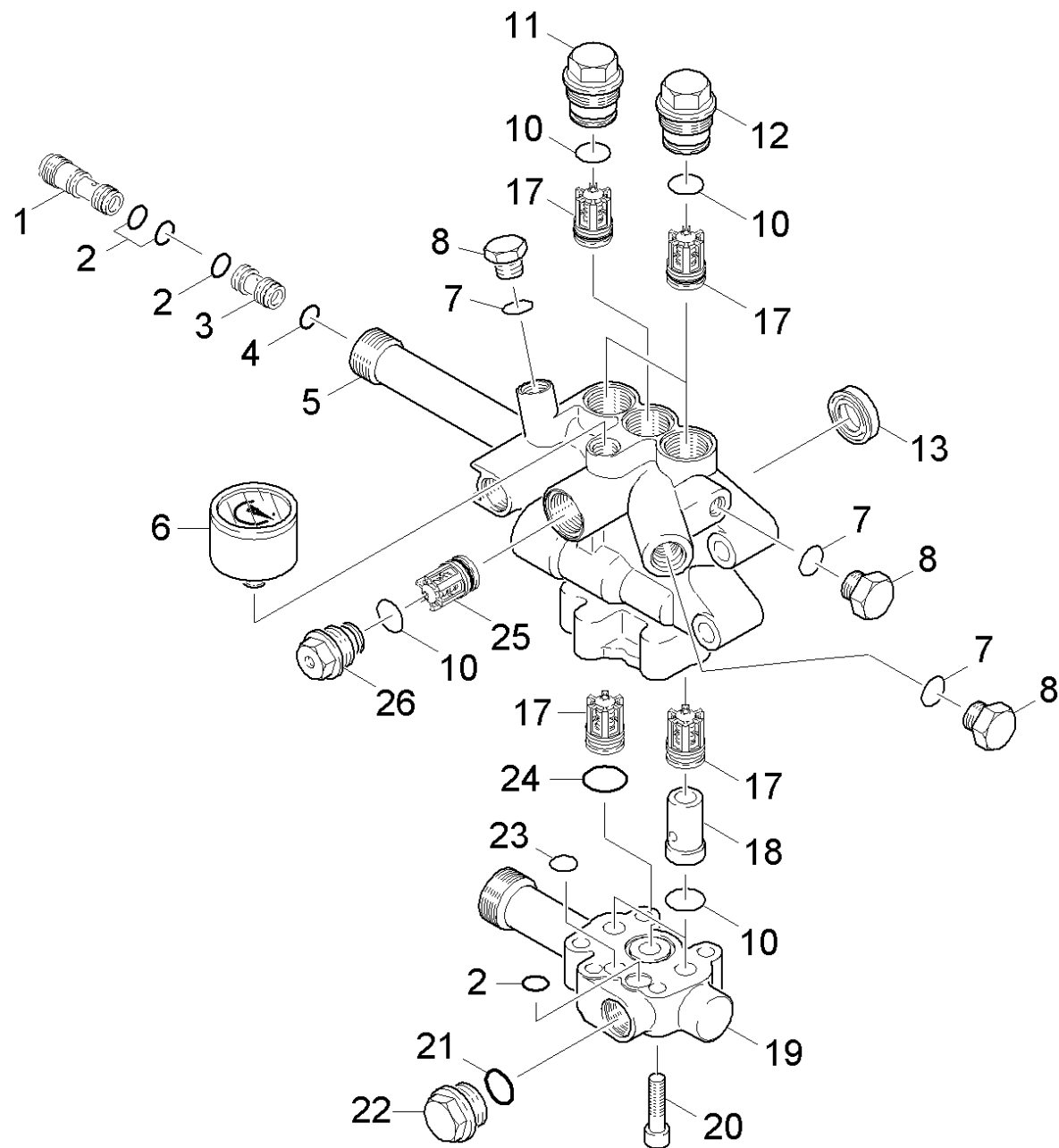


12 Frame

POS	Article no.	Description	Quantity	Unit
1	6.397-553.0	Side plate left HD 1040/1050 B	1.000	ST
2	4.397-001.0	Frame	1.000	ST
3	6.339-075.0	Rubber buffer D50X30	4.000	ST
4	7.312-005.0	Washer 10-200HV-A3E ISO 7090	4.000	ST
5	7.311-423.0	Hexagon nut M10 -04-A2E DIN 985	4.000	ST
6	6.310-082.0	Putting nut M6	18.000	ST
7	7.312-003.0	Washer 6 -200HV-A3E ISO 7090	18.000	ST
8	7.306-090.0	Screw M6x16 -8.8-R3R (In6Rd)	18.000	ST
9	6.397-554.0	Side plate right HD 1040/1050 B	1.000	ST
10	5.110-378.0	Sleeve	2.000	ST
11	6.435-008.0	Wheel	2.000	ST
12	6.343-137.0	Quick-fastener	2.000	ST
13	6.339-100.0	Rubber buffer	2.000	ST
14	7.312-004.0	Washer 8 -200HV-A3E ISO 7090	2.000	ST
15	7.311-510.0	Hexagon nut M 8-8-A2E ISO 7040	2.000	ST

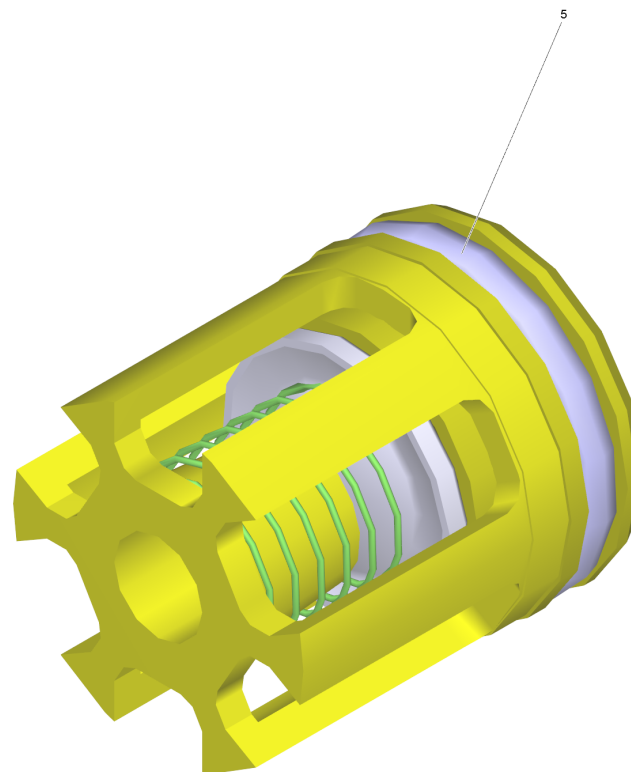
20 Pump set

POS	Description	Quantity	Unit
21	Cylinder head	1.000	ST
22	Excess-current	1.000	ST
23	Piston	1.000	ST
24	Pump set	1.000	ST



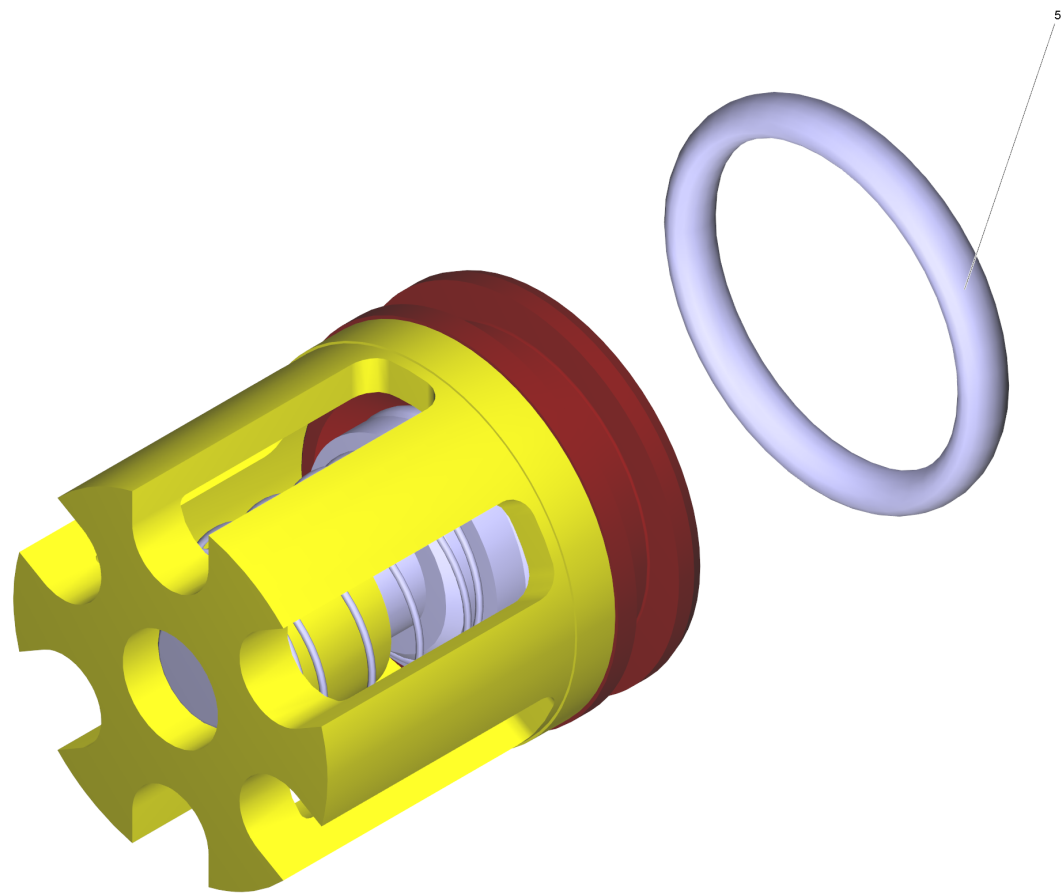
21 Cylinder head

POS	Article no.	Description	Quantity	Unit
1	5.769-141.0	Nozzle insert	1.000	ST
2	6.362-384.0	O-Ring seal 9x1,5 - NBR 70	4.000	ST
3	5.769-143.0	Nozzle insert	1.000	ST
4	6.362-388.0	O-Ring seal 8,0x1,5 -EPDM 70	1.000	ST
5	4.551-057.0	Cylinder head only for replacement	1.000	ST
6	6.421-358.0	Pressure gauge 0-30 MPa	1.000	ST
7	6.362-642.0	O-Ring d. 7,65x1,78 -NBR 80	3.000	ST
8	5.411-070.0	Screw plug	2.000	ST
10	6.362-481.0	O-Ring seal 14,0 x 2,0 NBR 80	6.000	ST
11	5.583-160.0	Valve screw	1.000	ST
12	5.583-146.3	Valve screw	2.000	ST
13	6.365-408.0	Grooved ring 16x24x5.3	3.000	ST
17	2.884-512.0	Valve (3 Stueck)	1.000	ST
18	5.110-608.0	Sleeve	2.000	ST
19	5.060-888.0	Valve housing swivel arm Hobbock	1.000	ST
20	7.306-044.0	Cylinder head screw M8x35 -8.8-A2E ISO4	5.000	ST
21	6.362-427.0	O-Ring seal 15,0x2,0	1.000	ST
22	7.382-235.0	Screw plug M18x1,5-A-CuZn DIN 7604	1.000	ST
23	6.363-045.0	O-Ring seal 8X1,25 NBR	1.000	ST
24	6.362-547.0	O-Ring seal 20,0x1,5-NBR 70	1.000	ST
25	4.580-323.0	Valve complete	1.000	ST
26	5.583-155.0	Valve screw	1.000	ST



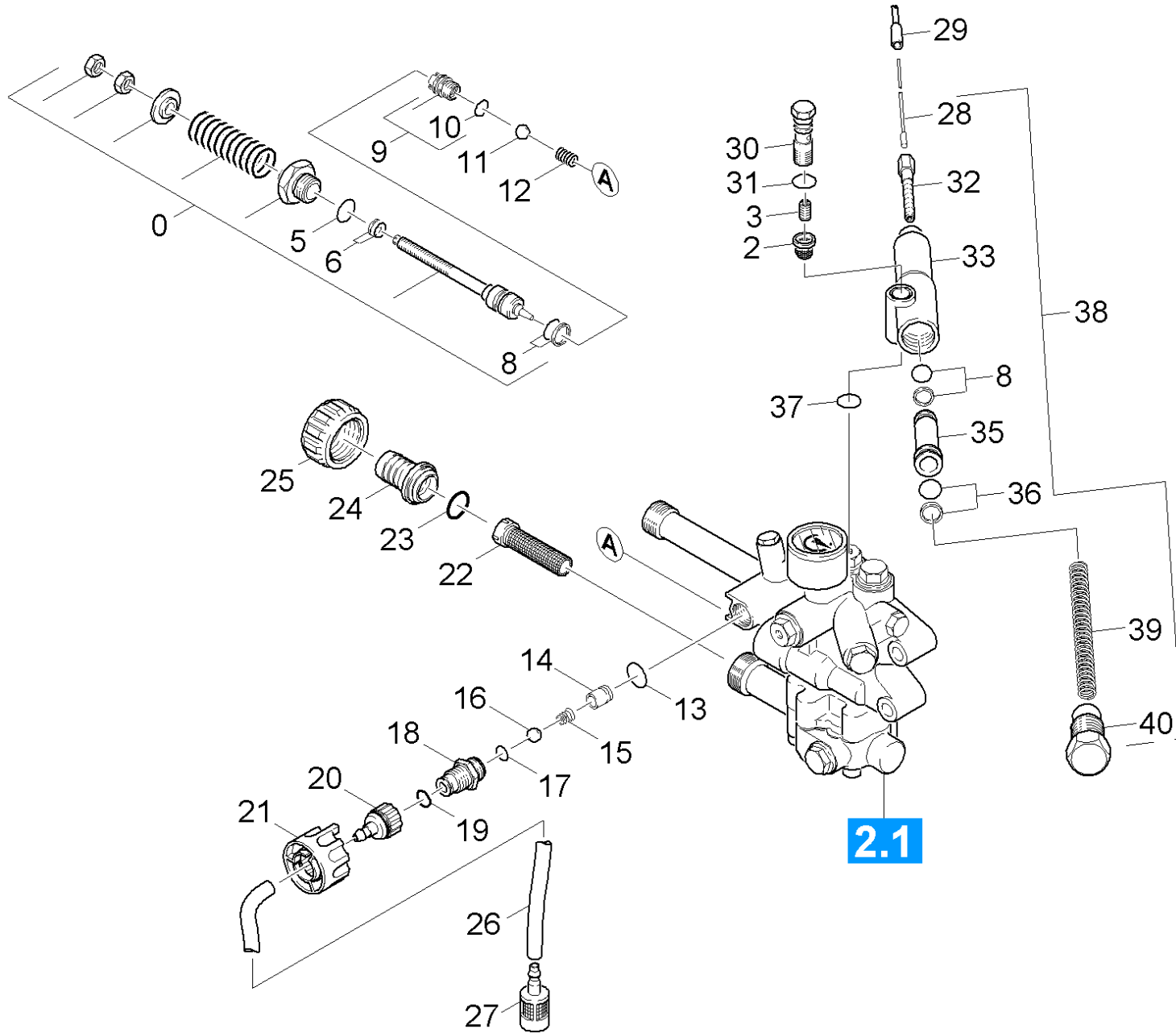
17 Valve (3 Stueck) (2.884-512.0)

POS	Article no.	Description	Quantity	Unit
5	6.363-003.0	O-Ring seal 13,0 X 2,0-NBR 90	1.000	ST



25 Valve complete (4.580-323.0)

POS	Article no.	Description	Quantity	Unit
5	6.362-381.0	O-Ring seal 13x2 - NBR 70	1.000	ST



22 Excess-current

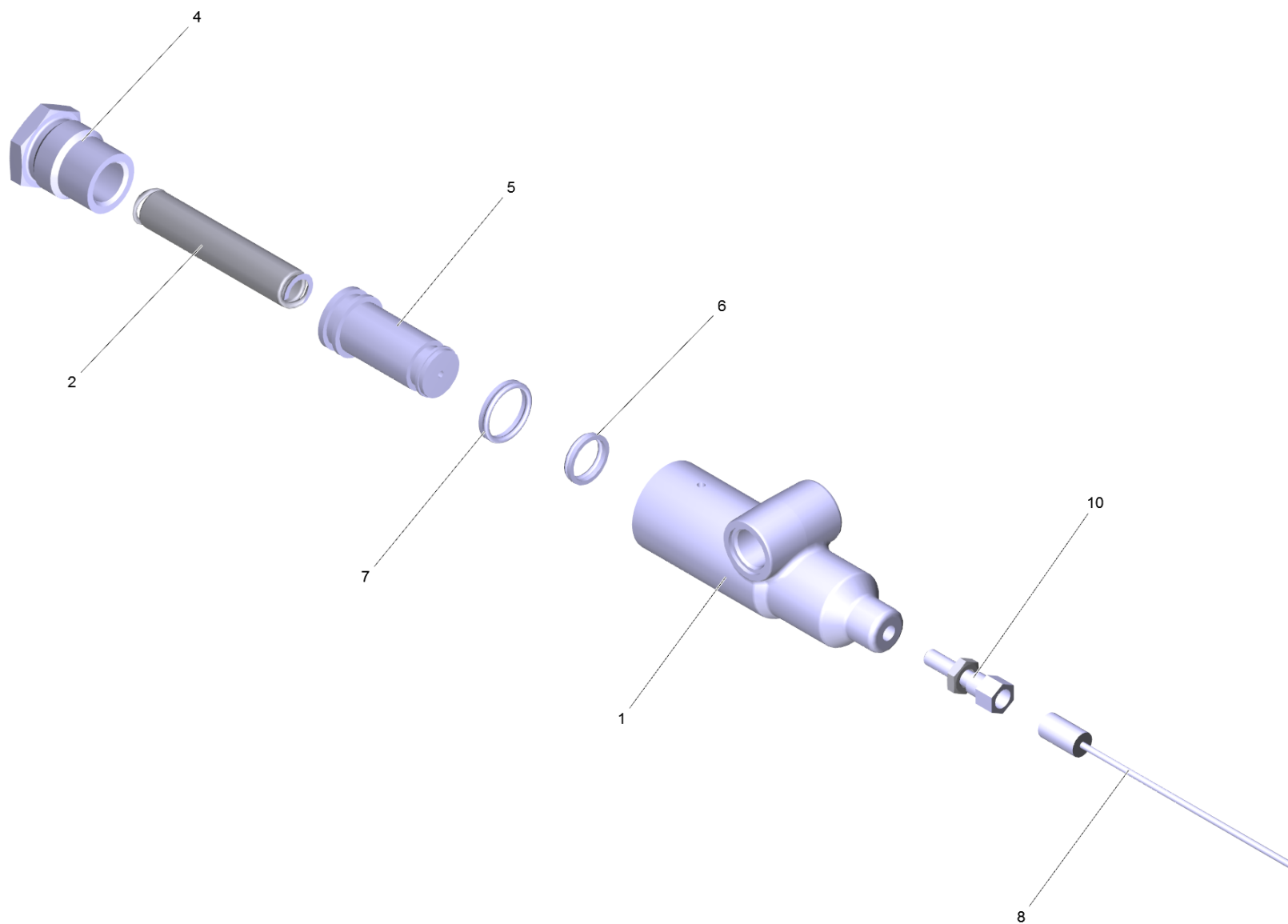
POS	Article no.	Description	Quantity	Unit
0	4.591-035.3	Overflow valve	1.000	ST
2	6.414-142.0	Strainer	1.000	ST
3	5.305-283.0	Screw	1.000	ST
5	6.362-445.0	O-Ring seal 16,0 X 2,4-NBR 80	1.000	ST
6	6.362-365.0	O-Ring seal complete 1ST.-R.- 7,65X 1,7	1.000	ST
8	6.362-575.0	O-Ring seal 12,42 KOMPL	2.000	ST
9	4.581-019.0	Valve seat	1.000	ST
10	6.362-858.0	O-Ring seal 11,0 X 1,5	1.000	ST
11	7.401-907.0	Sphere 3/8 G200-1.4301 DIN 5401	1.000	ST
12	5.332-999.0	Helical spring	1.000	ST
13	6.362-533.0	O-Ring seal 14,0 X 1,5-NBR 70	1.000	ST
14	5.028-692.0	Tube	1.000	ST
15	5.332-124.0	Helical spring	1.000	ST
16	7.401-908.0	Sphere 7 G300 -1.4301 DIN 5401	1.000	ST
17	6.362-383.0	O-Ring seal 6,0 X 2,0	1.000	ST
18	5.402-523.0	Screw union	1.000	ST
19	6.362-151.0	O-Ring d. 10 x 2 NBR 70	1.000	ST
20	5.443-281.0	Hose stem	1.000	ST
21	5.322-156.0	Handhold chemistry	1.000	ST
22	6.414-282.0	Strainer	1.000	ST
23	6.362-078.0	O-Ring seal 13,3x2,4	1.000	ST
24	5.443-291.0	Hose stem	1.000	ST
25	5.311-071.0	Nut	1.000	ST
26	6.388-216.0	Hose DN 5	1.000	M
27	5.731-652.0	Filter with weight	1.000	ST
28	6.431-090.0	Strand 850MM	1.000	ST
29	6.431-055.0	Wire cage 720mm	1.000	ST
30	5.404-063.0	Hollow screw	1.000	ST
31	6.362-384.0	O-Ring seal 9x1,5 - NBR 70	1.000	ST
32	6.431-054.0	Adjusting screw	1.000	ST
33	5.060-335.0	Housing	1.000	ST
35	5.553-222.0	Piston	1.000	ST
36	6.362-611.0	O-Ring seal complete	1.000	ST

22 Excess-current

POS	Article no.	Description	Quantity	Unit
37	6.362-527.0	O-Ring seal 12,0 X 1,5-NBR 70	1.000	ST
38	4.741-021.3	Speed control	1.000	ST
39	5.332-232.0	Helical spring	1.000	ST
40	5.411-139.0	Screw plug	1.000	ST

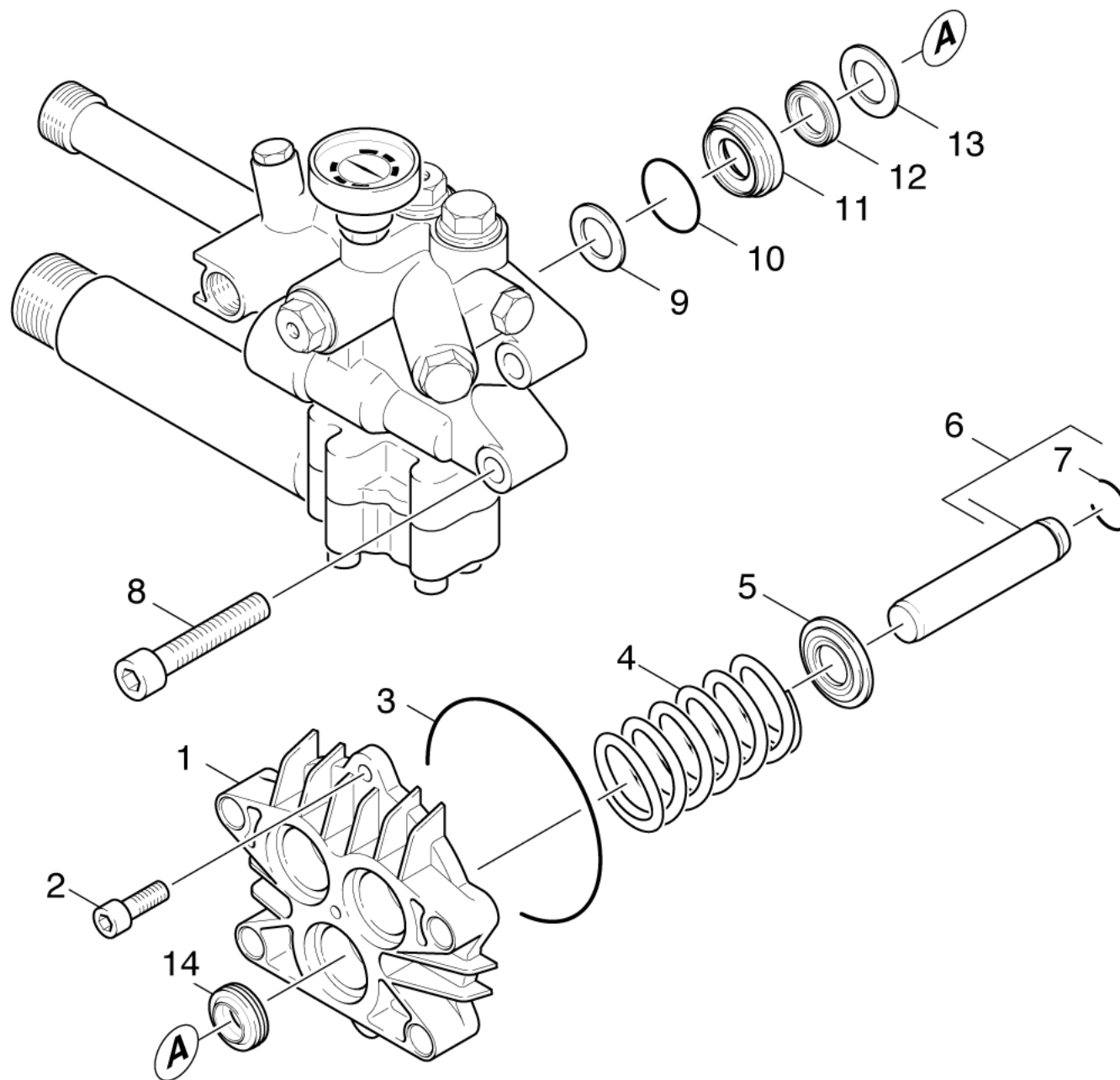
38 Speed control (4.741-021.3)

POS	Article no.	Description	Quantity	Unit
1	4.741-021.0	Speed control	1.000	ST



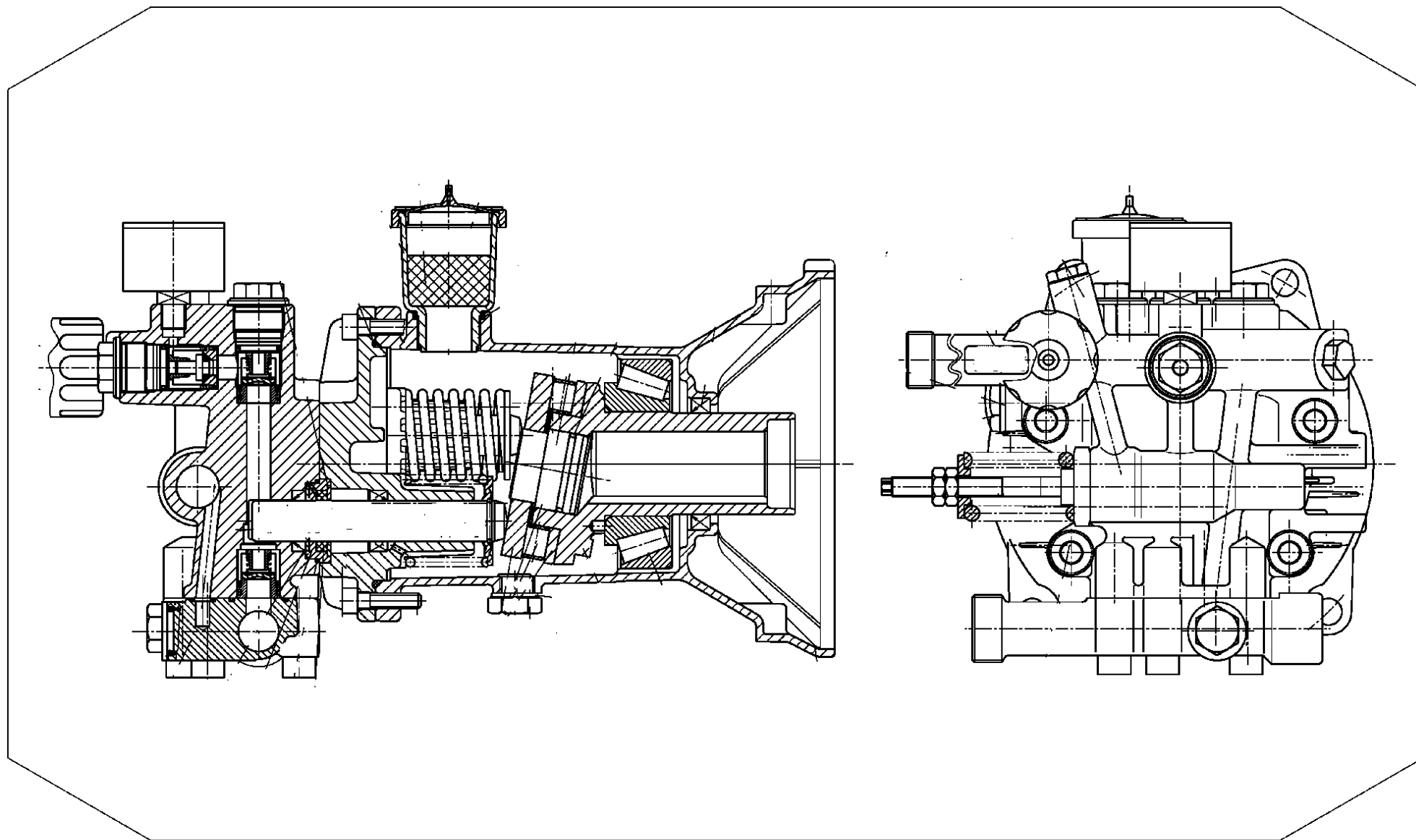
1 Speed control (4.741-021.0)

POS	Article no.	Description	Quantity	Unit
1	5.060-335.0	Housing	1.000	ST
2	5.332-232.0	Helical spring	1.000	ST
4	5.411-139.0	Screw plug	1.000	ST
5	5.553-222.0	Piston	1.000	ST
6	6.362-575.0	O-Ring seal 12,42 KOMPL	1.000	ST
7	6.362-611.0	O-Ring seal complete	1.000	ST
8	6.431-090.0	Strand 850MM	1.000	ST
9	6.288-044.0	Silicon grease 100 G	1.000	ST
10	6.431-054.0	Adjusting screw	1.000	ST



23 Piston

POS	Article no.	Description	Quantity	Unit
1	5.060-676.0	Housing	1.000	ST
2	7.306-023.0	Cylinder head screw M6x25 -8.8-A2E ISO4	2.000	ST
3	6.362-963.0	O-Ring seal 88,57X 2,62	1.000	ST
4	5.332-403.0	Helical spring	3.000	ST
5	5.115-689.0	Washer	3.000	ST
6	4.553-172.0	Piston complete	3.000	ST
7	7.343-478.0	Snap ring 16 -FST DIN 9925	3.000	ST
8	7.306-125.0	Cylinder head screw M10x70-8.8-A3E ISO4	4.000	ST
9	5.115-492.0	Washer	3.000	ST
10	6.362-398.0	O-Ring seal 27,5 X 1,5-NBR 70	3.000	ST
11	5.112-402.3	Bush	3.000	ST
12	6.365-351.0	Compact seal 16 x 24 x 4	3.000	ST
13	5.115-493.0	Washer	3.000	ST
14	6.365-322.0	Grooved ring 16X24X7	3.000	ST



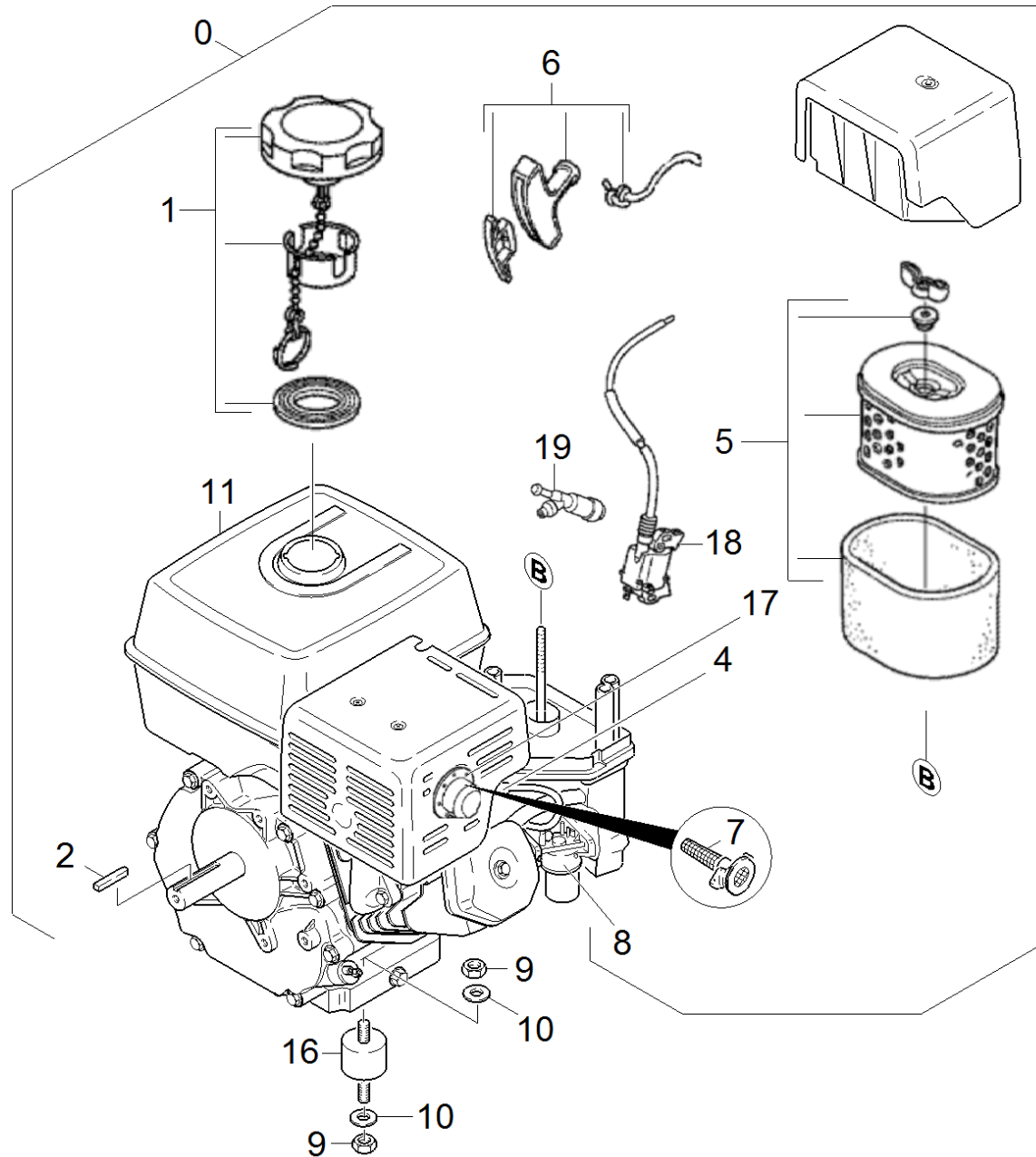
1

24 Pump set

POS	Article no.	Description	Quantity	Unit
1	4.532-975.3	Pump set	1.000	ST

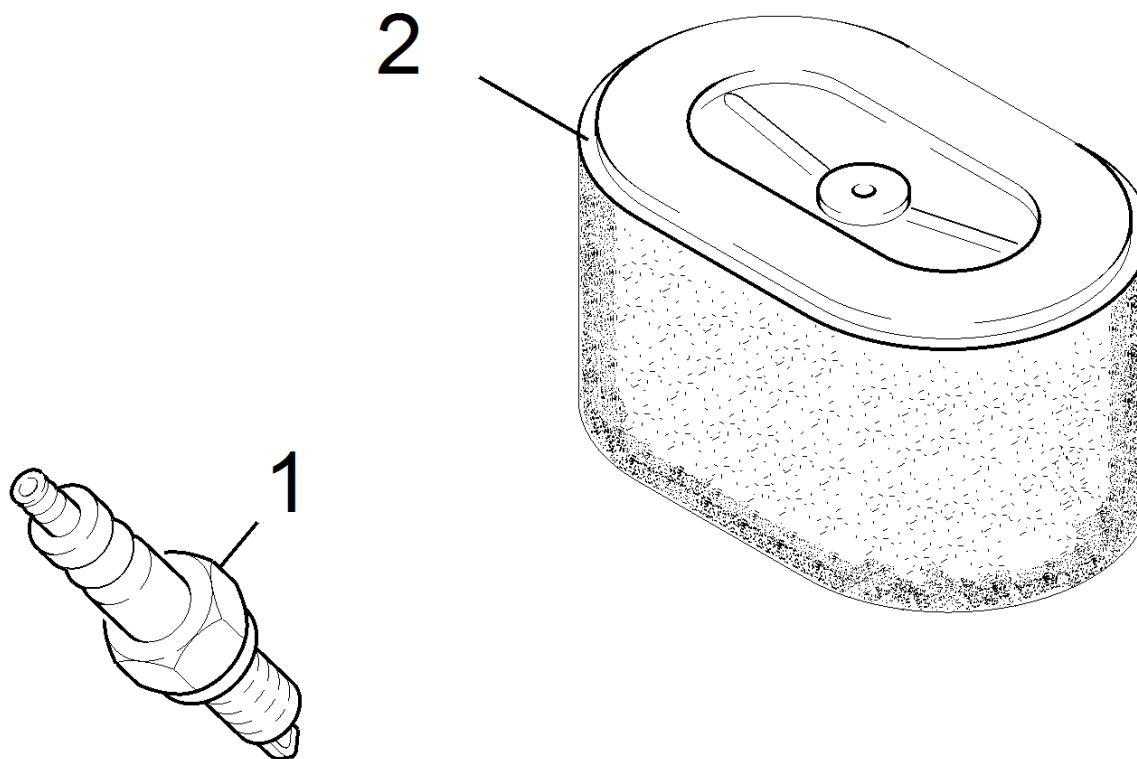
30 Motor

POS	Description	Quantity	Unit
31	Motor	1.000	ST
32	Transmission	1.000	ST



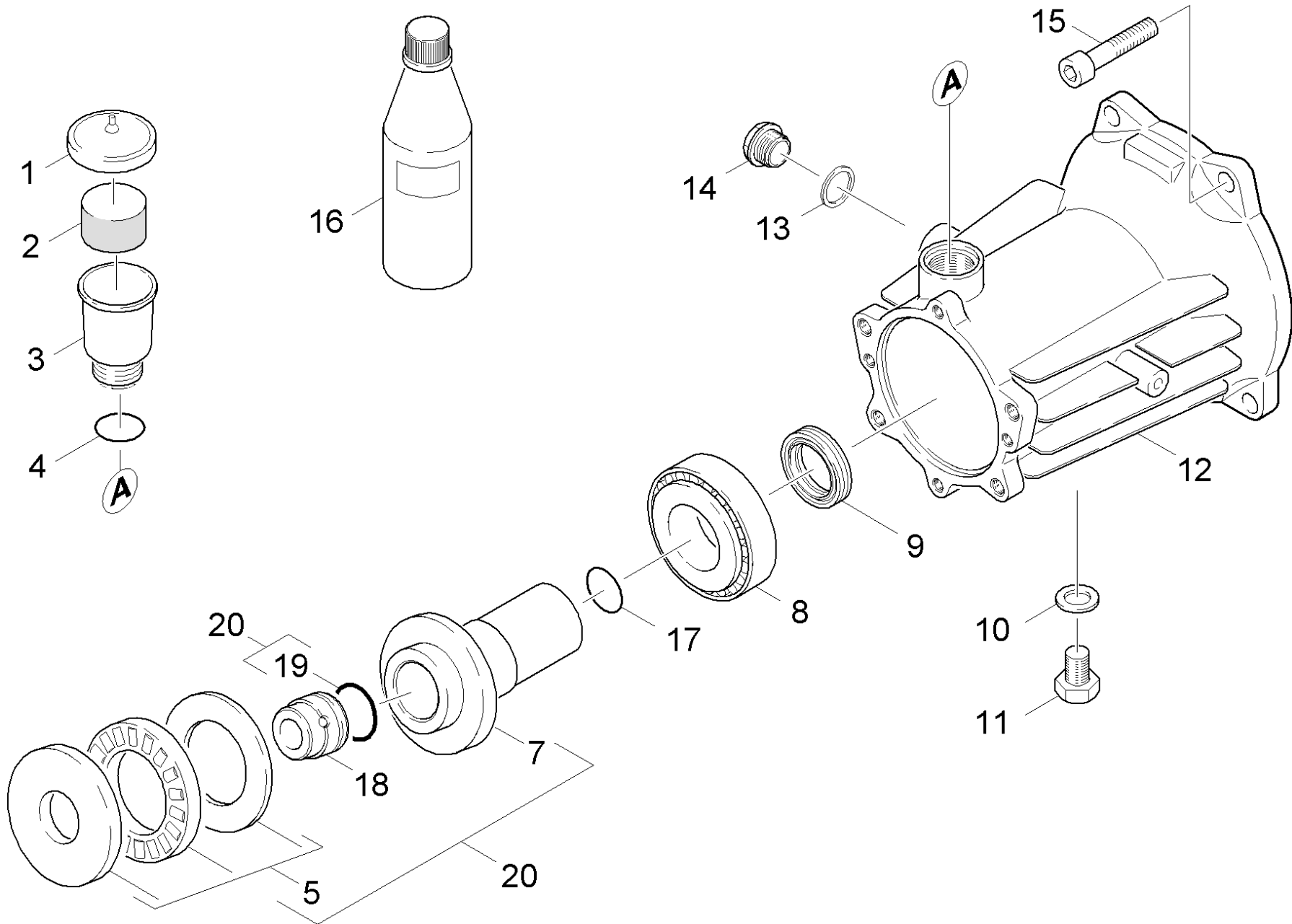
31 Motor

POS	Article no.	Description	Quantity	Unit	Remark
0	6.491-975.0	Gasoline engine 13PS	1.000	ST	
1	6.491-987.0	Cap of a tank	1.000	ST	
2	6.491-564.0	Parallel key	1.000	ST	
4	6.618-090.0	Ignition plug	1.000	ST	
5	6.491-345.0	Air filter insert	1.000	ST	
6	6.491-979.0	Starter rope complete	1.000	ST	
7	6.491-980.0	Spark arrester	1.000	ST	
8	6.492-039.0	Starter	1.000	ST	
9	7.311-423.0	Hexagon nut M10 -04-A2E DIN 985	4.000	ST	
10	7.312-005.0	Washer 10-200HV-A3E ISO 7090	4.000	ST	
11	6.491-981.0	Tank gasoline complete	1.000	ST	
16	6.339-075.0	Rubber buffer D50X30	4.000	ST	
17	6.491-237.0	Deflector	1.000	ST	
18	6.492-041.0	Ignition coil	1.000	ST	
19	9.194-514.0	Spark plug connector	1.000	ST	
20	6.288-050.0	Engine oil 1L	1.000	ST	1,1 L



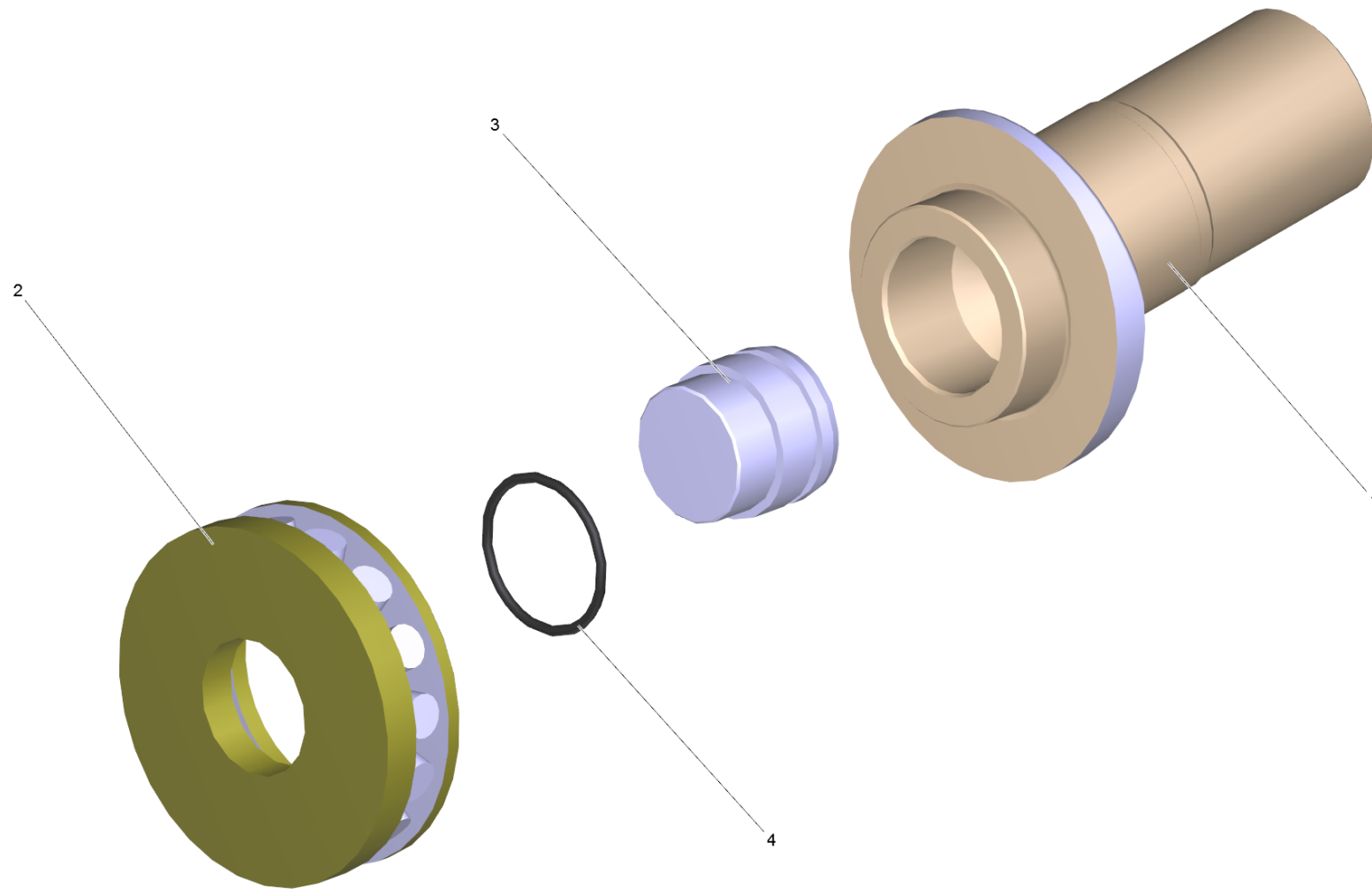
Gasoline engine 13PS (6.491-975.0)

POS	Article no.	Description	Quantity	Unit
1	6.491-550.0	Ignition plug BPR6ES	1.000	ST
2	6.491-345.0	Air filter insert	1.000	ST



32 Transmission

POS	Article no.	Description	Quantity	Unit	Foot note text
1	5.064-457.0	cover plate qusty grey oil	1.000	ST	
2	5.132-107.0	Plug	2.000	ST	
3	5.070-194.0	Tank	1.000	ST	
4	6.362-168.0	O-Ring seal 22,3 X 2,4-NBR 70	1.000	ST	
5	6.401-334.0	Axial roller bearing	1.000	ST	
7	4.120-238.0	Wobble plate -nur für Ersatz-	1.000	ST	
8	6.401-225.3	Taper roller bearing 41	1.000	ST	
9	7.367-011.0	Radial shaft seal ring A40x52x7-NBR DIN	1.000	ST	
10	7.362-005.0	Joint ring A14x18 -Cu DIN 7603	1.000	ST	
11	7.382-233.0	Screw plug M14x1,5-A-CuZn DIN 7604	1.000	ST	
12	5.060-827.3	Housing	1.000	ST	
13	6.362-585.0	Seal	1.000	ST	
14	5.411-062.0	Screw plug	1.000	ST	
15	6.304-035.0	Screw 3/8"-16UNC	4.000	ST	
16	6.288-050.0	Engine oil 1L	1.000	ST	MOTOR 1,1L
17	6.362-612.0	O-Ring seal 24,77x5,33-NBR 70	1.000	ST	
18	5.132-144.0	Plug	1.000	ST	
19	6.362-810.0	O-Ring seal 28,0 X 2,0 NBR 70	1.000	ST	
20	4.120-198.0	Wobble plate complete	1.000	ST	

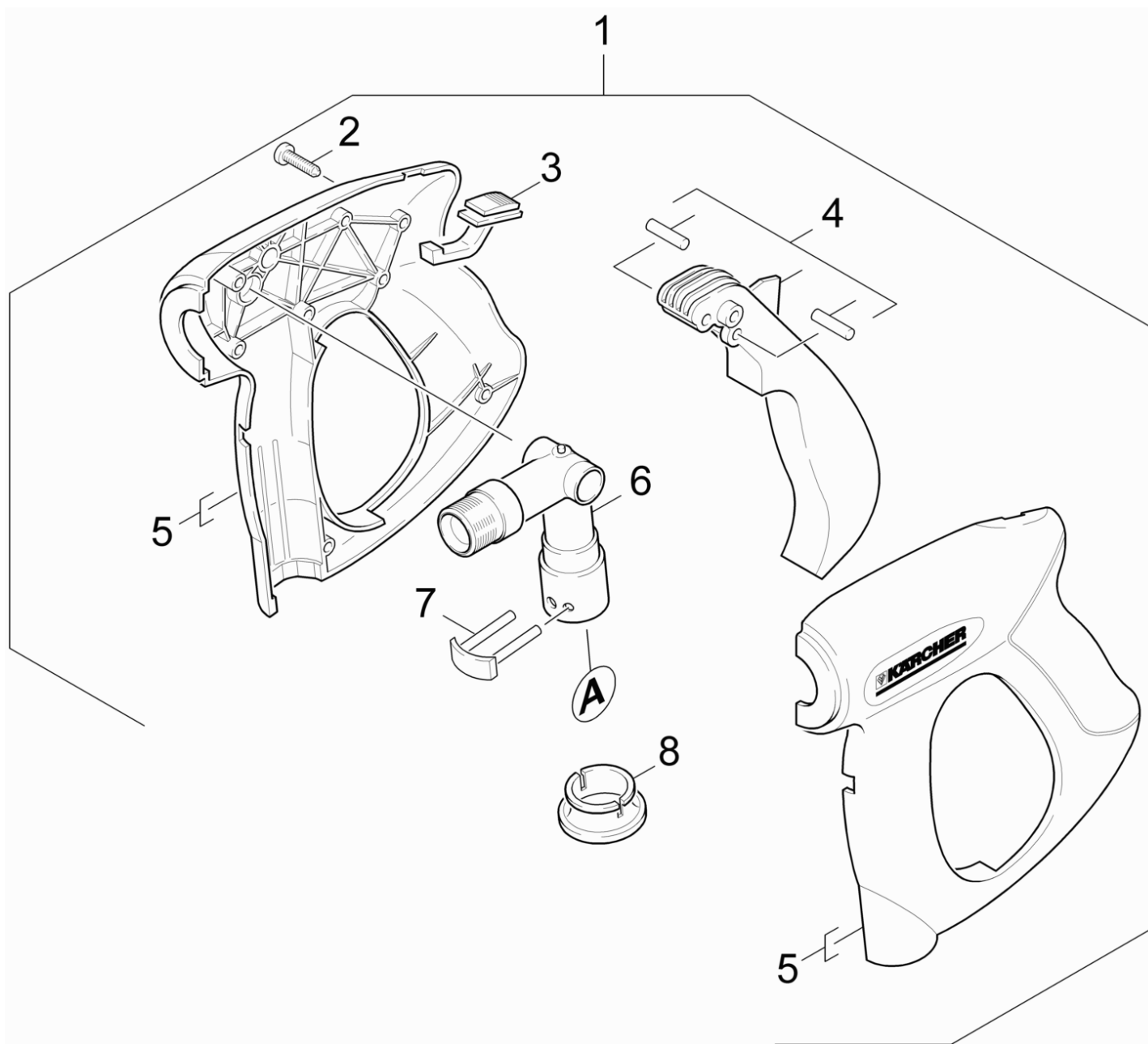


20 Wobble plate complete (4.120-198.0)

POS	Article no.	Description	Quantity	Unit
1	4.120-238.0	Wobble plate -nur für Ersatz-	1.000	ST
2	6.401-334.0	Axial roller bearing	1.000	ST
3	5.132-144.0	Plug	1.000	ST
4	6.362-810.0	O-Ring seal 28,0 X 2,0 NBR 70	1.000	ST

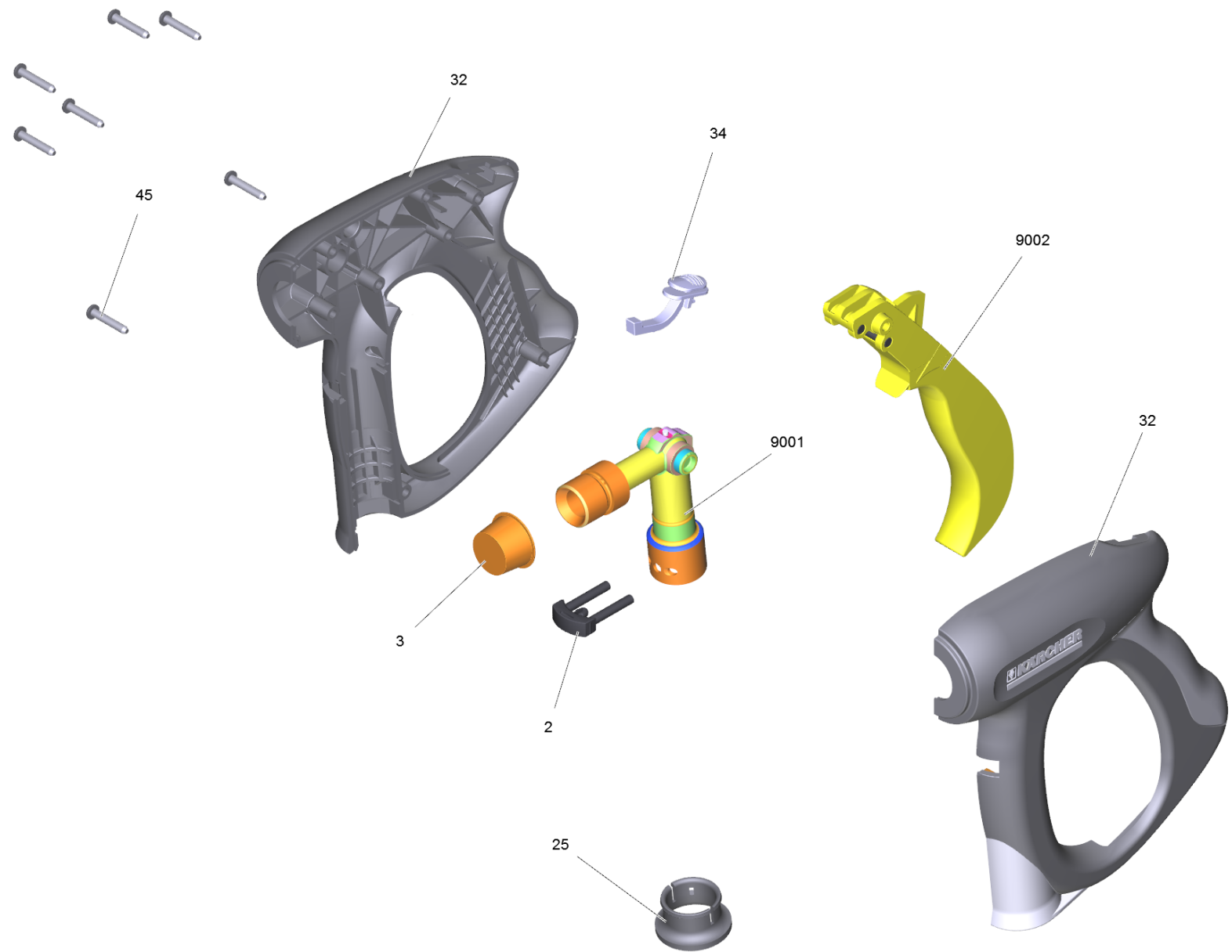
40 Accessories

POS	Description	Quantity	Unit
41	Hand trigger gun	1.000	ST
42	Rotary controller	1.000	ST
43	High pressure hose	1.000	ST
44	Jet pipe	1.000	ST
45	Nozzle	1.000	ST



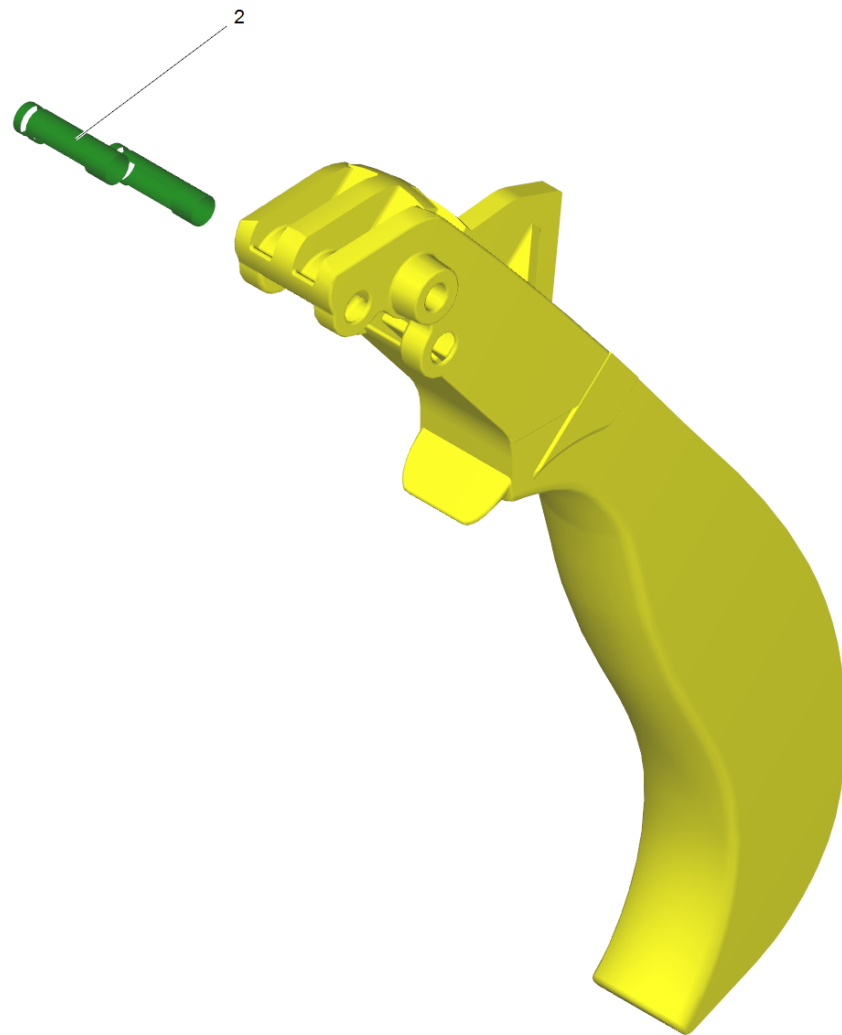
41 Hand trigger gun

POS	Article no.	Description	Quantity	Unit
1	4.775-463.0	HAND TRIGGER GUN EASY PRESS	1.000	ST
2	7.303-096.0	Screw 4x22 -ST-10.9-R2R (IN6RD)	7.000	ST
3	5.481-331.0	Slider	1.000	ST
4	4.481-209.0	Lever complete	1.000	ST
5	5.321-669.3	Handhold few	1.000	ST
6	4.427-215.0	Manifold complete only for replacement	1.000	ST
7	4.037-013.0	Hook	1.000	ST
8	5.110-596.0	Sleeve	1.000	ST



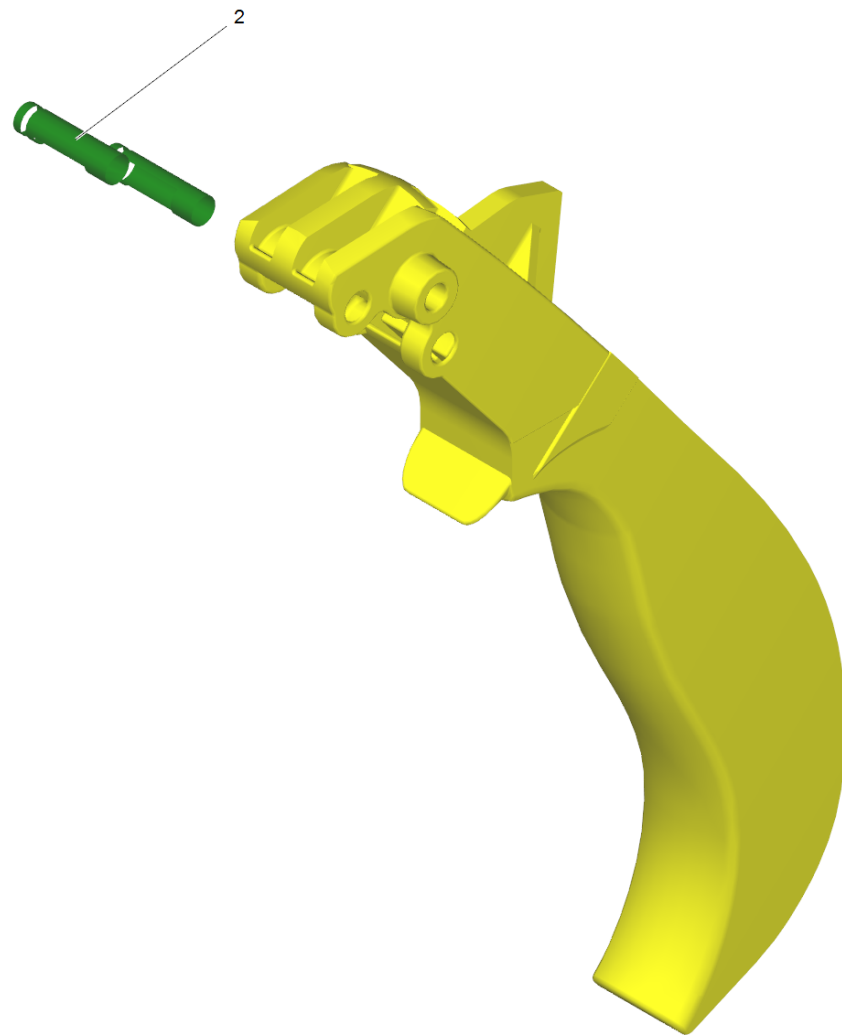
1 HAND TRIGGER GUN EASY PRESS (4.775-463.0)

POS	Article no.	Description	Quantity	Unit
2	4.037-013.0	Hook	1.000	ST
3	6.368-012.0	Protecting cap 22X1,5	1.000	ST
4	6.869-075.0	Metal bonding agent 1,5 ml	1.000	ST
25	5.110-596.0	Sleeve	1.000	ST
32	5.321-669.3	Handhold few	1.000	ST
34	5.481-331.0	Slider	1.000	ST
45	7.303-096.0	Screw 4x22 -ST-10.9-R2R (IN6RD)	7.000	ST
1041	6.288-044.0	Silicon grease 100 G	1.000	ST
9001	4.427-215.0	Manifold complete only for replacement	1.000	ST
9002	4.481-209.0	Lever complete	1.000	ST



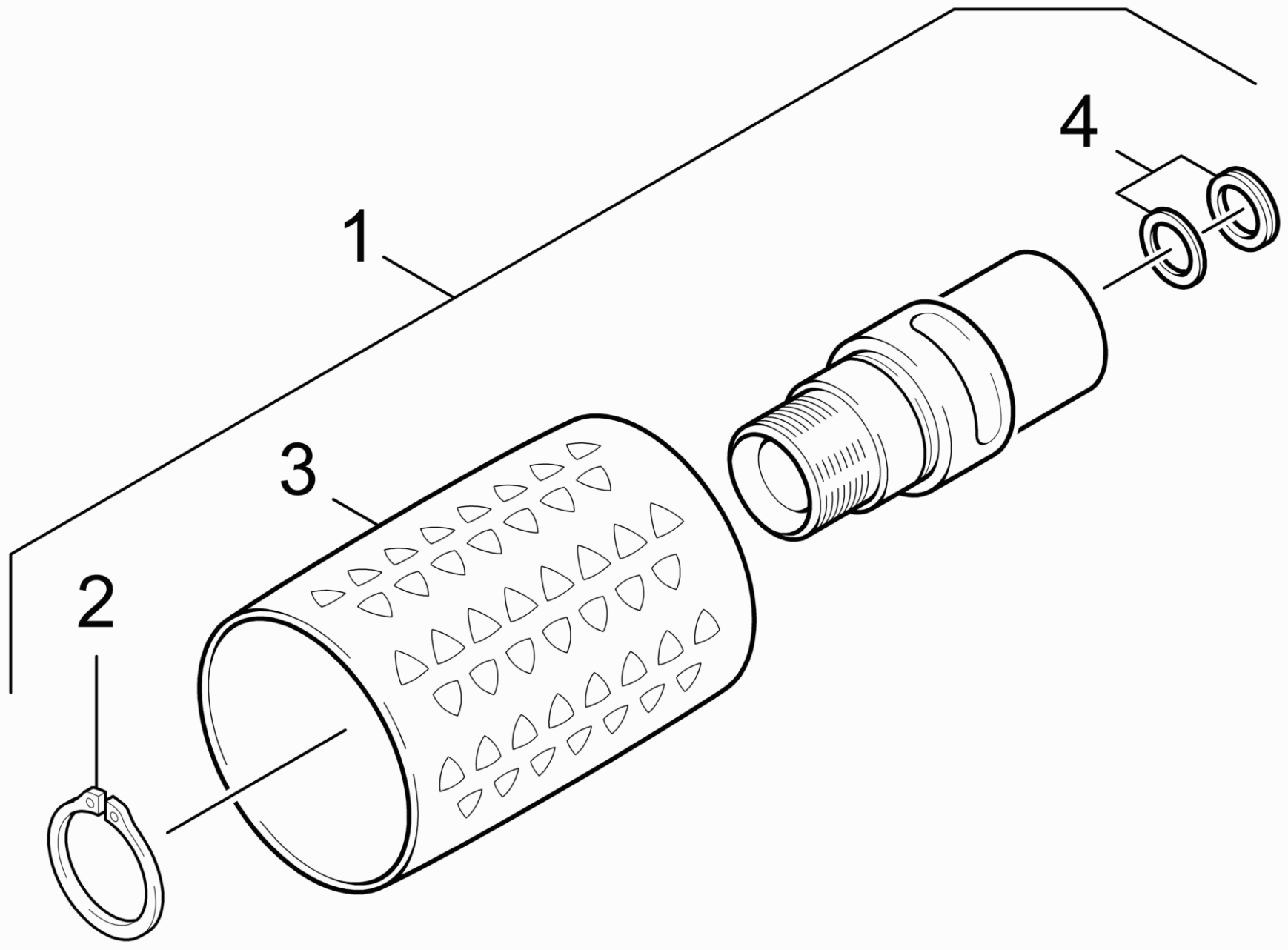
9002 Lever complete (4.481-209.0)

POS	Article no.	Description	Quantity	Unit
2	5.314-119.0	Pin	2.000	ST



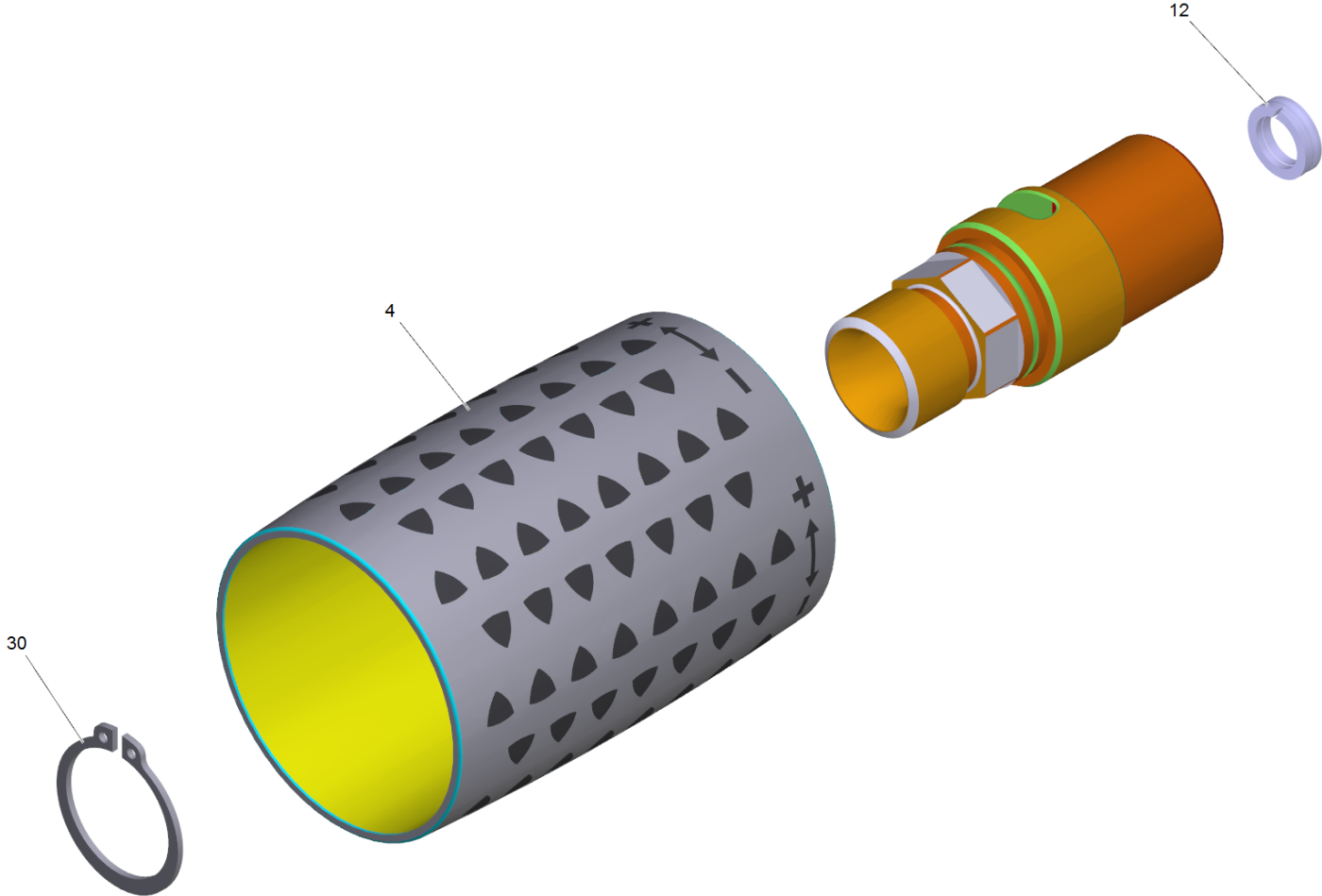
4 Lever complete (4.481-209.0)

POS	Article no.	Description	Quantity	Unit
2	5.314-119.0	Pin	2.000	ST



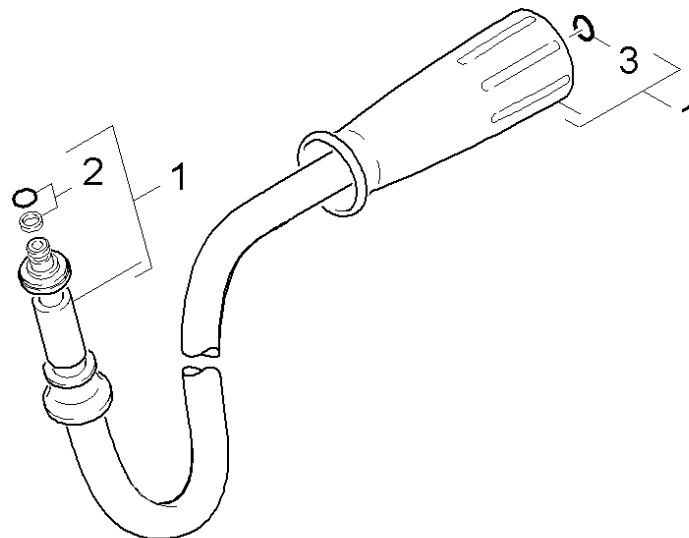
42 Rotary controller

POS	Article no.	Description	Quantity	Unit
1	4.775-470.0	Rotary controller 416L	1.000	ST
2	7.343-008.0	Locking ring 25x1,2-St-vz DIN 471	1.000	ST
3	5.321-668.0	Handle	1.000	ST
4	4.363-695.0	Grooved ring only for replacement	1.000	ST



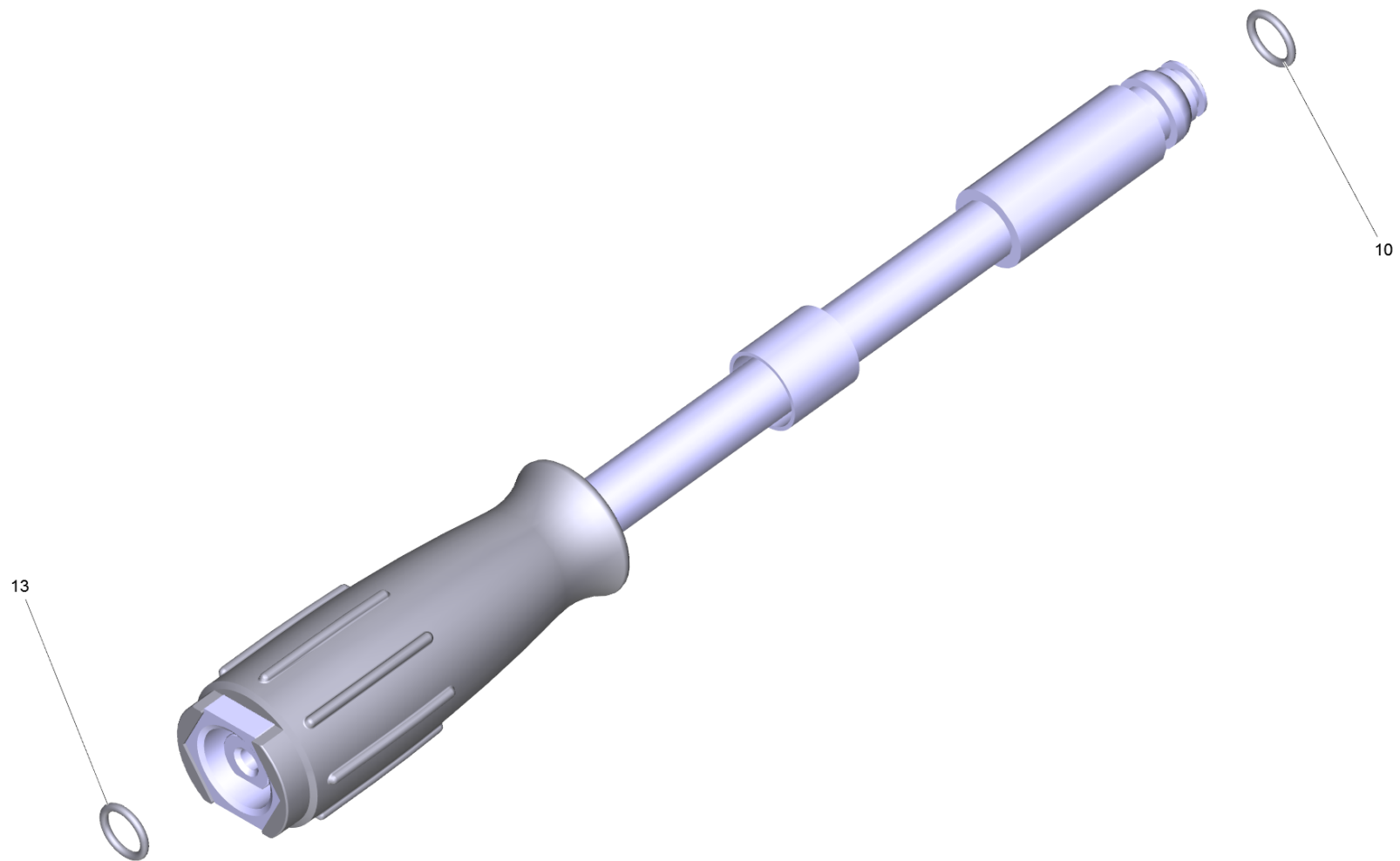
1 Rotary controller 416L (4.775-470.0)

POS	Article no.	Description	Quantity	Unit
4	5.321-668.0	Handle	1.000	ST
12	6.362-064.0	Quad joint ring 9.19x2.62	1.000	ST
30	7.343-069.0	Locking ring 25x1,2-1.4122 DIN 471	1.000	ST



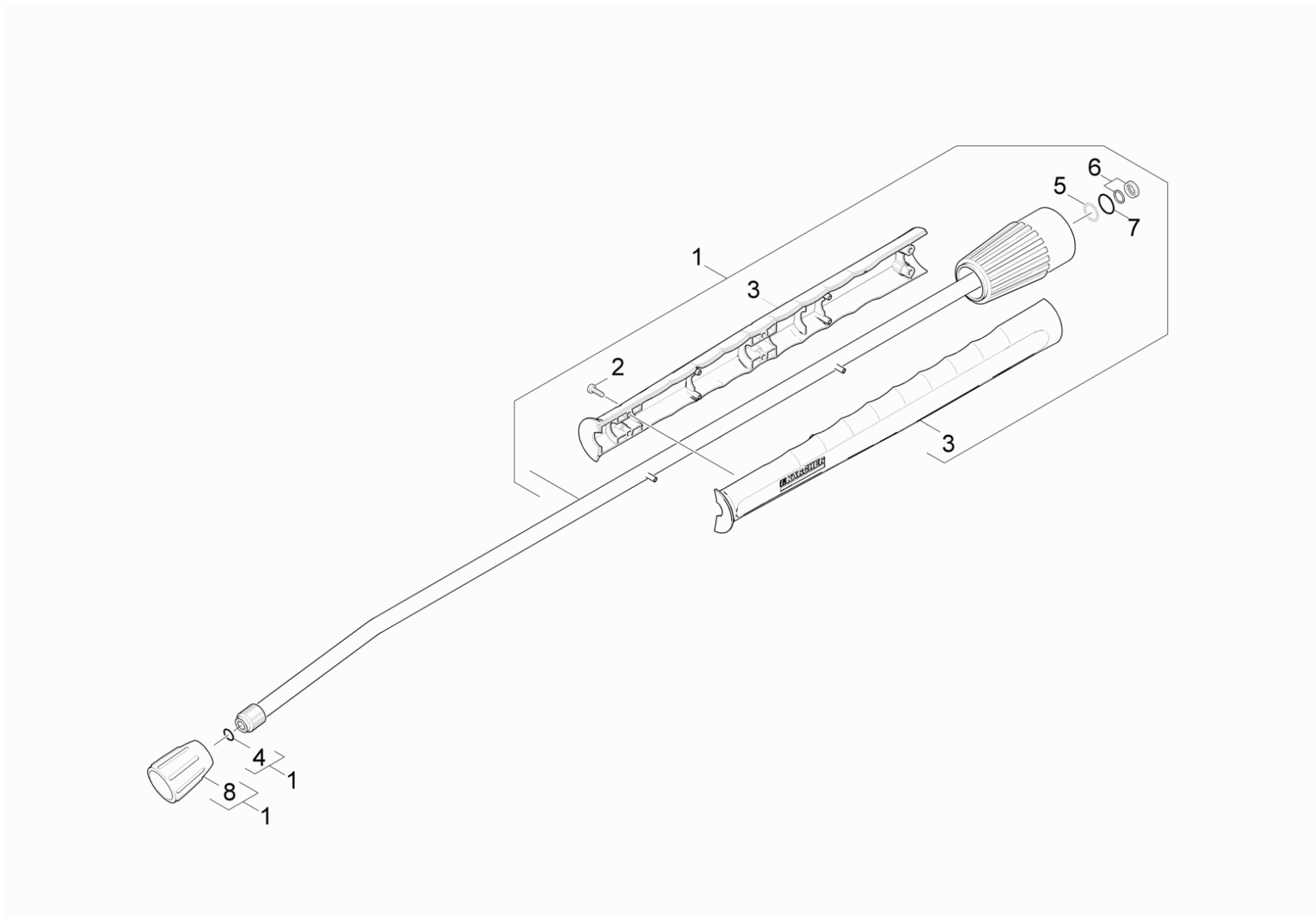
43 High pressure hose

POS	Article no.	Description	Quantity	Unit
1	6.390-185.0	Hose assembly DN8 max.31,5MPa 15m	1.000	ST
2	4.363-691.0	O-Ring seal kpl. -nur fuer Ersatz-	1.000	ST
3	2.880-990.0	Spare part set O-Ring 5x -Kaercher	1.000	ST



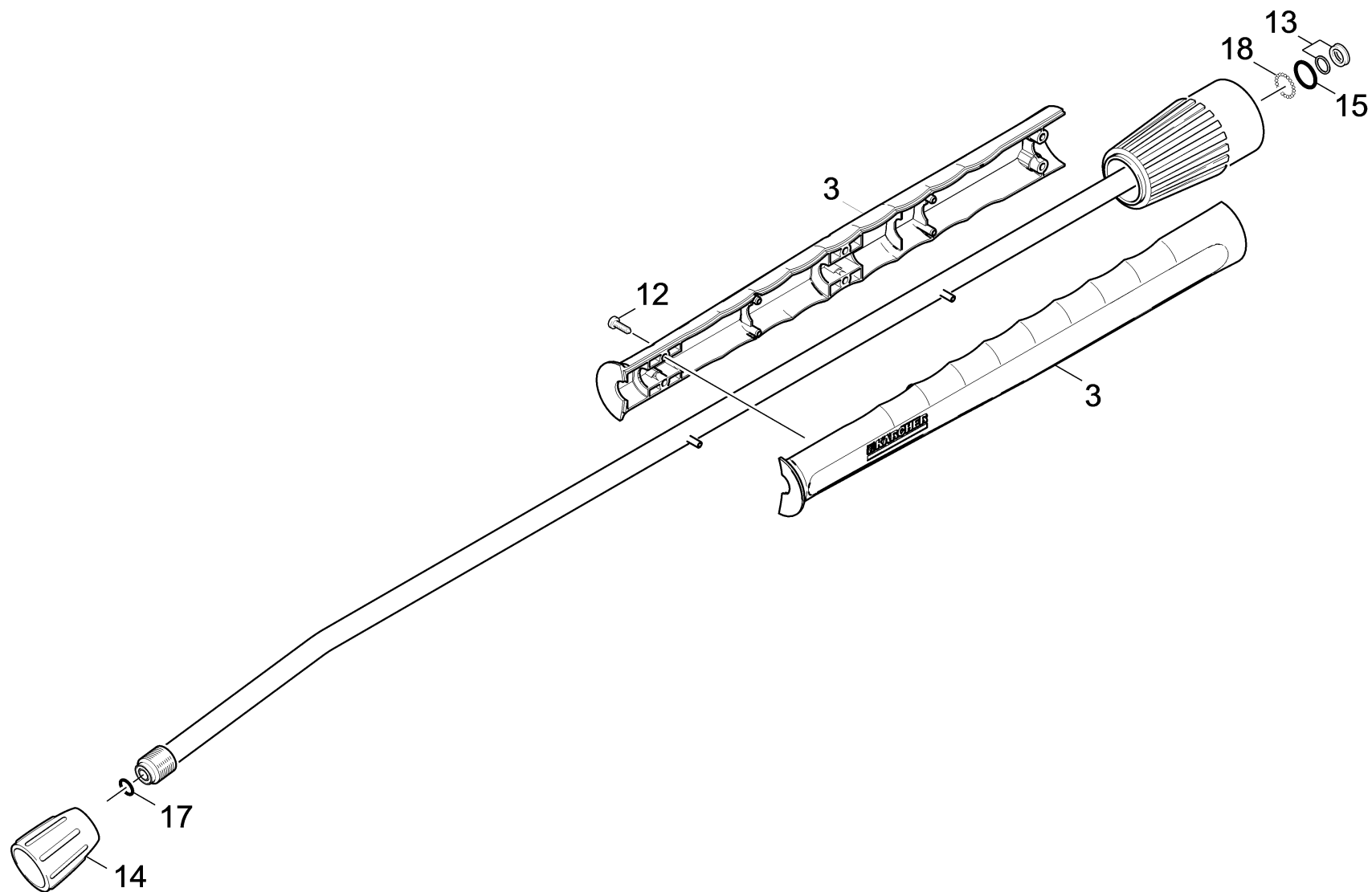
1 Hose assembly DN8 max.31,5MPa 15m (6.390-185.0)

POS	Article no.	Description	Quantity	Unit
10	4.363-691.0	O-Ring seal kpl. -nur fuer Ersatz-	1.000	ST
13	2.880-990.0	Spare part set O-Ring 5x -Kaercher	1.000	ST



44 Jet pipe

POS	Article no.	Description	Quantity	Unit
1	4.760-660.0	Jet pipe packaged only for replacement	1.000	ST
2	7.303-129.0	Screw 4x16 -10.9-R2R (K-In6Rd)	6.000	ST
3	5.321-855.0	Handhold few jet pipe with welding bolt	1.000	ST
4	2.880-990.0	Spare part set O-Ring 5x -Kaercher	1.000	ST
5	7.401-915.0	Sphere 2,5 G40 -1.4034 DIN 5401	20.000	ST
6	4.363-692.0	Grooved ring kpl. -nur fuer Ersatz-	1.000	ST
7	6.362-524.0	O-Ring seal 17,0 X 1,5	1.000	ST
8	5.401-210.0	Screw connector part	1.000	ST



1 Jet pipe packaged only for replacement (4.760-660.0)

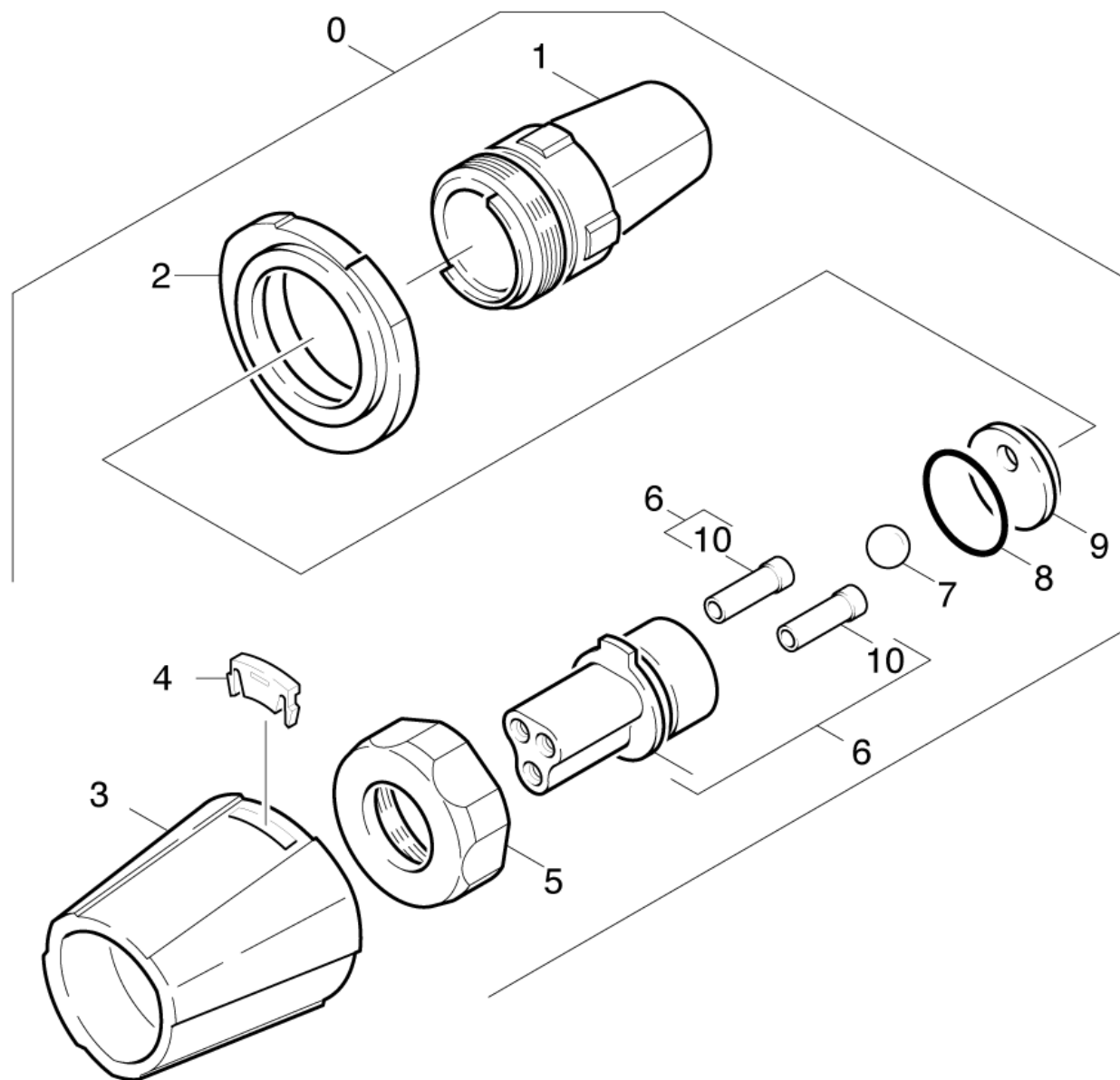
POS	Article no.	Description	Quantity	Unit
3	5.321-855.0	Handhold few jet pipe with welding bolt	1.000	ST
12	7.303-129.0	Screw 4x16 -10.9-R2R (K-In6Rd)	6.000	ST
13	4.363-692.0	Grooved ring kpl. -nur fuer Ersatz-	1.000	ST
14	5.401-210.0	Screw connector part	1.000	ST
15	6.362-524.0	O-Ring seal 17,0 X 1,5	1.000	ST
17	2.880-990.0	Spare part set O-Ring 5x -Kaercher	1.000	ST
18	7.401-915.0	Sphere 2,5 G40 -1.4034 DIN 5401	1.000	ST

14 Screw connector part (5.401-210.0)

POS	Description	Quantity	Unit
10	SCREW CONNECTOR PART	1.000	ST

8 Screw connector part (5.401-210.0)

POS	Description	Quantity	Unit
10	SCREW CONNECTOR PART	1.000	ST



45 Nozzle

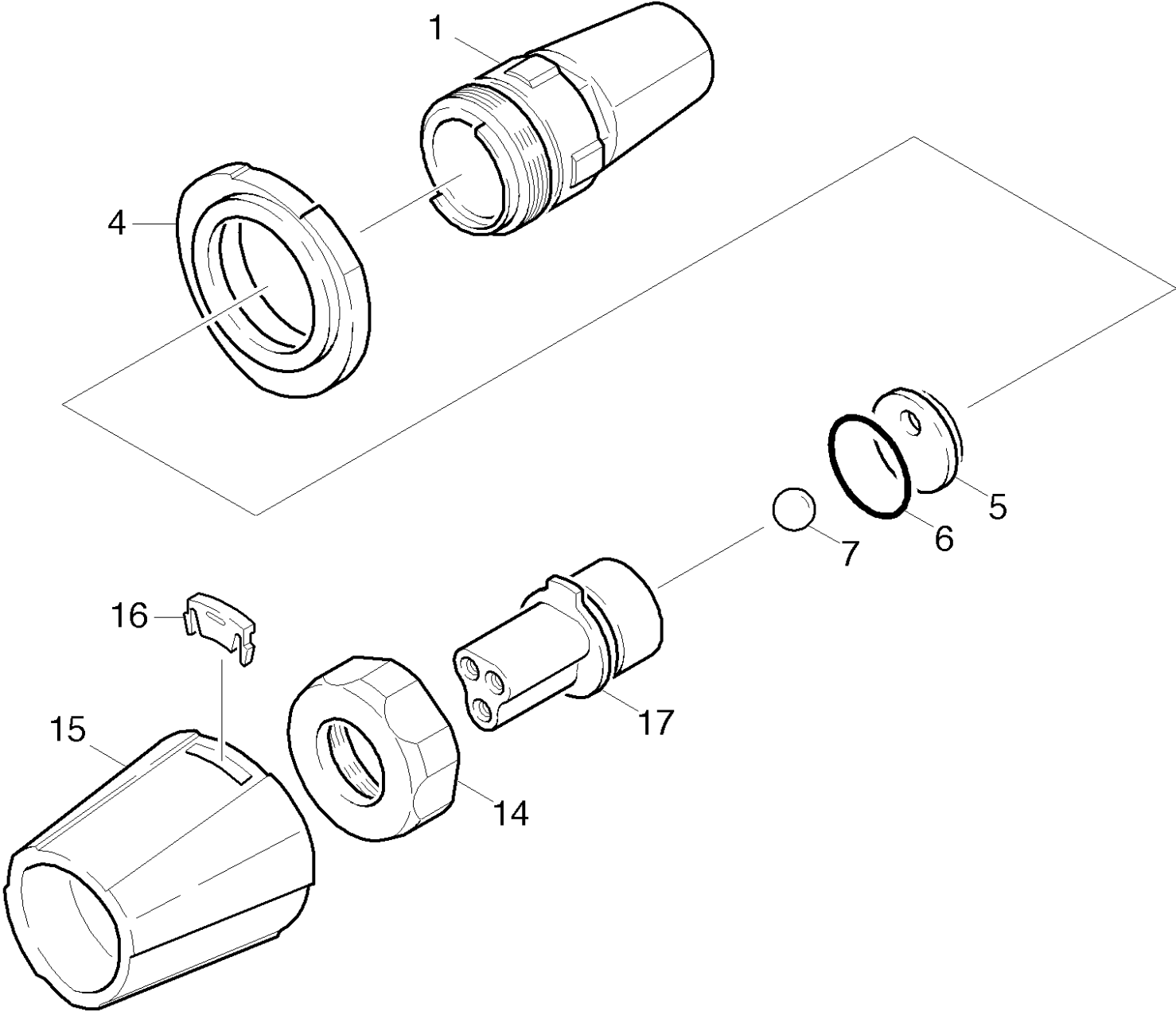
POS	Article no.	Description	Quantity	Unit
0	4.767-065.0	Triple jet nozzle with packing 05	1.000	ST
1	4.060-395.0	Housing complete only for replacement	1.000	ST
2	5.394-401.0	Protection part	1.000	ST
3	5.394-402.0	Protection part	1.000	ST
4	5.031-709.0	Moulded part	1.000	ST
5	5.311-192.0	Union nut	1.000	ST
6	4.764-158.0	Nozzle holder 05	1.000	ST
7	7.401-917.0	Sphere 10,0 G100-1.4301 DIN 5401	1.000	ST
8	6.363-612.0	O-Ring seal 22 x 2 -NBR90	1.000	ST
9	5.031-370.0	Moulded part	1.000	ST
10	5.031-597.0	Rectifier	2.000	ST

Triple jet nozzle with packing 05 (4.767-065.0)

POS	Article no.	Description	Quantity	Unit
2	5.970-000.0	Spare parts list triple jet nozzle	1.000	ST
Item text2: 47670650				

2 Spare parts list triple jet nozzle (5.970-000.0)

POS	Description	Quantity	Unit
10	Triple jet nozzle	1.000	ST



10 Triple jet nozzle

POS	Article no.	Description	Quantity	Unit	Remark
1	4.060-395.0	Housing complete only for replacement	1.000	ST	
4	5.394-401.0	Protection part	1.000	ST	
5	5.031-370.0	Moulded part	1.000	ST	
6	6.363-612.0	O-Ring seal 22 x 2 -NBR90	1.000	ST	
7	7.401-917.0	Sphere 10,0 G100-1.4301 DIN 5401	1.000	ST	
14	5.311-192.0	Union nut	1.000	ST	
15	5.394-402.0	Protection part	1.000	ST	
16	5.031-709.0	Moulded part	1.000	ST	
17	4.764-173.0	Nozzle holder 0100	1.000	ST	4.767-106.0
17	7.777-999.0	Stockpiling discontinued	1.000	ST	4.767-067.0/-069.0
17	4.764-169.0	Nozzle holder 09	1.000	ST	4.767-075.0
17	4.764-161.0	Nozzle holder 08	1.000	ST	4.767-068.0
17	4.764-158.0	Nozzle holder 05	1.000	ST	4.767-065.0
17	4.764-159.0	Nozzle holder 055	1.000	ST	4.767-066.0
17	4.764-157.0	Nozzle holder 047	1.000	ST	4.767-064.0

17 Nozzle holder 055 (4.764-159.0)

POS	Article no.	Description	Quantity	Unit
1	5.031-597.0	Rectifier	2.000	ST
	Item text2: 47641590			
7	6.362-661.0	O-Ring seal 5,0 X 1,0-NBR 80	3.000	ST
	Item text2: 47641590			
8	6.363-612.0	O-Ring seal 22 x 2 -NBR90	1.000	ST
	Item text2: 47641590			