



**Spare parts list**  
(1.645-300.0) GP 50 M4 \*EU-1

Table of contents

---

GP 50 M4 *EU-1 (1.645-300.0)	3
Spare parts list GP 50 M4 (5.971-082.0)	4
10 Housing	5
20 Individual parts	7

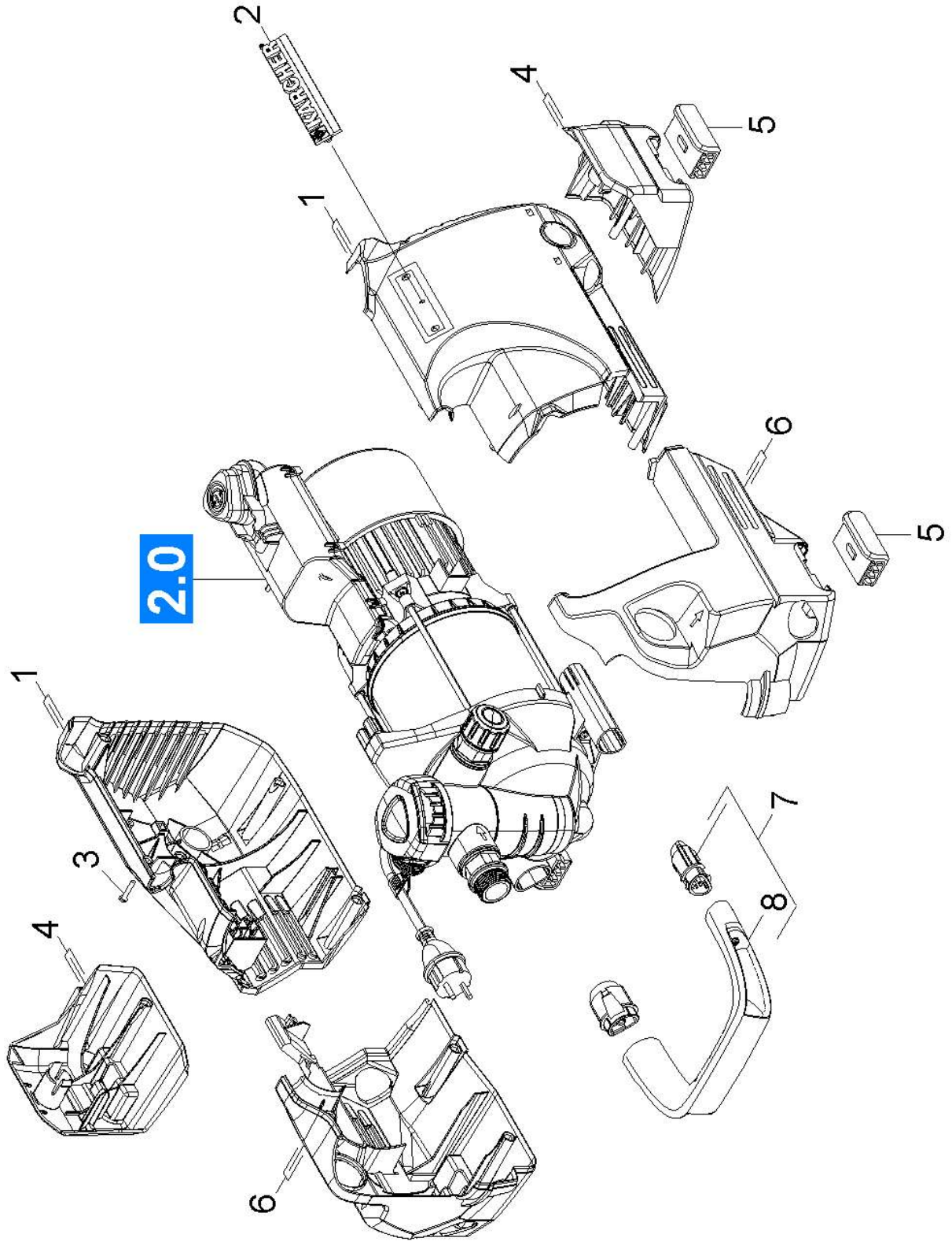
GP 50 M4 \*EU-1 (1.645-300.0)

---

POS	Article no.	Description	Quantity	Unit
0	5.971-082.0	Spare parts list GP 50 M4	1	PC

Spare parts list GP 50 M4 (5.971-082.0)

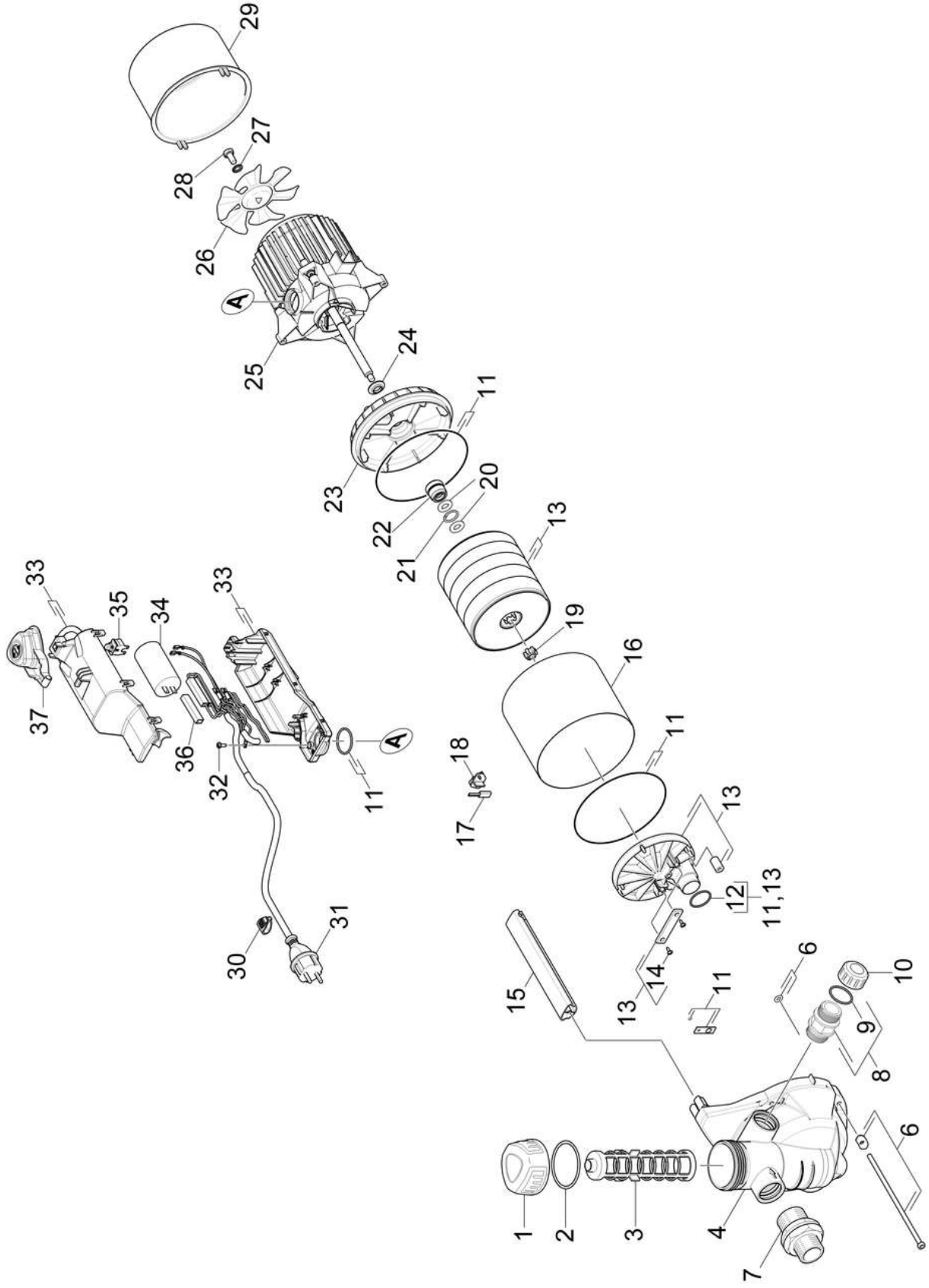
POS	Description	Quantity	Unit
10	Housing	1	PC
20	Individual parts	1	PC



## 10 Housing

POS	Article no.	Description	Quantity	Unit
5	5.645-122.0	Pedestal /rubber foot	4	PC
8	5.645-254.0	Handhold Trolley GP-M	1	PC
1	7.777-999.0	Stockpiling discontinued	1	PC
2	7.777-999.0	Stockpiling discontinued	2	PC
4	7.777-999.0	Stockpiling discontinued	1	PC
6	7.777-999.0	Stockpiling discontinued	1	PC
7	7.777-999.0	Stockpiling discontinued	1	PC
3	9.086-221.0	Screw ATF 4.1x22	11	PC

20 Individual parts



## 20 Individual parts

POS	Article no.	Description	Quantity	Unit	Remark
1	4.645-110.0	Cover filter complete / filter cap cpl.	1	PC	
3	4.645-126.0	Filter replacement /filter	1	PC	
31	4.645-127.0	Cable replacement *EU /supply cord	1	PC	*EU
31	4.645-144.0	Cable replacement *CH /supply cord	1	PC	*CH
31	4.645-145.0	Cable replacement *GB /supply cord	1	PC	*GB
8	4.645-211.0	Double connection complete G1	3	PC	
13	4.645-285.0	Hydraulic set replacement GP-M	1	PC	
11	4.645-286.0	Set of gaskets replacement GP-M	1	PC	
33	4.645-287.0	Electric box replacement GP-M	1	PC	
16	4.645-295.0	Cylinder replacement	1	PC	
6	4.645-296.0	Tie rod replacement GP-Multistage	1	PC	
37	5.645-112.0	Switch faceplate /button on/off	1	PC	
23	5.645-245.0	Flange GP-M	1	PC	
4	5.645-247.0	Pump head GP-M	1	PC	
15	5.645-252.0	Carrier handle GP-M	1	PC	
10	5.645-259.0	Cap closure G1	1	PC	
18	5.645-268.0	Protecting cap	1	PC	
20	5.645-269.0	Washer 12,2 x 23 x 1,5	2	PC	
30	5.645-426.0	Cable clip	1	PC	
19	5.645-437.0	Nut with clamping part	1	PC	
12	6.362-722.0	O-Ring seal 28,0 X 3,0	1	PC	
2	6.363-405.0	O-Ring seal 60x3,5	1	PC	
9	6.363-437.0	O-Ring seal 30x3	6	PC	
35	6.645-080.0	Switch /switch On/Off	1	PC	
22	6.645-108.0	Floating ring seal /rot. mechanical seal	1	PC	
24	6.645-333.0	Washer rubber GP-M	1	PC	
17	6.645-345.0	Temperature switch	1	PC	
36	6.645-360.0	Connector low-end	2	PC	
34	6.645-380.0	Capacitor 18µF S3	1	PC	
7	6.997-352.0	Connecting piece for pumps	1	PC	
32	7.303-031.0	Screw M4x10 -St-P2R (In6Rd)	1	PC	
14	7.303-242.0	Screw 3x10 -A2-70 (IN6RD)	2	PC	
28	7.304-395.0	Hexagonal head screw M8x16-8.8-A2E ISO	1	PC	



20 Individual parts

POS	Article no.	Description	Quantity	Unit	Remark
27	7.312-233.0	Serrated lock washer A8,4-FSt-A3E DIN67	1	PC	
21	7.343-003.0	Locking ring 12x1-Rf-St DIN 471	1	PC	
25	7.777-999.0	Stockpiling discontinued	1	PC	
26	9.039-188.0	Blower wheel	1	PC	
29	9.760-150.0	Fan cover grey (9.037-044)	1	PC	