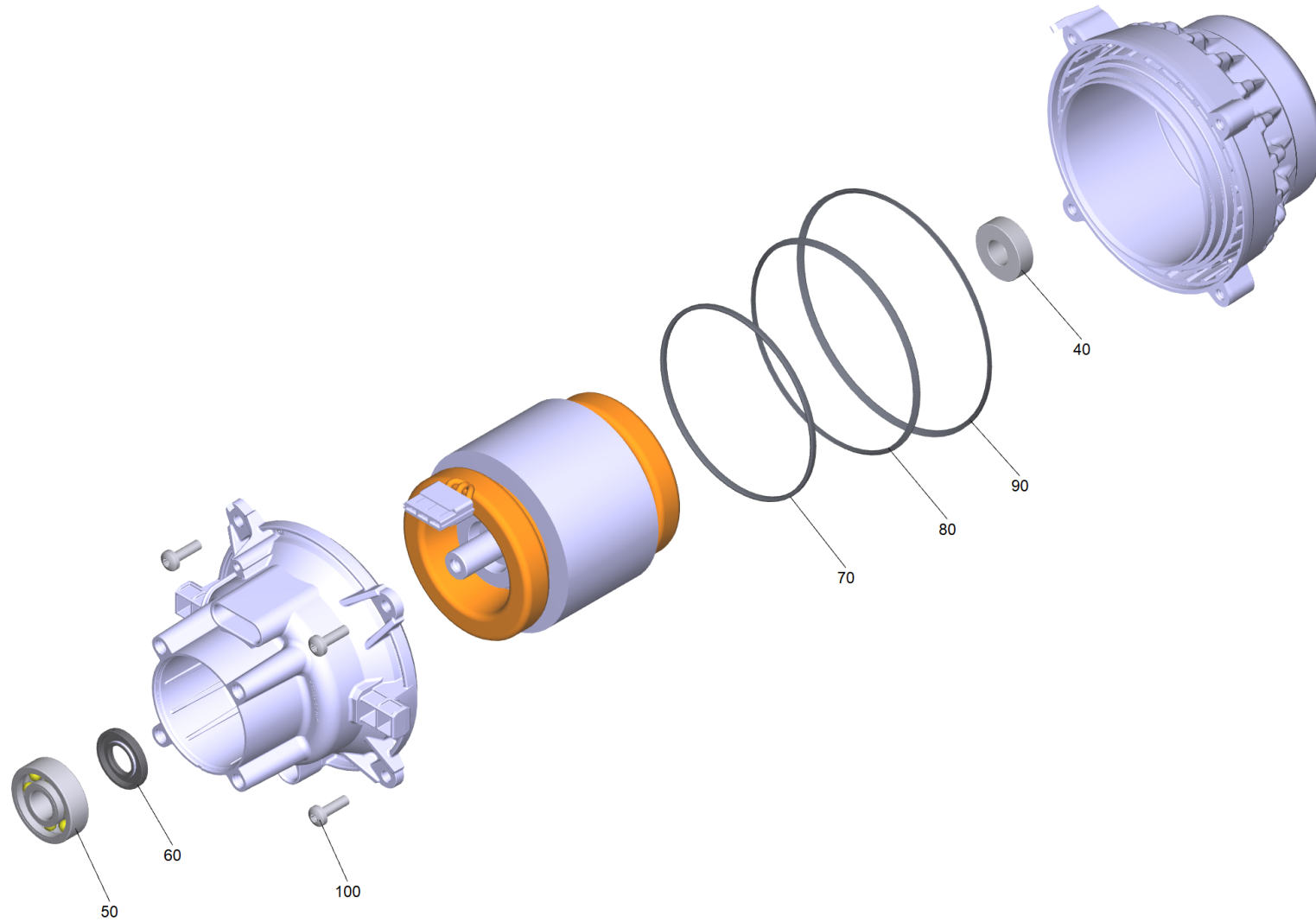


# 5 Motor complete K5 NCR H85 WCM3.5

Home and Garden \ High pressure cleaner cold water \ Electric motor \ K 5 \ K 5 Compact \*EU \ Pump set complete Compact K5 NCR \ Motor complete for replacement K5 NCR \*EU \ Motor complete K5 NCR H85 WCM3.5



## 5 Motor complete K5 NCR H85 WCM3.5

Home and Garden \ High pressure cleaner cold water \ Electric motor \ K 5 \ K 5 Compact \*EU \ Pump set complete Compact K5 NCR \ Motor complete for replacement K5 NCR \*EU \ Motor complete K5 NCR H85 WCM3.5

**KÄRCHER**

POS	Article no.	Description	Quantity	Unit
40	4.401-198.0	Ball bearing 6202-2RS -Wälzl.St DIN 625	1	PC
50	7.401-010.0	Ball bearing 6303 St DIN 625-1	1	PC
60	9.078-021.0	Grooved ring 17x35x5	1	PC
70	9.080-503.0	O-ring d.113,0x3.0 EPDM 70	1	PC
80	9.080-504.0	O-Ring seal 124x3 EPDM 70	1	PC
90	9.080-505.0	O-Ring seal 142.2x3 EPDM 70	1	PC
100	7.306-092.0	Screw M6x20-ST- 8.8-R3R (IN6RD)	4	PC