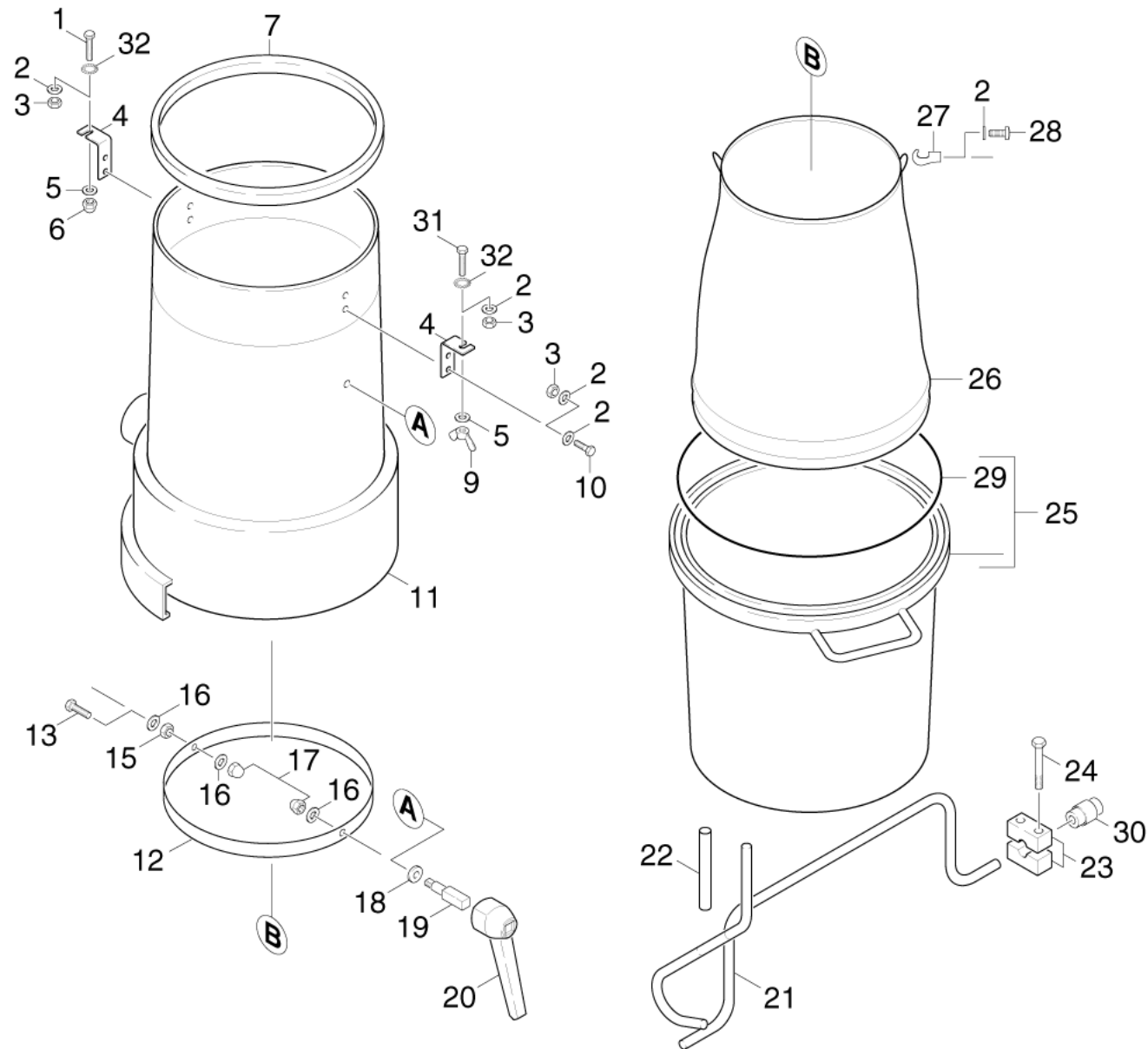


## 21 Filter system

Vehicle wash \ Self-service appliances \ SB-Sauger \ DUO ESSO, incl. column, 0,50 Euro \ Spare parts list DUO SB-SAUGER \ Filter \ Filter system



## 21 Filter system

Vehicle wash \ Self-service appliances \ SB-Sauger \ DUO ESSO, incl. column, 0,50 Euro \ Spare parts list DUO SB-SAUGER \ Filter \ Filter system

**KÄRCHER**

POS	Article no.	Description	Quantity	Unit
1	7.305-055.0	Countersunk screw M6x30 -A2-70 (In6Rd)	2	PC
2	7.312-003.0	Washer 6 -200HV-A3E ISO 7089	10	PC
3	7.311-003.0	Hexagon nut M6 -8-A2E ISO 4032	6	PC
4	5.017-339.0	ANGLE BEHAELTER	4	PC
5	7.312-276.0	Washer 6 -200HV-A2E ISO7093-1	4	PC
6	7.311-622.0	Cap nut M 6-A2 DIN 986	2	PC
7	6.273-187.0	Cellular rubber Profilirng	2	PC
9	7.310-012.0	Wing nut M 6 -A DIN 315	2	PC
10	7.306-092.0	Screw M6x20-ST- 8.8-R3R (IN6RD)	8	PC
11	5.070-544.0	Tank self-service vacuum cleaner	2	PC
12	5.114-471.0	Ring self-service vacuum cleaner	1	PC
13	7.304-399.0	Hexagonal head screw M 8x25-8.8-A2E ISO	1	PC
15	7.311-004.0	Hexagon nut M8 -8-A3E ISO 4032	1	PC
16	7.312-017.0	Washer 8-A2 ISO 7089	2	PC
17	7.311-620.0	Cap nut M8 -A2 DIN 986	2	PC
18	6.412-751.0	Joint ring	1	PC
19	5.108-193.0	Pin self-service vacuum cleaner	1	PC
20	6.321-150.0	Handhold self-service vacuum cleaner vib	1	PC
21	4.263-028.0	Tensioning part self-service vacuum clea	1	PC
22	6.388-754.0	Hose 13X3,5 PVC	1	m
23	6.390-150.0	Clamp	2	PC
24	7.306-131.0	Screw M6x45 -8.8-P2R (In6Rd)	4	PC
25	4.070-351.0	Tank complete trash can	1	PC
26	6.904-174.0	Dust filter	2	PC
27	6.373-699.0	Hook self-service vacuum cleaner L=28, M	4	PC
28	7.306-089.0	Screw M6x12 -8.8-R2R (In6Rd)	4	PC
29	6.273-188.0	Cord cellular rubber D=10MM 968MM LANG	1	PC
30	6.369-259.0	Insert D 12	2	PC
31	7.305-058.0	Countersunk screw M6x40-St-8.8-ZNBHL ISO14581	2	PC
32	7.312-167.0	Toothed lock washer A6,4-FSt-A3E DIN 6797	4	PC