

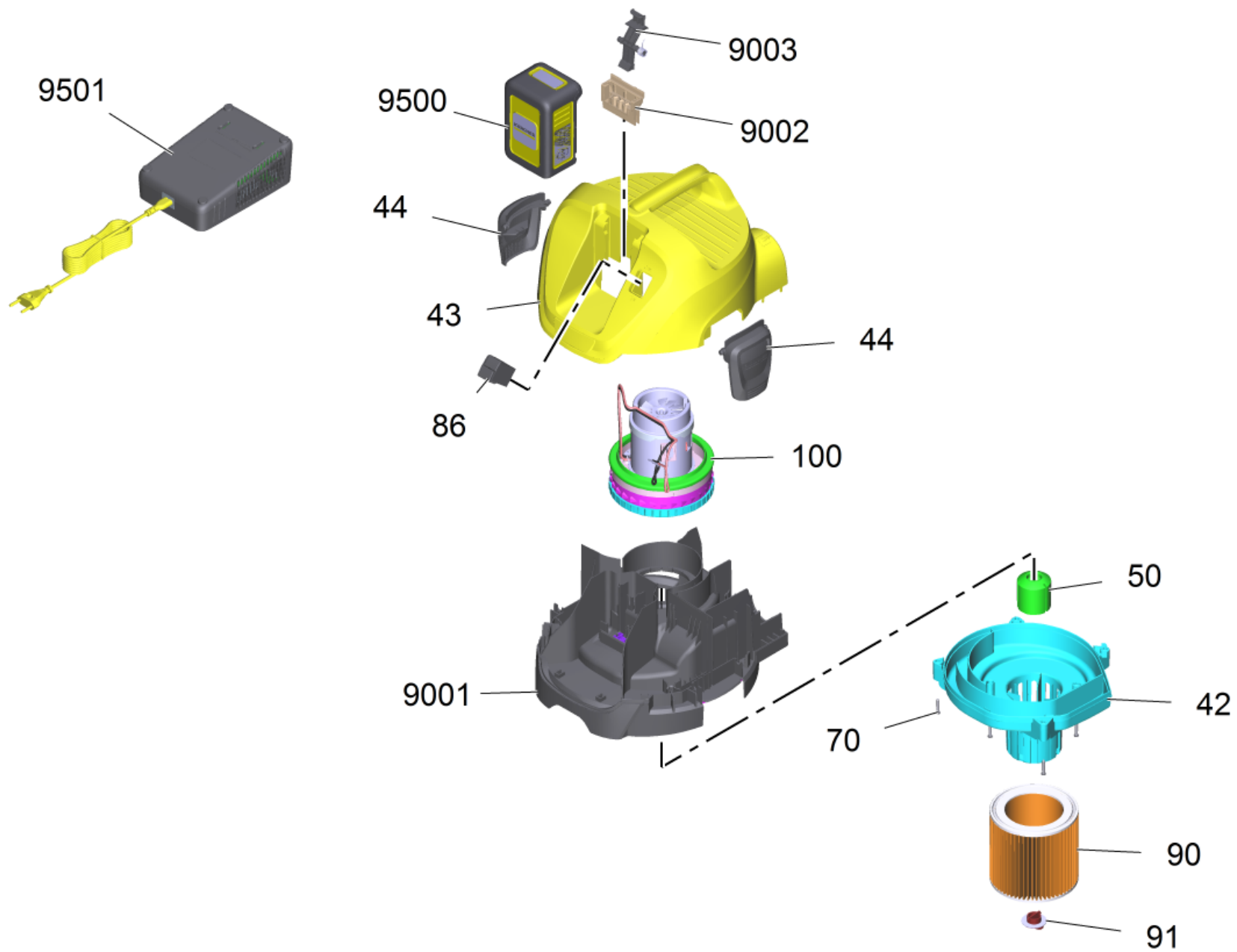
## **Spare parts list**

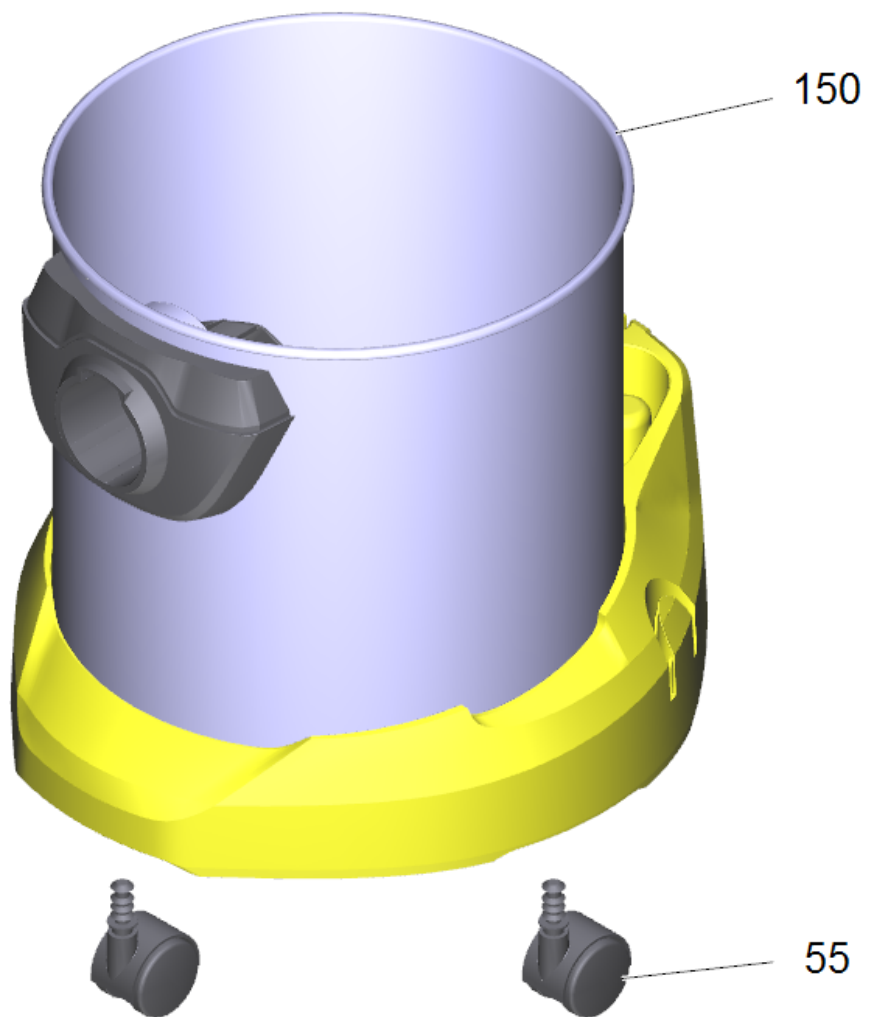
(1.629-951.0) WD 3 Battery Premium Set \*EU-II

## Table of contents

---

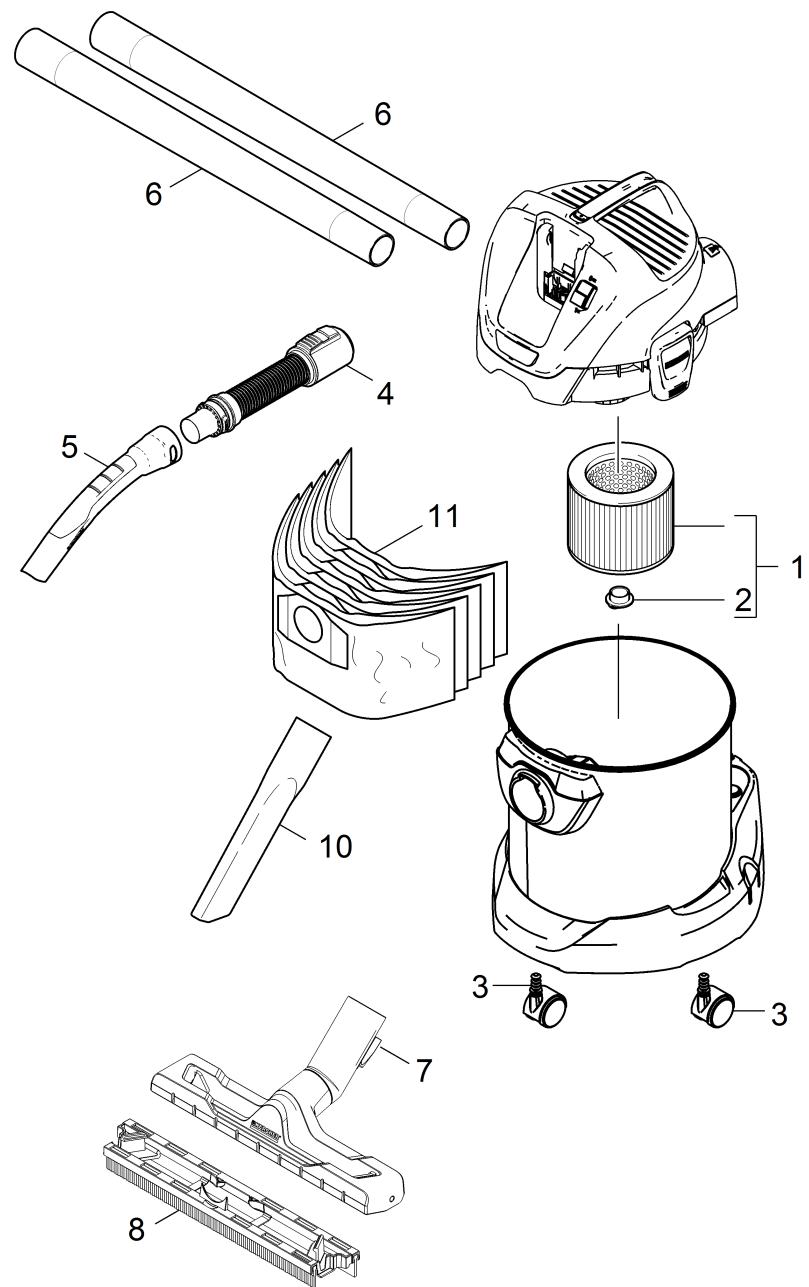
WD 3 Battery Premium Set *EU-II (1.629-951.0)	3
Short spare parts list	6
90 Cartridge filter WD/SE (6.414-552.0)	8
150 Tank metal packaged (4.440-011.0)	10
9000 Accessories	12





WD 3 Battery Premium Set \*EU-II (1.629-951.0)

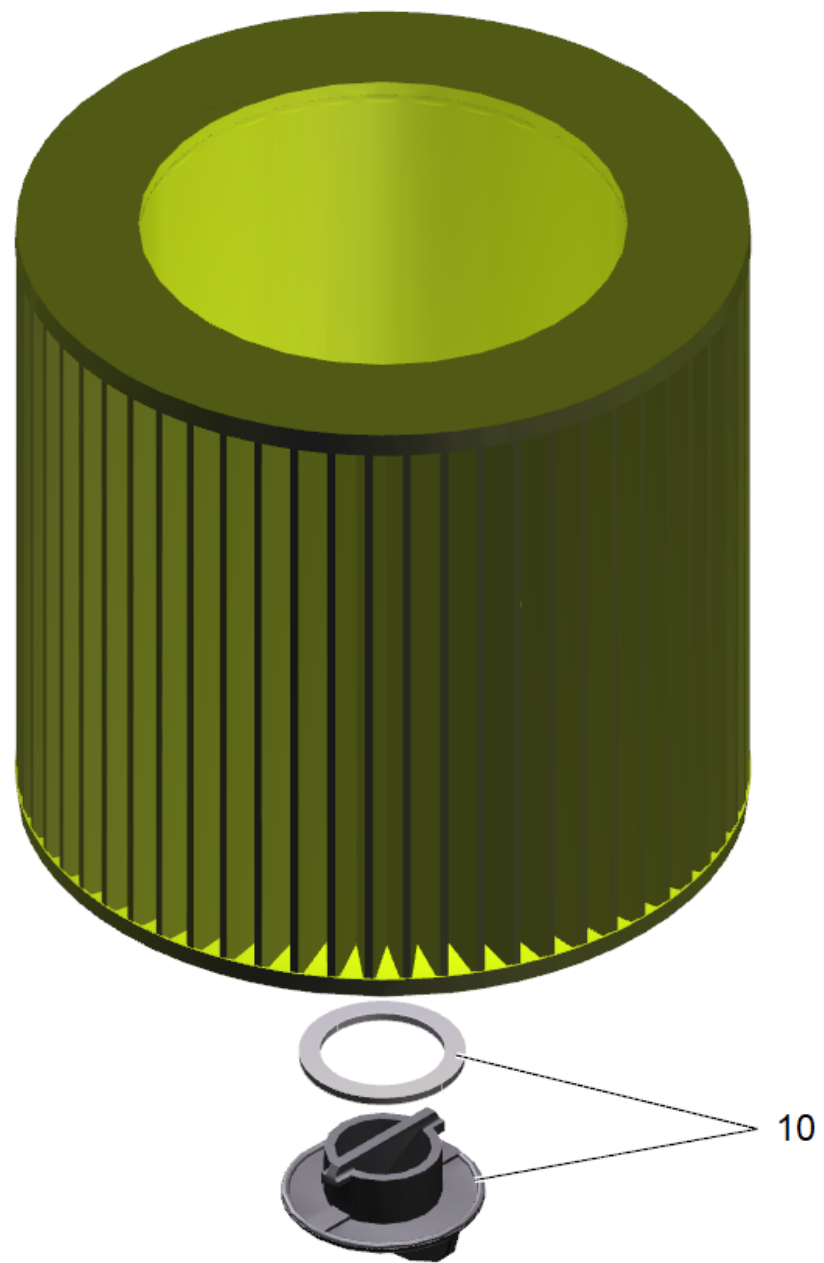
POS	Article no.	Description	Quantity	Unit	Remark
9000		Accessories	1.000	ST	
9500	2.445-030.0	Battery Power 36/25 DW *INT	1.000	ST	36V/2,5Ah
9500	2.445-031.0	Battery Power 36/50 DW *INT	1.000	ST	36V/5,0Ah
90	6.414-552.0	Cartridge filter WD/SE	1.000	ST	
55	6.435-353.0	Castor D 42	4.000	ST	
44	5.075-037.0	Closure	2.000	ST	
91	4.075-012.0	Closure complete	1.000	ST	
43	4.069-055.0	Cover WD 3 Battery complete	1.000	ST	
9501	2.445-045.0	Fast battery recharger Battery Power+ 36/60 *EU	1.000	ST	36V/6,0A
9501	2.445-033.0	Fast battery recharger Battery Power 36 V *EU	1.000	ST	36V/2,5A
42	5.731-646.0	Filter cage	1.000	ST	
50	5.585-062.0	Float ECO	1.000	ST	
70	6.303-150.0	Screw 4,2x 22	6.000	ST	
9002	4.053-006.0	Set ejector accumulator	1.000	ST	
9001	4.053-005.0	Set motor bracket	1.000	ST	
9003	4.053-007.0	Set releasing device accumulator	1.000	ST	
0		Short spare parts list	1.000	ST	
86	6.630-087.0	Switch	1.000	ST	
150	4.440-011.0	Tank metal packaged	1.000	ST	
9501	2.445-054.0	Universal charger Battery Power+ 18-36/60 *EU	1.000	ST	18-36V/2,5-6A *EU
100	4.624-353.3	Vac motor only for replacement	1.000	ST	



## Short spare parts list

---

<b>POS</b>	<b>Article no.</b>	<b>Description</b>	<b>Quantity</b>	<b>Unit</b>
1	6.414-552.0	Cartridge filter WD/SE	1.000	ST
3	6.435-353.0	Castor D 42	4.000	ST
2	4.075-012.0	Closure complete	1.000	ST
10	6.900-385.0	Crevice nozzle DN35	1.000	ST
6	2.863-148.0	Extension suction tube WD	2.000	ST
11	6.959-130.0	Filter bag WD/SE 5pc.	1.000	ZSA
7	4.629-013.0	Floor tool clip packaged	1.000	ST
5	2.863-012.0	Hand grip suction hose	1.000	ST
4	4.441-066.0	Hose complete packaged	1.000	ST
8	4.629-016.0	Mixing insert floor nozzle packaged	1.000	ST

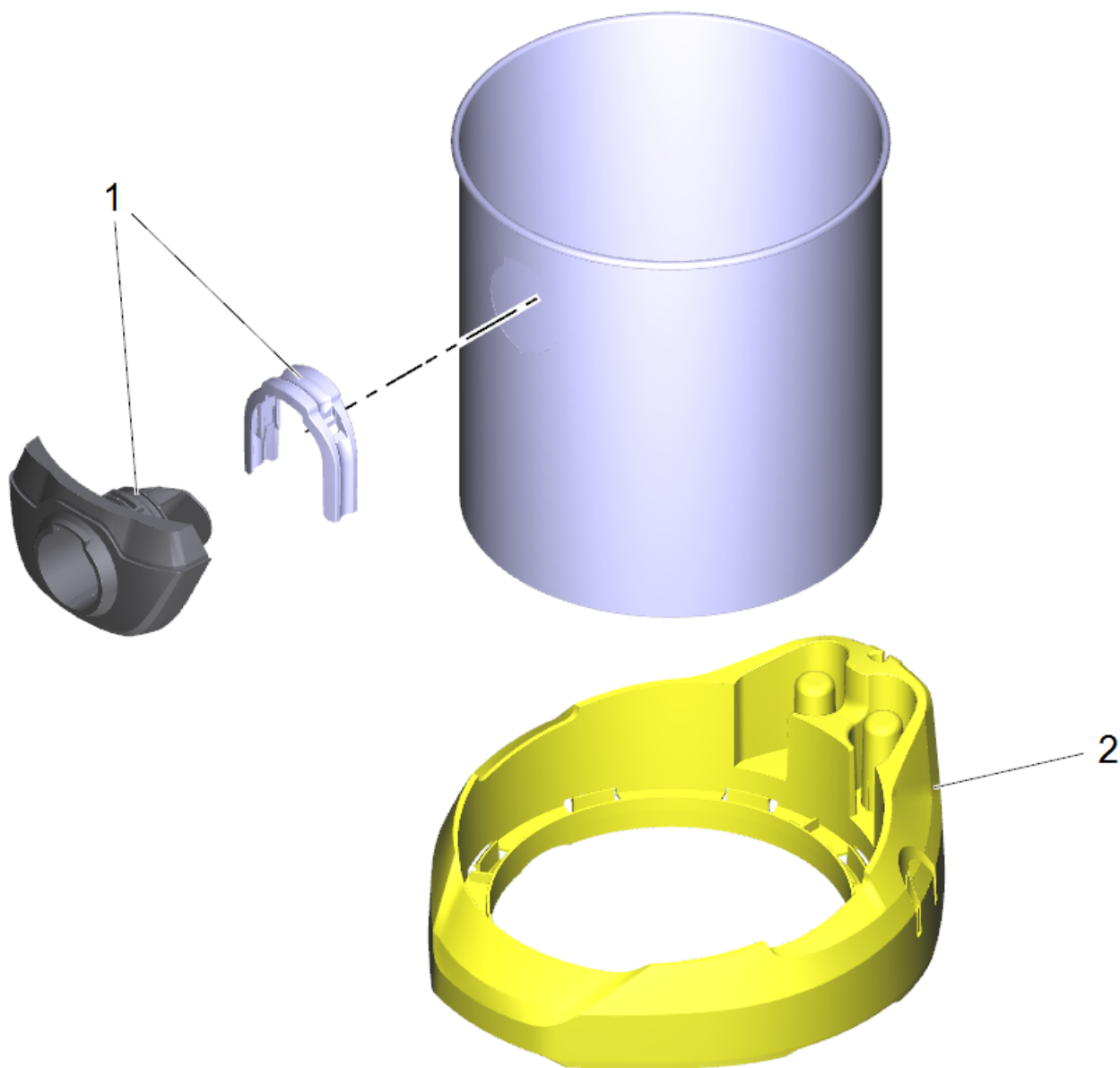




90 Cartridge filter WD/SE (6.414-552.0)

---

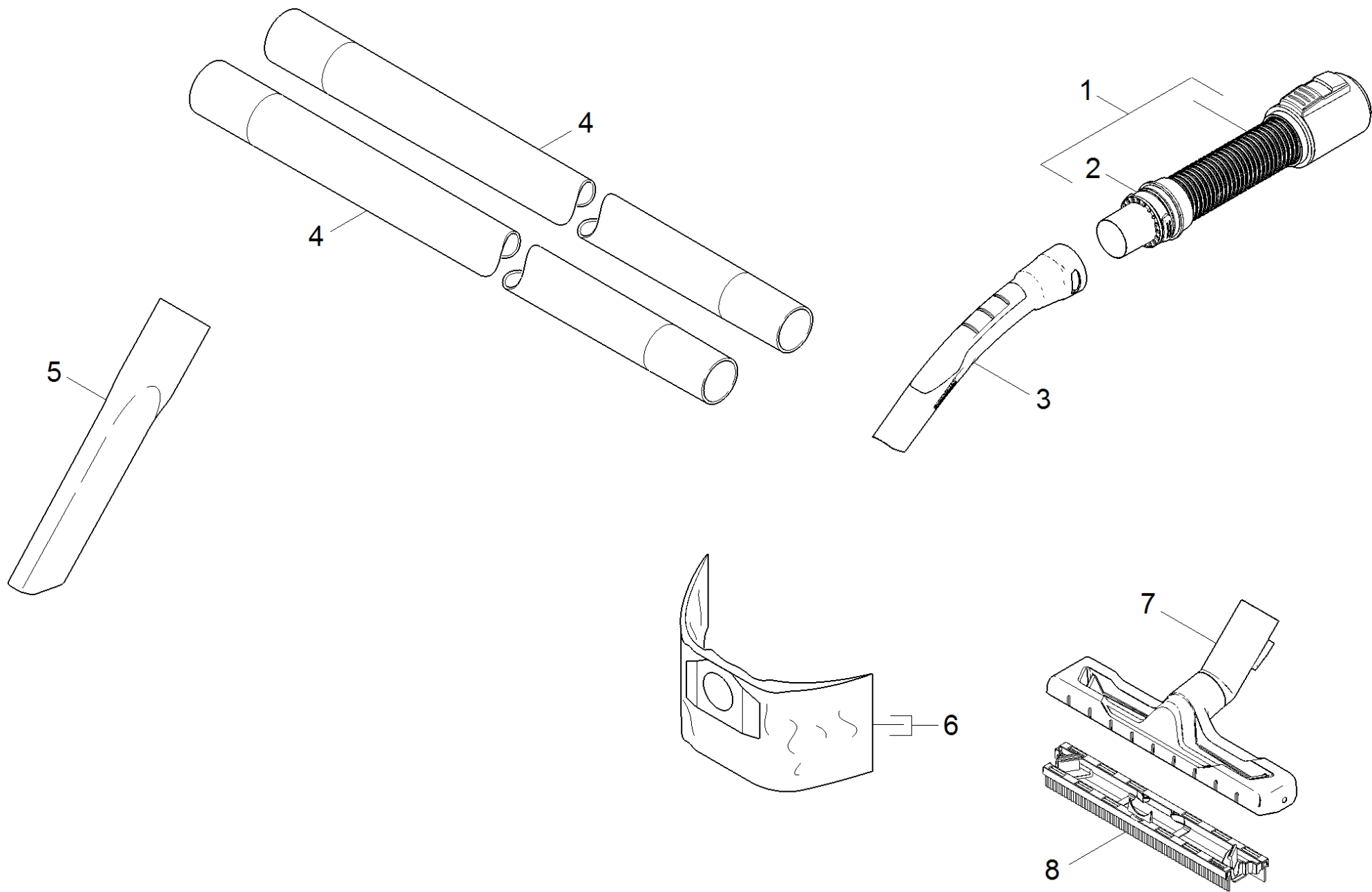
<b>POS</b>	<b>Article no.</b>	<b>Description</b>	<b>Quantity</b>	<b>Unit</b>
10	4.075-012.0	Closure complete	1.000	ST



150 Tank metal packaged (4.440-011.0)

---

<b>POS</b>	<b>Article no.</b>	<b>Description</b>	<b>Quantity</b>	<b>Unit</b>
2	5.640-364.0	Bumper	1.000	ST
1	2.885-402.0	Suction connection complete packaged	1.000	ST



## 9000 Accessories

---

<b>POS</b>	<b>Article no.</b>	<b>Description</b>	<b>Quantity</b>	<b>Unit</b>
5	6.900-385.0	Crevice nozzle DN35	1.000	ST
4	2.863-148.0	Extension suction tube WD	2.000	ST
6	6.959-130.0	Filter bag WD/SE 5pc.	1.000	ZSA
7	4.629-013.0	Floor tool clip packaged	1.000	ST
3	2.863-012.0	Hand grip suction hose	1.000	ST
1	4.441-066.0	Hose complete packaged	1.000	ST
8	4.629-016.0	Mixing insert floor nozzle packaged	1.000	ST
2	6.645-688.0	Spring washer suction hose	1.000	ST