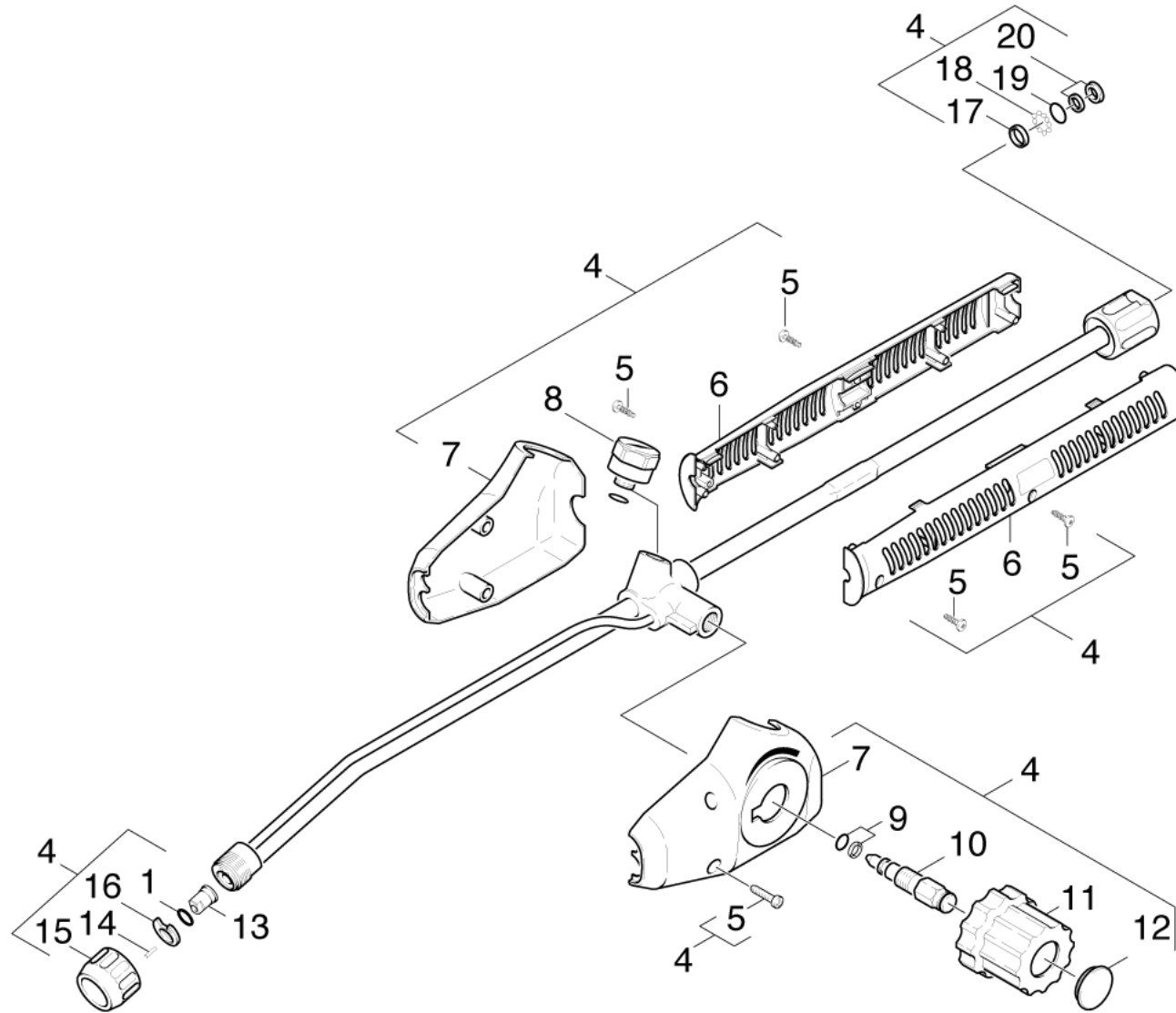


# 42 Jet pipe

Professional \ High pressure cleaner cold water \ Electric motor \ HD 640 S \*EU \ Spare parts list HD 640 S \ Accessories \ Jet pipe



## 42 Jet pipe

Professional \ High pressure cleaner cold water \ Electric motor \ HD 640 S \*EU \ Spare parts list HD 640 S \ Accessories \ Jet pipe



POS	Article no.	Description	Quantity	Unit
1	2.880-990.0	Spare part set O-Ring 5x -Kaercher	1.000	ST
4	4.760-362.0	Double jet pipe	1.000	ST
5	6.303-025.0	Oval head screw 4,2x16-St-vz	6.000	ST
6	5.321-150.0	HANDLE (PART NO=ONE HALF)	2.000	ST
7	5.394-273.0	Protection part pair	1.000	ST
8	6.421-143.0	Pressure gauge 0-250BAR	1.000	ST
9	6.363-037.0	O-Ring seal complete 1ST.-R.	1.000	ST
10	5.291-047.0	Spindle	1.000	ST
11	5.321-321.0	Handhold	1.000	ST
12	5.132-010.0	Plug	1.000	ST
13	2.883-803.0	Power nozzle only for replacement 25034	1.000	ST
	<b>Item text1:</b> / 1.095-121.0			
13	2.883-804.0	Power nozzle 25048	1.000	ST
	<b>Item text1:</b> / 1.095-801.0			
14	7.314-623.0	Straight grooved pin 2,5x6-CU2 ISO 8740	1.000	ST
15	5.401-153.0	Screw connector part	1.000	ST
16	5.000-825.0	Plate	1.000	ST
17	6.362-529.0	Joint ring 12x1,5	1.000	ST
18	7.401-921.0	Sphere 4 G20 -1.4034 DIN 5401	12.000	ST
19	6.362-524.0	O-Ring seal 17,0 X 1,5	1.000	ST
20	4.363-692.0	Grooved ring kpl. -nur fuer Ersatz-	1.000	ST