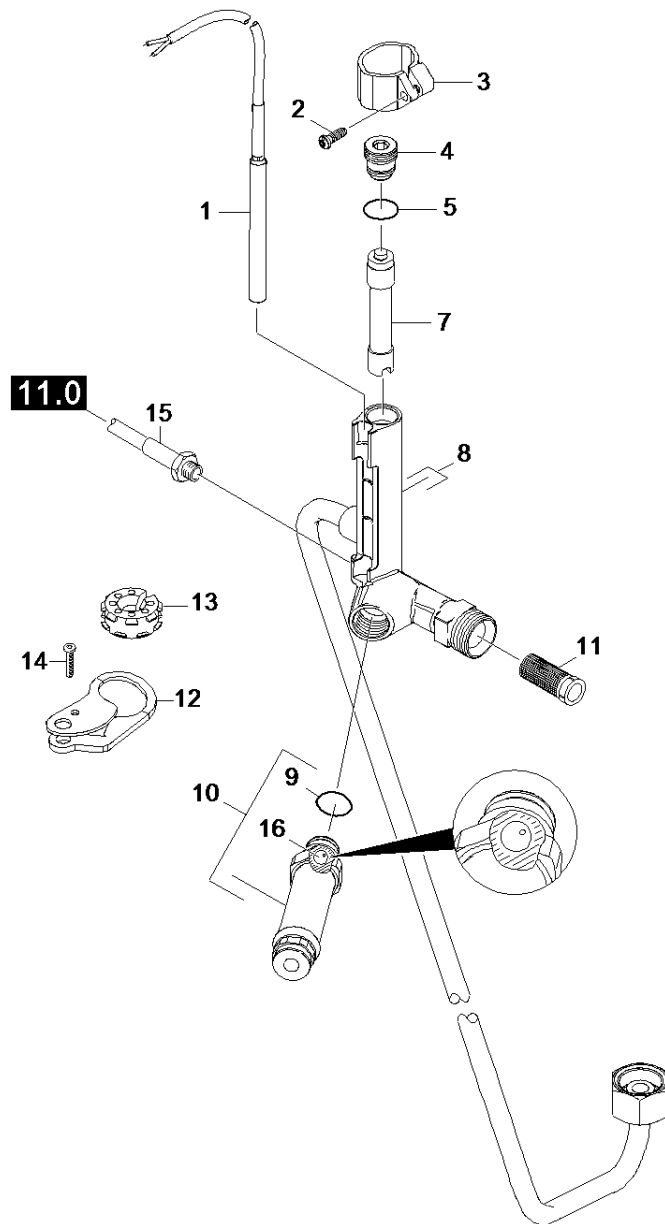


90 Safety system

Overview technical documents/Professional/High pressure cleaner hotwater/Electric motor/HDS 7/12-4 M *EU-I (1.077-410.0)/Spare parts list HDS 7/12-4M *EU/90 Safety system



90 Safety system

Overview technical documents/Professional/High pressure cleaner hotwater/Electric motor/HDS 7/12-4 M *EU-I (1.077-410.0)/Spare parts list HDS 7/12-4M *EU/90 Safety system

Rez.daļas/nodil.pakļ.daļas	Poz.	Materiāla Nr.	Nosaukums	Daudzums	Pārdoš. vienība
X-X	1	2.885-051.0	Reed switch	1.000	ST
	2	6.303-122.0	M4	1.000	ST
	3	5.041-076.0	Clamp	1.000	ST
	4	5.305-162.0	Formas skrūve	1.000	ST
	5	6.362-482.0	Gredzenblīve 10 x 1,5-NBR 70	1.000	ST
X-X	7	4.551-058.0	Cartridge protection from 4.553-303.0	1.000	ST
X-X	8	4.427-341.0	Manifold from 4.427-328.0	1.000	ST
	9	6.362-845.0	O-Ring seal 10,82x 1,78	1.000	ST
	10	4.580-710.0	Safety valve complete replacement	1.000	ST
X-X	11	6.414-566.0	Sieta filtrs WMS	1.000	ST
	12	5.378-150.0	Holder pipe	1.000	ST
	13	5.767-023.0	Rubber buffer	1.000	ST
	14	7.303-108.0	Skrūve 5x20 -10.9-R2R (In6Rd)	1.000	ST
X-X	15	6.389-811.0	Augstspiediena šļūtene	1.000	ST
	16	6.401-429.0	Sphere polyamide 8mm	1.000	ST