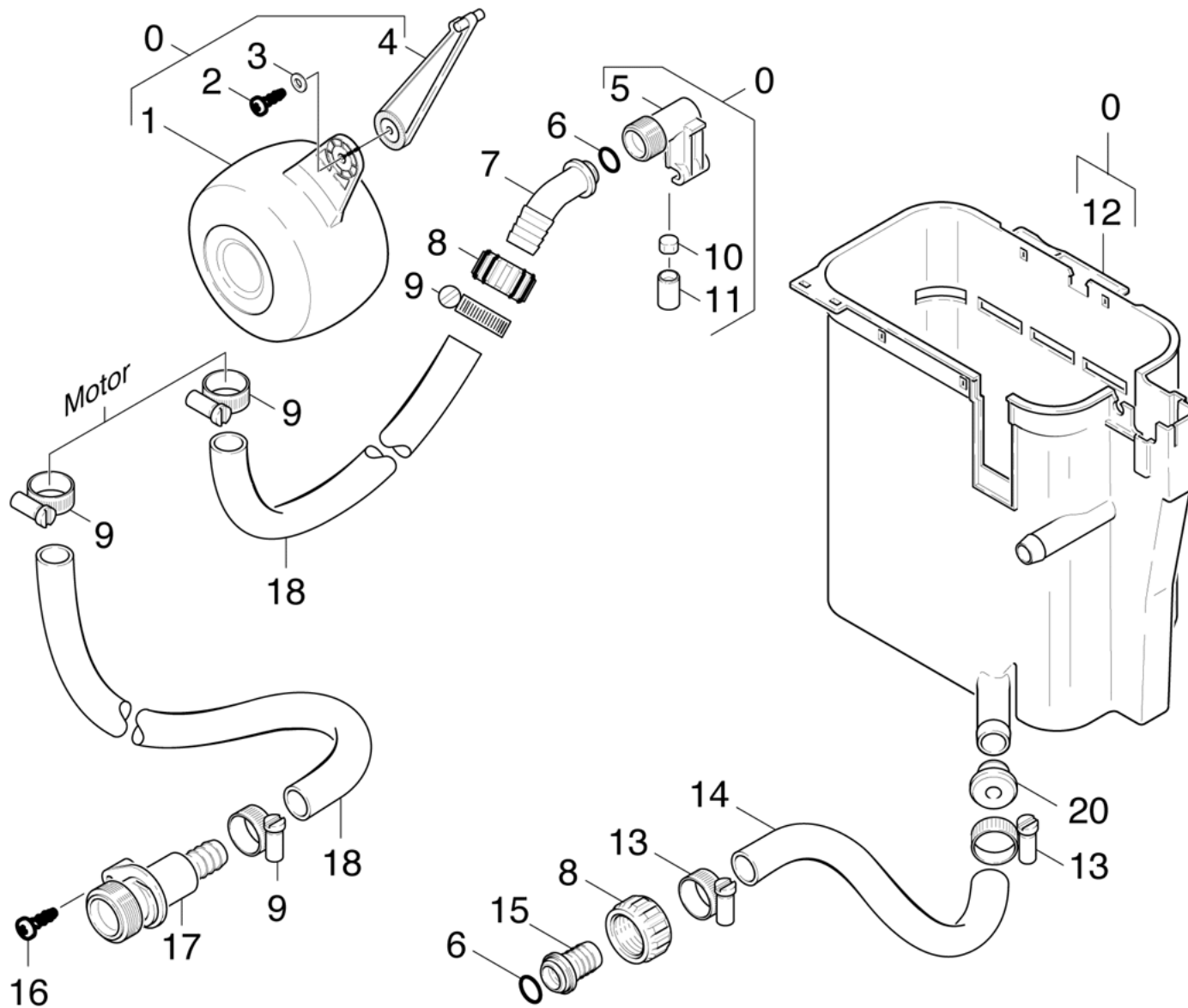


# 81 Float chest

Professional \ High pressure cleaner hotwater \ Electric motor \ HDS 695 \*EU \ Spare parts list HDS 695 \ Float chest \ Float chest



## 81 Float chest

Professional \ High pressure cleaner hotwater \ Electric motor \ HDS 695 \*EU \ Spare parts list HDS 695 \ Float chest \ Float chest

**KÄRCHER**

POS	Article no.	Description	Quantity	Unit	Foot note text
0	3.593-082.0	Float valve	1	PC	
12	5.070-140.0	Tank	1	PC	
20	5.112-189.0	Bush	1	PC	
8	5.310-062.0	Nut	2	PC	
10	5.364-095.0	Flat gasket	1	PC	
17	5.427-154.0	Manifold	1	PC	
7	5.443-285.0	Hose stem	1	PC	
15	5.443-312.0	Hose stem	1	PC	
4	5.481-118.0	Lever	1	PC	
11	5.584-085.0	Valve pin	1	PC	
1	5.585-004.0	Float	1	PC	
5	5.587-147.0	Valve housing	1	PC	
16	6.303-174.0	Screw 6,0X20-ST-A2R	1	PC	
6	6.362-078.0	O-Ring seal 13,3x2,4	2	PC	
9	6.388-547.0	Hose clip	4	PC	
13	6.388-548.0	Hose clip	2	PC	
18	6.388-719.0	Hose DN17	1	m	TO ORDER AS CUT GOODS
14	6.389-556.0	Hose 19x4	1	PC	
2	7.303-104.0	Screw 5x16 -A2-70 (IN6RD)	1	PC	
3	7.312-282.0	Washer 5-A2 ISO 7093-1	1	PC	