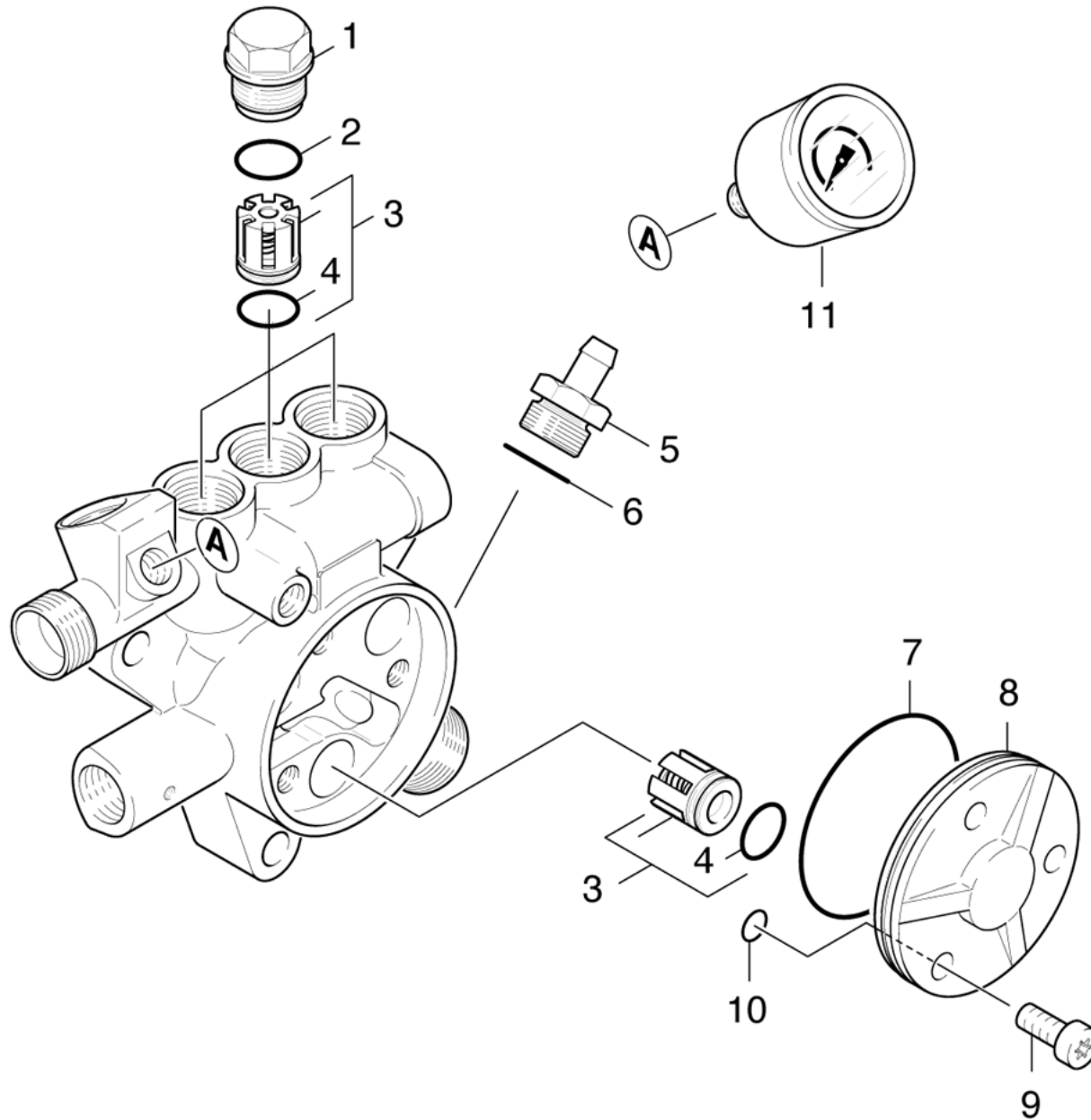


22 Valves

Professional \ High pressure cleaner hotwater \ Electric motor \ HDS 600 Cl *EU \ Spare parts list HDS 600 Cl \ Pump set \ Valves



22 Valves

Professional \ High pressure cleaner hotwater \ Electric motor \ HDS 600 CI *EU \ Spare parts list HDS 600 CI \ Pump set \ Valves



POS	Article no.	Description	Quantity	Unit
1	5.583-115.0	Valve screw	3.000	ST
2	6.362-160.0	O-Ring seal 17,3 X 2,4	3.000	ST
3	2.884-512.0	Valve (3 Stueck)	1.000	ST
4	6.362-381.0	O-Ring seal 13x2 - NBR 70	6.000	ST
5	4.580-114.0	Valve	1.000	ST
6	6.362-427.0	O-Ring seal 15,0x2,0	1.000	ST
7	6.363-616.0	O-Ring seal 60,0x2,0 -NBR70	1.000	ST
8	5.063-354.0	Cover	1.000	ST
9	7.306-041.0	Cylinder head screw M8x20 -8.8-A2E ISO	3.000	ST
10	6.362-384.0	O-Ring seal 9x1,5 - NBR 70	3.000	ST
11	6.421-214.0	Pressure gauge 0-300 BAR	1.000	ST
100	2.883-172.0	Pump set	1.000	ST