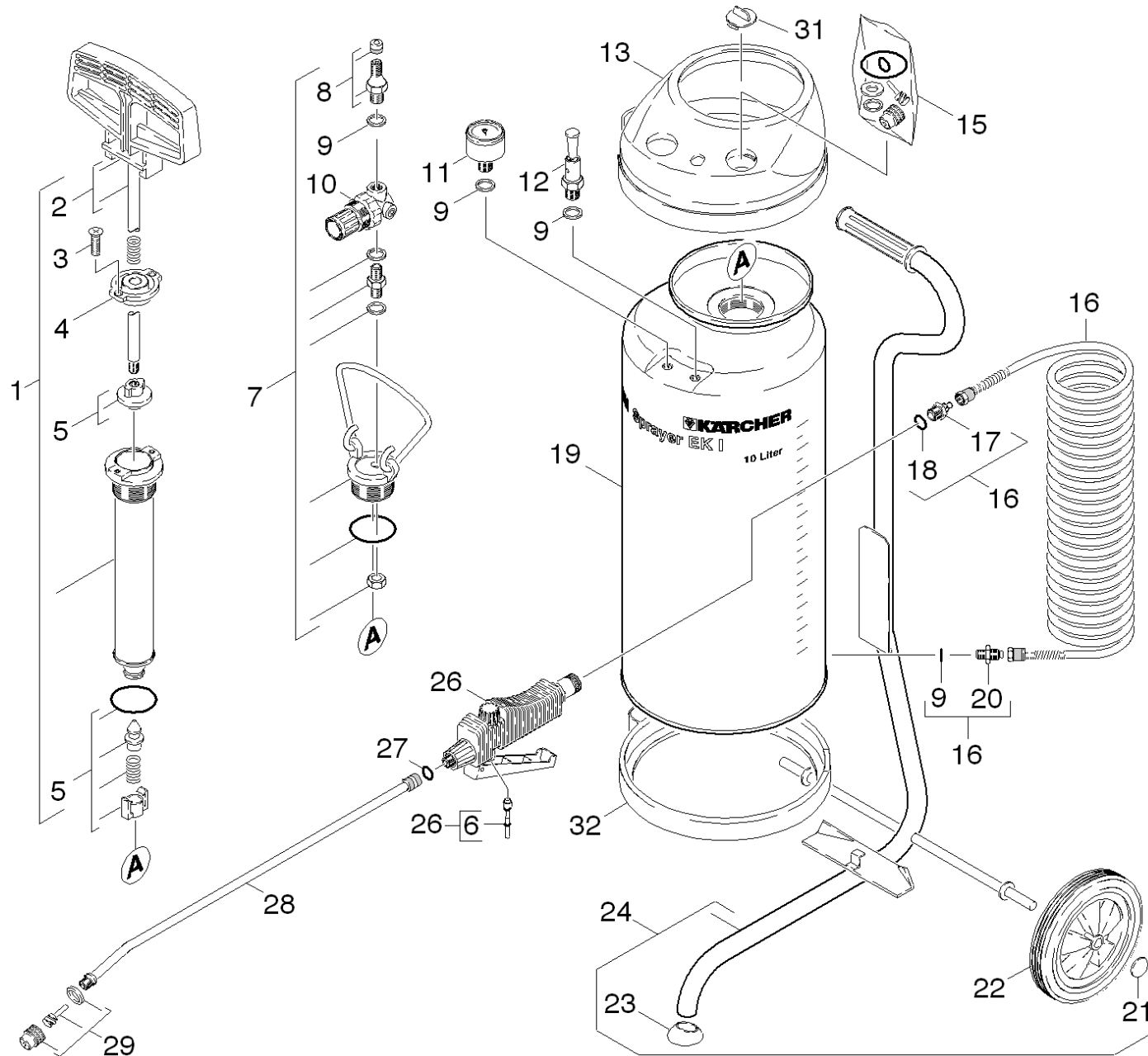


10 RM SPRAYER EK I

Professional \ Vacuum cleaner \ Accessories \ Diffuser detergent EK I \ Spare parts list RM SPRAYER EK I \ RM SPRAYER EK I



10 RM SPRAYER EK I

Professional \ Vacuum cleaner \ Accessories \ Diffuser detergent EK I \ Spare parts list RM SPRAYER EK I \ RM SPRAYER EK I



POS	Preces Nr.	Apraksts	Skaitis	Vieniba	Sērijas numurs no	Sērijas numurs līdz	Zemsvītras piezīme
1	6.393-213.0	Pump completely	1.000	ST	0000000000	0000000000	SPECIAL ACCESSORIES
2	6.393-214.0	Piston rod and handhold	1.000	ST	0000000000	0000000000	
3	7.305-016.0	Countersunk screw M4x8-ST-8.8-A2R (IN6R)	2.000	ST	0000000000	0000000000	
4	6.393-175.0	Plug guide	1.000	ST	0000000000	0000000000	
5	6.394-047.0	Pump set	1.000	ST	0000000000	0000000000	
6	6.393-231.0	Pressure bolt O-Ring seal	1.000	ST			
7	6.393-445.0	Filling valve	1.000	ST	0000000000	0000000000	
8	6.393-240.0	Valve tire R1/8"-CuZn	1.000	ST	0000000000	0000000000	
9	6.393-241.0	Seal 14x9,7x2	4.000	ST	0000000000	0000000000	
10	6.394-037.0	Pressure reducer	1.000	ST	0000000000	0000000000	
11	6.393-220.0	Pressure gauge with O-Ring seal	1.000	ST	0000000000	0000000000	
12	6.393-221.0	Safety valve	1.000	ST	0000000000	0000000000	
13	6.393-217.0	Covering	1.000	ST	0000000000	0000000000	
15	6.393-315.0	Spare part set	1.000	ST	0000000000	0000000000	
16	6.394-438.0	Spiral hose	1.000	ST	0000000000	0000000000	
17	6.393-227.0	Nipple R1/4Z	1.000	ST	0000000000	0000000000	
18	6.393-205.0	Joint ring -18x13x2	1.000	ST	0000000000	0000000000	
19		Stockpiling discontinued	1.000	ST	0000000000	0000000000	
20	6.393-226.0	Nipple M10	1.000	ST	0000000000	0000000000	
21	6.393-310.0	Cap	2.000	ST	0000000000	0000000000	
22	6.393-309.0	Wheel	2.000	ST	0000000000	0000000000	
23	6.393-311.0	Protecting cap	1.000	ST	0000000000	0000000000	
24	6.393-308.0	Transport carriage	1.000	ST	0000000000	0000000000	
26	6.393-314.0	Stop valve complete	1.000	ST	0000000000	0000000000	
27	6.394-038.0	O-ring seal 10,0x3,0 - VITON	1.000	ST	0000000000	0000000000	
28	6.393-194.0	Tube pistol curved	1.000	ST	0000000000	0000000000	
29	6.394-046.0	Nozzle complete	1.000	ST	0000000000	0000000000	
31		Stockpiling discontinued	1.000	ST	0000000000	0000000000	
32		Stockpiling discontinued	1.000	ST	0000000000	0000000000	