

Spare parts list

(1.180-630.0) K 4.650 Jubilee Alu *EU

Table of contents

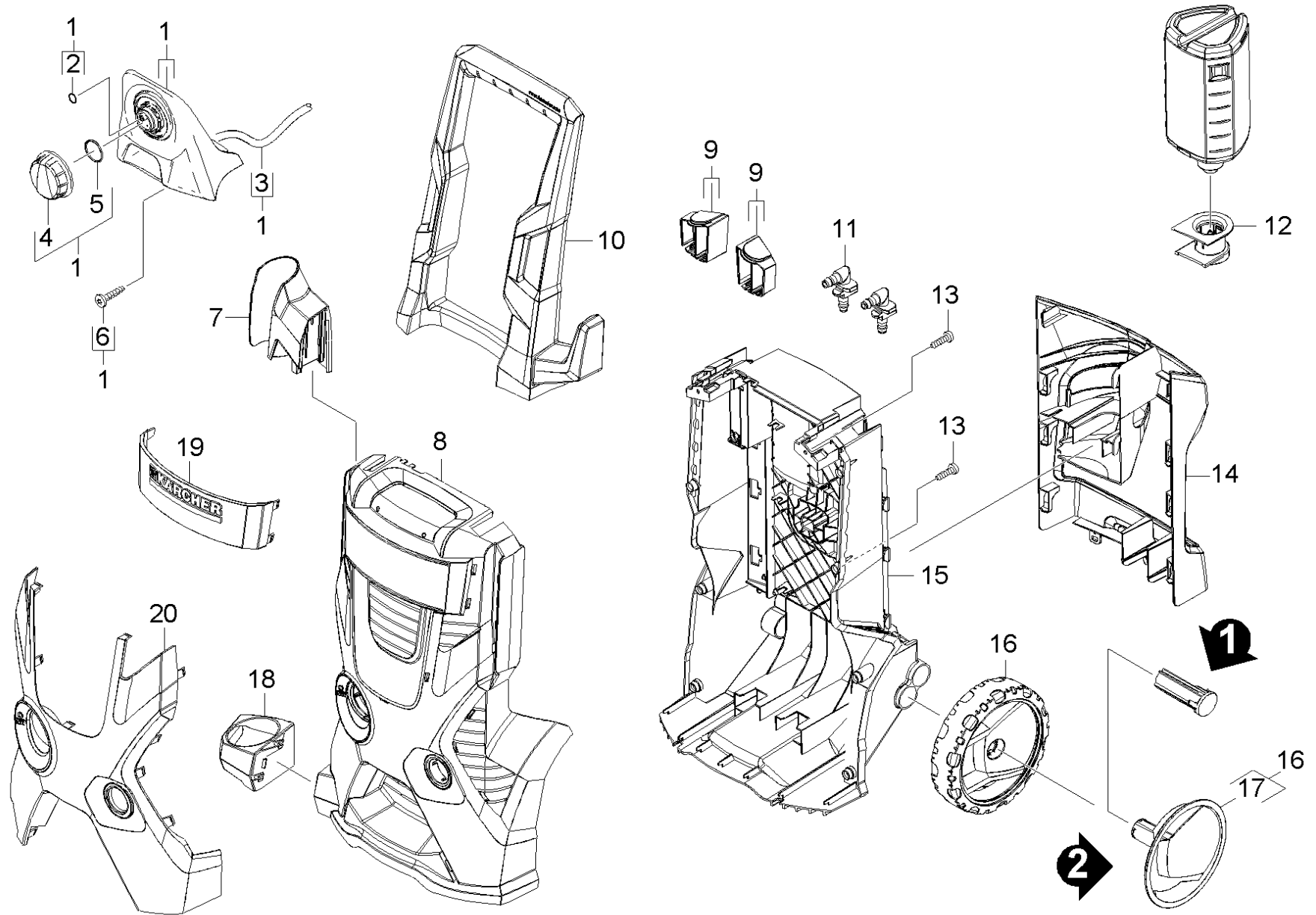
K 4.650 Jubilee Alu *EU (1.180-630.0)	3
201 Spare parts list K4.650 Jubilee*EU ALU (5.971-377.0)	4
10 Housing	5
1 Spare parts set hook hose (2.885-283.0)	7
20 Pump set	9
21 Housing	10
13 Spare part set control head (9.001-800.0)	12
70 Nozzle insert (4.769-035.0)	14
15 Pump head Alu FC ric (9.002-456.0)	16
23 Nozzle insert (4.769-035.0)	18
22 Thrust guidance	20
30 Motor	22
7 Covering cap motor complete (9.001-918.0)	24
40 Accessories	26
41 Hand trigger gun	27
G 180 Q Trigger gun Quick Connect (2.642-889.0)	29
2 H 9 Q high pressure hose Quick Connect (2.641-721.0)	31
42 Jet pipe	33
3 Dirt blaster 031 St - CEM 14,5MPa (4.764-281.0)	35
6 SH 3 suction hose Basic Line (2.643-101.0)	37
43 Water filter	39
1 Water filter (4.730-059.0)	41
1 Water filter complete (4.730-159.0)	42
50 Electric box	44

K 4.650 Jubilee Alu *EU (1.180-630.0)

POS	Article no.	Description	Quantity	Unit
201	5.971-377.0	Spare parts list K4.650 Jubilee*EU ALU	1.000	ST

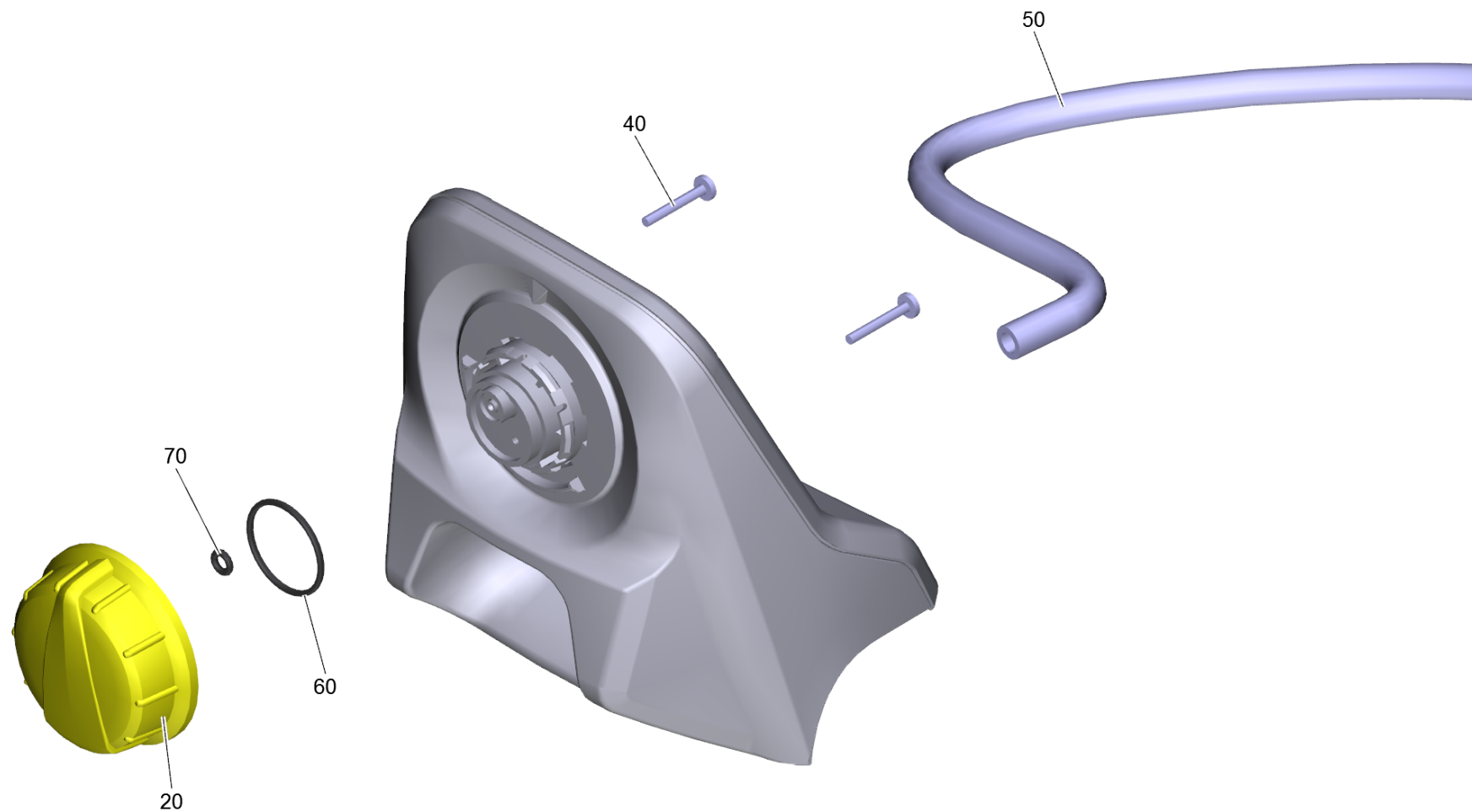
201 Spare parts list K4.650 Jubilee*EU ALU (5.971-377.0)

POS	Description	Quantity	Unit
10	Housing	1.000	ST
20	Pump set	1.000	ST
30	Motor	1.000	ST
40	Accessories	1.000	ST
50	Electric box	1.000	ST



10 Housing

POS	Article no.	Description	Quantity	Unit	Foot note text
1	2.885-283.0	Spare parts set hook hose	1.000	ST	
2	6.363-018.0	O-Ring seal 4X2	1.000	ST	
3	6.390-426.0	Hose DN 5	1.000	M	ALS METERWARE BESTELLEN
4	9.037-621.0	Handhold chemistry	1.000	ST	
5	6.362-522.0	O-Ring seal 24,0 X 2,0	1.000	ST	
6	9.086-203.0	Screw 4x22	4.000	ST	
7	9.037-618.0	Holder pistol above	1.000	ST	
8	9.038-016.0	Cover	1.000	ST	
9	9.001-743.0	Set covering cap	1.000	ST	
10	9.037-625.0	Handhold Compact	1.000	ST	
11	9.037-861.0	Nipple 90° Mod.Range	2.000	ST	
12	9.012-681.0	RM retainer station	1.000	ST	
13	9.086-221.0	Screw ATF 4.1x22	8.000	ST	
14	9.038-023.0	Holder accessories EU-USA	1.000	ST	
15	9.037-871.0	Housing rear WCM Modular	1.000	ST	
16	4.515-325.0	Wheel set replacement 200 HUMMER	1.000	ST	SATZ MIT 2 STUECK
17	4.515-292.0	Screen for replacement 200 Hummer SF	1.000	ST	SATZ MIT 2 STUECK
18	9.037-619.0	Holder pistol bottom	1.000	ST	
19	9.001-766.0	Covering cap complete silver	1.000	ST	
20	9.037-630.0	Cover yellow X -TOP	1.000	ST	

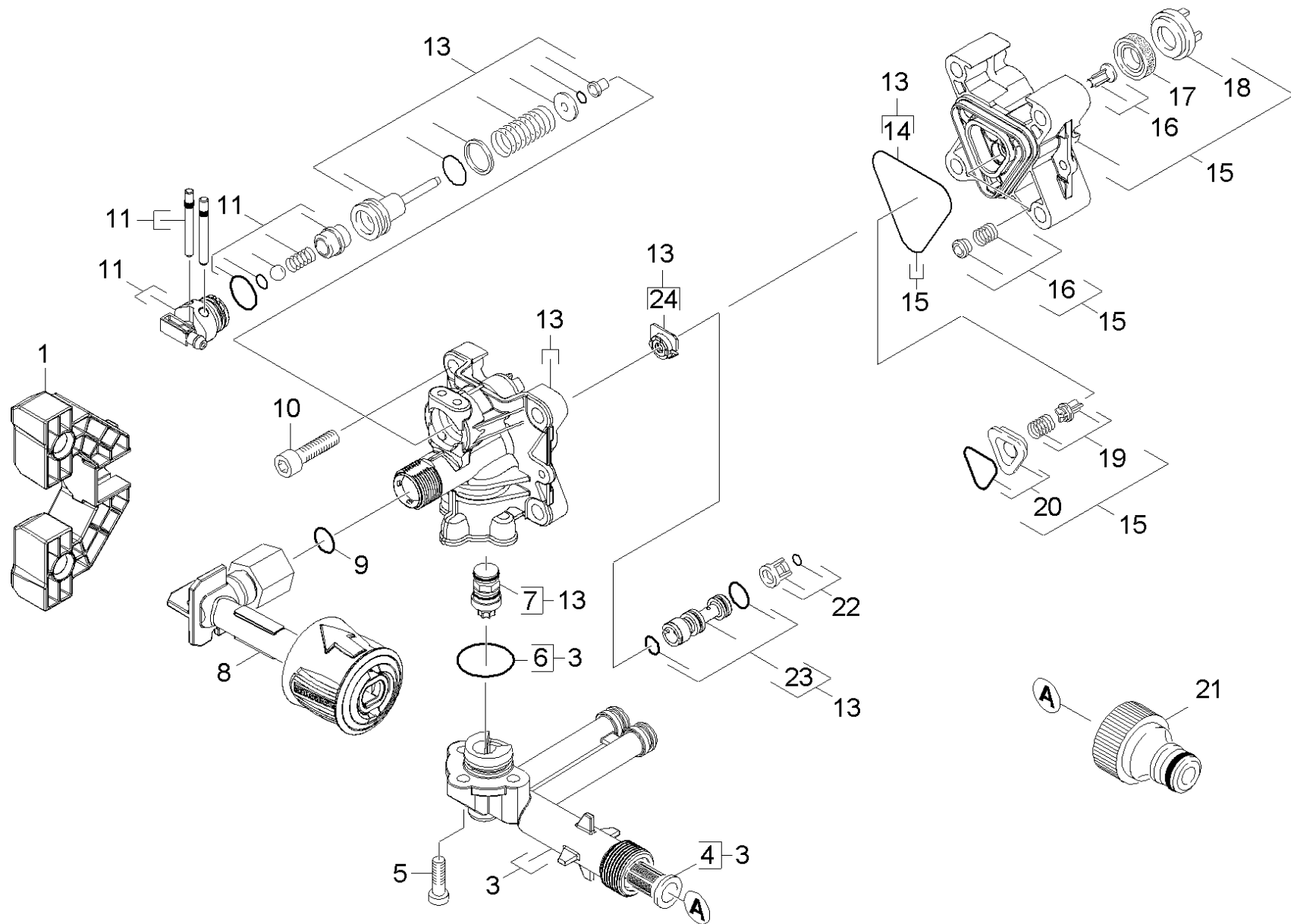


1 Spare parts set hook hose (2.885-283.0)

POS	Article no.	Description	Quantity	Unit
20	9.037-621.0	Handhold chemistry	1.000	ST
40	9.086-203.0	Screw 4x22	2.000	ST
50	6.390-426.0	Hose DN 5	1.000	M
60	6.362-522.0	O-Ring seal 24,0 X 2,0	1.000	ST
70	6.363-018.0	O-Ring seal 4X2	1.000	ST

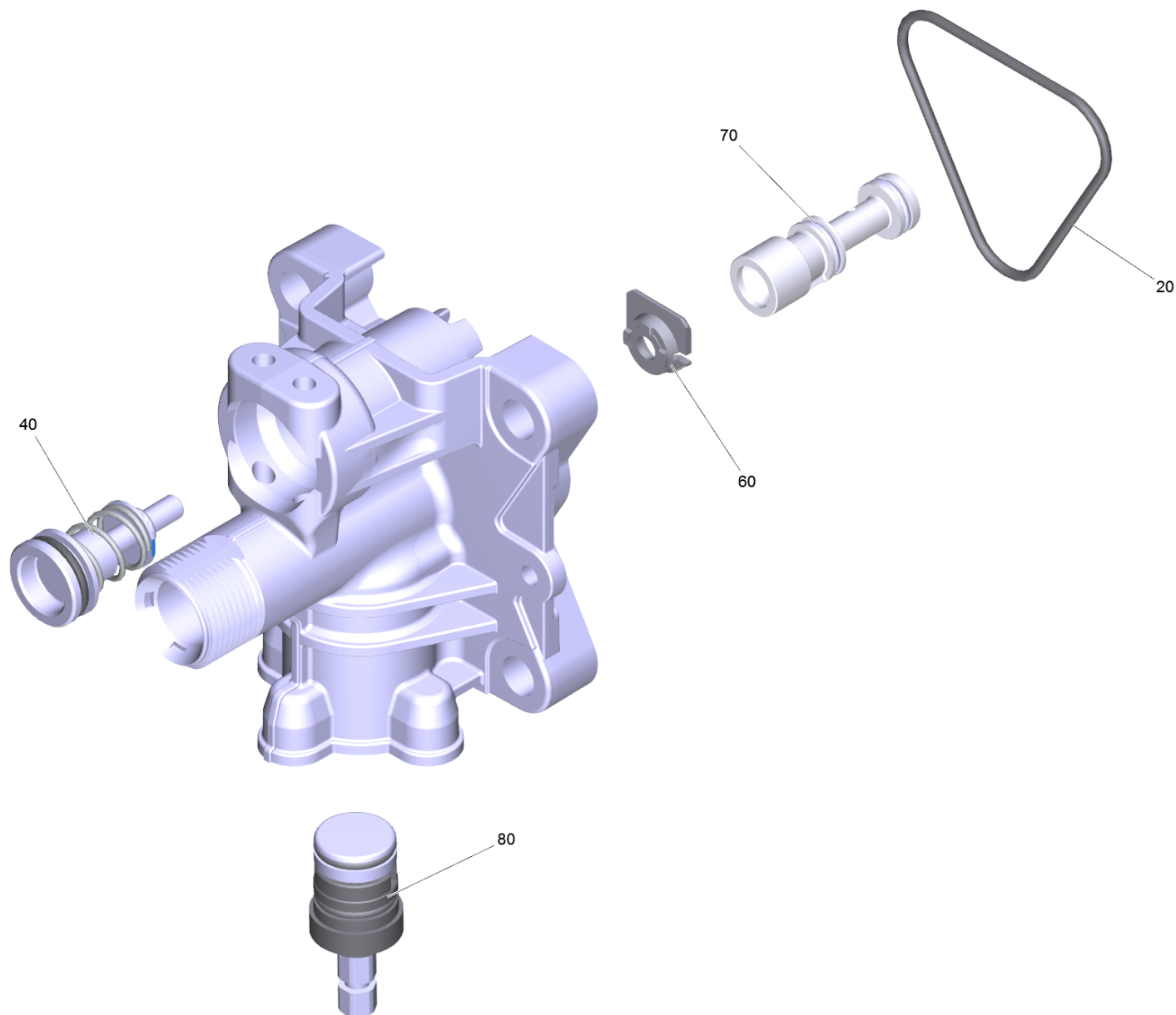
20 Pump set

POS	Description	Quantity	Unit
21	Housing	1.000	ST
22	Thrust guidance	1.000	ST



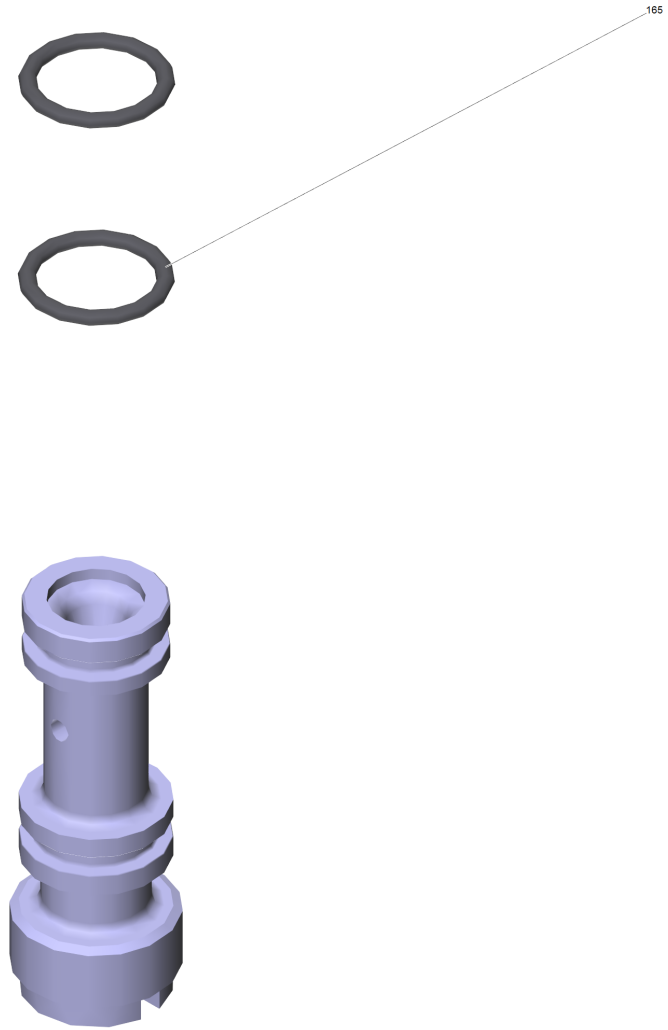
21 Housing

POS	Article no.	Description	Quantity	Unit
1	9.037-673.0	Bracket pump (bridge)	1.000	ST
3	9.001-745.0	Connection complete	1.000	ST
4	5.731-598.0	Fine filter long	1.000	ST
5	9.086-199.0	Screw M6x16	3.000	ST
6	9.081-417.0	O-Ring d.20 x 2	1.000	ST
7	9.002-164.0	plastic by pass (spare)	1.000	ST
8	9.002-412.0	outlet fitting K5 Al (spare)	1.000	ST
9	6.362-151.0	O-Ring d. 10 x 2 NBR 70	1.000	ST
10	7.306-151.0	Cylinder head screw M8x65 -8.8-A2E ISO4	4.000	ST
11	9.001-277.0	Spare parts set chemistry	1.000	ST
13	9.001-800.0	Spare part set control head	1.000	ST
14	9.081-424.0	Form seal	1.000	ST
15	9.002-456.0	Pump head Alu FC ric	1.000	ST
16	9.001-110.0	Moulded part complete	1.000	ST
17	6.362-875.0	Grooved ring	3.000	ST
18	9.038-428.0	Supportring 6,7 mm	3.000	ST
	Item text1: 1.180-583.0/-630.0/-631.0			
18	9.038-428.0	Supportring 6,7 mm	3.000	ST
	Item text1: all other machines			
19	9.001-275.0	Valve set	1.000	ST
20	9.001-276.0	Joining piece	1.000	ST
21	6.465-031.0	Connection 3/4	1.000	ST
22	9.001-819.0	Cage complete	1.000	ST
23	4.769-035.0	Nozzle insert	1.000	ST
24	9.037-142.0	Distance holder	1.000	ST



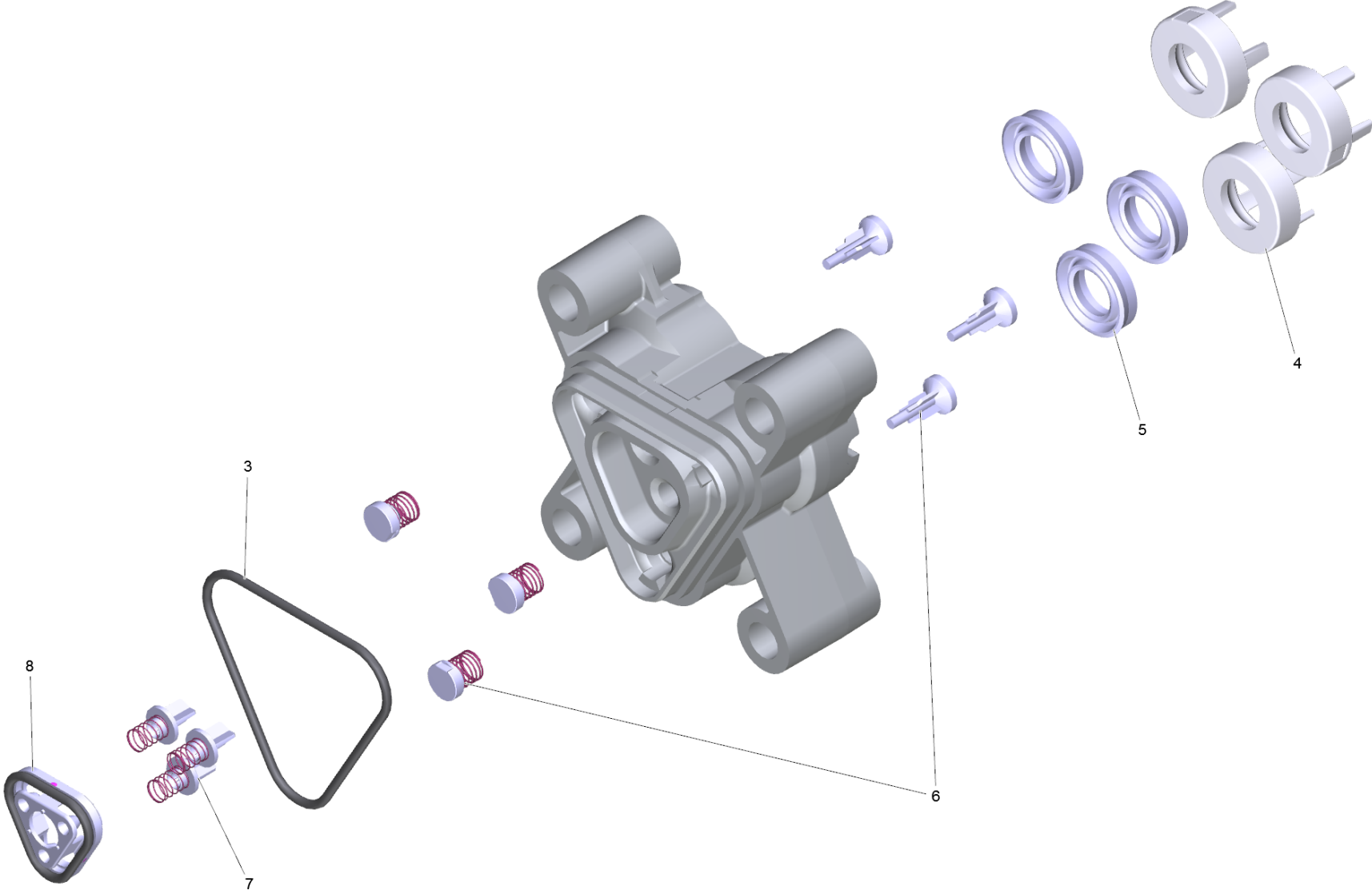
13 Spare part set control head (9.001-800.0)

POS	Article no.	Description	Quantity	Unit
20	9.081-424.0	Form seal	1.000	ST
40	9.001-291.0	Control piston set replacement	1.000	ST
60	9.037-142.0	Distance holder	1.000	ST
70	4.769-035.0	Nozzle insert	1.000	ST
80	9.002-164.0	plastic by pass (spare)	1.000	ST



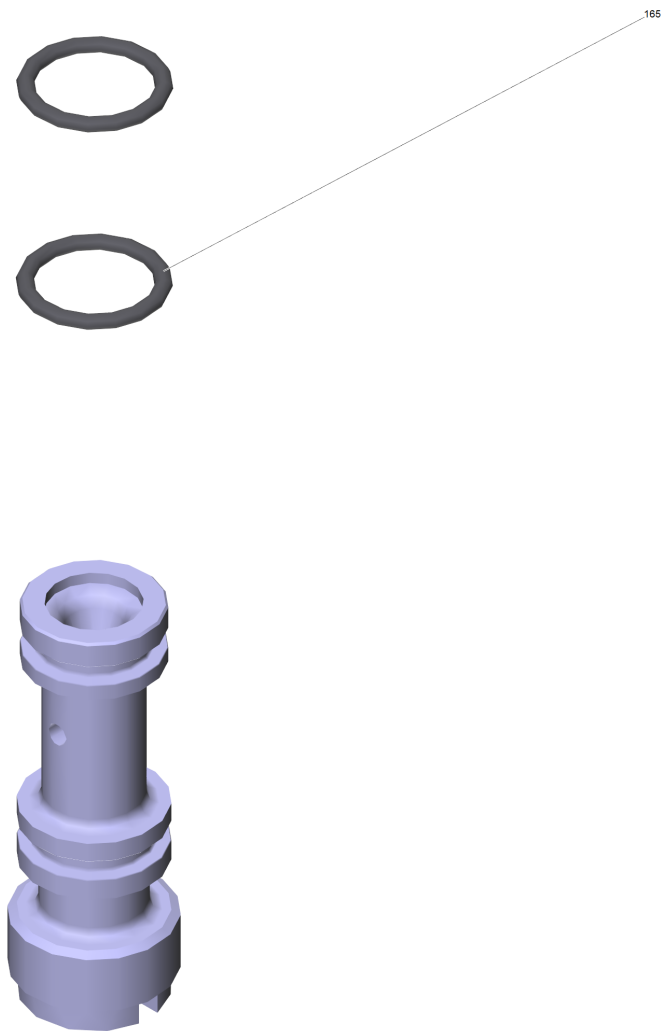
70 Nozzle insert (4.769-035.0)

POS	Article no.	Description	Quantity	Unit
165	6.362-384.0	O-Ring seal 9x1,5 - NBR 70	2.000	ST



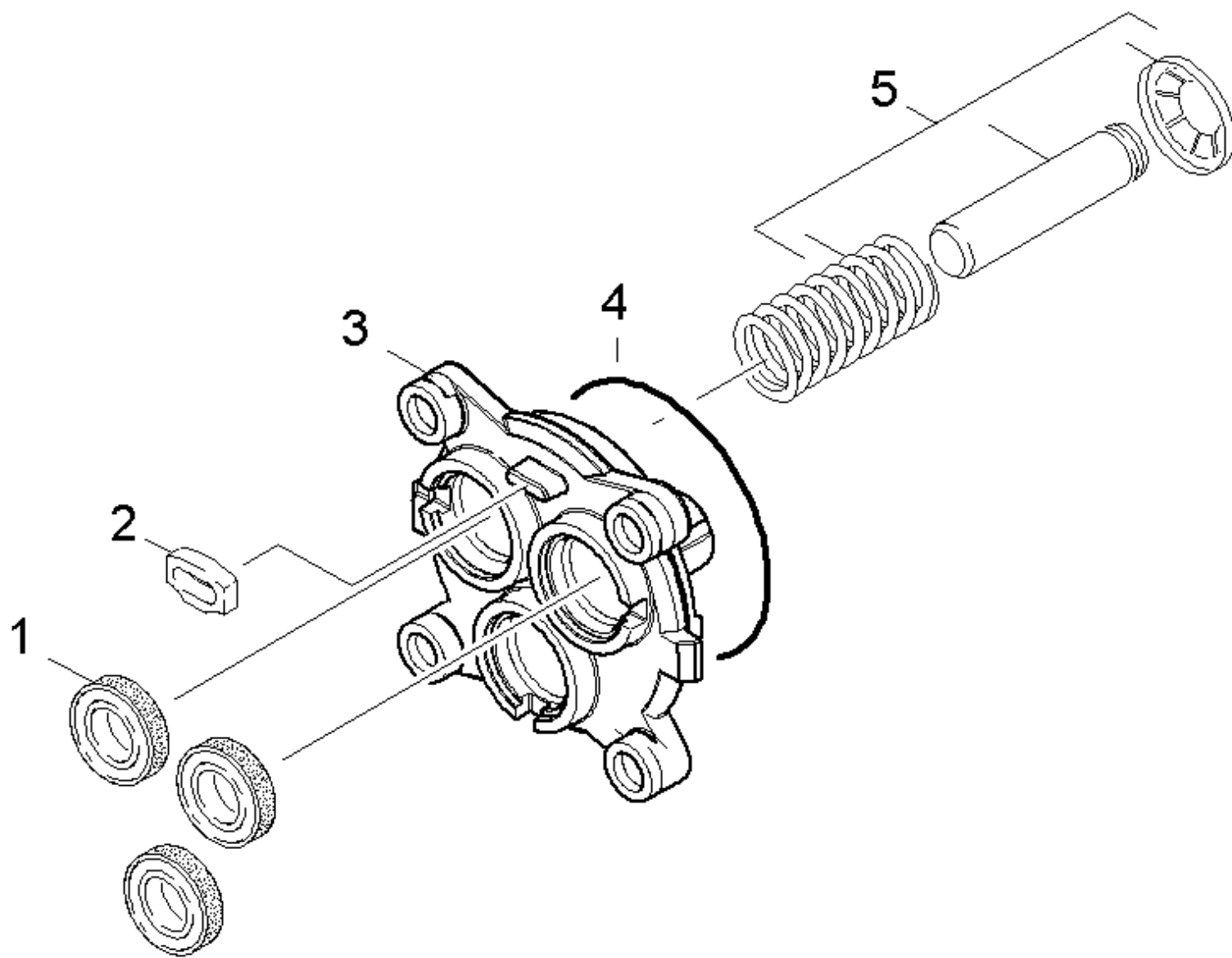
15 Pump head Alu FC ric (9.002-456.0)

POS	Article no.	Description	Quantity	Unit
3	9.081-424.0	Form seal	1.000	ST
4	9.038-428.0	Supportring 6,7 mm	3.000	ST
5	6.362-875.0	Grooved ring	3.000	ST
6	9.001-110.0	Moulded part complete	1.000	ST
7	9.001-275.0	Valve set	1.000	ST
8	9.001-276.0	Joining piece	1.000	ST



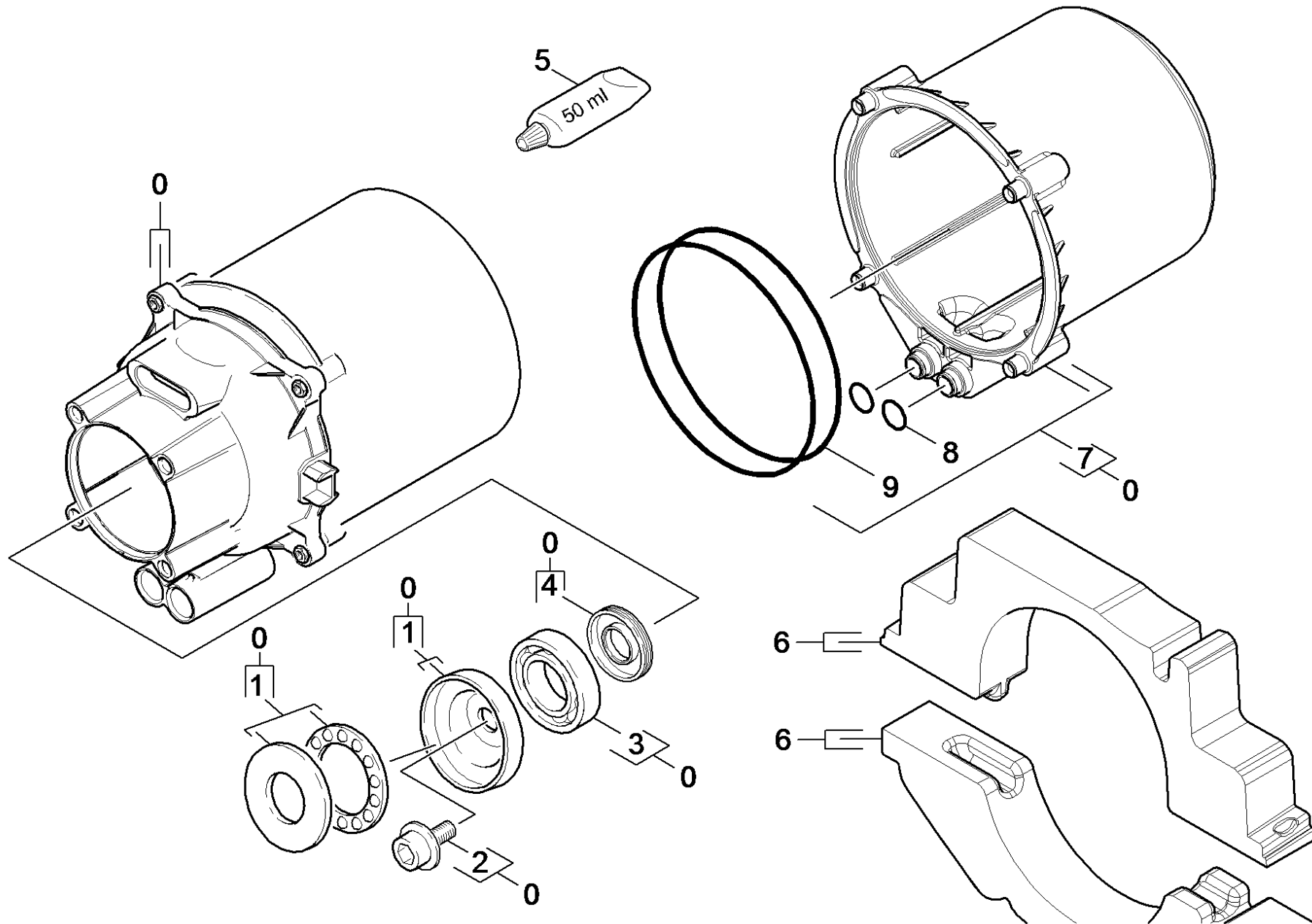
23 Nozzle insert (4.769-035.0)

POS	Article no.	Description	Quantity	Unit
165	6.362-384.0	O-Ring seal 9x1,5 - NBR 70	2.000	ST



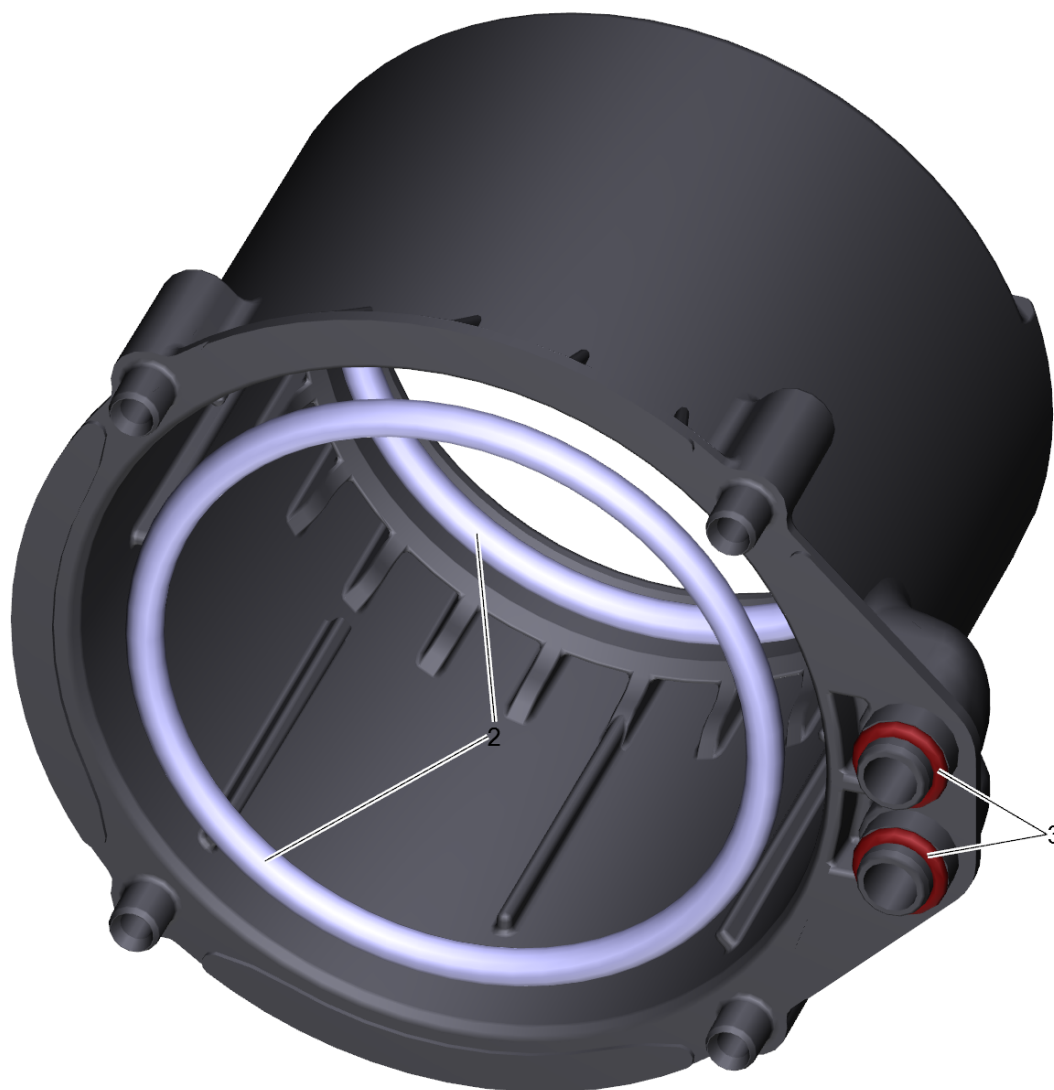
22 Thrust guidance

POS	Article no.	Description	Quantity	Unit
1	6.964-026.0	Grooved ring	3.000	ST
2	9.048-071.0	Spacer - Seal	1.000	ST
3	9.042-151.0	Pistons guide pump K5 FC machined	1.000	ST
4	9.080-426.0	O-Ring seal 62x3 NBR 70Shore	1.000	ST
5	9.001-927.0	Piston complete	3.000	ST



30 Motor

POS	Article no.	Description	Quantity	Unit
0	9.001-891.0	Motor replacement 9012-8140	1.000	ST
1	9.001-289.0	Wobble plate	1.000	ST
2	9.086-205.0	Screw	1.000	ST
3	7.401-010.0	Ball bearing 6303 -St DIN 625	1.000	ST
4	9.078-007.0	Rotary shaft seal 17x35x5	1.000	ST
5	6.964-092.0	Viscous oil 50ml	1.000	ST
6	9.001-799.0	Web PS	1.000	ST
7	9.001-918.0	Covering cap motor complete	1.000	ST
8	9.080-455.0	Seal 10x2,8	2.000	ST
9	9.080-453.0	O-Ring seal 95x6	2.000	ST

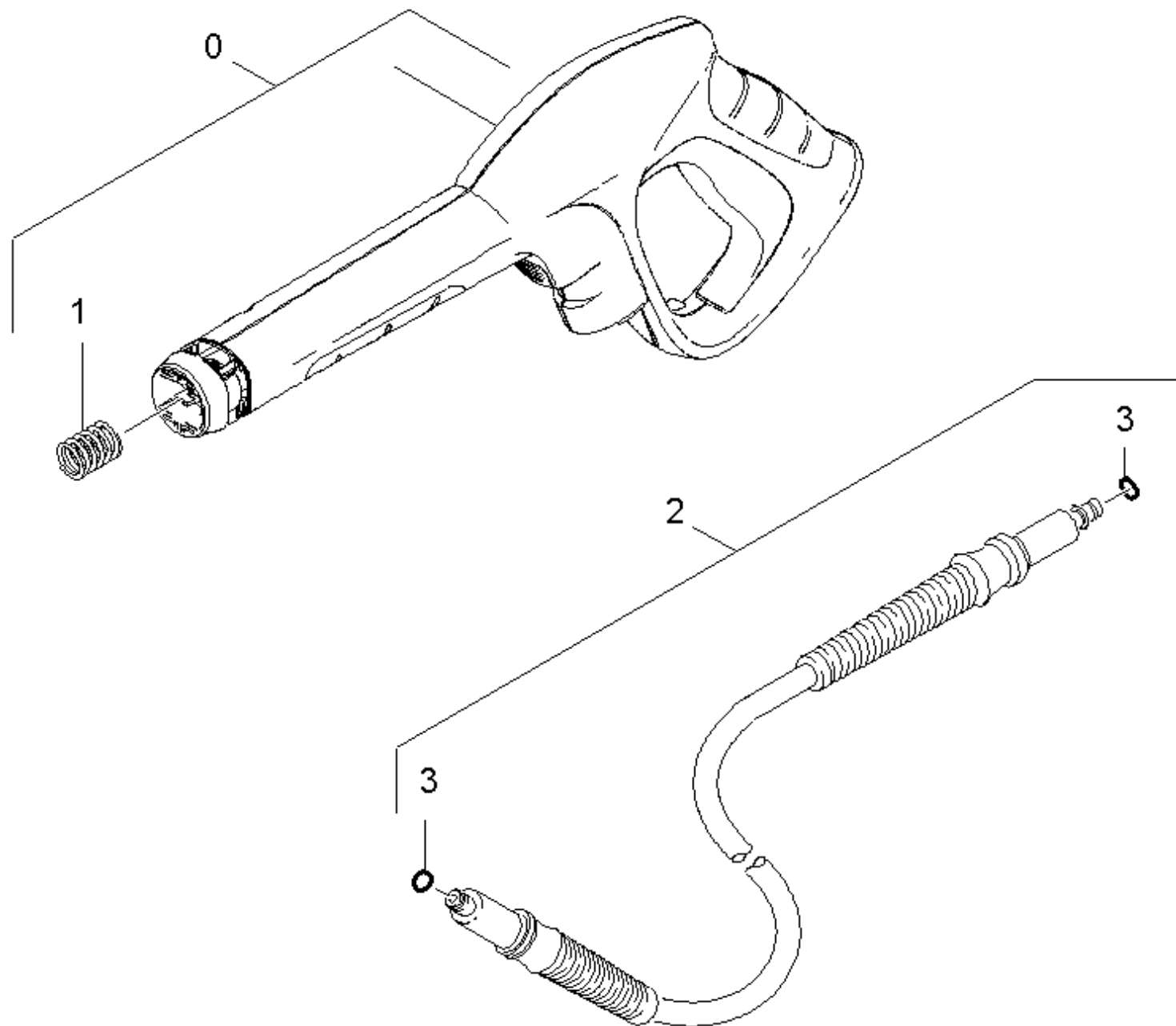


7 Covering cap motor complete (9.001-918.0)

POS	Article no.	Description	Quantity	Unit
2	9.080-453.0	O-Ring seal 95x6	2.000	ST
3	9.080-455.0	Seal 10x2,8	2.000	ST

40 Accessories

POS	Description	Quantity	Unit
41	Hand trigger gun	1.000	ST
42	Jet pipe	1.000	ST
43	Water filter	1.000	ST



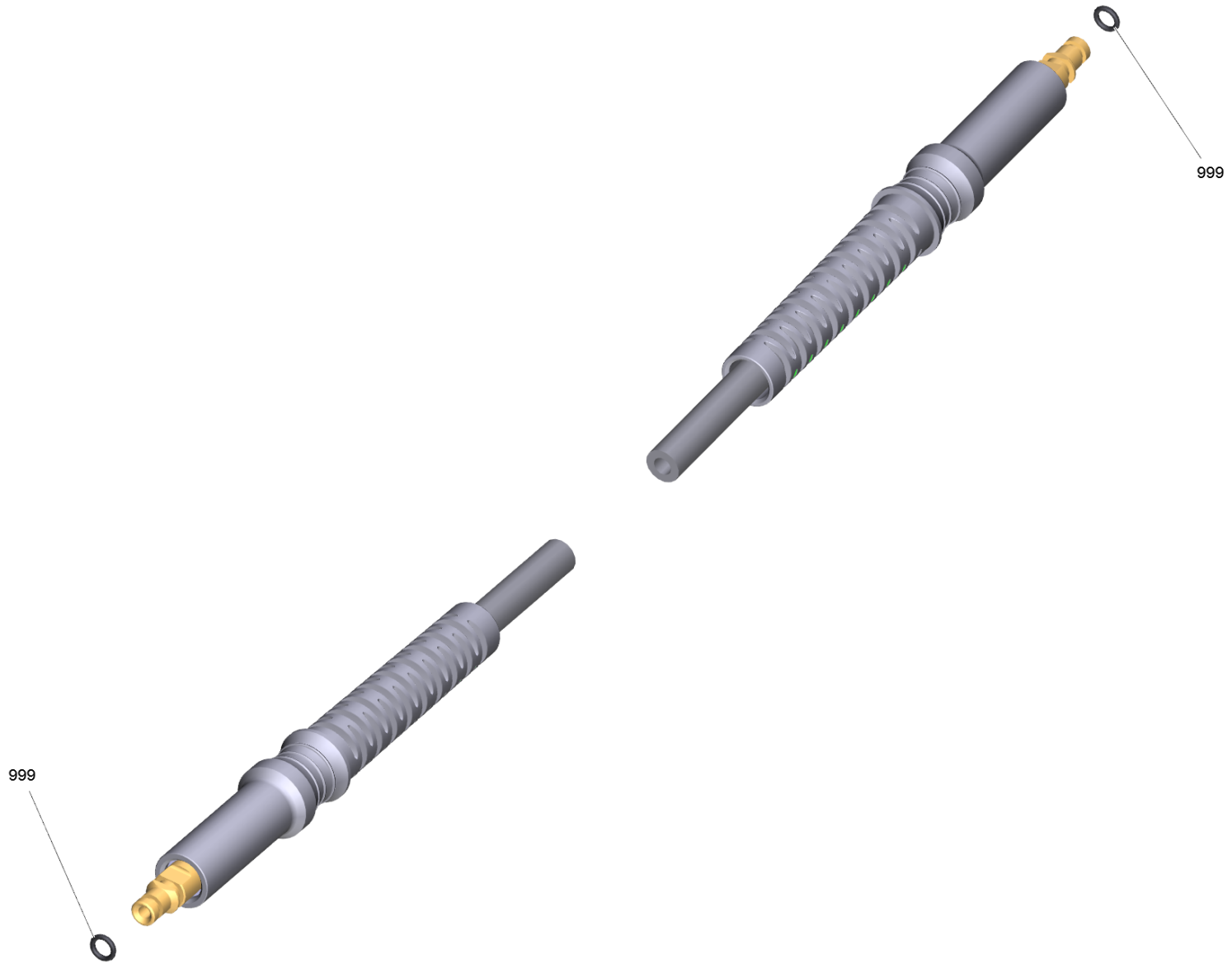
41 Hand trigger gun

POS	Article no.	Description	Quantity	Unit
0	2.642-889.0	G 180 Q Trigger gun Quick Connect	1.000	ST
1	5.332-464.0	Pressure spring	1.000	ST
2	2.641-721.0	H 9 Q high pressure hose Quick Connect	1.000	ST
3	6.363-410.0	O-Ring seal 5,7x1,78 NBR 90Shore	2.000	ST



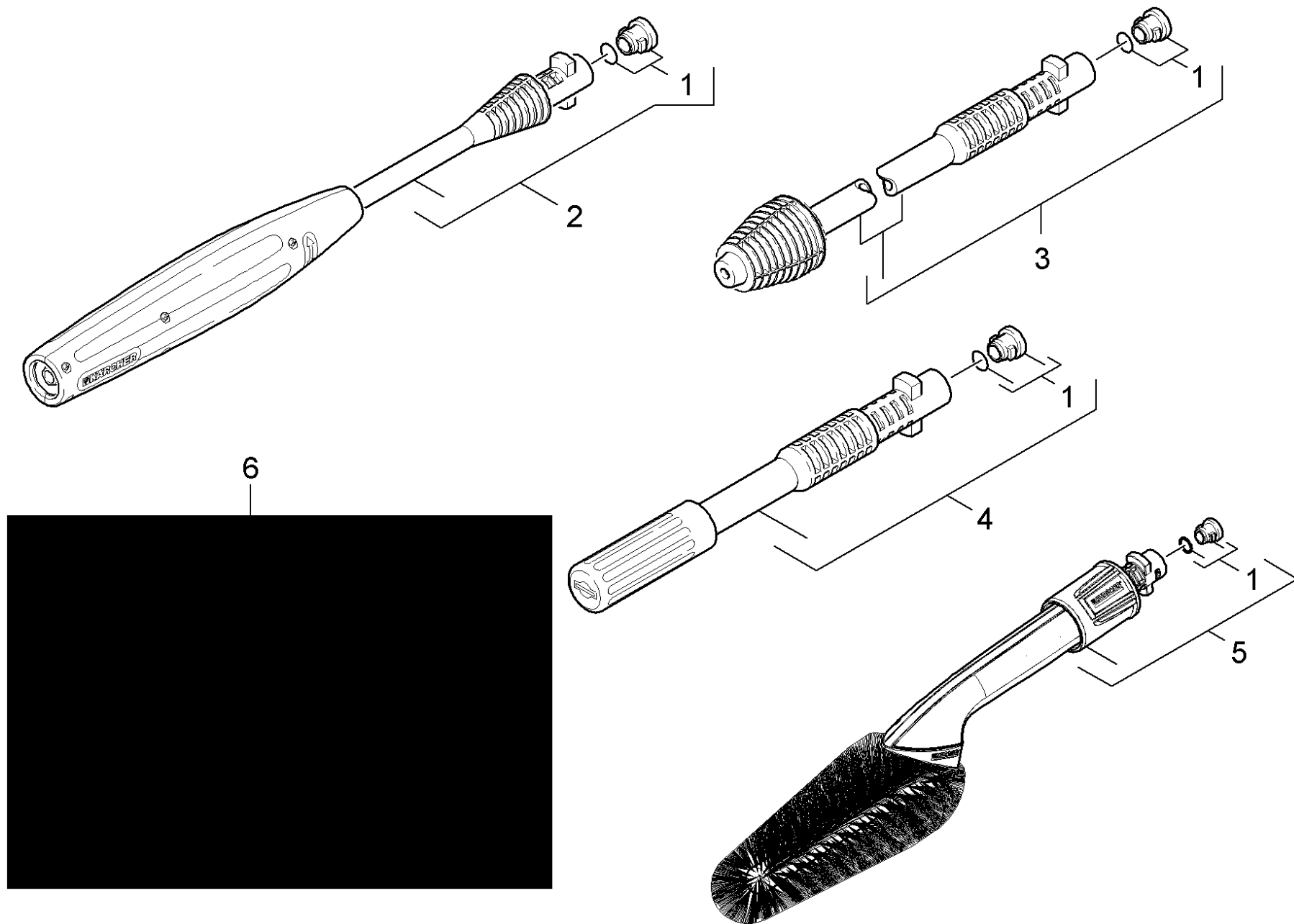
G 180 Q Trigger gun Quick Connect (2.642-889.0)

POS	Article no.	Description	Quantity	Unit
1	5.332-464.0	Pressure spring	1.000	ST



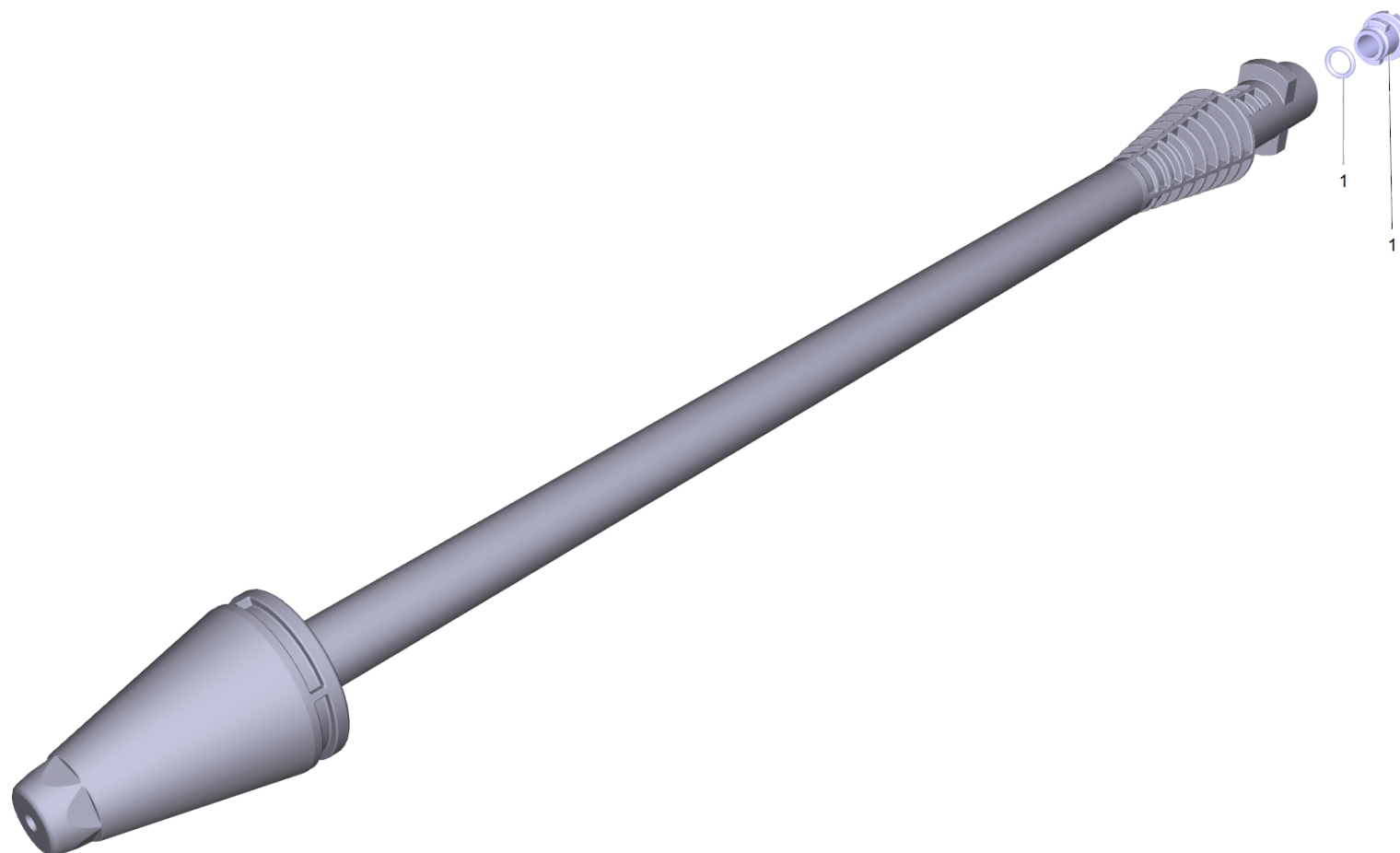
2 H 9 Q high pressure hose Quick Connect (2.641-721.0)

POS	Article no.	Description	Quantity	Unit
999	2.640-729.0	O-Ring seal set	1.000	ST



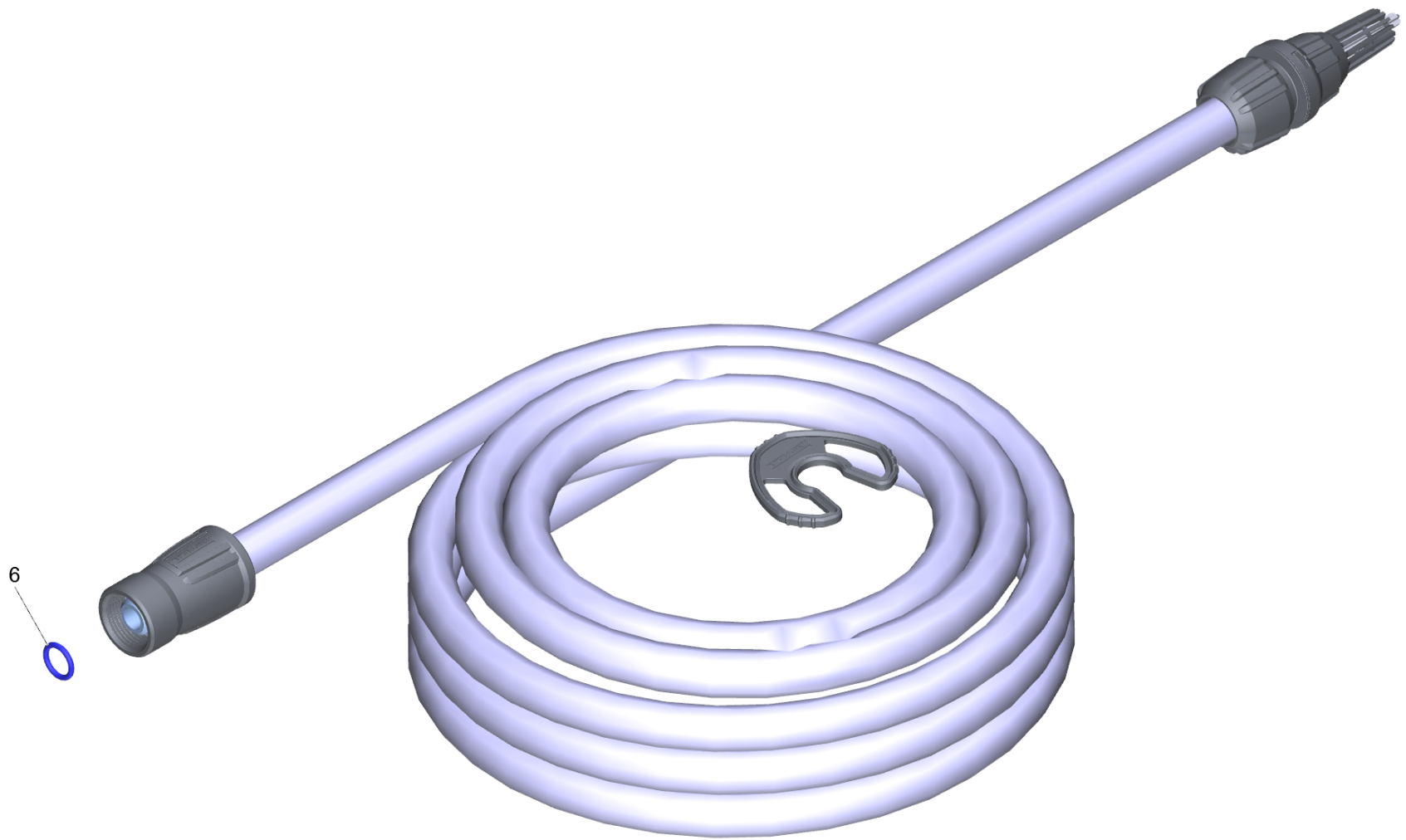
42 Jet pipe

POS	Article no.	Description	Quantity	Unit
1	2.640-729.0	O-Ring seal set	1.000	ST
2	4.760-534.0	VPS K3 0287 K	1.000	ST
3	4.764-281.0	Dirt blaster 031 St - CEM 14,5MPa	1.000	ST
4	4.760-567.0	Jet pipe M.D.050	1.000	ST
5	2.640-699.0	Brush cylindrical	1.000	ST
6	2.643-101.0	SH 3 suction hose Basic Line	1.000	ST



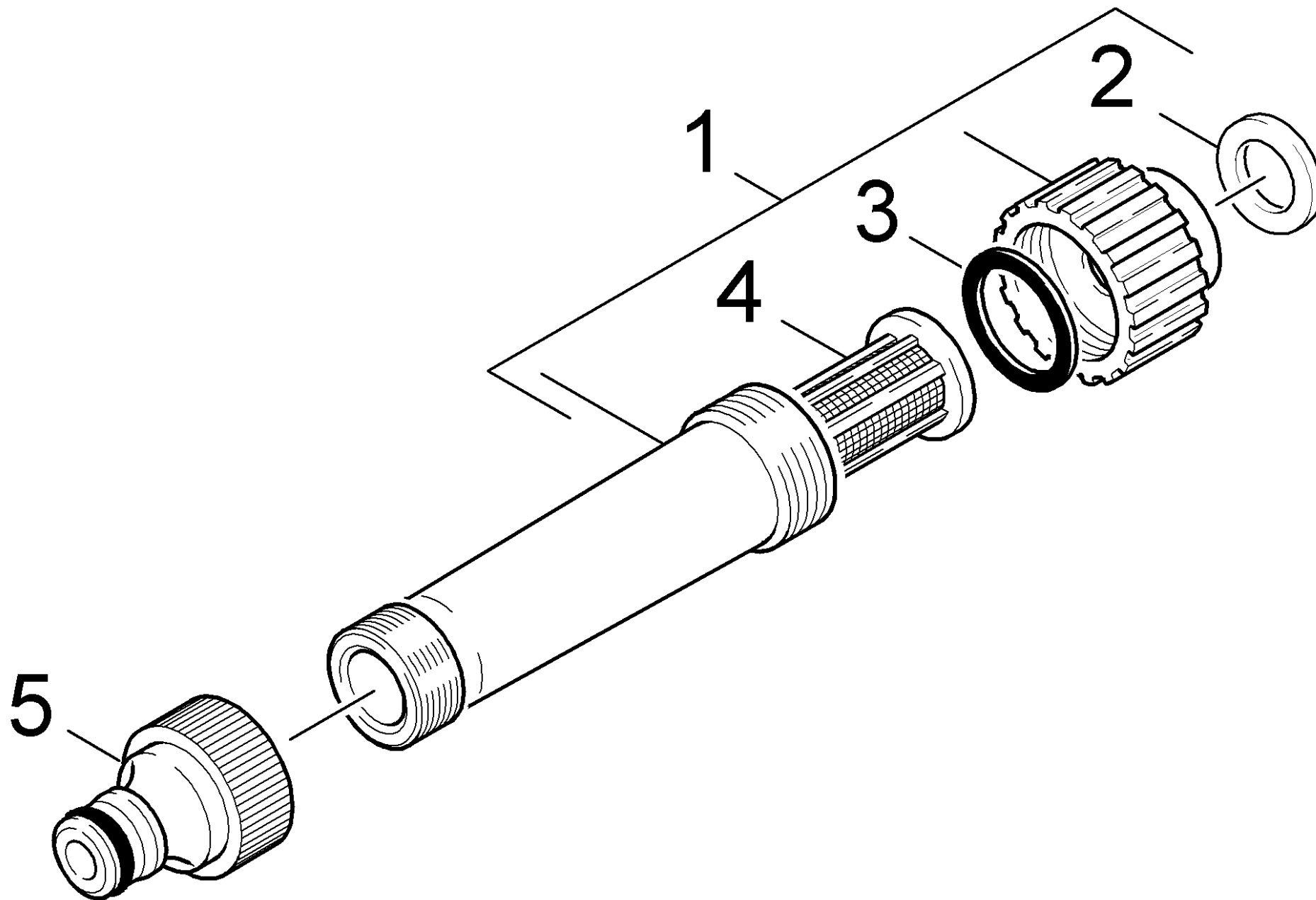
3 Dirt blaster 031 St - CEM 14,5MPa (4.764-281.0)

POS	Article no.	Description	Quantity	Unit
1	2.640-729.0	O-Ring seal set	1.000	ST



6 SH 3 suction hose Basic Line (2.643-101.0)

POS	Article no.	Description	Quantity	Unit
6	6.363-679.0	O-Ring seal 12,5x2,5 EPDM70	1.000	ST

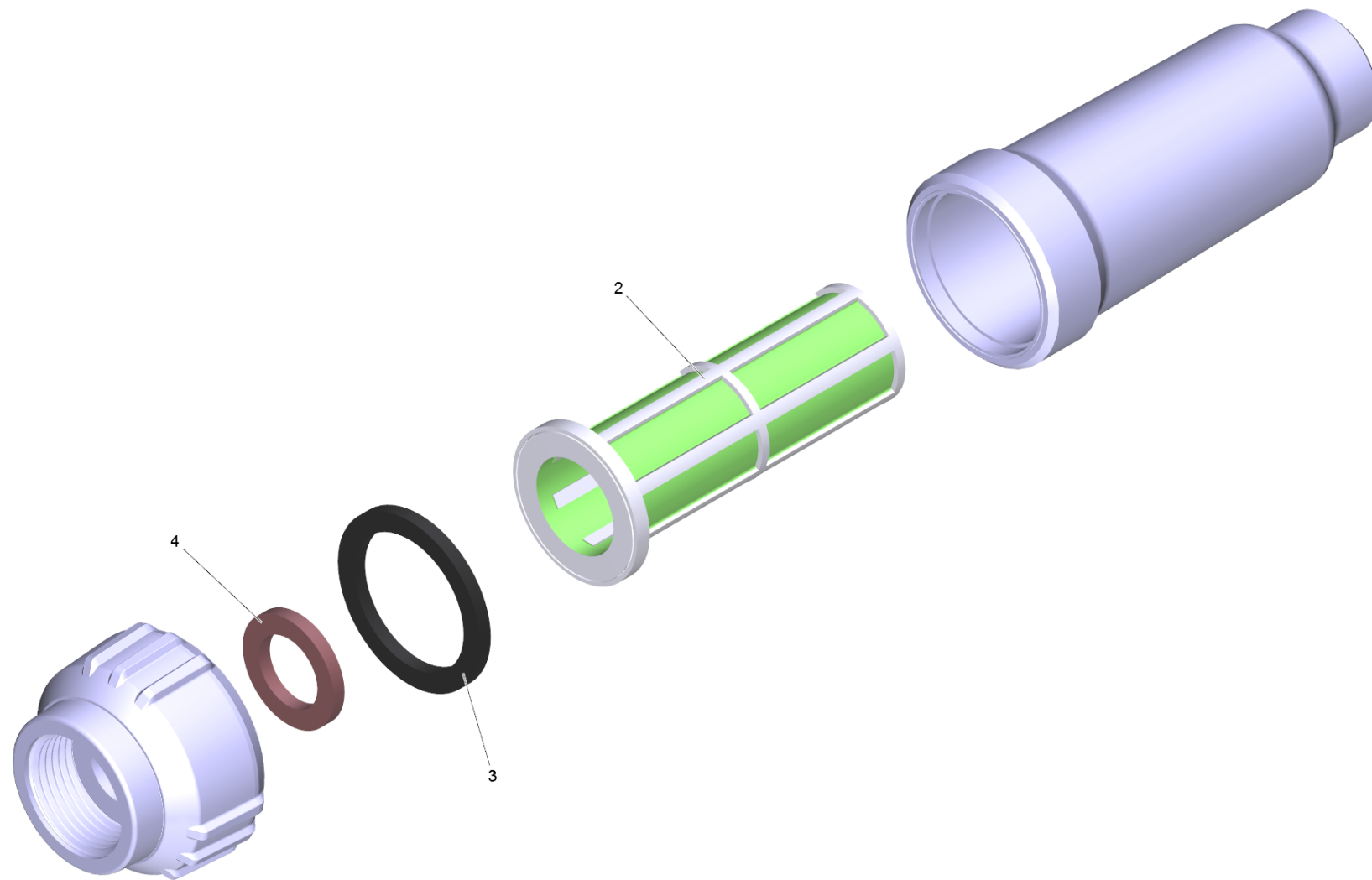


43 Water filter

POS	Article no.	Description	Quantity	Unit
1	4.730-059.0	Water filter	1.000	ST
2	5.363-545.0	Seal	1.000	ST
3	5.363-336.0	Seal	1.000	ST
4	5.731-050.0	Water filter	1.000	ST
5	6.465-031.0	Connection 3/4	1.000	ST

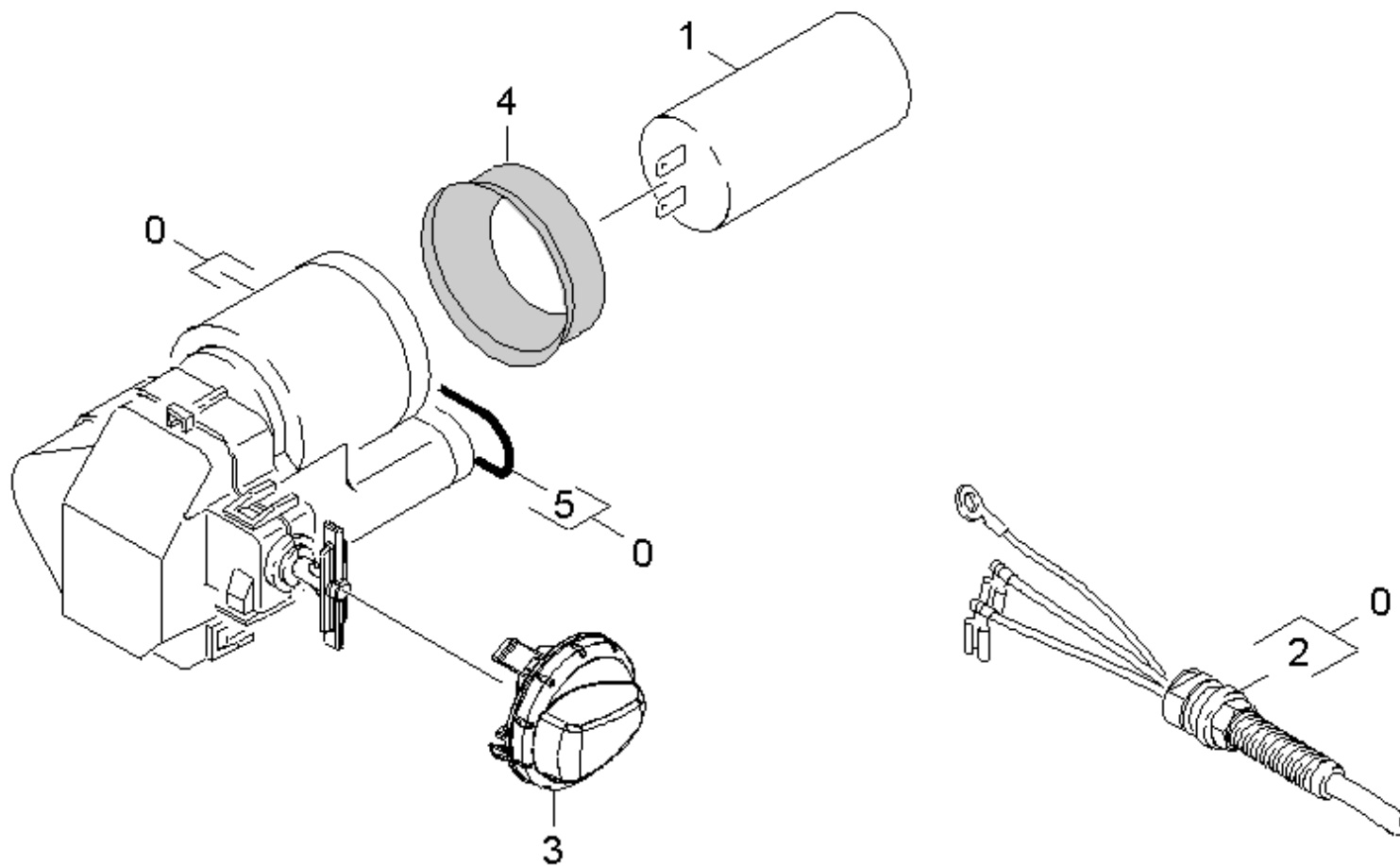
1 Water filter (4.730-059.0)

POS	Article no.	Description	Quantity	Unit
1	4.730-159.0	Water filter complete	1.000	ST



1 Water filter complete (4.730-159.0)

POS	Article no.	Description	Quantity	Unit
2	5.731-050.0	Water filter	1.000	ST
3	5.363-336.0	Seal	1.000	ST
4	5.363-545.0	Seal	1.000	ST



50 Electric box

POS	Article no.	Description	Quantity	Unit
0	9.001-767.0	Electric box spare part	1.000	ST
	Item text1: 1.180-630.0 /-631.0			
1	9.085-095.0	Capacitor 32uF	1.000	ST
2	9.084-139.0	Cable with plug *EU	1.000	ST
	Item text1: 1.180-630.0 /-631.0			
3	9.037-693.0	Handhold switch	1.000	ST
4	9.080-465.0	Joint ring capacitor d.45, 70 Shore	1.000	ST
5	9.081-417.0	O-Ring d.20 x 2	1.000	ST