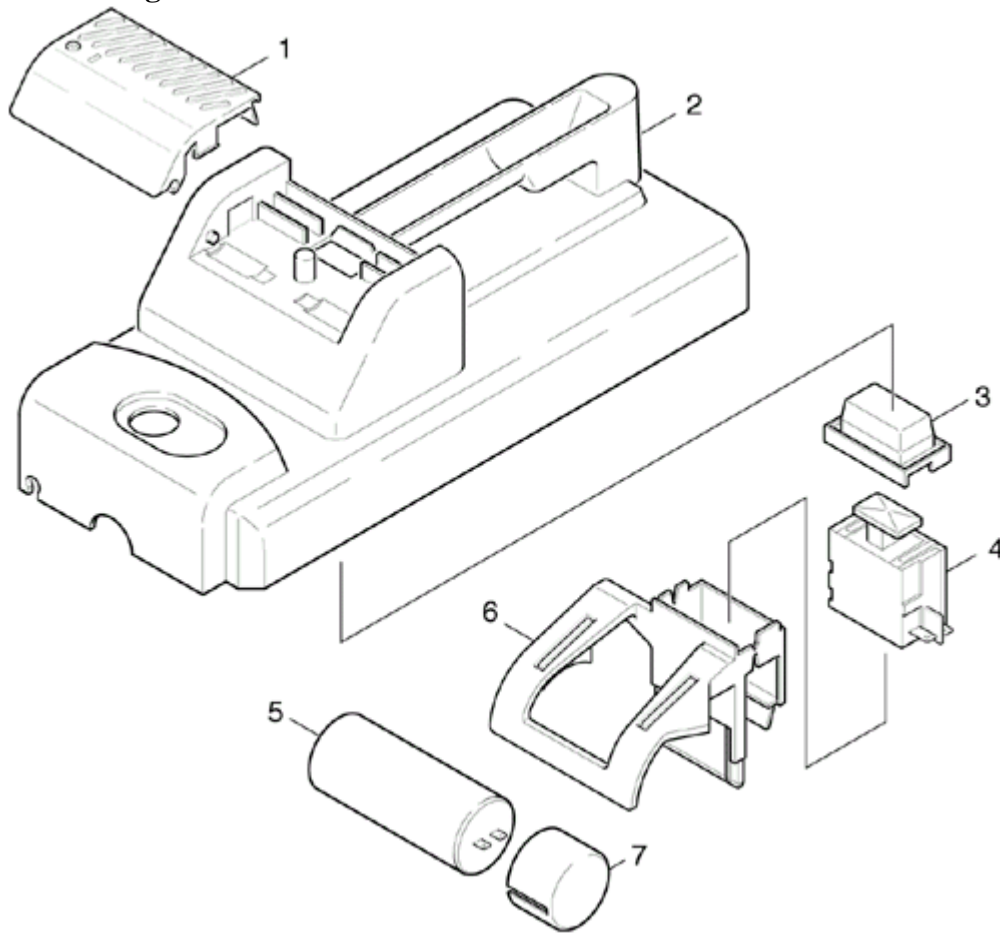


## K 510 Parts List as of July 2001 Karcher Canada

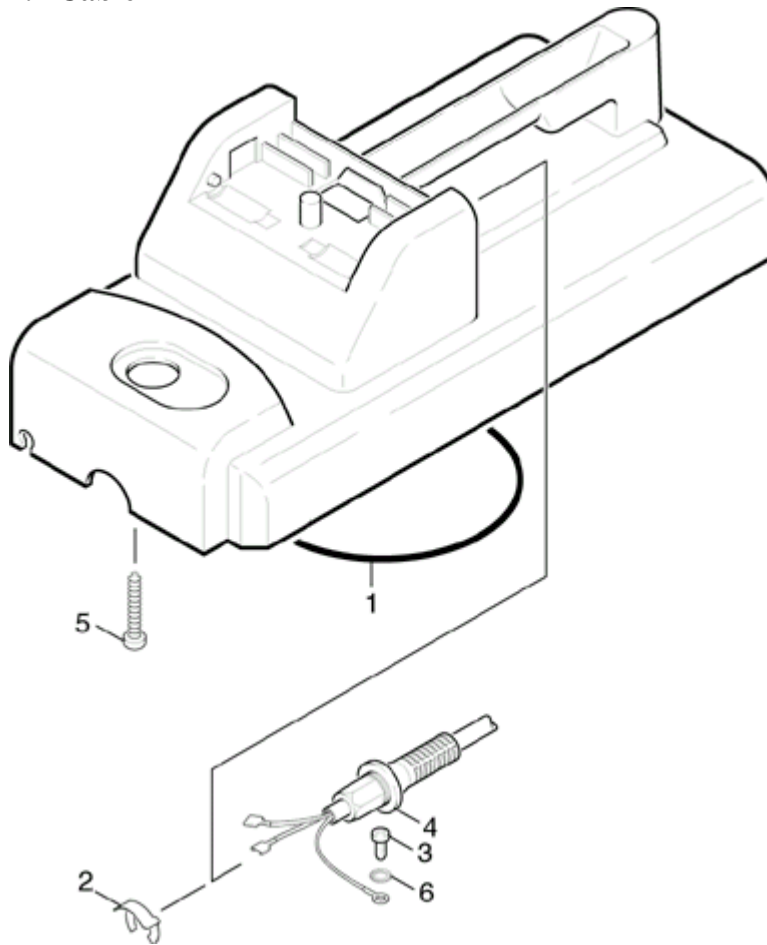
Caution: **Electrical Hazard.** Repairs or attempted repairs by untrained persons may result in damage to the pressure washer and/or personal injury as well as voiding any warranty. Customers are strongly advised to have their machine examined by a trained professional at an authorized Karcher service location.

### 1.0 Housing



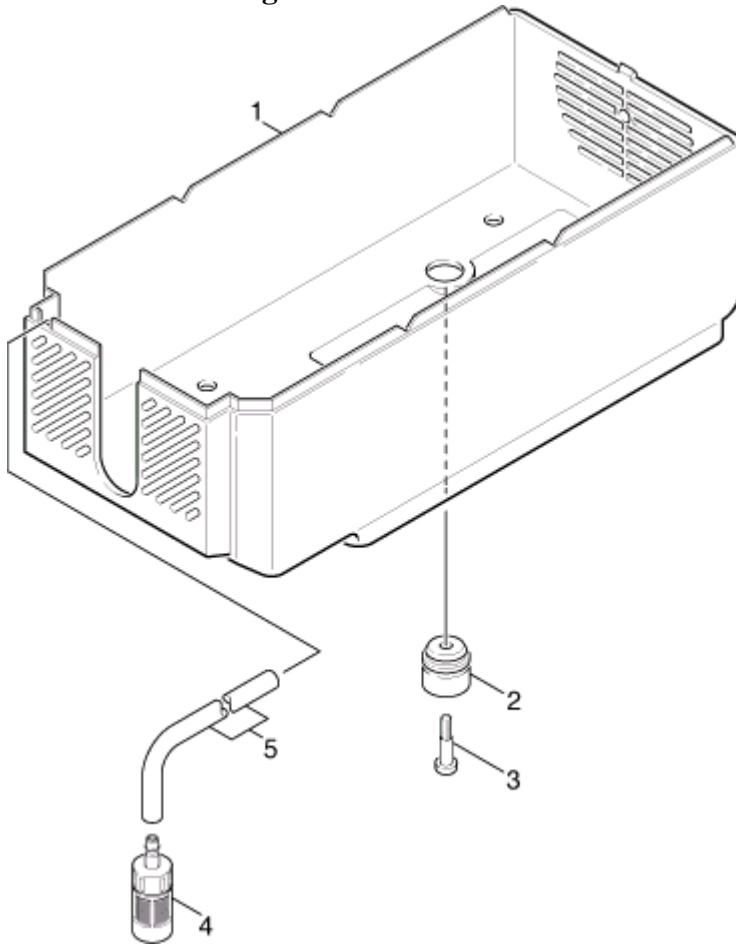
pos	description	part No.	qty	information
1	CALIPERS	4.324-008.0	1	
2	COVER	5.066-666.0	1	
3	PROTECTING CAP	6.631-550.0	1	
4	SWITCH	6.631-581.0	1	
5	CAPACITOR	6.661-177.0	1	
6	BRACKET	6.631-662.0	1	
7	PROTECTION PART	5.394-331.0	1	

## 1.1 Cable



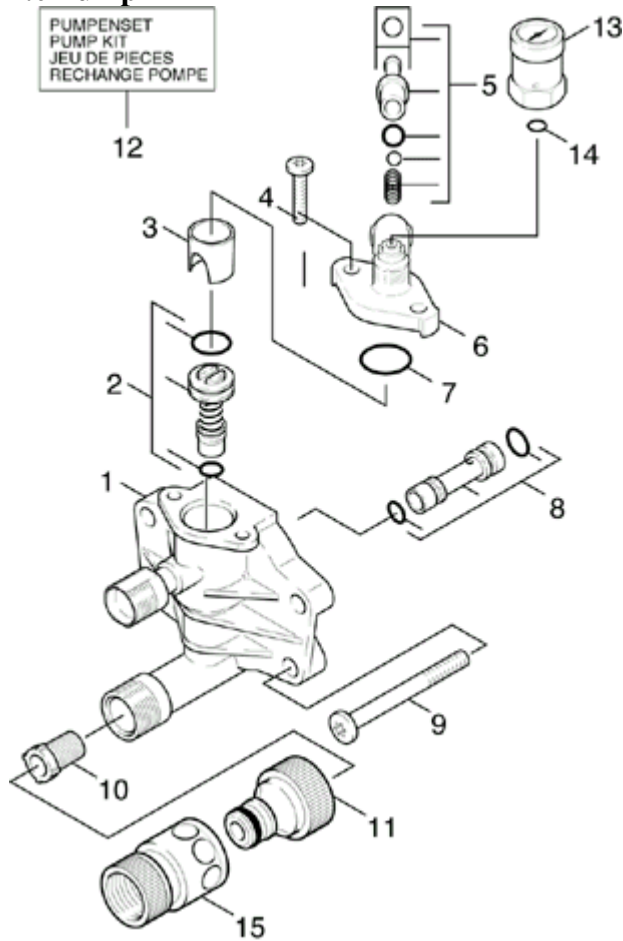
pos	description	part No.	qty	information
1	RUBBER RING	5.379-015.0	1	
2	SECURING CLIP	6.343-170.0	1	
3	SCREW	7.303-030.0	1	
4	CABLE	6.647-009.0	1	
5	SCREW	6.303-125.0	6	
6	LOCK WASHER	7.312-163.0	1	

## 1.2 Bottom Housing



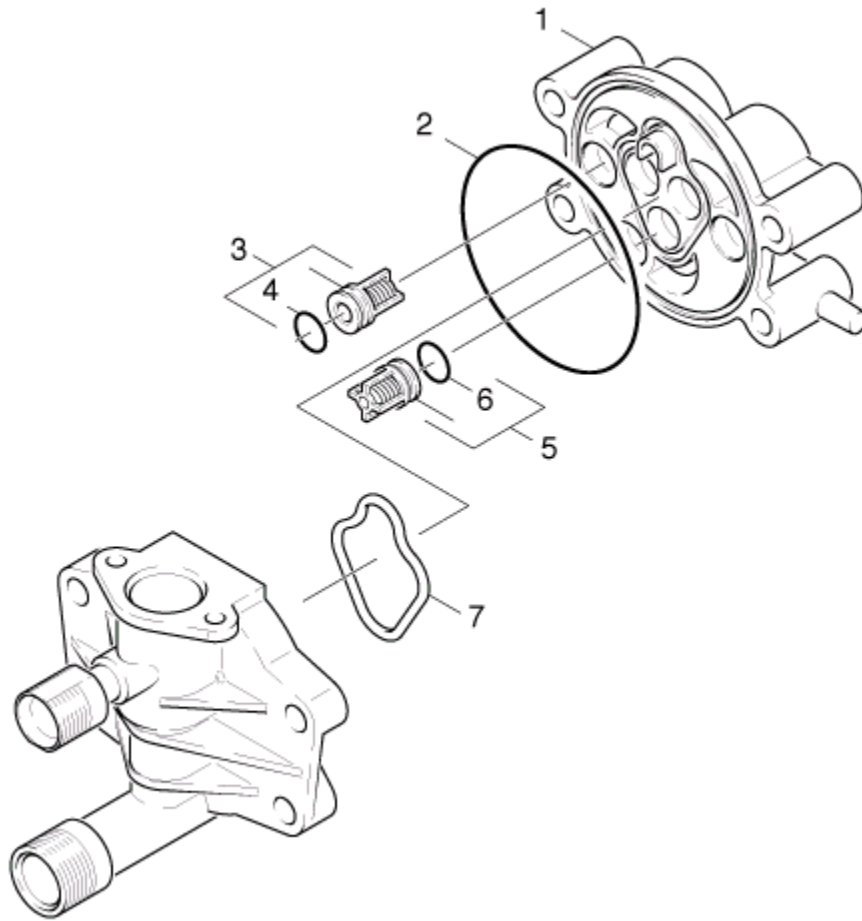
pos	description	part No.	qty	information
1	COVER	5.066-667.0	1	
2	SUPPORT	5.057-034.0	3	
3	SCREW	6.303-084.0	3	
4	FILTER	4.862-032.0	1	
5	HOSE	6.388-216.0	1	TO ORDER AS CUT GOODS

## 2.0 Pump



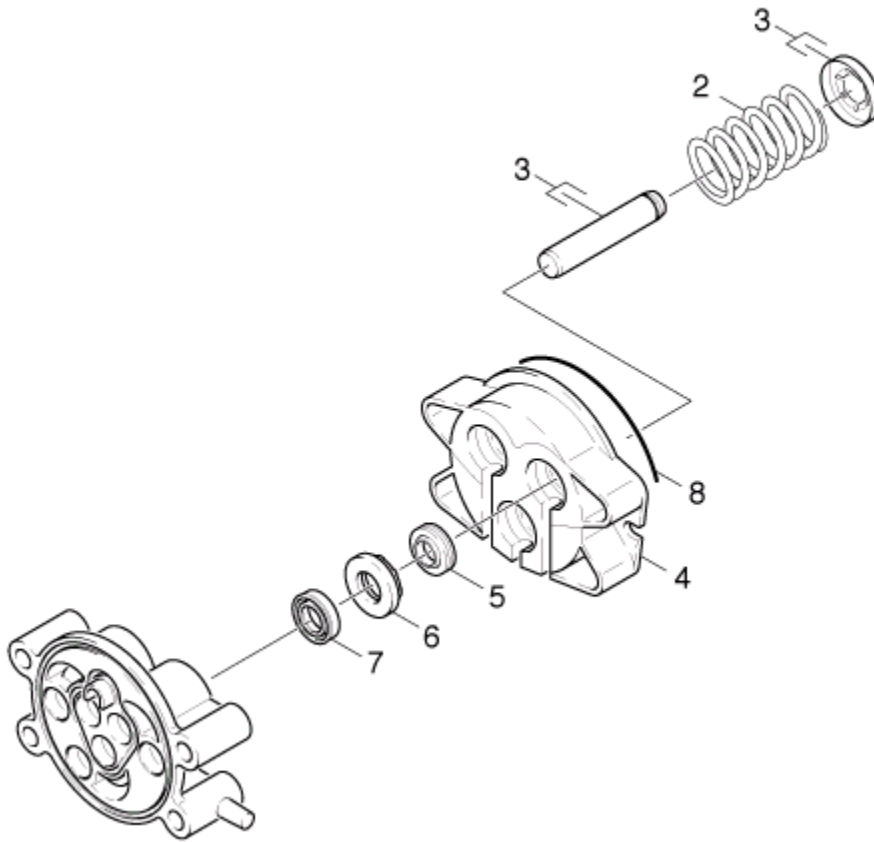
pos	description	part No.
1	HOUSING	5.060-455.0 1
2	SPILL VALVE	4.580-247.0 1
3	SLEEVE	5.110-512.0 1
4	SELF-TAPPING SCREW	6.303-143.0 2
5	SPARE PARTS KIT	2.883-158.0 1
6	LID	5.063-561.0 1
7	GASKET	6.362-161.0 1
8	NOZZLE INSERT	4.769-029.0 1
9	OVAL HEAD SCREW	6.304-087.0 4
10	STRAINER	6.414-384.0 1
11	CONNECTION	6.389-870.0 1
13	PRESSURE GAUGE	6.421-189.0 1
14	GASKET	6.362-101.0 1
15	HOSE COUPLING	6.389-716.0 1
100	PUMP SET	2.883-357.0 1

## 2.1 Cylinder Head



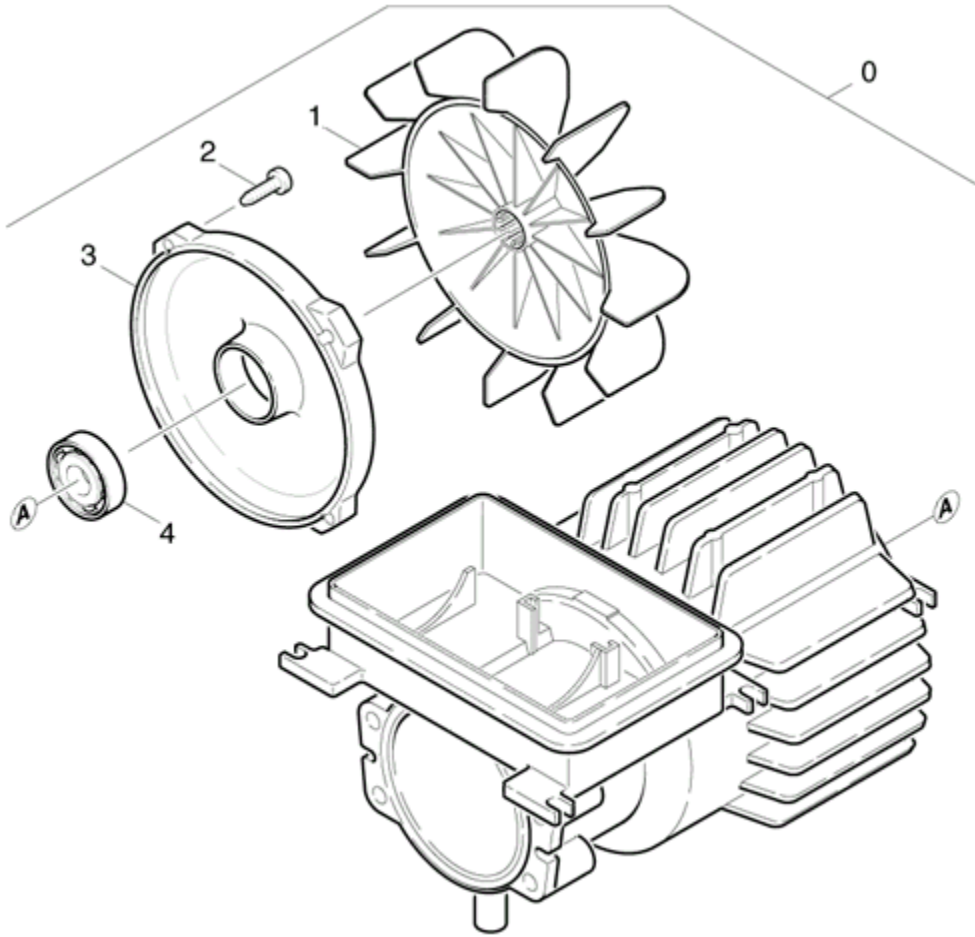
pos	description	part No.	qty	information
1	CYLINDER HEAD	5.093-030.0	1	
2	GASKET	6.362-825.0	1	
3	VALVE	4.580-205.0	3	
4	GASKET	6.362-728.0	3	
5	PRESSURE VALVE	4.580-245.0	3	
6	GASKET	6.362-077.0	3	
7	SEAL	5.365-174.0	1	
100	PUMP SET	2.883-357.0	1	

## 2.2 Piston



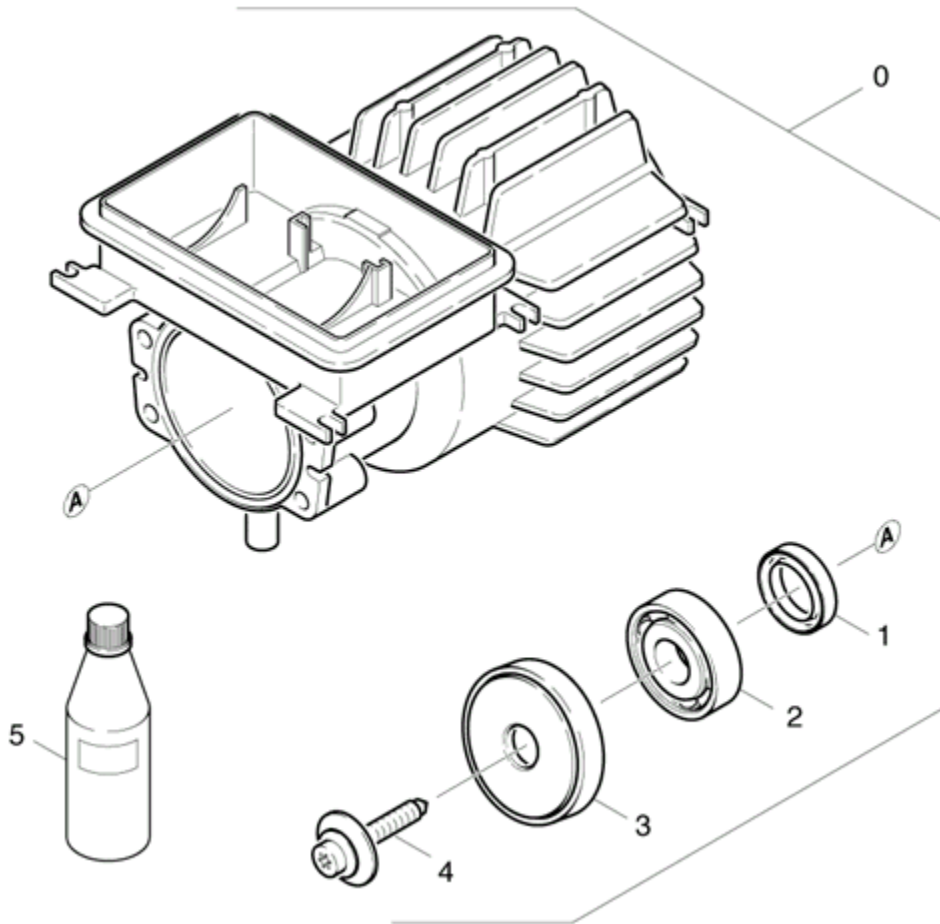
pos	description	part No.	qty	information
2	HELICAL SPRING	5.332-251.0	3	
3	PISTON	4.553-149.0	3	
4	HOUSING	5.060-349.0	1	
5	GROOVED RING	6.365-340.0	3	
6	WASHER	5.115-471.0	3	
7	GROOVED RING	6.365-341.0	3	
9	PUMP SET	2.883-357.0	1	

### 3.1 Motor Ventilation



pos	description	part No.	qty	information
0	MOTOR	4.623-194.0	1	
1	BLOWER WHEEL	5.600-033.0	1	
2	SELF-TAPPING SCREW	6.303-076.0	4	
3	COVER	5.063-420.0	1	
4	BALL BEARING	7.401-154.0	1	

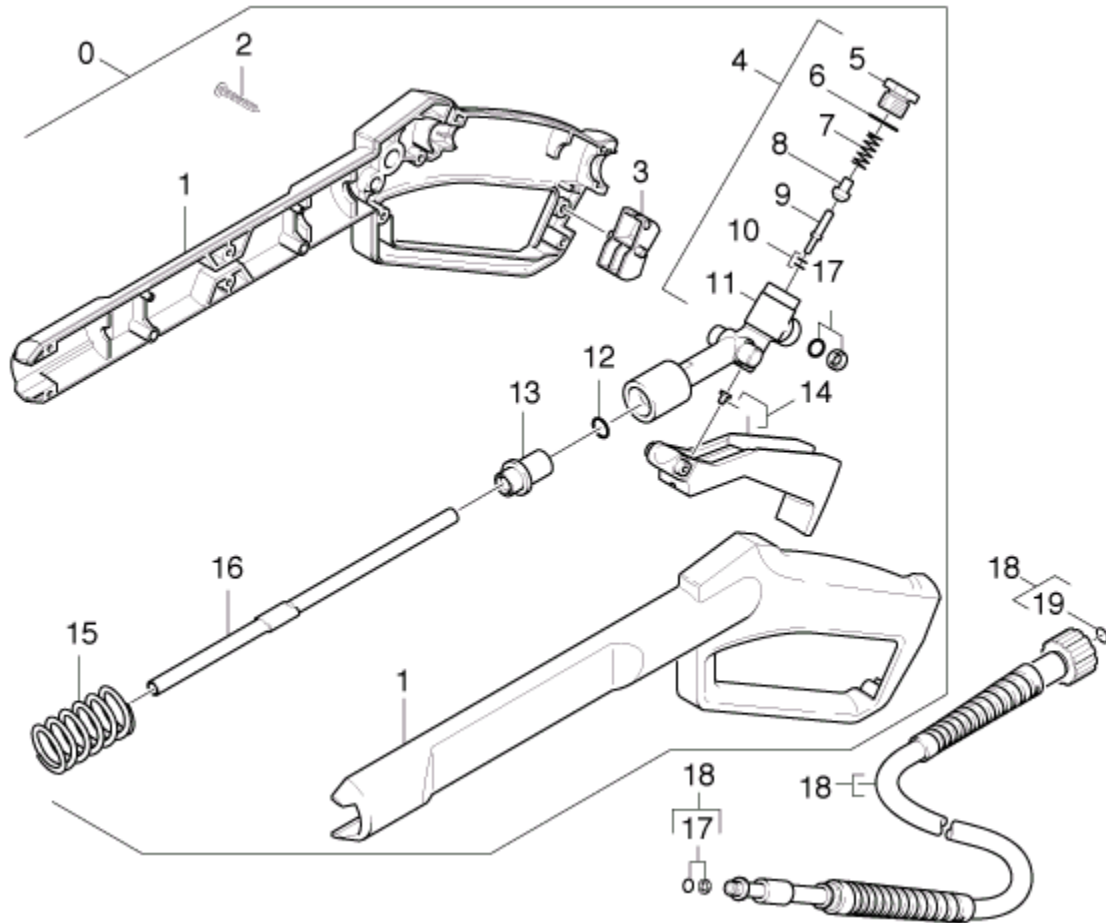
### 3.2 Gear



pos	description	part No.	qty	information
0	MOTOR	4.623-194.0	1	
1	ROTARY SHAFT SEAL	7.367-018.0	1	1
2	BALL BEARING	7.401-155.0	1	
3	SWASH PLATE	6.401-197.0	1	
4	CHEESE HEAD SCREW	6.304-048.0	1	
5	ENGINE OIL	6.288-050.0	1	

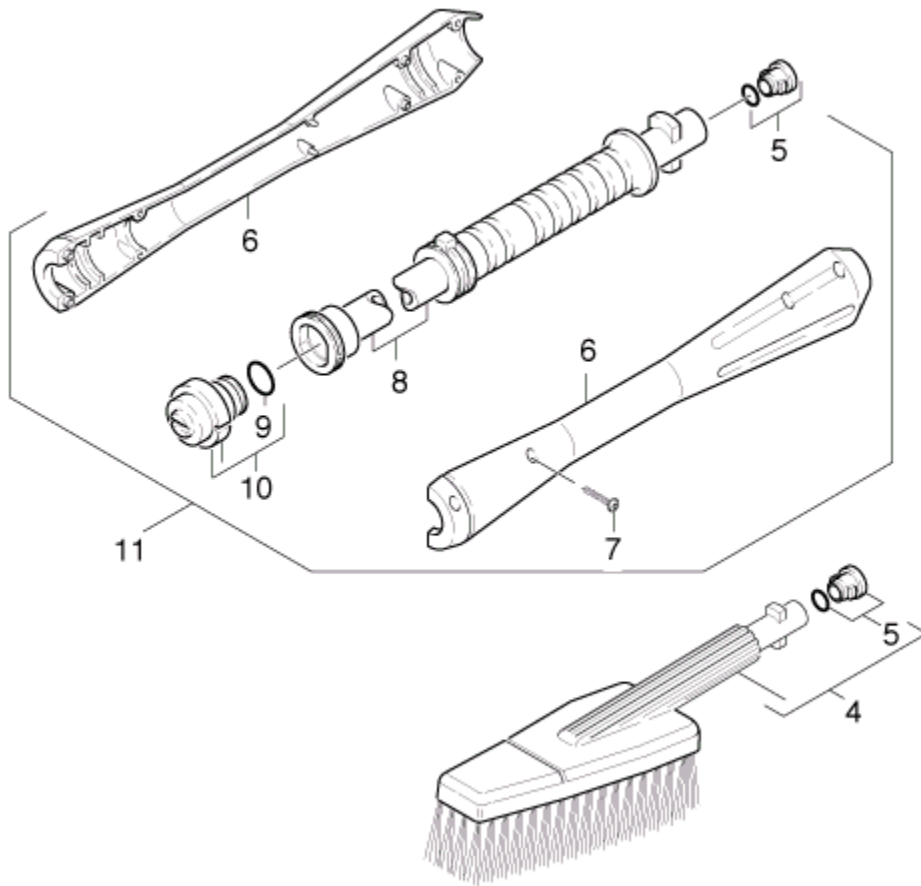


## 4.1 Trigger Gun



pos	description	part No.	qty	information
0	PISTOL	4.775-184.0	1	VERSION 1 /
1	HANDLES	5.321-419.0	1	
2	OVAL HEAD SCREW	6.303-122.0	9	
3	LEVER	5.481-052.0	1	
4	MANIFOLD	4.427-150.0	1	
5	CLOSING SCREW	5.411-054.0	1	
6	GASKET	6.362-480.0	1	
7	HELICAL SPRING	5.332-157.0	1	
8	VALVE DISC	5.582-058.0	1	
9	BAR	5.107-067.0	1	
10	GASKET	7.362-502.0	1	
11	MANIFOLD	5.427-166.0	1	
12	GASKET	6.362-802.0	1	
13	SLEEVE	5.110-477.0	1	
14	LEVER	4.481-035.0	1	
15	HELICAL SPRING	5.332-247.0	1	
16	PIPE	5.028-486.0	1	
17	GASKET	6.363-115.0	1	
18	HIGH PRESSURE HOSE	6.389-555.0	1	
19	SPARE PARTS KIT	2.880-296.0	1	

## 4.2 Nozzles



pos	description	part No.	qty	information
4	WASH BRUSH	6.903-276.0	1	
5	SPARE PARTS KIT	2.883-111.0	1	
6	HANDLES	5.321-445.0	1	
7	OVAL HEAD SCREW	6.303-122.0	8	
8	JET PIPE	5.029-842.0	1	
9	GASKET	6.362-534.0	1	
10	NOZZLE CAP	4.762-128.0	1	
11	JET PIPE	4.760-330.0	1	

**Karcher Canada Inc.**  
**1-888-705-9444**