

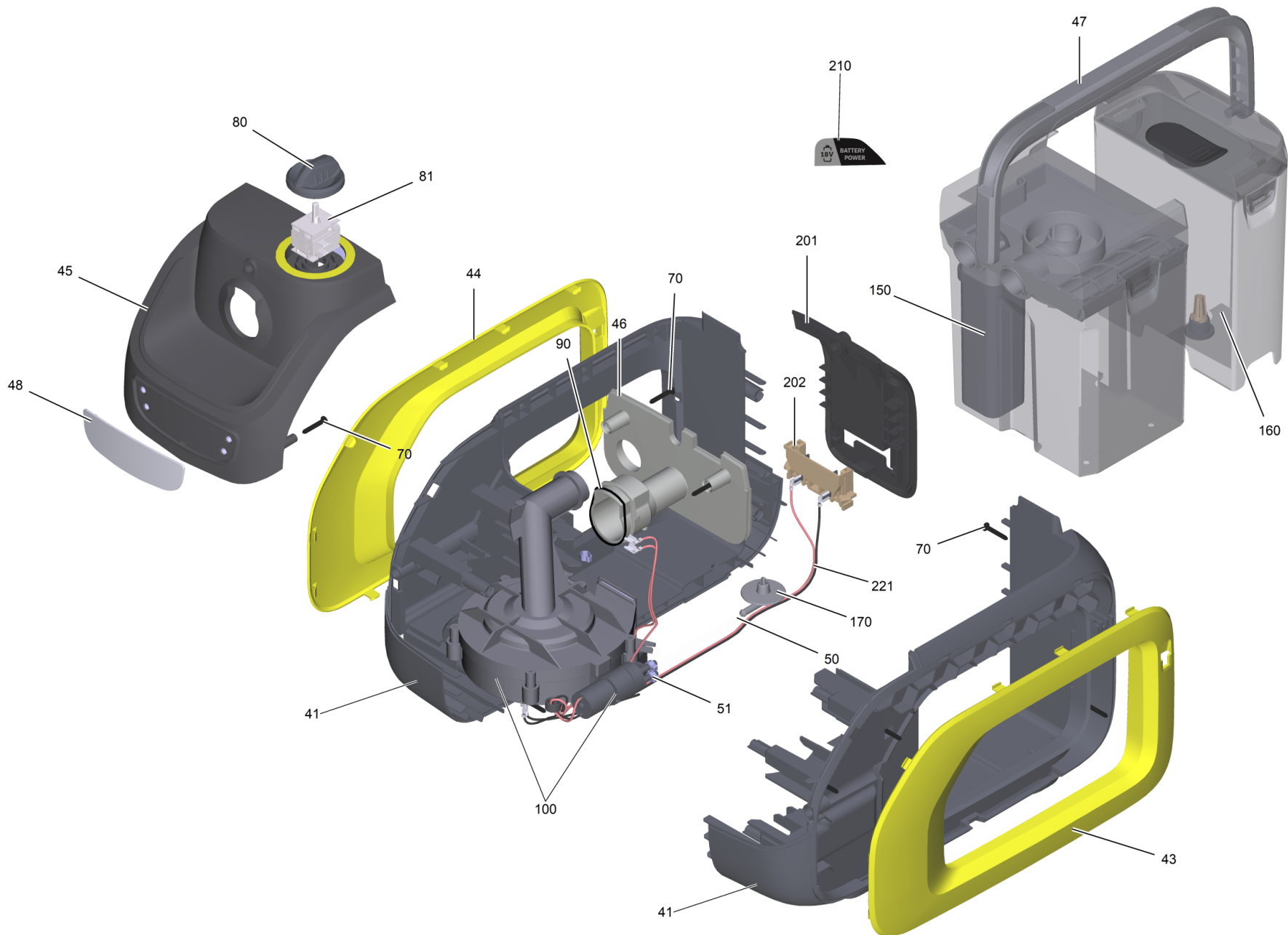
## **Spare parts list**

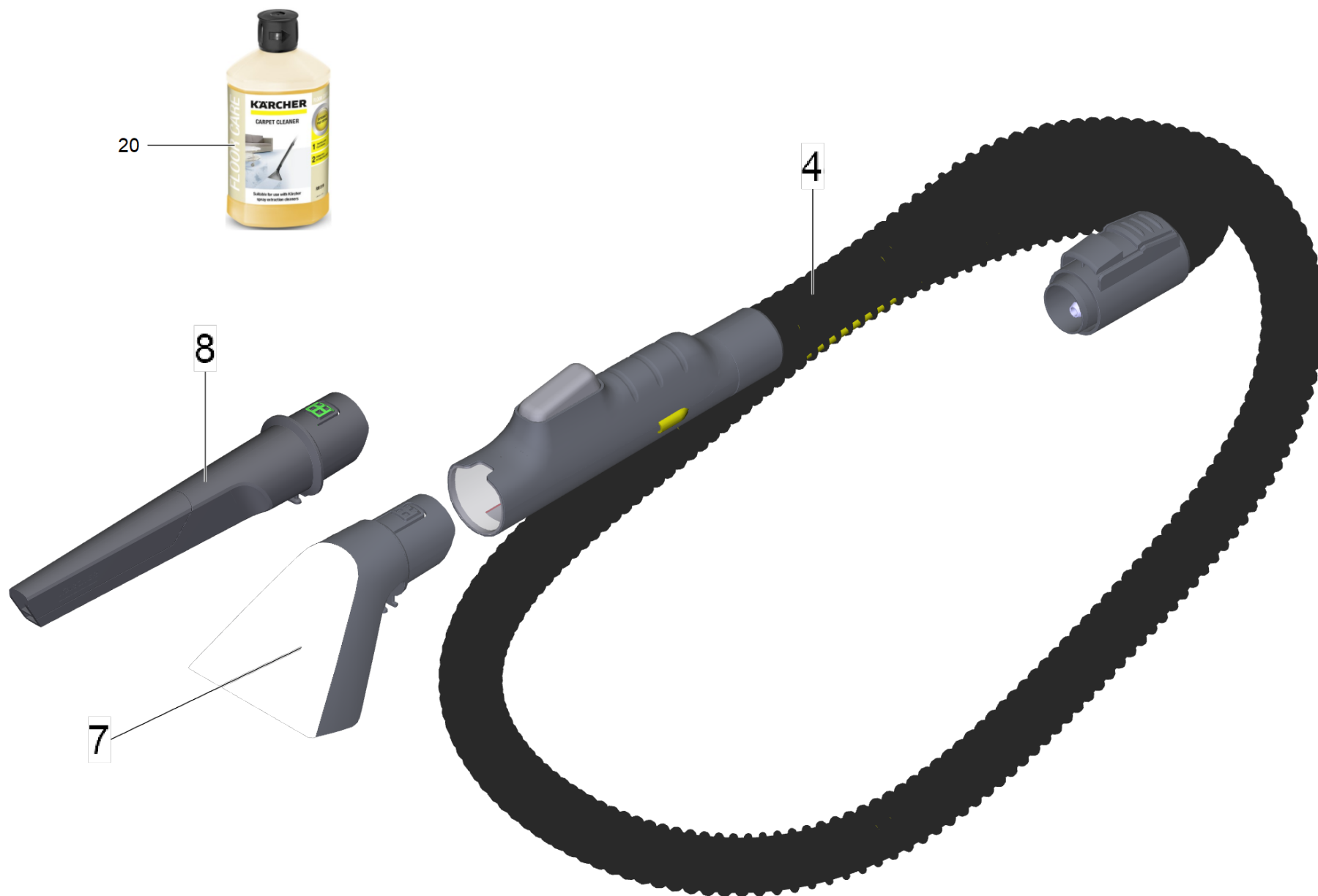
(1.081-506.0) SE 3-18 Compact Home \*INT

## Table of contents

---

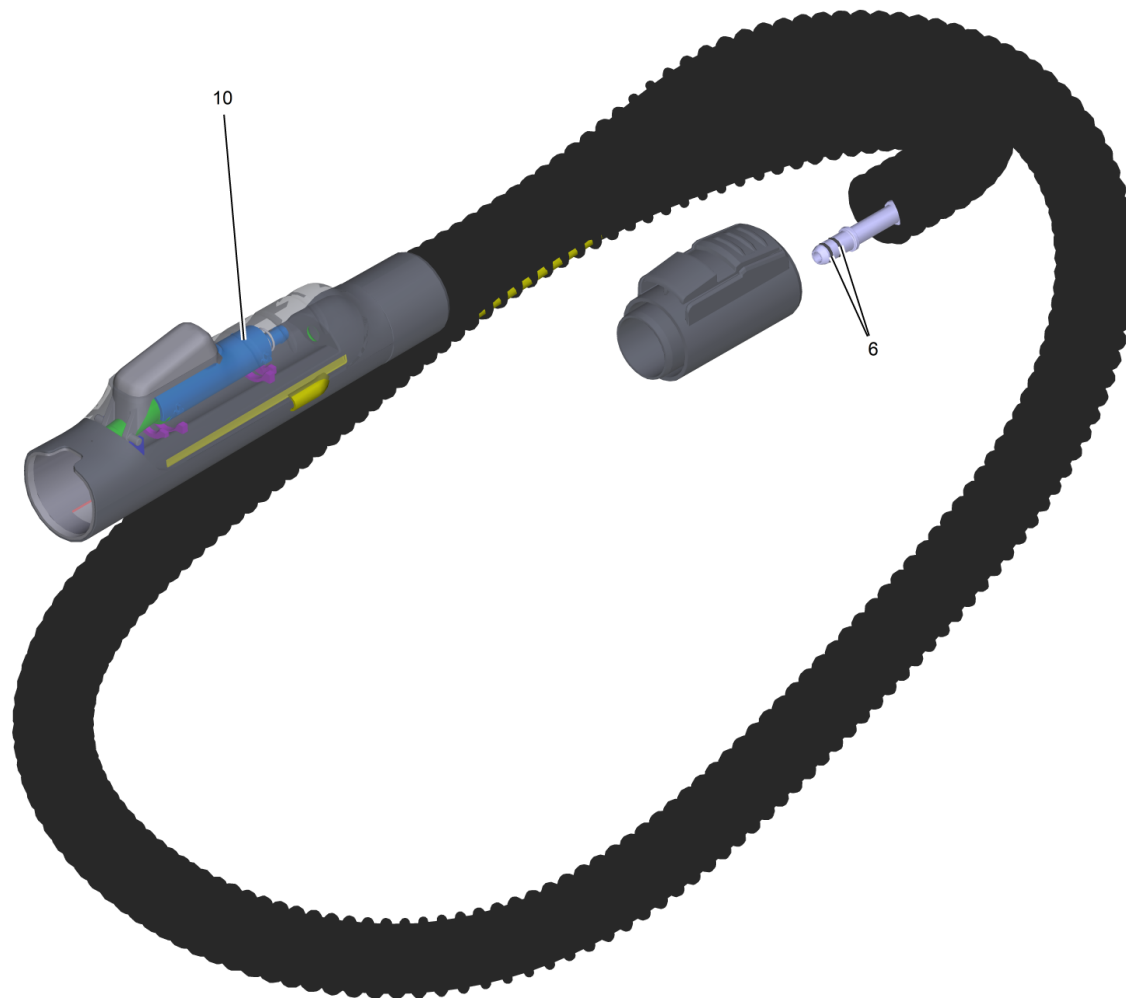
SE 3-18 Compact Home *INT (1.081-506.0)	3
4 Suction hose cpl. for replacement (4.440-150.3)	6
7 Upholstery nozzle cpl. for replacement (4.081-013.3)	8
100 Motor pump Unit	10
3 Set pump pressure controller (4.081-019.0)	12
150 Dirt water tank cpl.	14
160 Clean water tank cpl.	16
170 Nipple fresh water tank cpl. (4.081-008.3)	18





## SE 3-18 Compact Home \*INT (1.081-506.0)

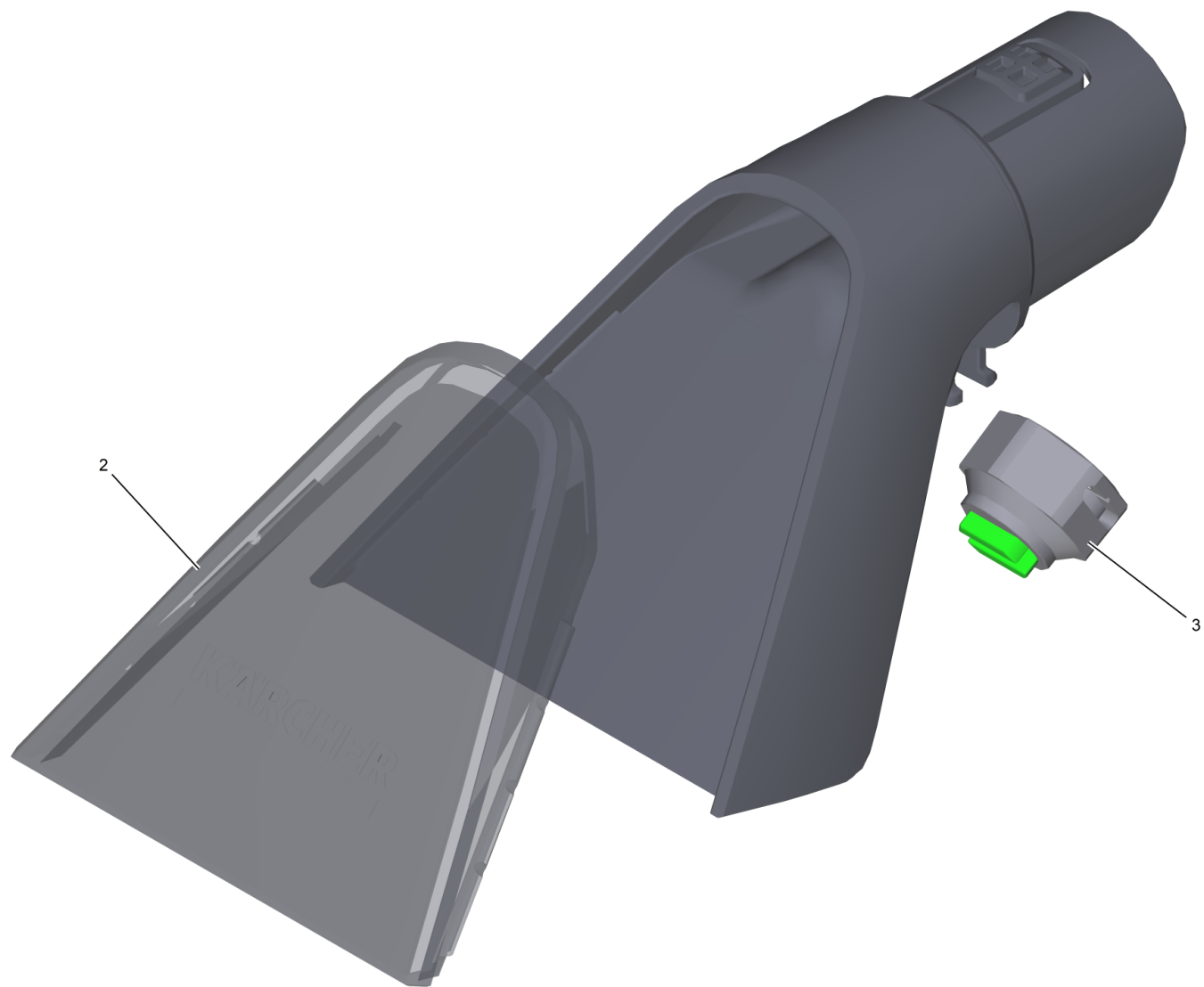
POS	Article no.	Description	Quantity	Unit
201	5.081-043.3	Bracket battery for replacement 18 V	1	PC
221	4.624-528.3	Cable cpl. with ferrite ring	1	PC
47	5.081-017.3	Carrier handle for replacement	1	PC
160		Clean water tank cpl.	1	PC
46	5.081-019.3	Connecting plate for replacement	1	PC
202	5.445-188.3	Contact element fixed for replacement 18V 2 Pins	1	PC
43	5.081-063.3	Covering cap housing left white for replacement	1	PC
44	5.081-064.3	Covering cap housing right white for replacement	1	PC
8	5.081-054.3	Crevice nozzle for replacement	1	PC
150		Dirt water tank cpl.	1	PC
80	5.628-014.3	Handle black for replacement	1	PC
51	6.390-257.0	Hose clip	3	PC
50	6.388-216.0	Hose DN 5 (PVC)	0,51	m
45	5.081-057.3	Housing front printed	1	PC
41	4.081-018.0	Housing set for replacement	1	PC
48	5.081-058.3	Logo plate for replacement SE Battery	1	PC
100		Motor pump Unit	1	PC
170	4.081-008.3	Nipple fresh water tank cpl.	1	PC
90	6.362-216.0	O-Ring seal 40,0 X 2,0-NBR 70	1	PC
20	6.295-771.0	RM 519** 1l Carpet Cleaner liquid	1	PC
81	6.630-984.3	Rotary switch for replacement Marquardt (on/off)	1	PC
70	7.303-084.0	Screw 4x25 -10.9-R2R (K-In6Rd)	10	PC
210	5.444-223.0	Sticker Battery Power 18V (SE) L	1	PC
4	4.440-150.3	Suction hose cpl. for replacement	1	PC
7	4.081-013.3	Upholstery nozzle cpl. for replacement	1	PC



4 Suction hose cpl. for replacement (4.440-150.3)

---

<b>POS</b>	<b>Article no.</b>	<b>Description</b>	<b>Quantity</b>	<b>Unit</b>
6	6.363-574.0	O-Ring seal 6x1,2 - NBR 80	2	PC
10	4.081-010.3	Valve cpl. for replacement	1	PC

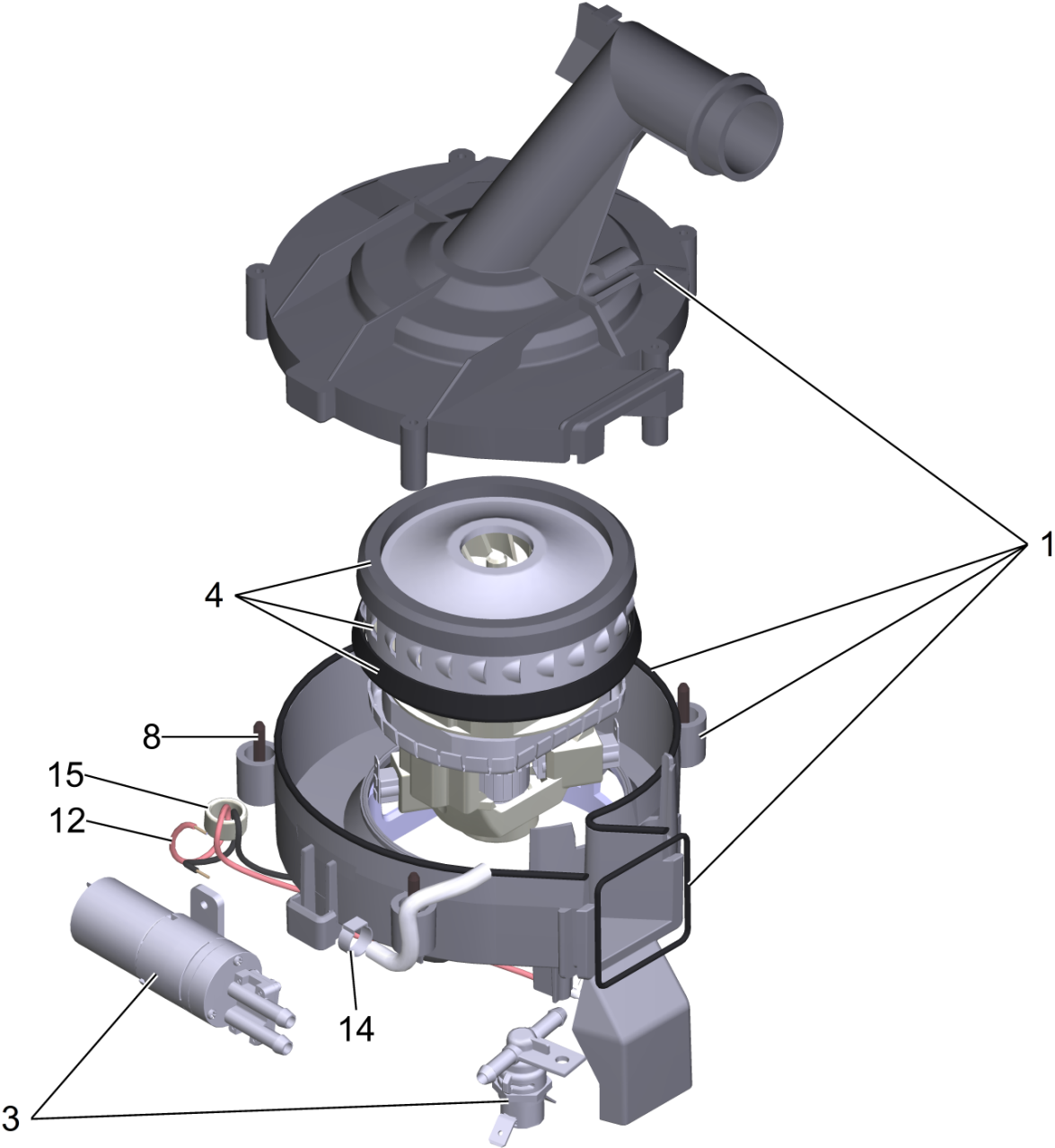




7 Upholstery nozzle cpl. for replacement (4.081-013.3)

---

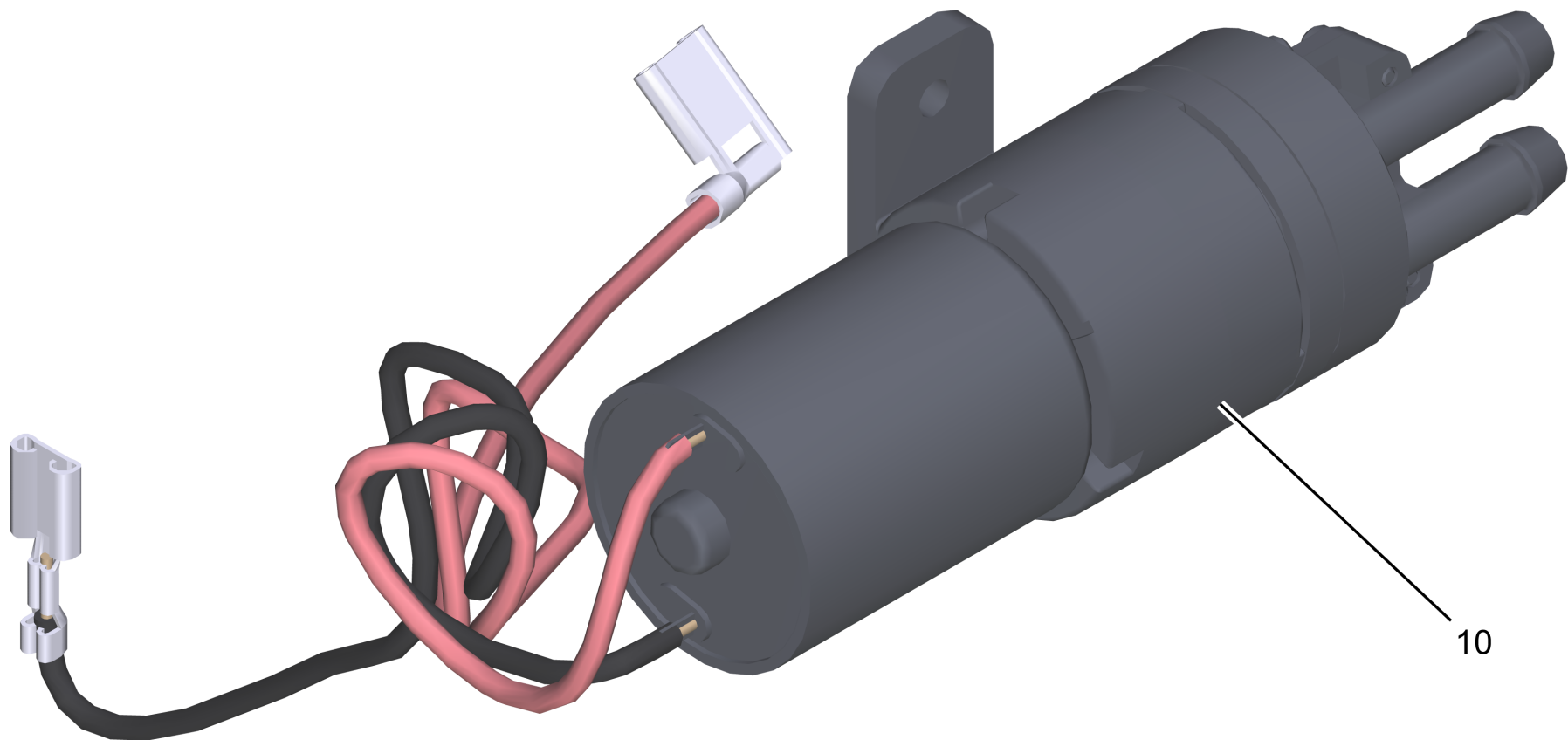
<b>POS</b>	<b>Article no.</b>	<b>Description</b>	<b>Quantity</b>	<b>Unit</b>
2	5.081-053.0	Cover upholstery nozzle	1	PC
3	4.081-015.0	Set nozzle for replacement	1	PC



## 100 Motor pump Unit

---

POS	Article no.	Description	Quantity	Unit
4	4.081-017.0	Blower motor for replacement 18V CDS	1	PC
12	6.651-867.0	Cable red 70mm	1	PC
15	6.346-003.0	Ferrite ring (14x8x10)	1	PC
14	6.390-257.0	Hose clip	2	PC
1	4.081-016.0	Motor housing set	1	PC
8	7.303-084.0	Screw 4x25 -10.9-R2R (K-In6Rd)	5	PC
3	4.081-019.0	Set pump pressure controller	1	PC

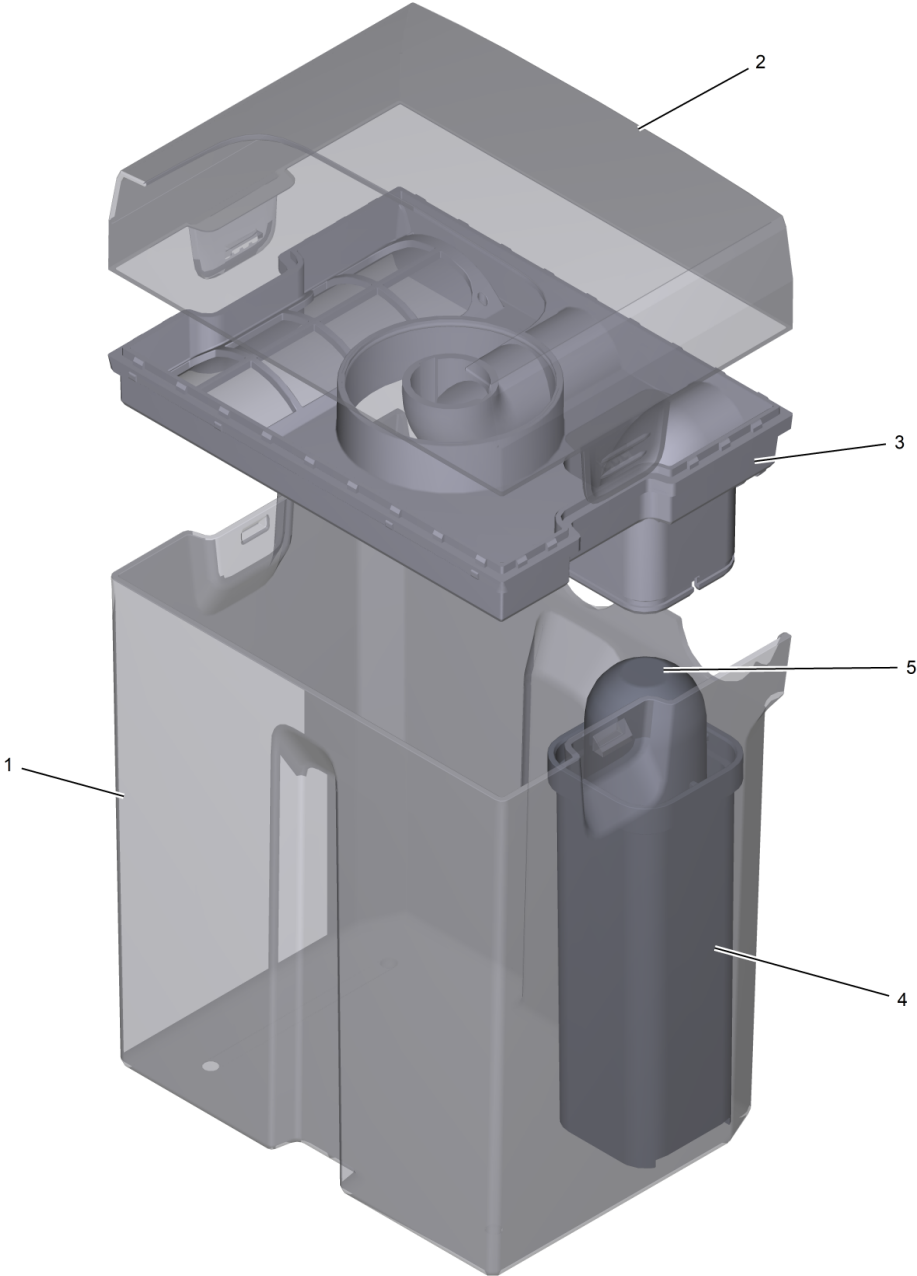


3 Set pump pressure controller (4.081-019.0)

---

POS	Article no.	Description	Quantity	Unit
10	6.473-110.3	Pump for replacement DP-2RV	1	PC

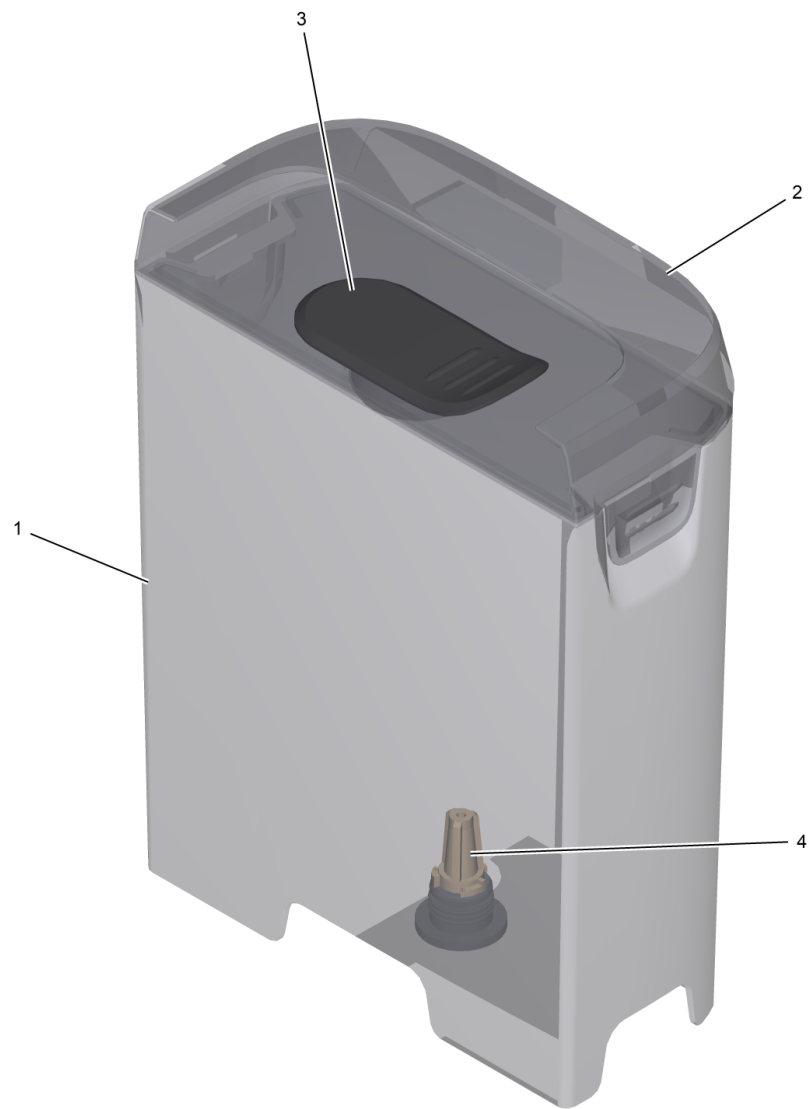
---



150 Dirt water tank cpl.

---

<b>POS</b>	<b>Article no.</b>	<b>Description</b>	<b>Quantity</b>	<b>Unit</b>
2	5.081-034.3	Cover plate waste water tank for replacement	1	PC
1	5.081-033.3	Dirt water tank for replacement	1	PC
5	5.081-037.0	Float	1	PC
4	5.081-036.3	Float cage for replacement	1	PC
3	5.081-035.3	Separator for replacement	1	PC





160 Clean water tank cpl.

---

<b>POS</b>	<b>Article no.</b>	<b>Description</b>	<b>Quantity</b>	<b>Unit</b>
3	5.081-056.3	Cap fresh water tank for replacement	1	PC
1	5.081-059.3	Clean water tank printed for replacement	1	PC
2	5.081-039.3	Cover plate fresh water tank for replacement	1	PC
4	4.081-020.0	Set valve fresh water tank	1	PC

170 Nipple fresh water tank cpl. (4.081-008.3)

---

POS	Article no.	Description	Quantity	Unit
2	6.362-690.0	O-Ring seal 7x2 - NBR 70	1	PC