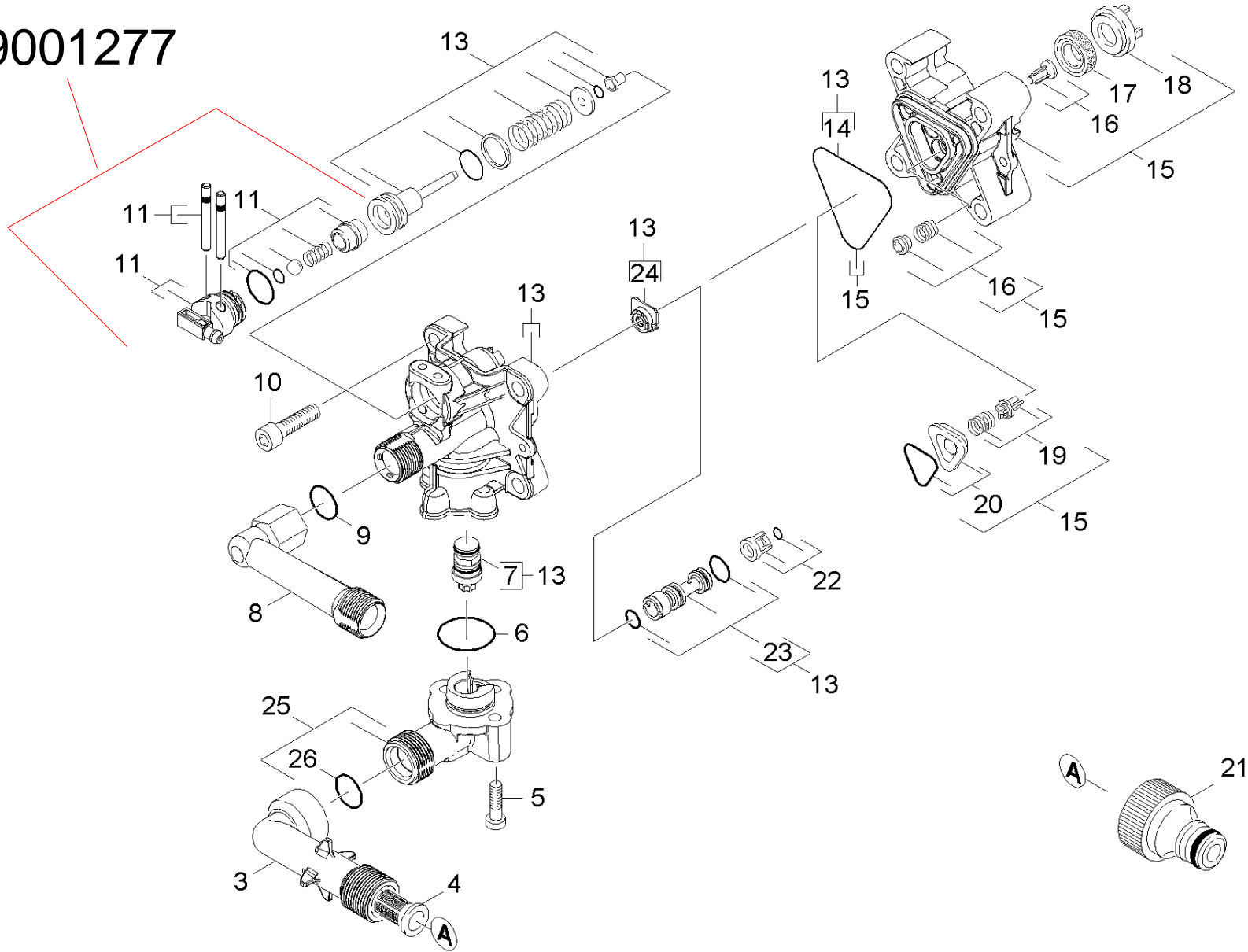


22 Housing (0.108-994.0)

Overview technical documents/Home & Garden/High pressure cleaner cold water/Electric motor/K 5/K 5.55 JUBILEE *EU (1.636-460.0)/Spare parts list K5.55 jubilee*EU/20 Pump set/22 Housing (0.108-994.0)

K9001277



22 Housing (0.108-994.0)

Overview technical documents/Home & Garden/High pressure cleaner cold water/Electric motor/K 5/K 5.55 JUBILEE *EU (1.636-460.0)/Spare parts list K5.55 jubilee*EU/20 Pump set/22 Housing (0.108-994.0)

ET/VT (spare/wear parts)	Pos	Material #	Name	Qty.	Unit	from ser.nr.	up to ser.nr.
X	3	9.037-320.0	Connection suction side	1.000	ST	00000000000000000000	00000000000000000000
Position text: 1.636-465.0 /-466.0 /							
	4	5.731-598.0	Fine filter	1.000	ST	00000000000000000000	00000000000000000000
	5	9.086-199.0	Screw	3.000	ST	00000000000000000000	00000000000000000000
	6	9.081-417.0	O-Ring d.20 x 2	1.000	ST	00000000000000000000	00000000000000000000
	7	9.001-281.0	By-pass valve	1.000	ST	00000000000000000000	00000000000000000000
X-X	8	4.025-894.0	High-pressure outlet complete K5.91M	1.000	ST	00000000000000000000	00000000000000000000
X-X	9	6.362-151.0	O-Ring d. 10 x 2 NBR 70	1.000	ST	00000000000000000000	00000000000000000000
	10	7.306-151.0	Cylinder head screw M8x65 -8.8-A2E ISO4	4.000	ST	00000000000000000000	00000000000000000000
X	11	9.001-277.0	Spare parts set chemistry	1.000	ST	00000000000000000000	00000000000000000000
X-X	13	9.001-800.0	Spare part set control head	1.000	ST	00000000000000000000	00000000000000000000
	14	9.081-424.0	Form seal	1.000	ST	00000000000000000000	00000000000000000000
X-X	15	9.001-274.0	Spare part set control head	1.000	ST	00000000000000000000	00000000000000000000
X-X	16	9.001-110.0	Moulded part complete	1.000	ST	00000000000000000000	00000000000000000000
X-X	17	6.362-875.0	Grooved ring	3.000	ST	00000000000000000000	00000000000000000000
X	18	9.037-059.0	Supportring	3.000	ST	00000000000000000000	00000000000000000000
X-X	19	9.001-275.0	Valve set	1.000	ST	00000000000000000000	00000000000000000000
	20	9.001-276.0	Joining piece	1.000	ST	00000000000000000000	00000000000000000000
X-X	21	6.465-031.0	Connection 3/4	1.000	ST	00000000000000000000	00000000000000000000
	22	9.001-819.0	Cage complete	1.000	ST	00000000000000000000	00000000000000000000
X	23	4.769-035.0	Nozzle insert	1.000	ST	00000000000000000000	00000000000000000000
	24	9.037-142.0	Distance holder	1.000	ST	00000000000000000000	00000000000000000000
	25	9.012-506.0	Connection complete	1.000	ST		
Position text: 1.636-465.0 /-466.0 /							
	26	9.081-417.0	O-Ring d.20 x 2	1.000	ST		