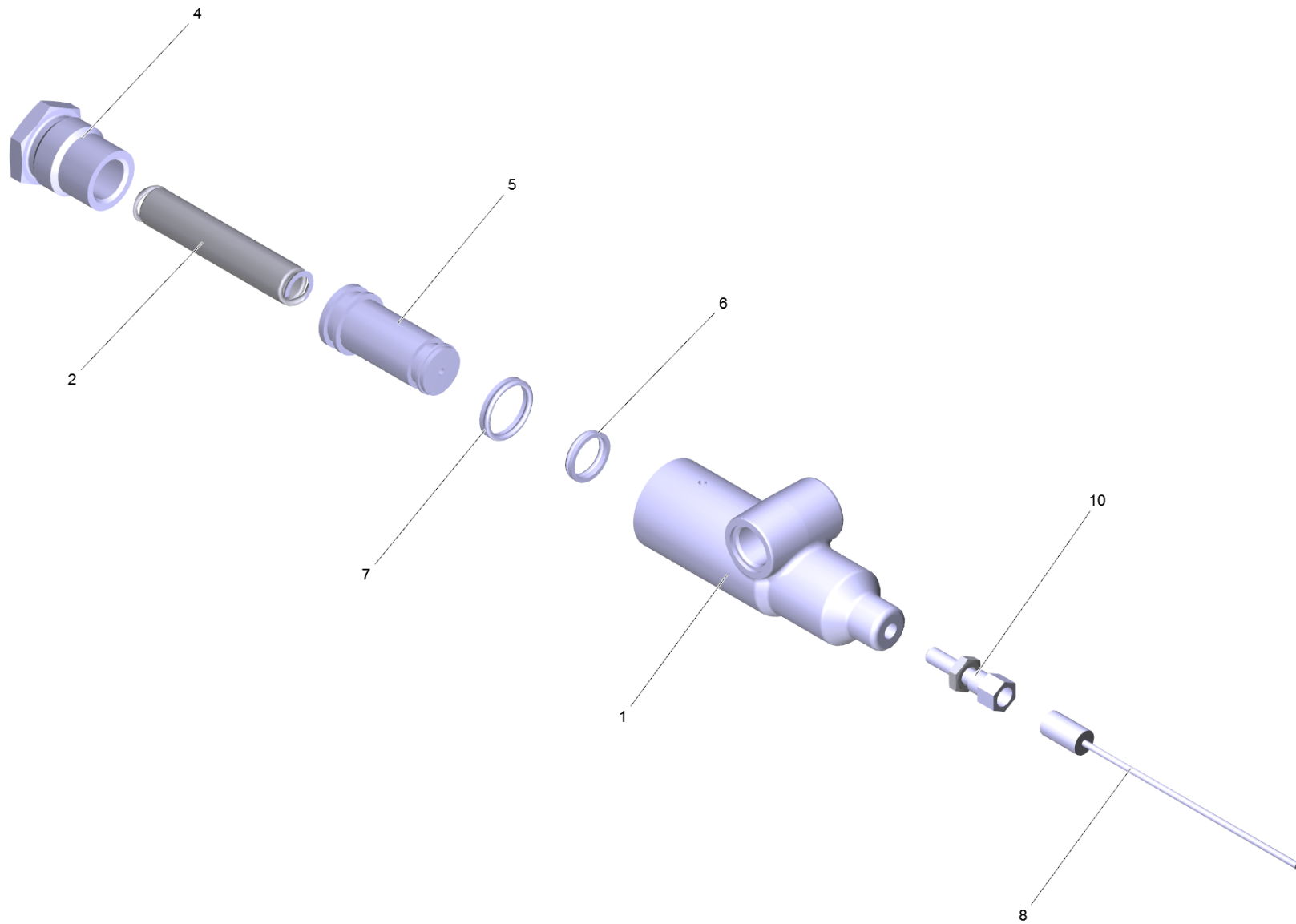


1 Speed control (4.741-021.0)

Professional \ High pressure cleaner cold water \ Combustion engine \ HD 1050 B Plus *EU \ Spare parts list HD 1050 B Plus *EU \ Pump set \ Excess-current \ Speed control \ Speed control



1 Speed control (4.741-021.0)

Professional \ High pressure cleaner cold water \ Combustion engine \ HD 1050 B Plus *EU \ Spare parts list HD 1050 B Plus *EU \ Pump set \ Excess-current \ Speed control \ Speed control

KÄRCHER

POS	Article no.	Description	Quantity	Unit
1	5.060-335.0	Housing	1.000	ST
2	5.332-232.0	Helical spring	1.000	ST
4	5.411-139.0	Screw plug	1.000	ST
5	5.553-222.0	Piston	1.000	ST
6	6.362-575.0	O-Ring seal 12,42 KOMPL	1.000	ST
7	6.362-611.0	O-Ring seal complete	1.000	ST
8	6.431-090.0	Strand 850MM	1.000	ST
9	6.288-044.0	Silicon grease 100 G	1.000	ST
10	6.431-054.0	Adjusting screw	1.000	ST