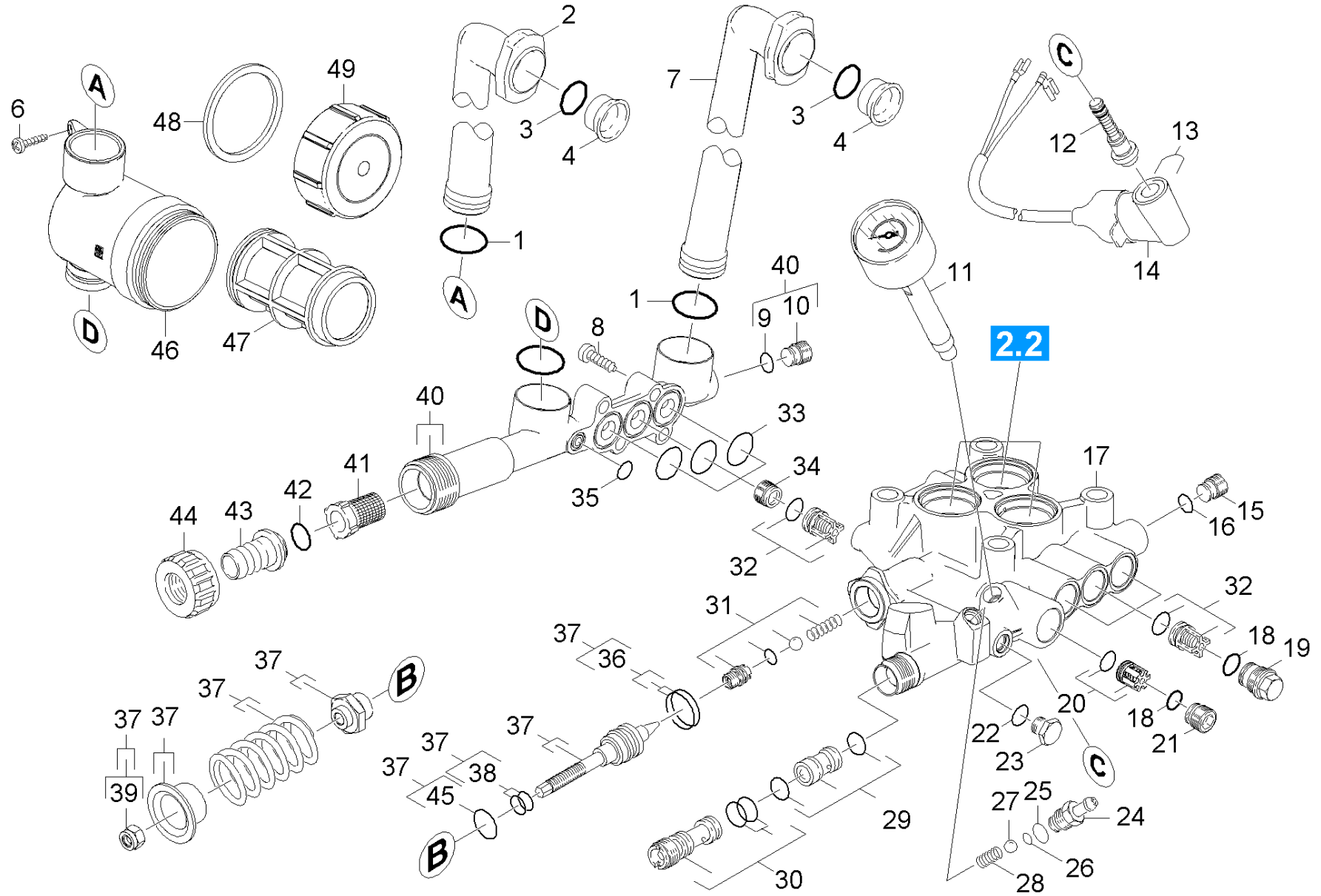


## 21 Cylinder head

Overview technical documents/Professional/High pressure cleaner cold water/Electric motor/HD 9/20-4m (1.524-400.0)/Spare parts list high-pressure 9/20-4M \*/20 Pump set/21 Cylinder head



## 21 Cylinder head

Overview technical documents/Professional/High pressure cleaner cold water/Electric motor/HD 9/20-4m (1.524-400.0)/Spare parts list high-pressure 9/20-4M \*/20 Pump set/21 Cylinder head

Rez.daļas/nodil.pakļ.daļas	Poz.	Materiāla Nr.	Nosaukums	Daudzums	Pārdoš. vienība	no sēr. Nr..	līdz sēr. Nr.
X-X	1	6.362-686.0	Gredzenblīve 20,0 X 3,0	3.000	ST	0000000000	0000000000
	2	5.427-307.0	Cauruļvads	1.000	ST	0000000000	0000000000
X-X	3	6.362-579.0	Gredzenblīve 17,5 X 3,5	2.000	ST	0000000000	0000000000
	4	5.110-341.0	Sleeve	2.000	ST	0000000000	0000000000
	6	6.303-153.0	Screw M5x15-ST-R2R (IN6RD)	1.000	ST	0000000000	0000000000
X-X	7	5.427-298.0	Īsais cauruļvads	1.000	ST	0000000000	0000000000
	8	7.306-043.0	Cil. galvas skr. M8x30 -8.8-A2E ISO	4.000	ST	0000000000	0000000000
	9	6.362-528.0	Gredzenblīve 9,5 X 2,0	1.000	ST	0000000000	0000000000
	10	5.411-168.0	Valve screw M16x1	1.000	ST	0000000000	0000000000
X-X	11	4.423-024.0	Pressure gauge from 4.422-011.0	1.000	ST	0000000000	0000000000
X-X	12	2.883-988.0	SPARE PARTS SET	1.000	ST	0000000000	0000000000
	13	5.034-494.0	Retaining bracket	1.000	ST	0000000000	0000000000
X-X	14	4.744-242.0	Switch kpl. -nur für Ersatz-	1.000	ST	0000000000	0000000000
	15	5.411-152.0	Screw plug	1.000	ST	0000000000	0000000000
	16	6.362-384.0	Gredzenblīve 9x1,5 - NBR 70	1.000	ST	0000000000	0000000000
X-X	17	4.550-945.0	Cylinder head from 5.550-325.0	1.000	ST	0000000000	0000000000
X-X	18	6.362-481.0	Gredzenblīve 14,0 x 2,0 NBR 80	4.000	ST	0000000000	0000000000
	19	5.583-146.0	Vārsta skrūve	3.000	ST	0000000000	0000000000
X-X	20	4.580-594.0	Valve complete	1.000	ST	0000000000	0000000000
X-X	21	5.411-166.0	Vītņu tapa	1.000	ST	0000000000	0000000000
	22	6.362-690.0	Gredzenblīve 7x2 - NBR 70	1.000	ST	0000000000	0000000000
	23	5.411-070.0	Vītņtapa	1.000	ST	0000000000	0000000000
	24	5.443-624.0	Nipelis	1.000	ST	0000000000	0000000000
	25	6.362-113.0	Gredzenblīve 6,0 x 2,0 NBR 70	1.000	ST	0000000000	0000000000
	26	6.362-175.0	Gredzenblīve 5,28x 1,78	1.000	ST	0000000000	0000000000

## 21 Cylinder head

Overview technical documents/Professional/High pressure cleaner cold water/Electric motor/HD 9/20-4m (1.524-400.0)/Spare parts list high-pressure 9/20-4M \*/20 Pump set/21 Cylinder head

Rez.daļas/nodil.pakļ.daļas	Poz.	Materiāla Nr.	Nosaukums	Daudzums	Pārdoš. vienība	no sēr. Nr..	līdz sēr. Nr.
	27	7.401-908.0	Sfēra 7 G300 -1.4301 DIN 5401	1.000	ST	0000000000	0000000000
	28	5.332-258.0	Spirālveida atspere	1.000	ST	0000000000	0000000000
	29	2.884-853.0	Spare part set nozzle insert	1.000	ST	0000000000	0000000000
X	30	4.769-026.0	Nozzle insert	1.000	ST	0000000000	0000000000
X-X	31	4.481-226.0	Valve seat complete HD7/18	1.000	ST	0000000000	0000000000
X-X	32	2.884-512.0	Valve (3 Stueck)	2.000	ST	0000000000	0000000000
X-X	33	6.362-547.0	Gredzenblīve 20,0x1,5-NBR 70	3.000	ST	0000000000	0000000000
	34	5.583-177.0	Vārsta skrūve M20x1	3.000	ST	0000000000	0000000000
	35	6.362-388.0	Gredzenblīve 8,0x1,5 -EPDM 70	1.000	ST	0000000000	0000000000
X-X	36	6.362-575.0	Gredzenblīve 12,42 KOMPL	1.000	ST	0000000000	0000000000
X-X	37	4.591-056.0	Set excess-current	1.000	ST	0000000000	0000000000
X-X	38	6.362-365.0	Blīve, pilns kpl. 1ST.-R.- 7,65X 1,7	1.000	ST	0000000000	0000000000
	39	7.311-510.0	Hexagon nut M 8-8-A2E ISO 7040	1.000	ST	0000000000	0000000000
	40	4.427-310.0	Manifold complete	1.000	ST	0000000000	0000000000
X	41	6.414-141.0	Sieta filtrs	1.000	ST	0000000000	0000000000
	42	6.362-161.0	Gredzenblīve 19,3 X 2,4	1.000	ST	0000000000	0000000000
	43	5.443-291.0	Caurules nipelis	1.000	ST	0000000000	0000000000
	44	5.310-076.0	Uzgrieznis	1.000	ST	0000000000	0000000000
	45	6.362-381.0	Gredzenblīve 13x2 - NBR 70	1.000	ST	0000000000	0000000000
	46	5.605-348.0	Filtra korpuss	1.000	ST		
	47	6.414-949.0	Filtrējošais elements (nomaināmais)	1.000	ST		
X	48	5.363-613.0	Blīve	1.000	ST		
X	49	5.064-453.0	Cover qusty grey	1.000	ST		