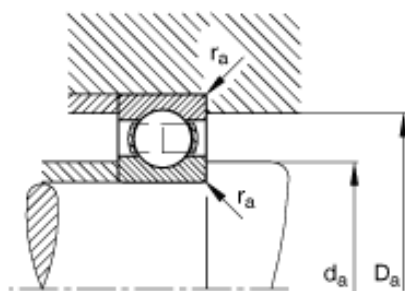
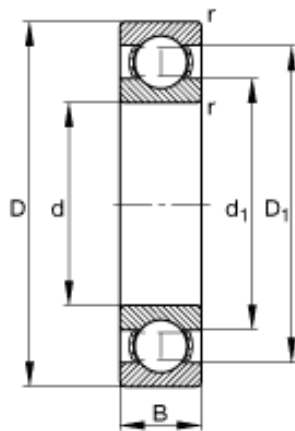


# Deep groove ball bearings 625

main dimensions to DIN 625-1

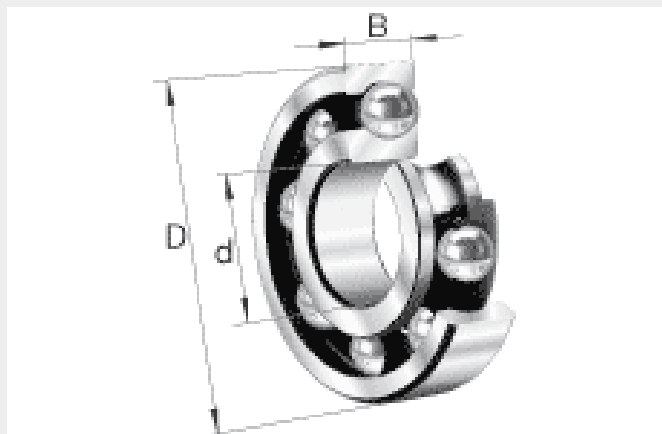


<b>d</b>	5 mm
<b>D</b>	16 mm
<b>B</b>	5 mm
<b>D<sub>1</sub></b>	12,5 mm
<b>D<sub>a max</sub></b>	13,6 mm
<b>d<sub>1</sub></b>	8,5 mm
<b>d<sub>a min</sub></b>	7,4 mm
<b>r<sub>a max</sub></b>	0,3 mm
<b>r<sub>min</sub></b>	0,3 mm

<b>m</b>	0,0050 kg	Mass
<b>C<sub>r</sub></b>	1560 N	Basic dynamic load rating, radial
<b>C<sub>0r</sub></b>	600 N	Basic static load rating, radial
<b>n<sub>G</sub></b>	63000 1/min	Limiting speed
<b>n<sub>B</sub></b>	36500 1/min	Reference speed
<b>C<sub>ur</sub></b>	30,5 N	Fatigue limit load, radial

# Deep groove ball bearings 62

main dimensions to DIN 625-1



	d mm	D mm	B mm
<b>623</b>	3	10	4
<b>624</b>	4	13	5
<b>625</b>	5	16	5
<b>626</b>	6	19	6
<b>627</b>	7	22	7
<b>629</b>	9	26	8
<b>6200</b>	10	30	9
<b>6201</b>	12	32	10
<b>6202</b>	15	35	11
<b>6203</b>	17	40	12
<b>6204</b>	20	47	14
<b>6205</b>	25	52	15
<b>6206</b>	30	62	16
<b>6207</b>	35	72	17
<b>6208</b>	40	80	18
<b>6209</b>	45	85	19
<b>6210</b>	50	90	20
<b>6211</b>	55	100	21
<b>6212</b>	60	110	22
<b>6213</b>	65	120	23