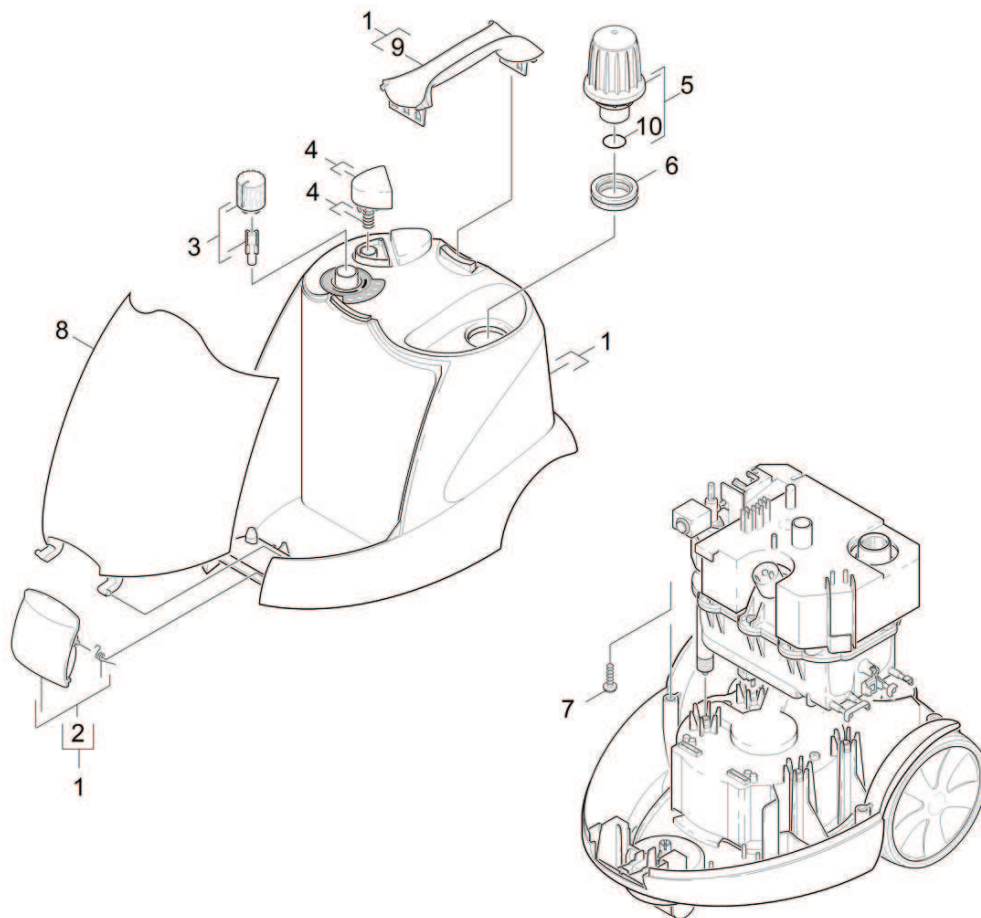


## 11 Appliance top part

Home and Garden \ Steamer \ SC 1502 \*CH \ Spare parts list SC 1502 \ Individual parts \ Appliance top part

**KÄRCHER**



## 11 Appliance top part

Home and Garden \ Steamer \ SC 1502 \*CH \ Spare parts list SC 1502 \ Individual parts \ Appliance top part

**KÄRCHER**

POS	Article no.	Description	Quantity	Unit
3	4.321-163.0	Button complete only for replacement	1.000	ST
8	4.063-760.0	Cover accessory shed	1.000	ST
2	4.063-757.0	Covering cap complete	1.000	ST
9	5.321-700.0	Handhold	1.000	ST
1	4.060-548.0	Housing kit SC 1502	1.000	ST
10	6.362-927.0	O-Ring seal 21,89X 2,62 -EPDM	1.000	ST
4	4.324-014.0	Pushbutton completely	1.000	ST
5	4.590-093.0	Safety lock 3/4"-0,7MPa (7bar)	1.000	ST
7	7.303-108.0	Screw 5x20 -10.9-R2R (In6Rd)	6.000	ST
6	5.363-380.0	Seal	1.000	ST