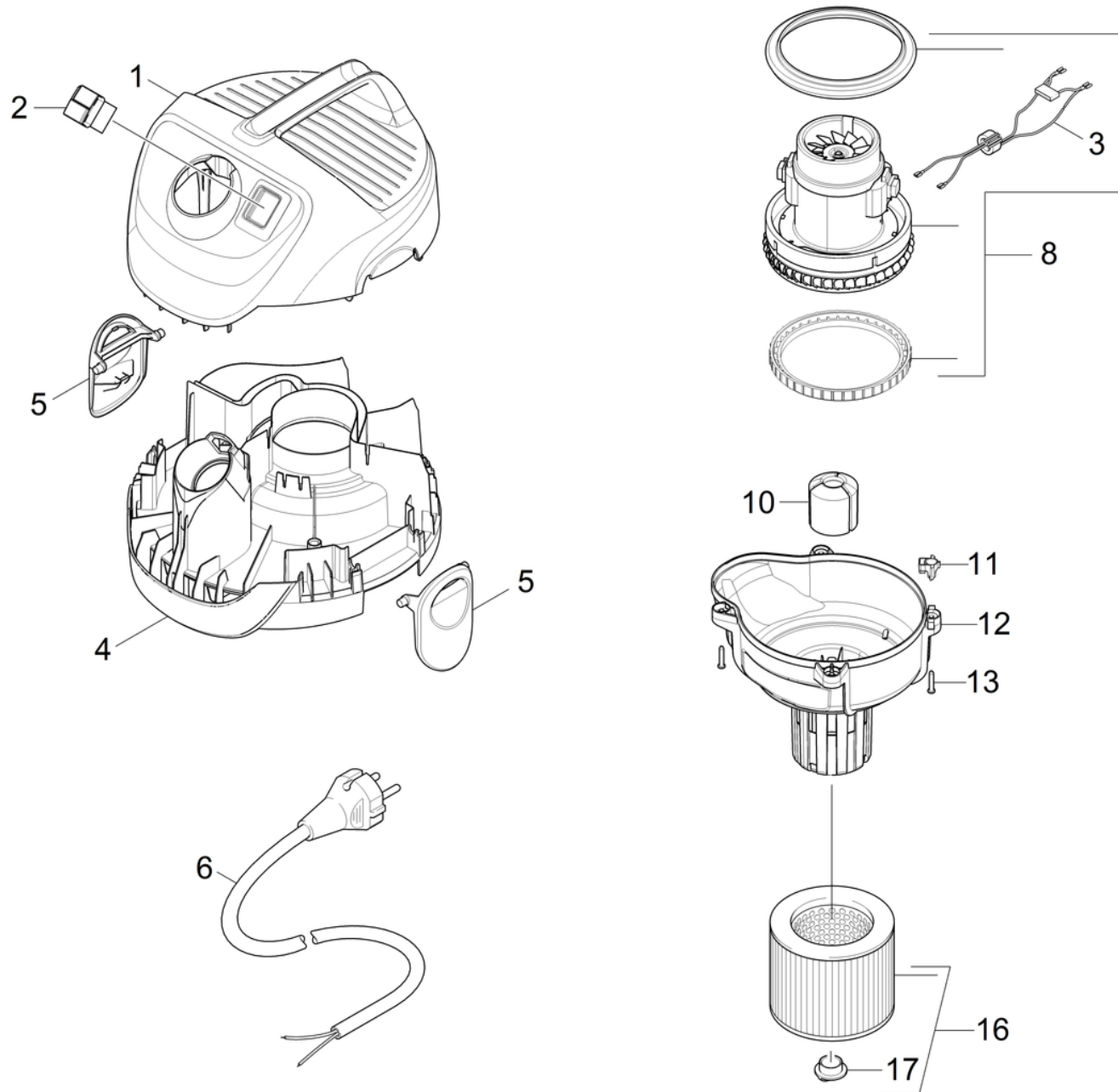


10 Appliance individual parts

Home and Garden \ Vacuum cleaner \ Wet-/Dry vacuum cleanerwet \ WD 2 Home *EU-II \ Appliance individual parts



10 Appliance individual parts

Home and Garden \ Vacuum cleaner \ Wet-/Dry vacuum cleanerwet \ WD 2 Home *EU-II \ Appliance individual parts

KÄRCHER

POS	Article no.	Description	Quantity	Unit	Remark
6	6.647-996.0	Cable with plug *EU Cable with plug	1	PC	*EU
16	2.863-303.0	Cartridge filter WD/SE	1	PC	
5	5.075-033.0	Closure	2	PC	
17	4.075-012.0	Closure complete	1	PC	
1	5.069-312.0	Cover neutrally WD 2 / WD 2.XXX	1	PC	
12	5.731-647.0	Filtering basket	1	PC	
10	5.628-013.3	Floater	1	PC	
4	5.053-184.0	Motor bracket	1	PC	
11	5.034-734.0	Retaining bracket	1	PC	
13	6.303-150.0	Screw 4,2x 22	4	PC	
3	2.884-253.0	Set cable ferrite ring	1	PC	
2	6.630-087.3	Switch	1	PC	
8	4.490-000.0	Vacuum motor complete for replacement Cu	1	PC	