

Spare parts list

(1.367-308.0) HD 9/20-4 *KAP

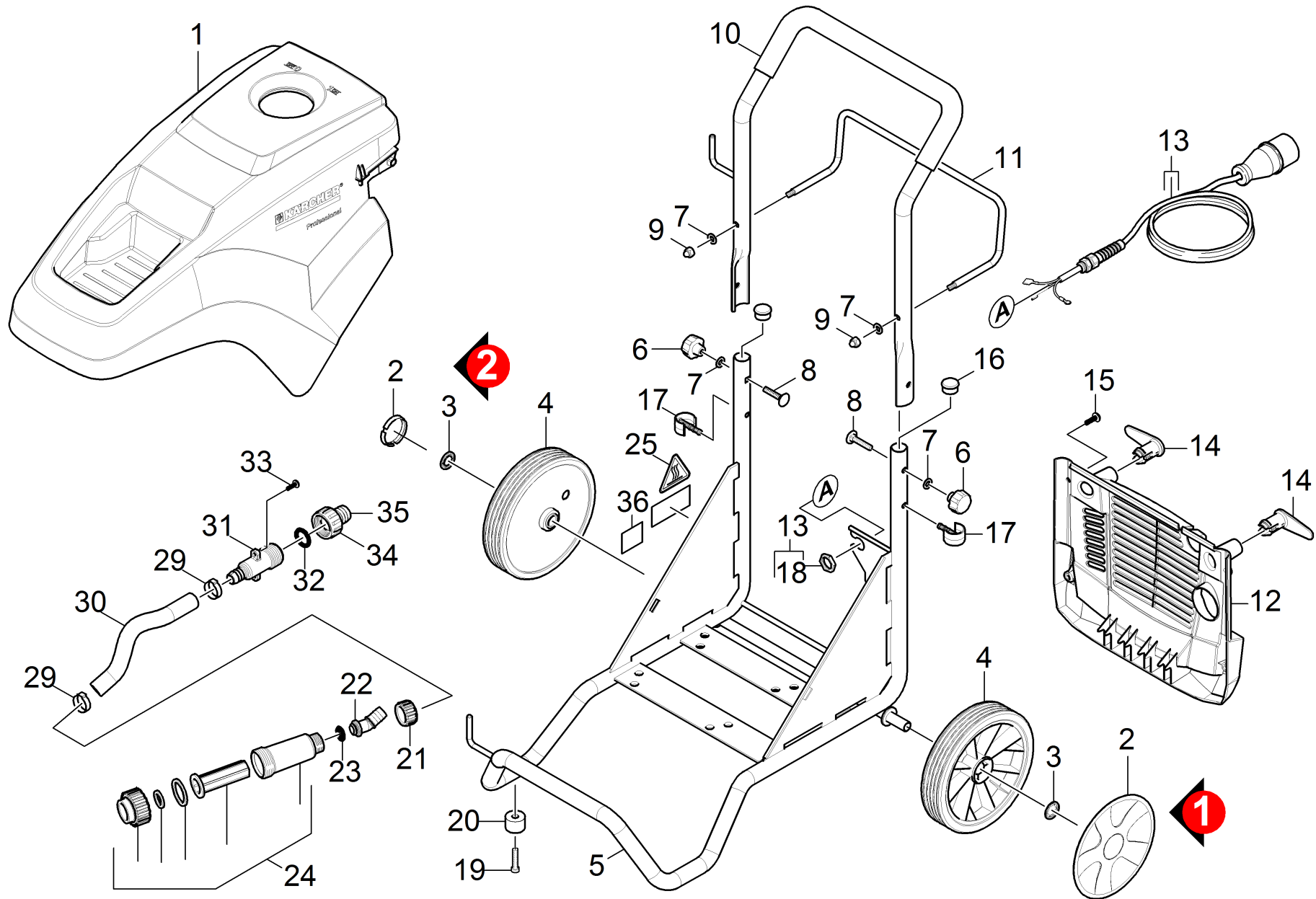
Table of contents

HD 9/20-4 *KAP (1.367-308.0)	3
Spare parts list HD 9/20-4 (9.761-326.0)	4
10 Frame	5
20 Pump set	8
21 Cylinder head	9
13 Valve seat complete only for replacement (9.751-028.0)	11
26 Cylinder head pressure switch only for r (9.751-085.0)	13
1 Valve seat complete only for replacement (9.751-028.0)	15
22 Transmission	17
Pump set only for replacement HD 9/20 (9.751-078.0)	19
1 Pump set HD 9/20 (9.751-058.0)	21
30 Motor	23
40 Electric box	25
50 Accessories	27
51 Hand trigger gun	28
52 Rotating coupler	30
53 High pressure hose	32
1 HD hose DN8 20m (9.751-088.0)	34
2 HD hose DN8 10m (9.751-087.0)	36
54 Jet pipe	38
55 Power nozzle	40
1 Power nozzle 25047 (2.883-894.0)	42

POS	Article no.	Description	Quantity	Unit
0	9.761-326.0	Spare parts list HD 9/20-4	1	PC

Spare parts list HD 9/20-4 (9.761-326.0)

POS	Description	Quantity	Unit
10	Frame	1	PC
20	Pump set	1	PC
30	Motor	1	PC
40	Electric box	1	PC
50	Accessories	1	PC



10 Frame

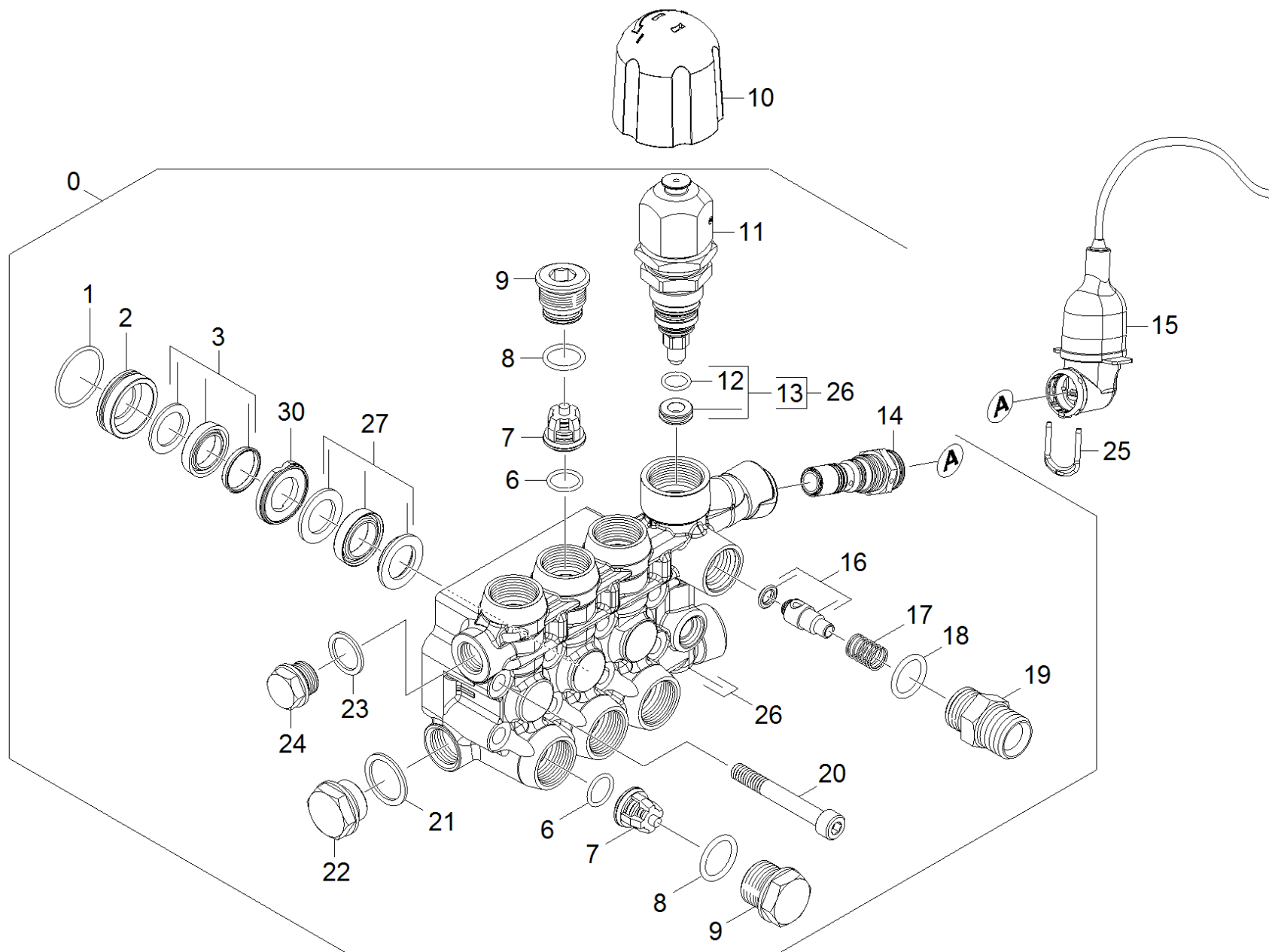
POS	Article no.	Description	Quantity	Unit	Remark	Foot note text
1	9.761-288.0	Cover Kaercher Professional	1	PC		
2	4.515-347.0	Set wheel caps only for replacement	1	PC	Ø200mm	VERSION 1
2	9.763-331.0	Wheel D 180 cap	2	PC	Ø180mm	VERSION 2
3	9.761-044.0	Lock washer 6.343-168.0	2	PC		
4	6.435-662.0	Wheel D200	2	PC	Ø200mm	VERSION 1
4	9.763-272.0	Wheel D180	2	PC	Ø180mm	VERSION 2
5	9.751-023.0	Frame	1	PC		
6	9.761-216.0	Star grip	2	PC		
7	7.312-004.0	Washer 8 -200HV-A3E ISO 7089	4	PC		
8	7.303-186.0	Saucer-head screw M8x40 -St-A0P DIN 603	2	PC		
9	7.311-620.0	Cap nut M8 -A2 DIN 986	2	PC		
10	9.751-007.0	Hand grip complete	1	PC		
11	9.761-117.0	Hose hanger	1	PC		
12	9.761-136.0	Rear panel	1	PC		
13	9.761-305.0	Cable with plug *CN	1	PC		
14	9.761-086.0	Catch for cable 5.044-661.0	2	PC		
15	7.303-046.0	Screw M6x12 -St-R3R (In6Rd)	4	PC		
16	9.761-208.0	Drain plug	2	PC		
17	9.761-135.0	Socket pin	2	PC		
18	6.648-416.0	Locknut black M20	1	PC		
19	9.761-041.0	Rubber buffer 6.339-007.0	2	PC		
20	9.761-038.0	Self-tapping screw M6x30	2	PC		
21	5.310-062.0	Nut	1	PC		
22	9.761-186.0	Hose stem 30°	1	PC		
23	9.761-045.0	O-Ring seal 13,3x2,4	1	PC		
24	4.730-168.3	Water filter complete	1	PC		
25	6.643-943.0	Warning sign hot	1	PC		
29	9.761-213.0	Hose clip	2	PC		
30	6.388-719.0	Hose DN17	1	m		
31	9.761-019.0	Manifold	1	PC		
32	9.761-049.0	O-Ring seal 19,3x2,4	1	PC		
33	9.761-037.0	Screw 6,0x20-ST-A2R	2	PC		

10 Frame

POS	Article no.	Description	Quantity	Unit	Remark	Foot note text
34	5.310-076.0	Nut	1	PC		
35	5.443-291.0	Hose stem	1	PC		
36	5.387-620.0	Warning sticker-Prevent from freezing	1	PC		

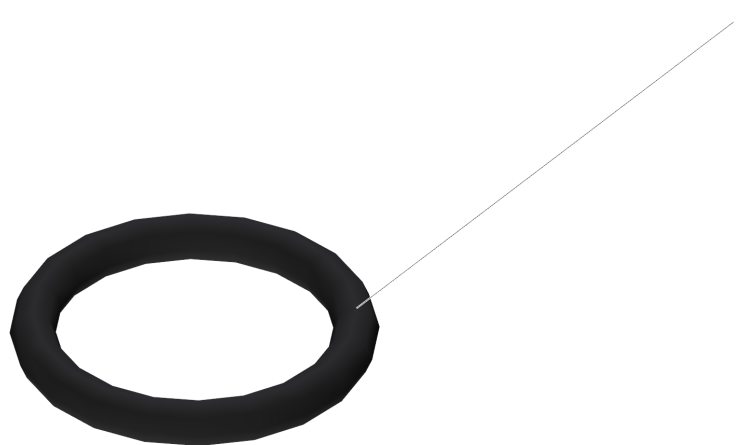
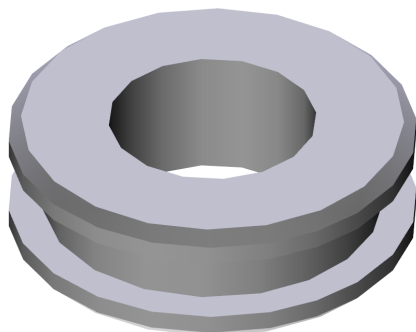
20 Pump set

POS	Description	Quantity	Unit
21	Cylinder head	1	PC
22	Transmission	1	PC



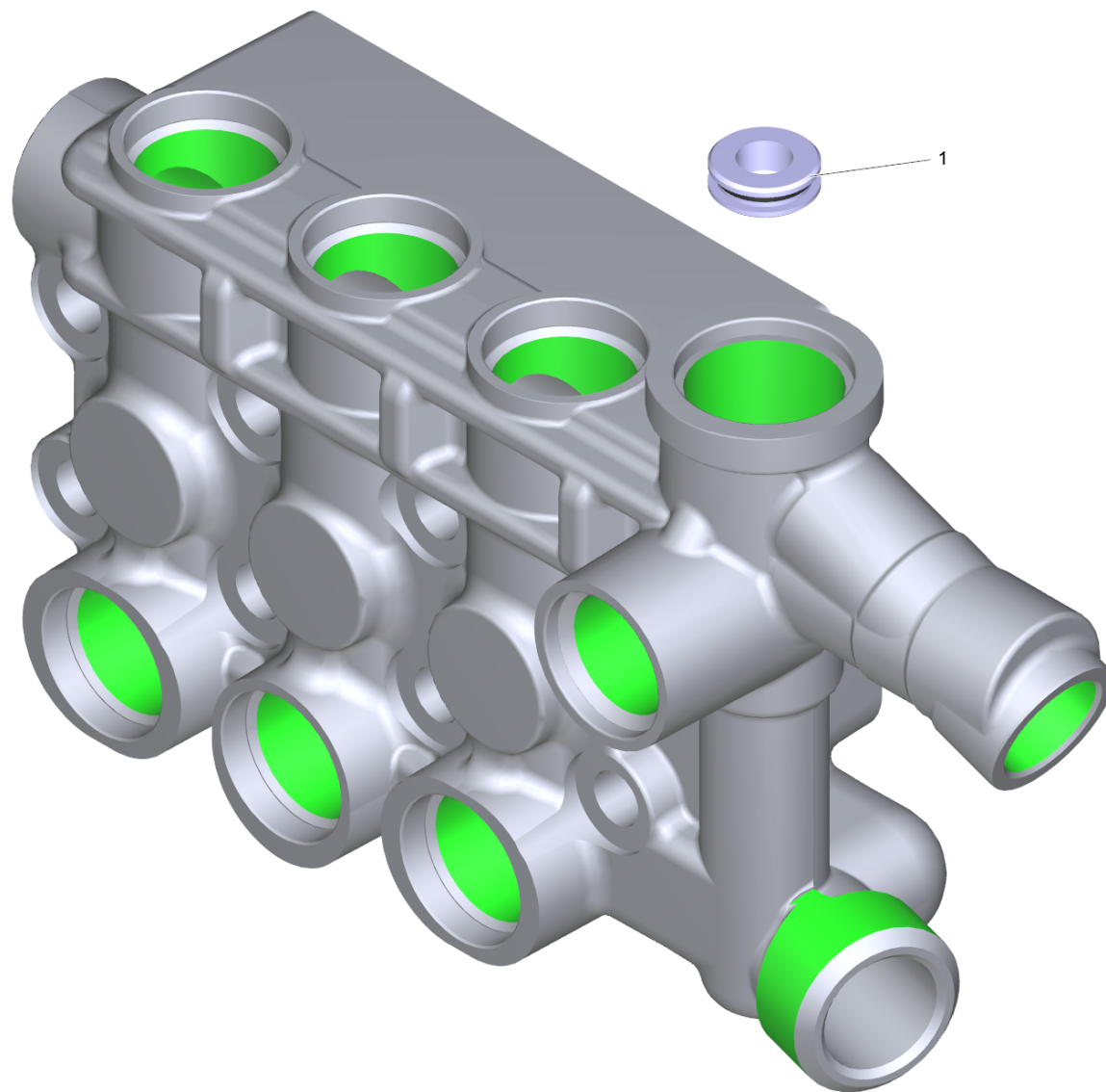
21 Cylinder head

POS	Article no.	Description	Quantity	Unit
0	9.751-081.0	Cylinder head pressure switch only for r	1	PC
1	9.761-107.0	O-Ring seal 28.30 x 1.78	3	PC
2	9.761-075.0	Seat D 18x26	3	PC
3	9.761-108.0	ND seal D 18	3	PC
6	9.761-104.0	O-Ring seal D 15.54x2.62	6	PC
7	9.751-004.0	Valve complete	6	PC
8	9.760-107.0	O-Ring seal 16 x 2 - NBR 80 (9.081-406)	6	PC
9	9.761-319.0	Valve screw inside hexagon M24x1.5	6	PC
10	9.761-237.0	Handle	1	PC
11	9.751-084.0	Excess-current complete only for replace	1	PC
12	9.761-099.0	O-Ring seal 12.42x1.78	1	PC
13	9.751-028.0	Valve seat complete only for replacement	1	PC
14	9.751-030.0	Pressure switch complete only for replac	1	PC
15	9.751-064.0	Switch complete *CN	1	PC
16	9.751-027.0	Piston complete only for replacement	1	PC
17	9.761-064.0	Pressure spring	1	PC
18	9.761-004.0	O-Ring seal 17.13 x 2.62	1	PC
19	9.761-052.0	Screw plug	1	PC
20	7.306-047.0	Cylinder head screw M8x60 -8.8-A2E ISO4	8	PC
21	9.761-105.0	Seal G 1/2"	1	PC
22	9.761-067.0	Drain plug G 1/2"	1	PC
23	9.761-007.0	Joint ring G 3/8"	1	PC
24	9.761-057.0	Drain plug G 3/8"	1	PC
25	5.034-494.0	Retaining bracket	1	PC
26	9.751-085.0	Cylinder head pressure switch only for r	1	PC
27	9.761-106.0	HD seal D 18	3	PC
30	9.761-056.0	Washer D 18 x 28	3	PC



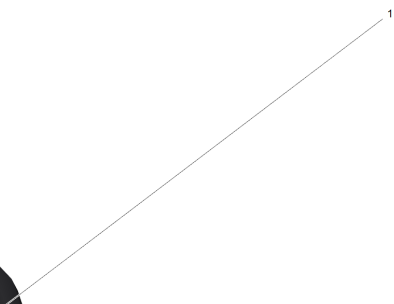
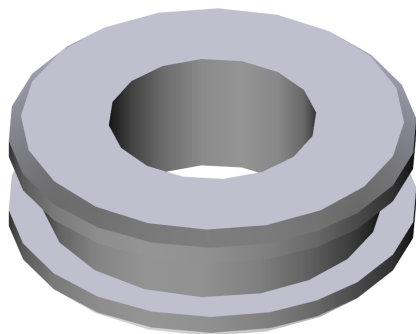
13 Valve seat complete only for replacement (9.751-028.0)

POS	Article no.	Description	Quantity	Unit
1	9.761-099.0	O-Ring seal 12.42x1.78	1	PC



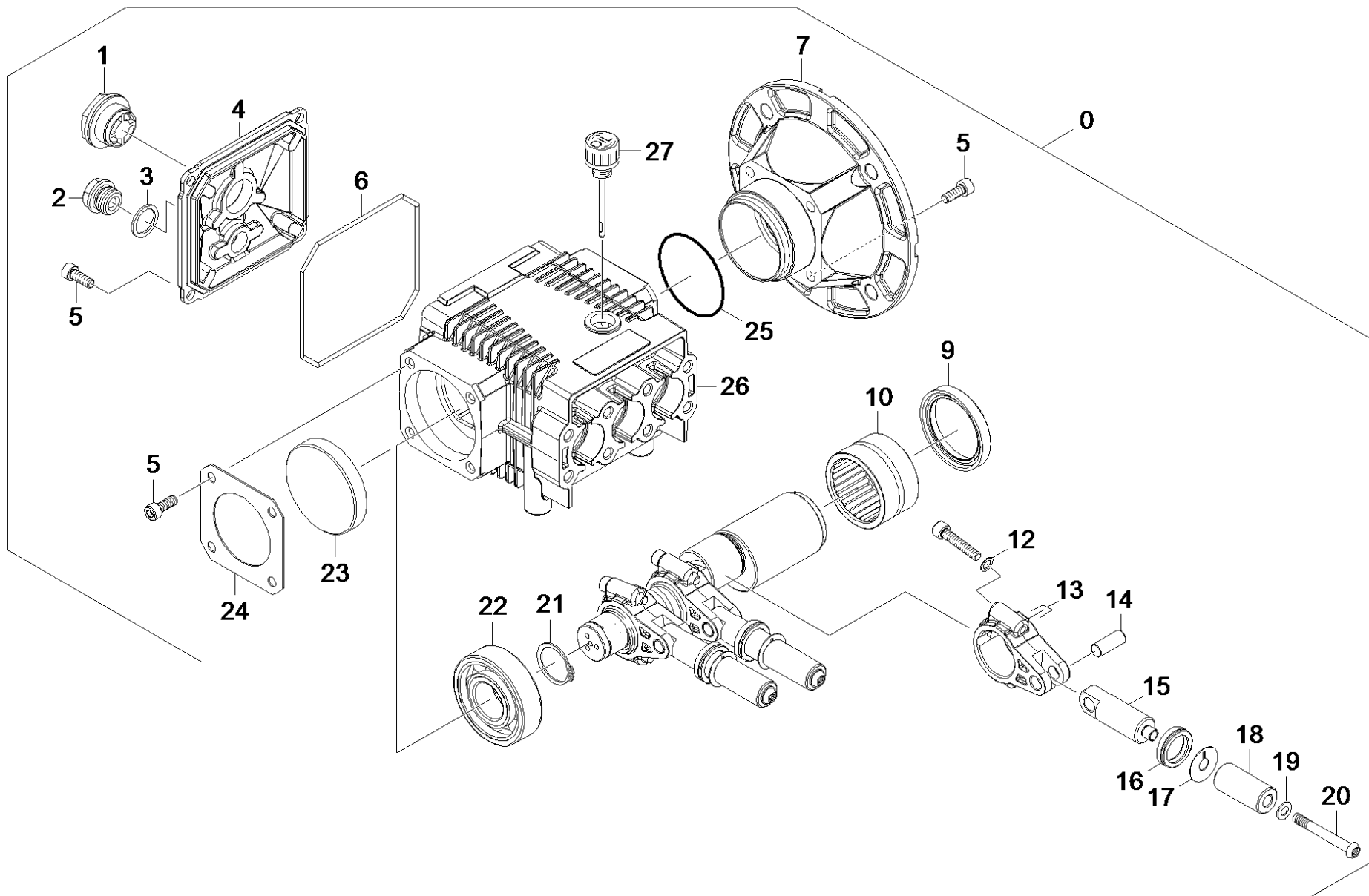
26 Cylinder head pressure switch only for r (9.751-085.0)

POS	Article no.	Description	Quantity	Unit
1	9.751-028.0	Valve seat complete only for replacement	1	PC



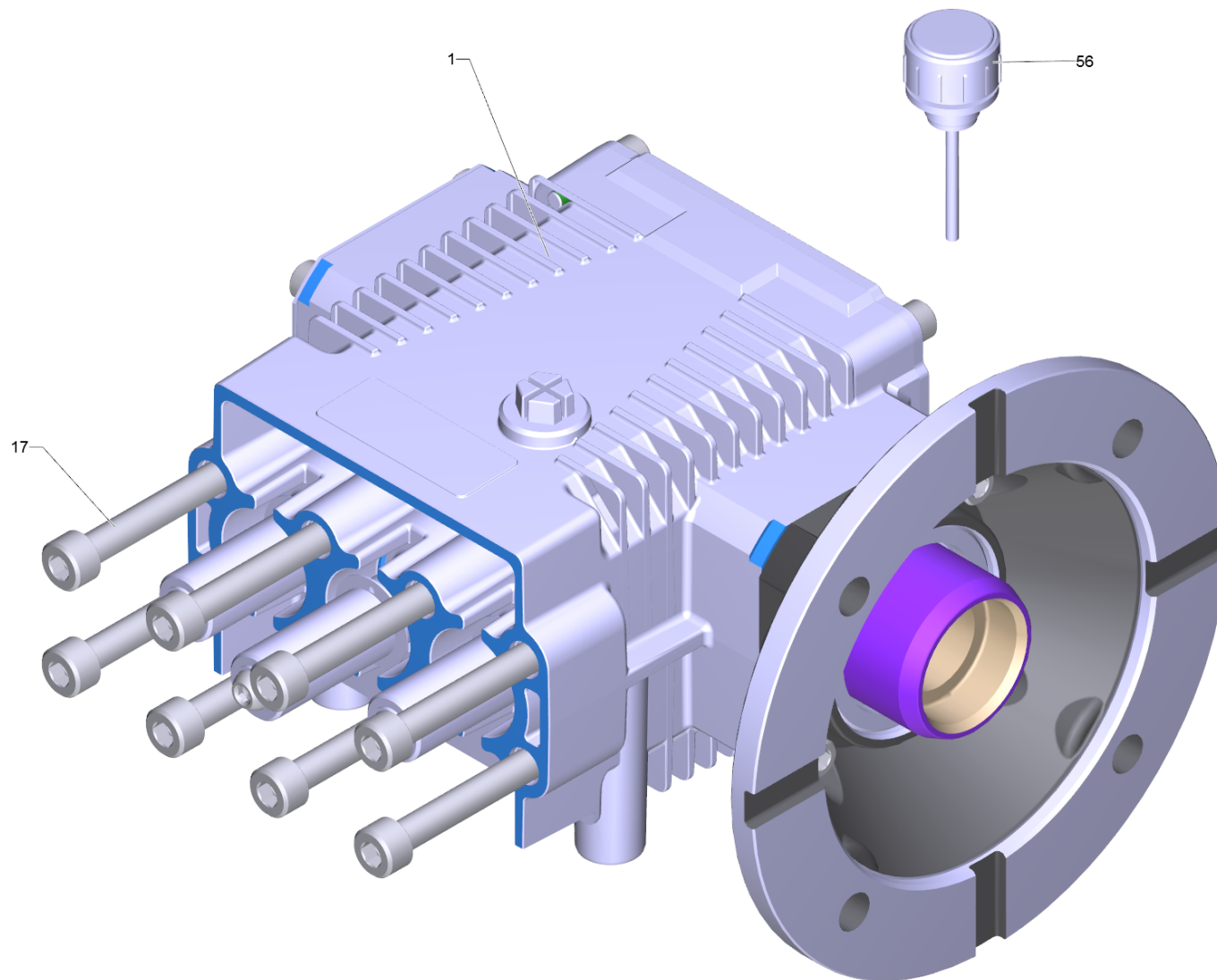
1 Valve seat complete only for replacement (9.751-028.0)

POS	Article no.	Description	Quantity	Unit
1	9.761-099.0	O-Ring seal 12.42x1.78	1	PC



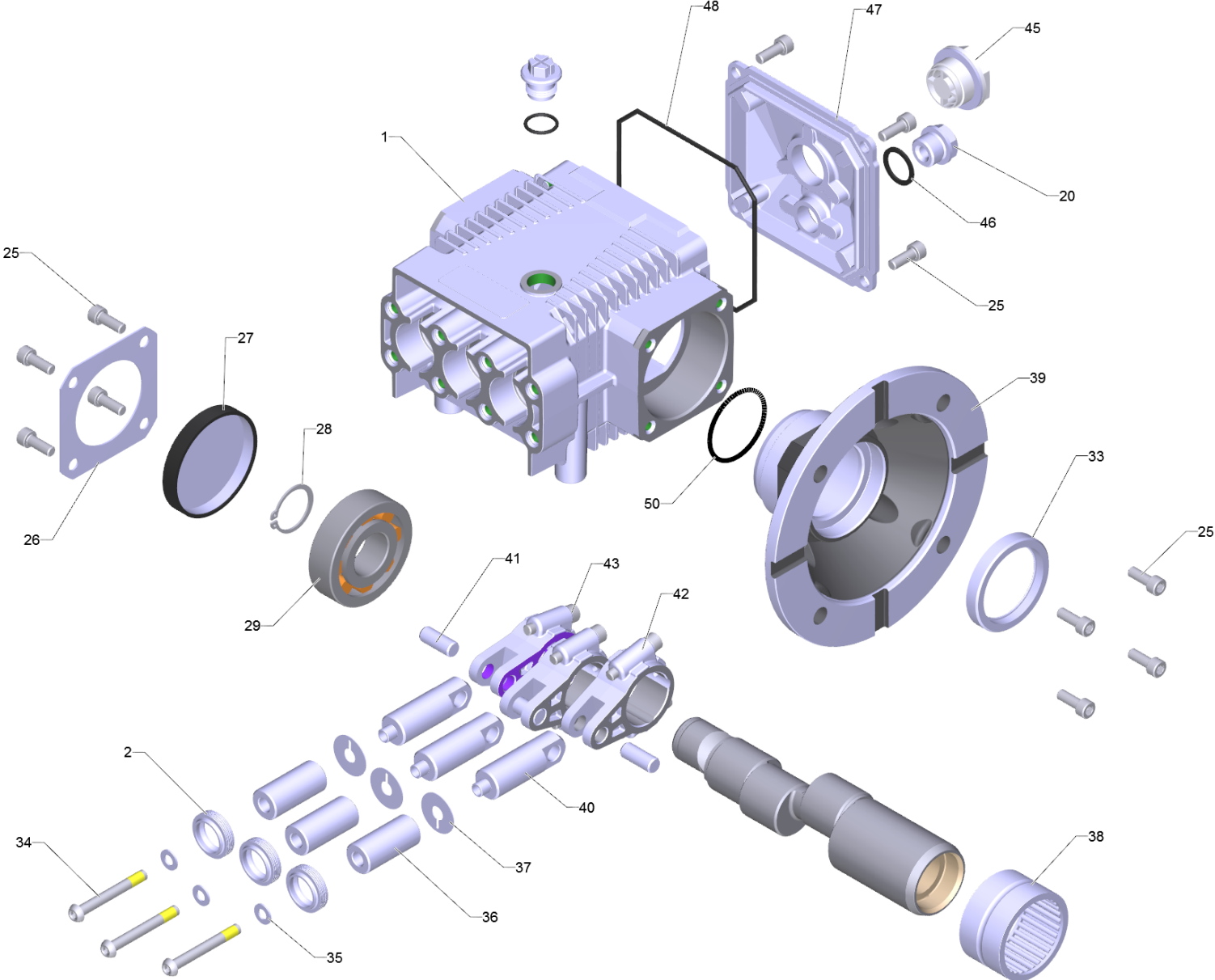
22 Transmission

POS	Article no.	Description	Quantity	Unit
0	9.751-078.0	Pump set only for replacement HD 9/20	1	PC
1	9.761-093.0	Oil inspection glass G3/4"	1	PC
2	9.761-057.0	Drain plug G 3/8"	1	PC
3	9.761-007.0	Joint ring G 3/8"	1	PC
4	9.761-120.0	Cover worked	1	PC
5	7.306-020.0	Cylinder head screw M 6x16-8.8-A2E DIN	12	PC
6	9.761-081.0	O-Ring seal D 2.62x107	1	PC
7	9.761-140.0	Flange worked	1	PC
9	9.761-137.0	Joint ring W 42x55x8	1	PC
10	9.761-138.0	Needle bearing	1	PC
12	9.761-207.0	Lock washer	6	PC
13	9.751-008.0	Piston rod complete	3	PC
14	9.761-077.0	Pin	3	PC
15	9.761-279.0	Connecting rod	3	PC
16	6.365-334.0	Grooved ring 18X26X6/8	3	PC
17	9.761-078.0	Washer D 9.3 x 24	3	PC
18	9.761-071.0	Sleeve D 18	3	PC
19	9.761-177.0	Joint ring	3	PC
20	9.761-174.0	Pan head screw with Scotchgrip	3	PC
21	7.343-008.0	Locking ring 25x1,2-St-vz DIN 471	1	PC
22	7.401-353.0	Roller bearing NUP 305-Waelz.St. DIN 541	1	PC
23	9.761-118.0	Covering cap bearing	1	PC
24	9.761-073.0	Plate covering cap	1	PC
25	9.761-180.0	O-Ring seal D 55.56x3.55	1	PC
26	9.761-278.0	Housing worked	1	PC
27	9.761-022.0	Oil level gauge G 3/8"	1	PC



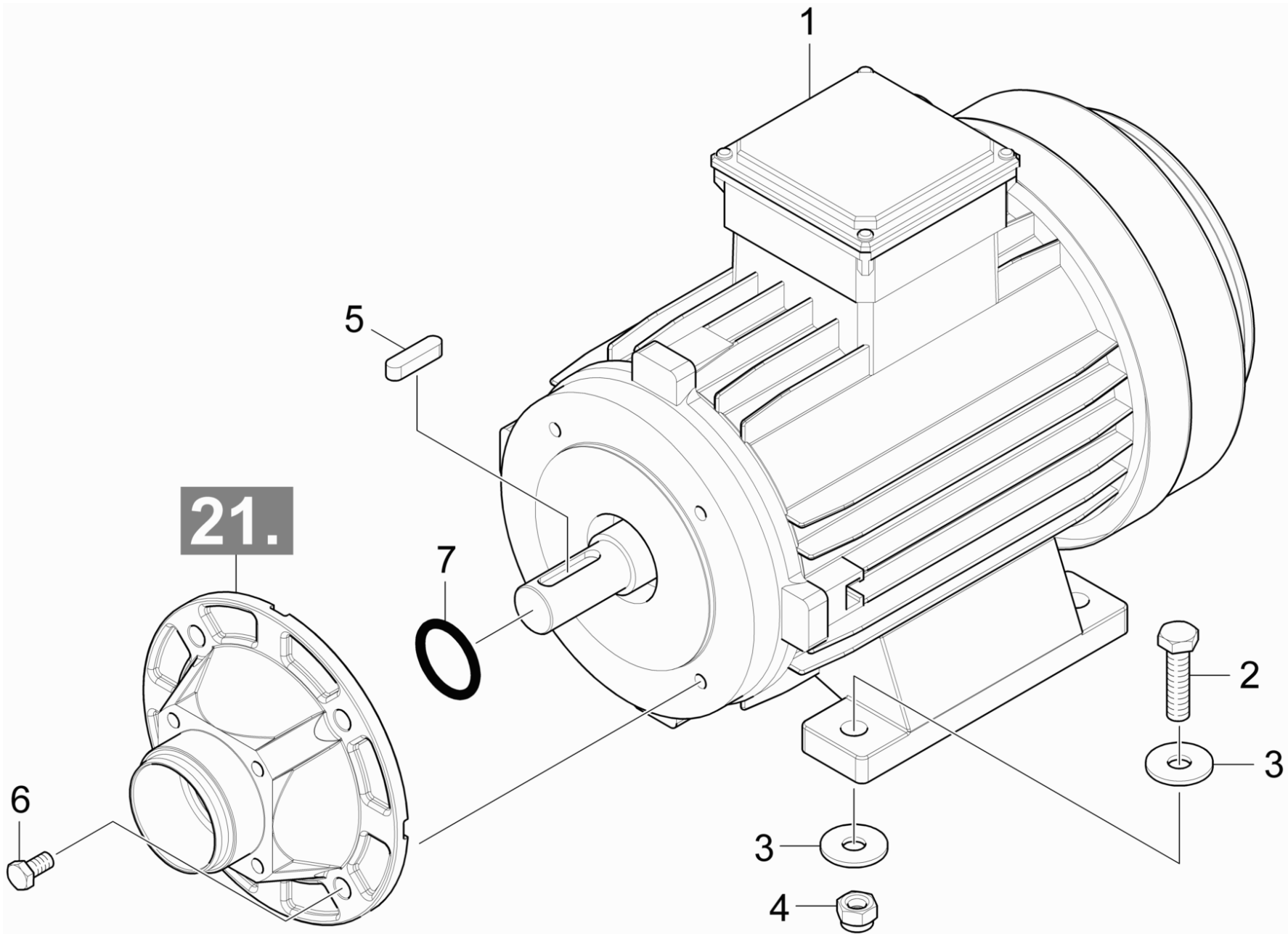
Pump set only for replacement HD 9/20 (9.751-078.0)

POS	Article no.	Description	Quantity	Unit
1	9.751-058.0	Pump set HD 9/20	1	PC
17	7.306-047.0	Cylinder head screw M8x60 -8.8-A2E ISO4	8	PC
56	9.761-022.0	Oil level gauge G 3/8"	1	PC



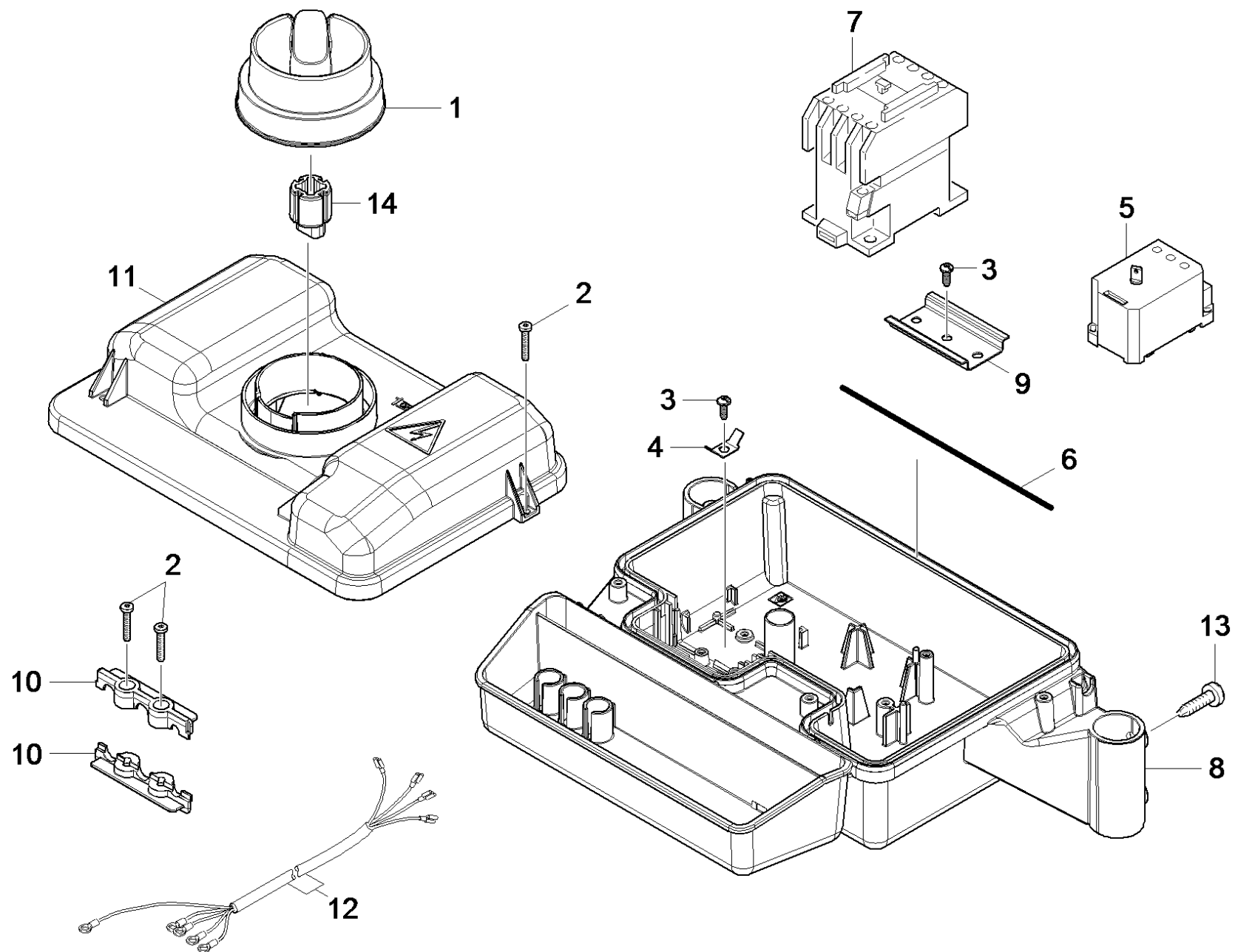
1 Pump set HD 9/20 (9.751-058.0)

POS	Article no.	Description	Quantity	Unit
1	9.761-278.0	Housing worked	1	PC
2	6.365-334.0	Grooved ring 18X26X6/8	3	PC
20	9.761-057.0	Drain plug G 3/8"	1	PC
25	7.306-272.0	Cylinder head screw M6x16-12.9-A2E ISO	12	PC
26	9.761-073.0	Plate covering cap	1	PC
27	9.761-118.0	Covering cap bearing	1	PC
28	7.343-008.0	Locking ring 25x1,2-St-vz DIN 471	1	PC
29	7.401-353.0	Roller bearing NUP 305-Waelz.St. DIN 541	1	PC
33	9.761-137.0	Joint ring W 42x55x8	1	PC
34	9.761-174.0	Pan head screw with Scotchgrip	3	PC
35	9.761-177.0	Joint ring	3	PC
36	9.761-071.0	Sleeve D 18	3	PC
37	9.761-078.0	Washer D 9.3 x 24	3	PC
38	9.761-138.0	Needle bearing	1	PC
39	9.761-140.0	Flange worked	1	PC
40	9.761-279.0	Connecting rod	3	PC
41	9.761-077.0	Pin	3	PC
42	9.751-008.0	Piston rod complete	3	PC
43	9.761-207.0	Lock washer	6	PC
45	9.761-093.0	Oil inspection glass G3/4"	1	PC
46	9.761-007.0	Joint ring G 3/8"	1	PC
47	9.761-120.0	Cover worked	1	PC
48	9.761-081.0	O-Ring seal D 2.62x107	1	PC
50	9.761-180.0	O-Ring seal D 55.56x3.55	1	PC
55	6.288-050.0	Engine oil 1L	1	PC



30 Motor

POS	Article no.	Description	Quantity	Unit
1	9.751-082.0	Motor only for replacement 5,5kW	1	PC
2	7.304-419.0	Hexagonal head screw M10x35-8.8-A3E ISO	2	PC
3	7.312-285.0	Washer 10 -200HV-A2E ISO7093-1	4	PC
4	7.311-511.0	Hexagon nut M10-8-A2E ISO 7040	2	PC
5	7.318-039.0	Parallel key 8x7x36-C45K DIN 6885	1	PC
6	7.304-397.0	Hexagonal head screw M8x20-8.8-A2E ISO	4	PC
7	6.363-328.0	O-Ring seal 23.16x5.33	1	PC

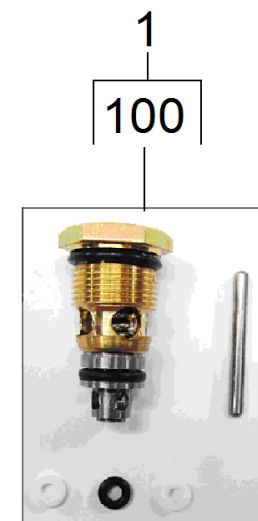
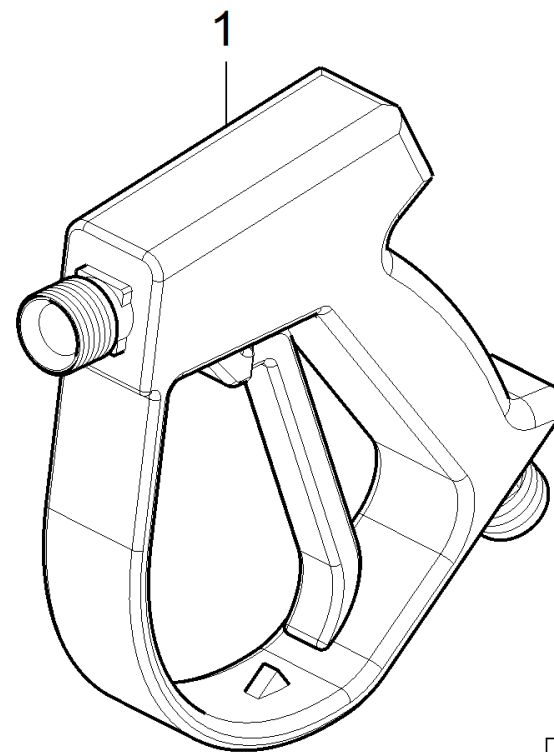
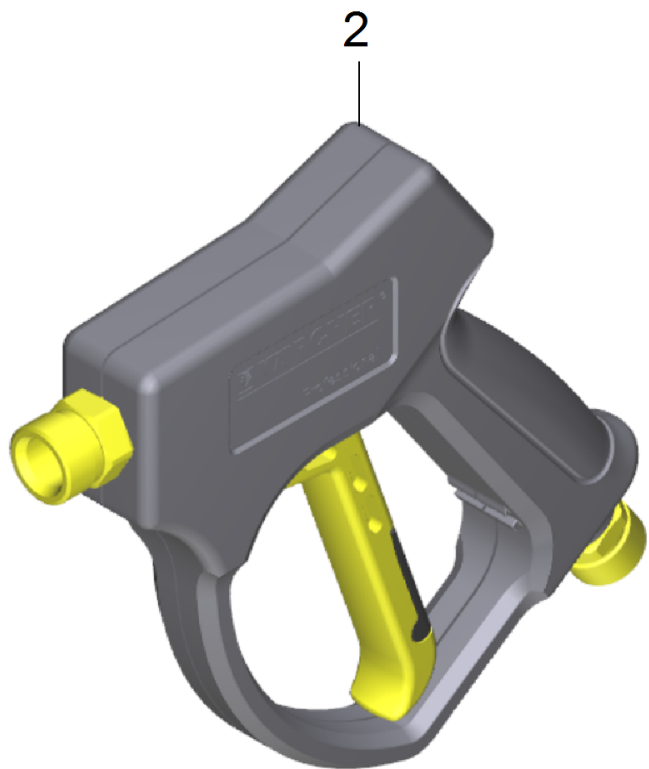


40 Electric box

POS	Article no.	Description	Quantity	Unit
1	9.761-154.0	Handle on/off rocker switch	1	PC
2	7.303-084.0	Screw 4x25 -10.9-R2R (K-In6Rd)	6	PC
3	7.303-106.0	Screw 4x12 -10.9-R2R (IN6RD)	2	PC
4	9.761-199.0	Tab 6.641-270.0	1	PC
5	6.631-190.0	Motor protecting switch	1	PC
6	9.761-242.0	Seal string cellular rubber only for rep	1	PC
7	6.632-414.3	Contacto LC1-D18V7SC090	1	PC
8	9.761-109.0	Bottom part cabinet	1	PC
9	5.802-261.0	Mounting part	1	PC
10	9.761-519.0	Tensioning part 10.0/10.0/7.0	2	PC
11	9.761-161.0	Cover electric box Condor	1	PC
12	9.761-304.0	Connecting cable motor 4 x 1,5 qm	1	PC
13	7.303-046.0	Screw M6x12 -St-R3R (In6Rd)	4	PC
14	9.761-328.0	Adapter handle switch	1	PC

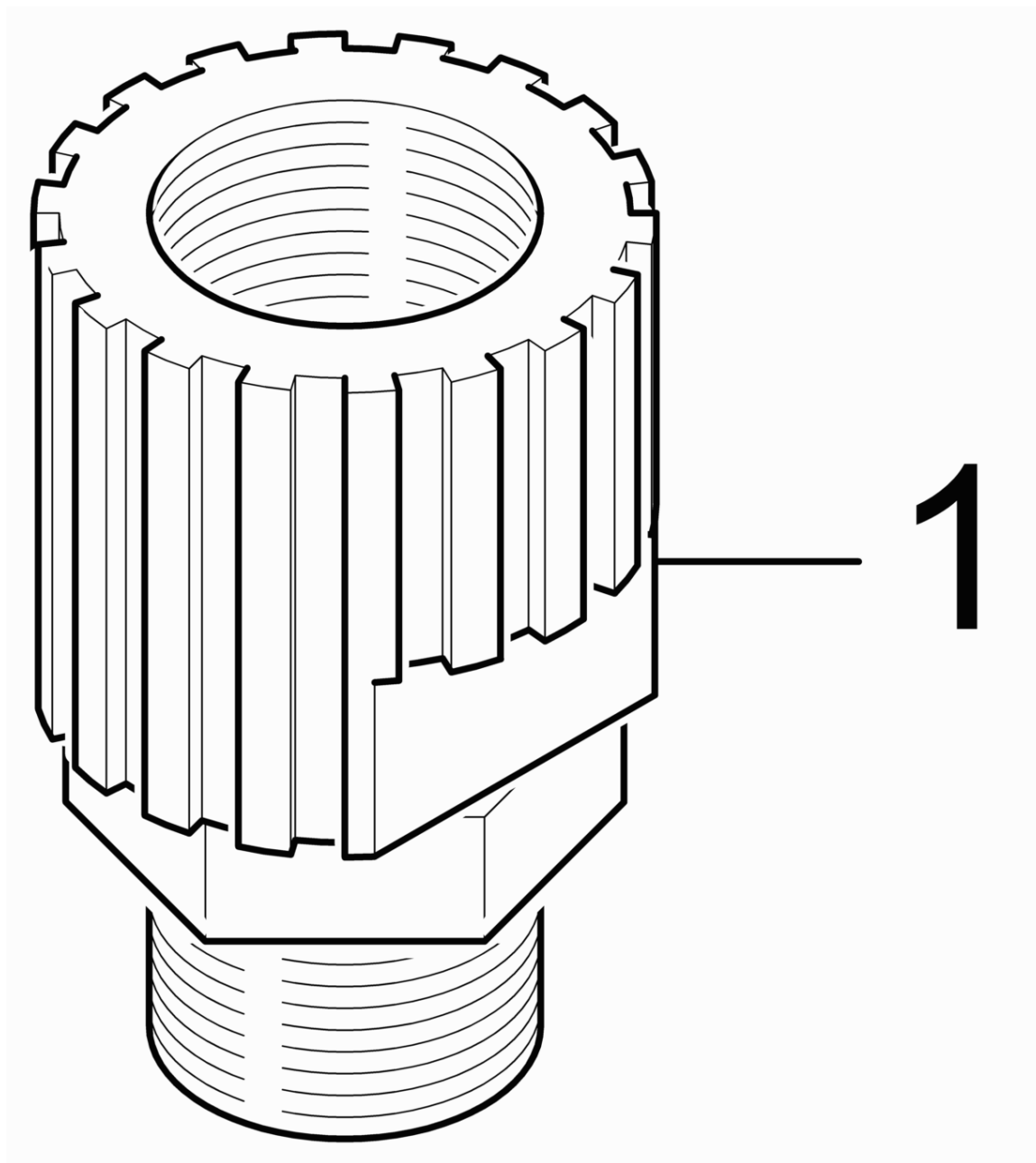
50 Accessories

POS	Description	Quantity	Unit
51	Hand trigger gun	1	PC
52	Rotating coupler	1	PC
53	High pressure hose	1	PC
54	Jet pipe	1	PC
55	Power nozzle	1	PC



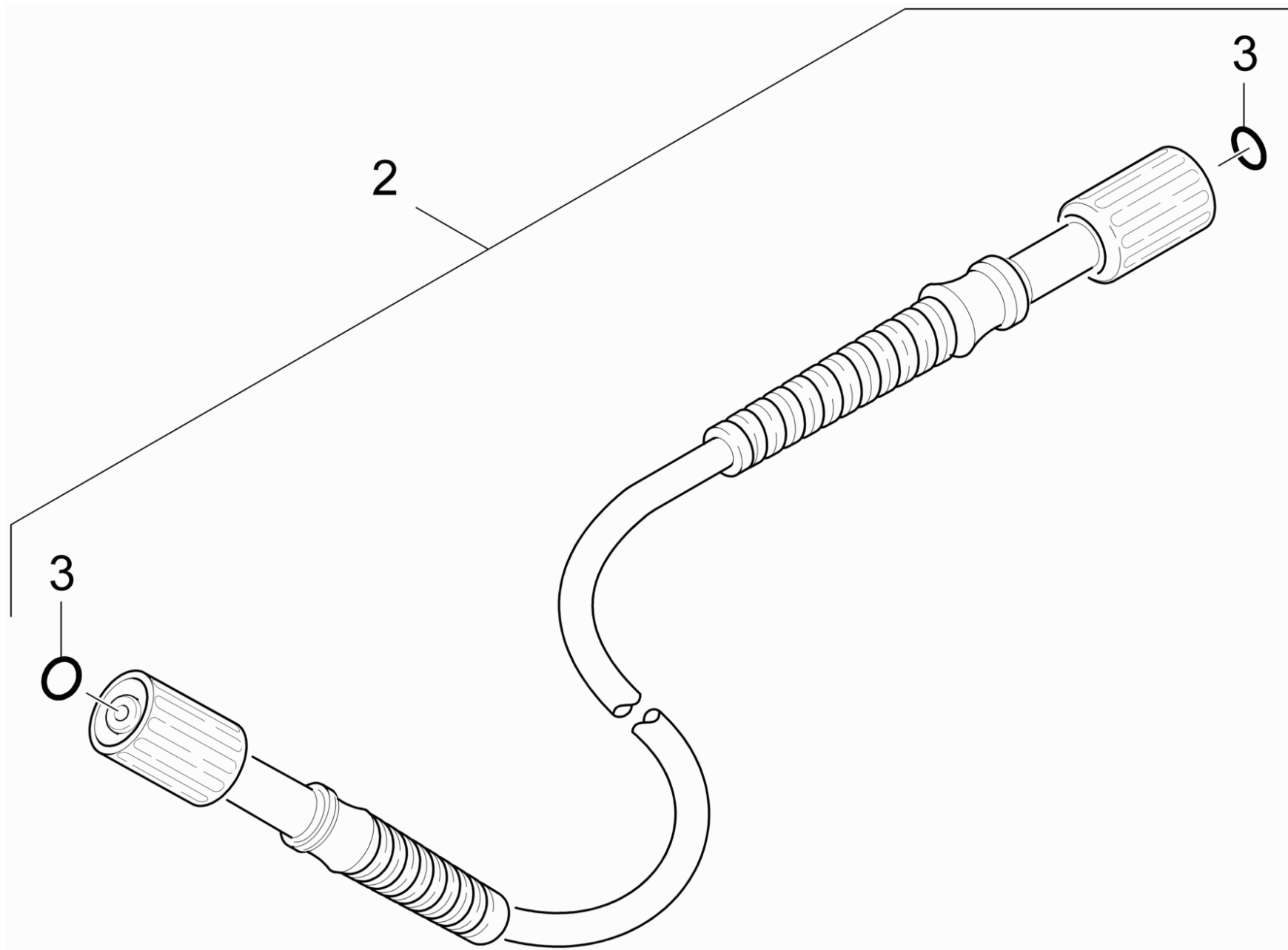
51 Hand trigger gun

POS	Article no.	Description	Quantity	Unit	Foot note text
1	7.777-999.0	Stockpiling discontinued	1	PC	
2	9.751-139.0	Pistol for replacement	1	SET	NEW VERSION
100	7.777-999.0	Stockpiling discontinued	1	PC	



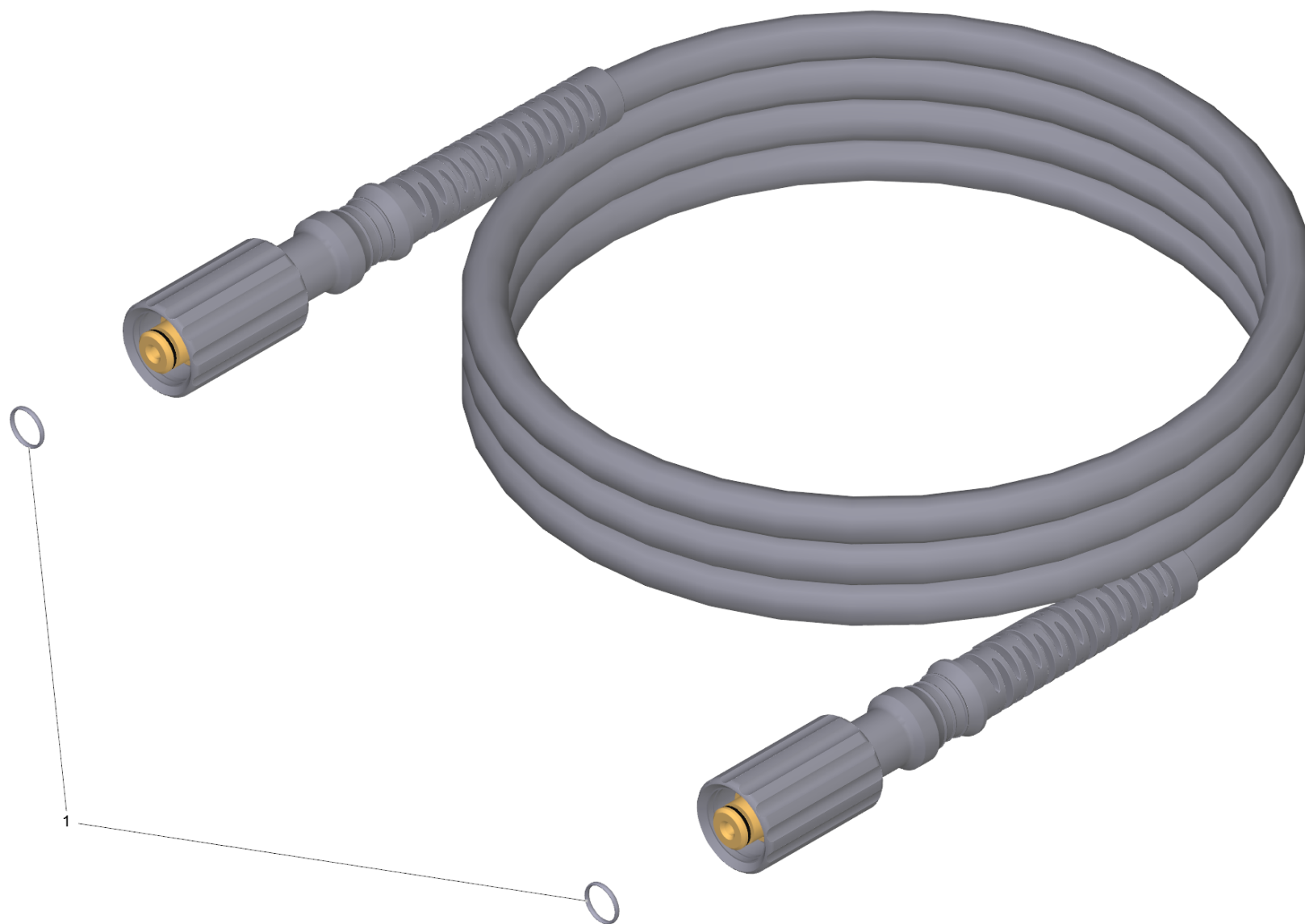
52 Rotating coupler

POS	Article no.	Description	Quantity	Unit
1	6.401-412.0	Rotating coupler	1	PC



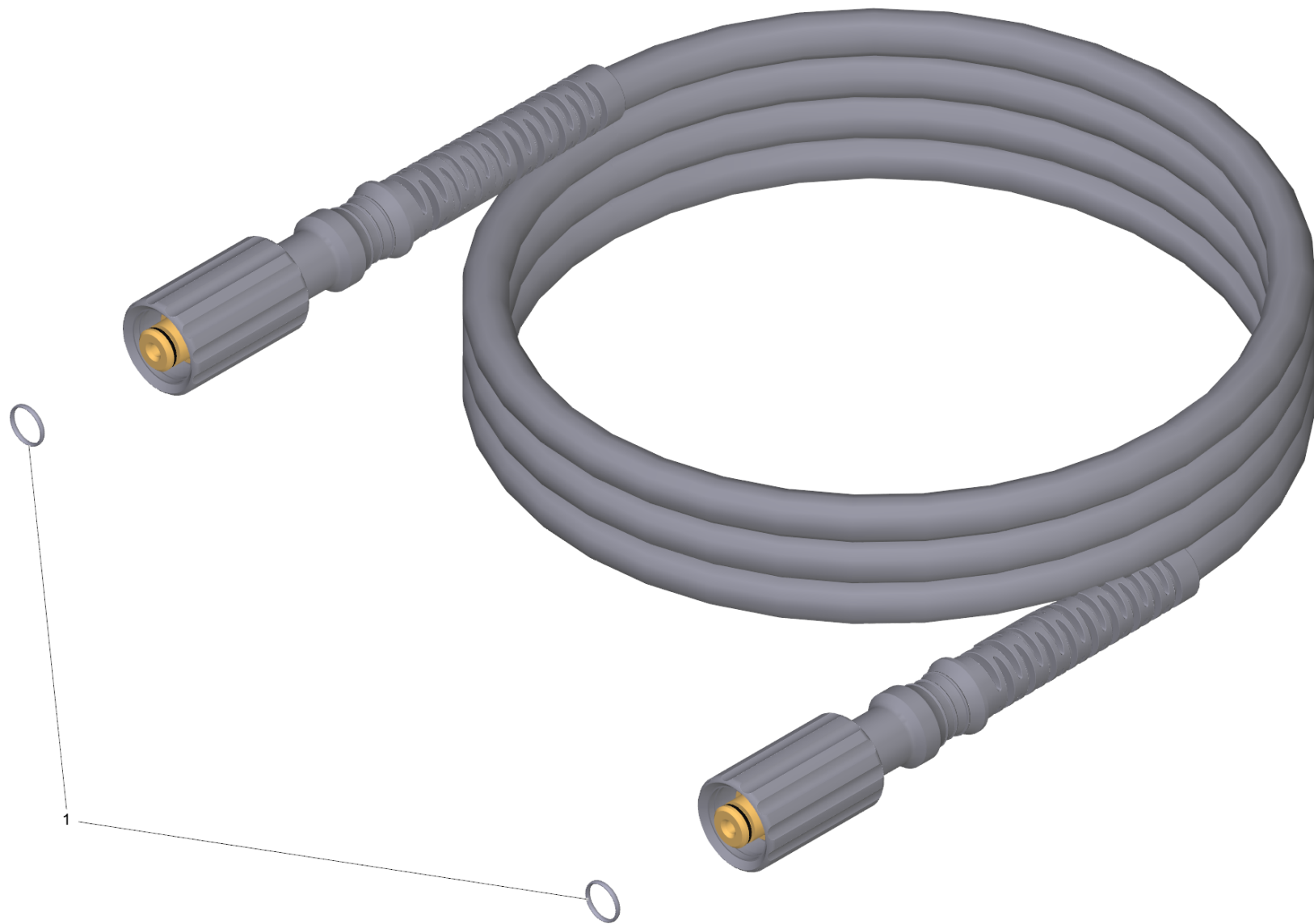
53 High pressure hose

POS	Article no.	Description	Quantity	Unit	Remark
1	9.751-088.0	HD hose DN8 20m	1	PC	20 m
2	9.751-087.0	HD hose DN8 10m	1	PC	10 m
3	2.880-990.0	Spare part set O-Ring 5x -Kaercher	1	PC	



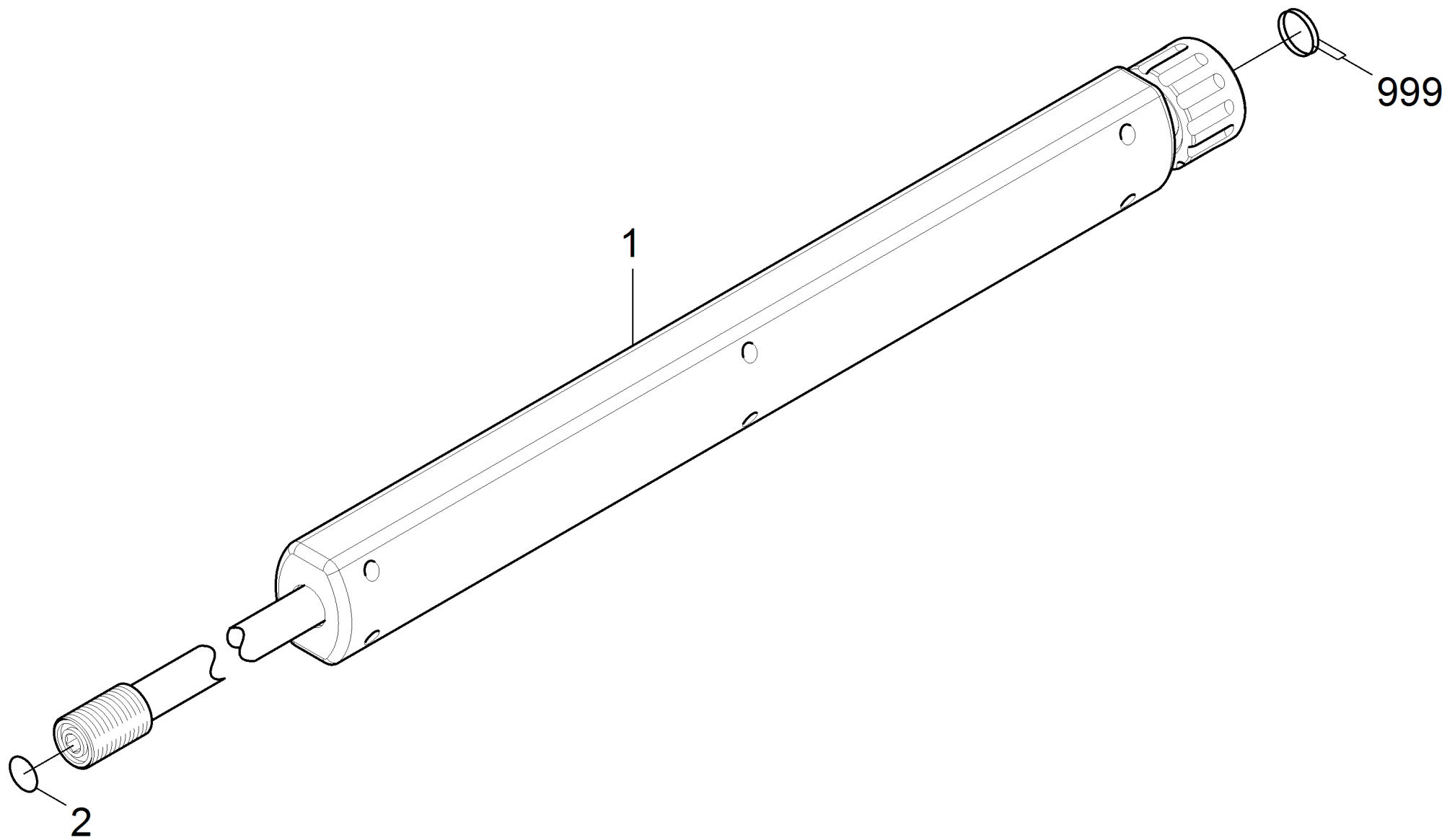
1 HD hose DN8 20m (9.751-088.0)

POS	Article no.	Description	Quantity	Unit
1	2.880-990.0	Spare part set O-Ring 5x -Kaercher	2	PC



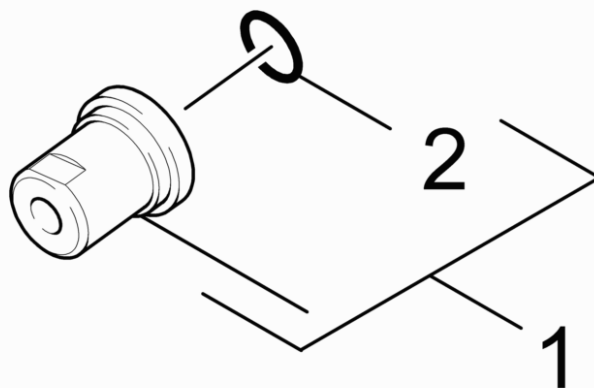
2 HD hose DN8 10m (9.751-087.0)

POS	Article no.	Description	Quantity	Unit
1	2.880-990.0	Spare part set O-Ring 5x -Kaercher	2	PC



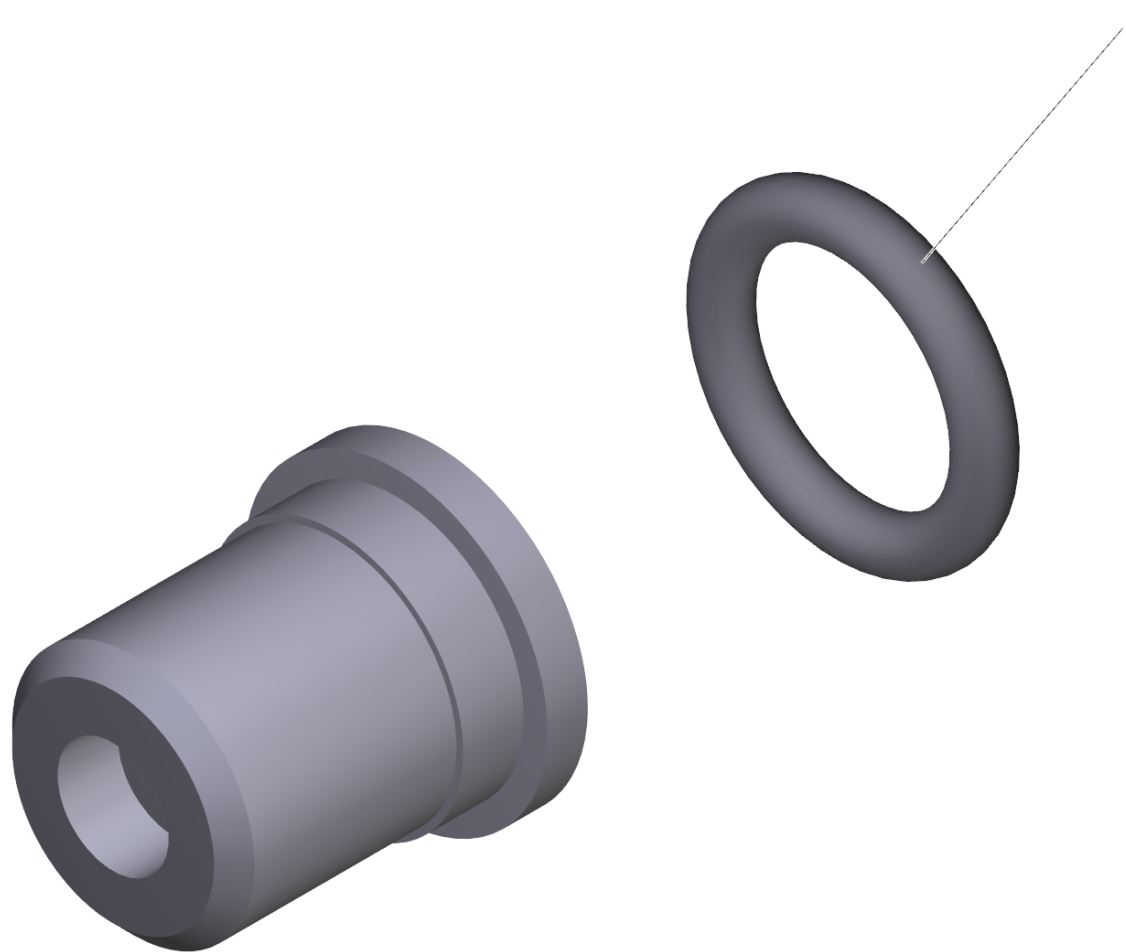
54 Jet pipe

POS	Article no.	Description	Quantity	Unit	Remark
1	9.751-089.0	Jet pipe for replacement 600mm	1	PC	
2	2.880-990.0	Spare part set O-Ring 5x -Kaercher	1	PC	
999	9.751-031.0	Spare part set jet pipe	1	PC	O-Ring cpl.



55 Power nozzle

POS	Article no.	Description	Quantity	Unit
1	2.883-894.0	Power nozzle 25047	1	PC
2	2.880-990.0	Spare part set O-Ring 5x -Kaercher	1	PC



1 Power nozzle 25047 (2.883-894.0)

POS	Article no.	Description	Quantity	Unit
1	2.880-990.0	Spare part set O-Ring 5x -Kaercher	1	PC
