

## **Spare parts list**

(1.520-941.0) HD 5/17 C Plus \*EU

## Table of contents

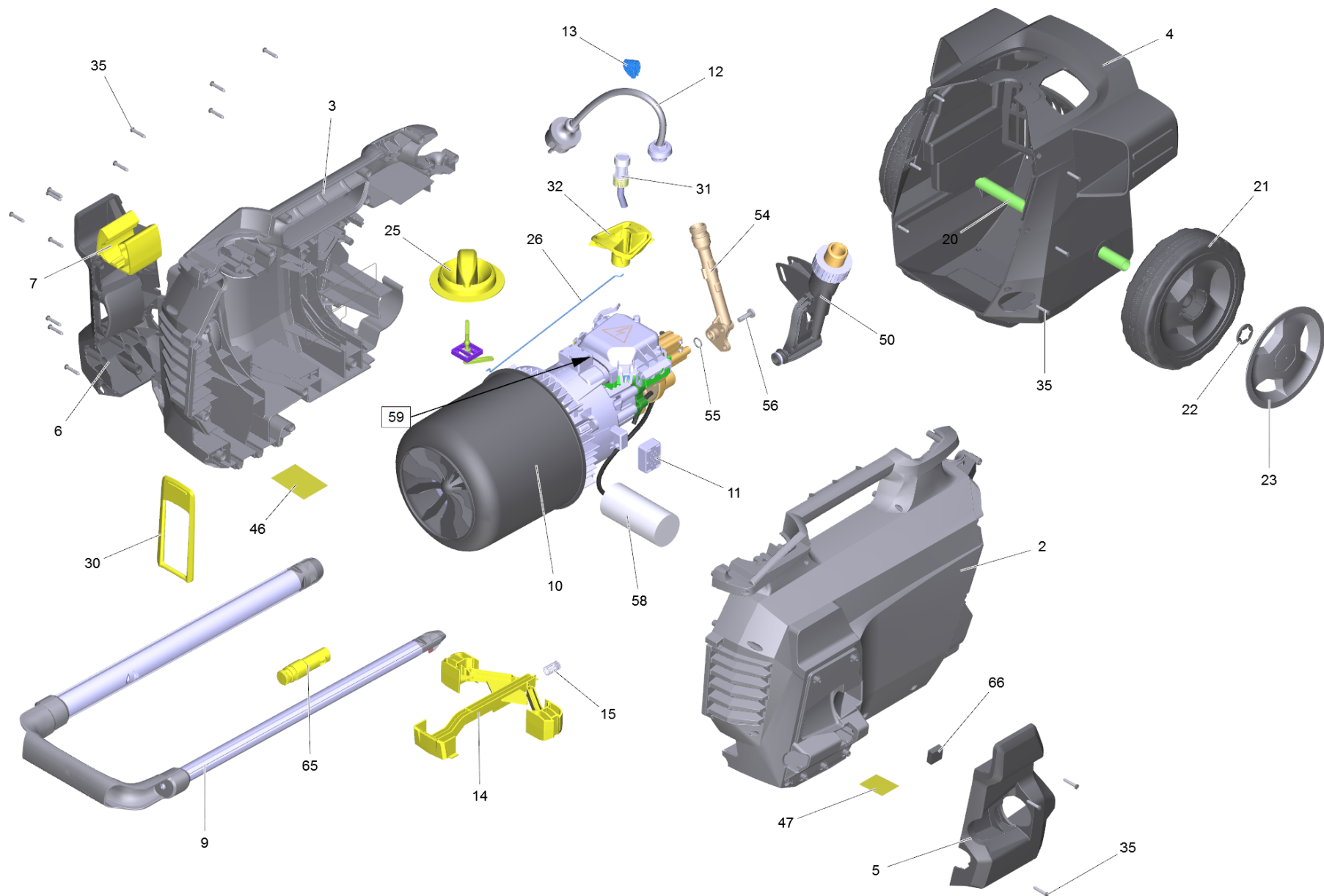
---

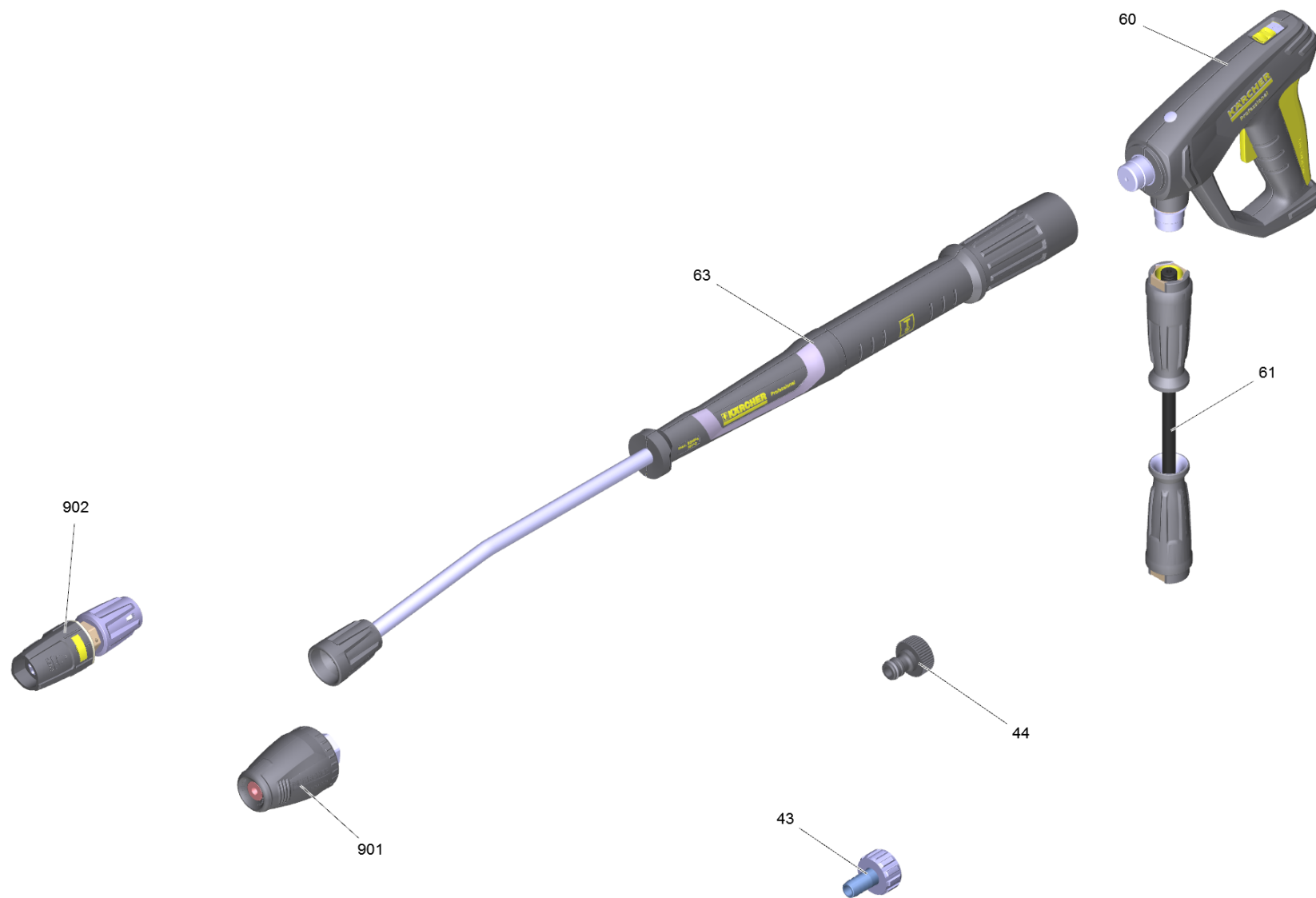
HD 5/17 C Plus *EU (1.520-941.0)	3
Spare parts list high-pressure 5/17 C PL (5.974-229.0)	4
9 Handhold complete	8
10 Pump set complete HD 5/17	10
50 Transmission HD 5/17	12
999 Motor for replacement HD 5/17 (4.624-227.0)	14
51 Pump head complete HD 5/17	16
101 Piston guidance complete	18
115 Piston guidance for replacement (2.060-000.0)	20
102 Cylinder head complete brass (4.550-942.0)	22
103 Control piston complete replacement (2.885-408.0)	24
104 Valve pin complete (4.584-022.0)	27
105 Plug complete (4.580-702.0)	29
114 SPARE PART LIST NOZZLE INS 020/021 PUMP (9.139-372.0)	32
901 Piston guidance for replacement (2.060-000.0)	34
902 Pump set HDC (2.885-377.0)	36
11 Valve pin complete (4.584-022.0)	38
53 Spare parts set electric box complete HD (2.885-375.0)	40
999 Tool (2.901-048.0)	42
12 Cable with plug *EU (6.650-201.0)	44
31 Filter with hose RM 1,05	46
43 Screw connector part (4.401-056.0)	48
50 Water intake complete	50
60 EASY!Force Advanced (4.118-005.0)	52
1 Hand trigger gun TR EH 155	53
9000 Spare part set lever (2.885-483.0)	55
61 Hose assembly TR DN6 25MPa 10m (6.110-034.0)	57
63 Jet pipe TR 840 mm (4.112-006.0)	59
1 Jet pipe TR 840 mm	60
902 Triple jet nozzle TR 027 (4.117-023.0)	62
1 Triple jet nozzle TR 027	63
50 Short spare parts list	65

HD 5/17 C Plus \*EU (1.520-941.0)

---

<b>POS</b>	<b>Article no.</b>	<b>Description</b>	<b>Quantity</b>	<b>Unit</b>
0	5.974-229.0	Spare parts list high-pressure 5/17 C PL	1.000	ST
50		Short spare parts list	1.000	ST



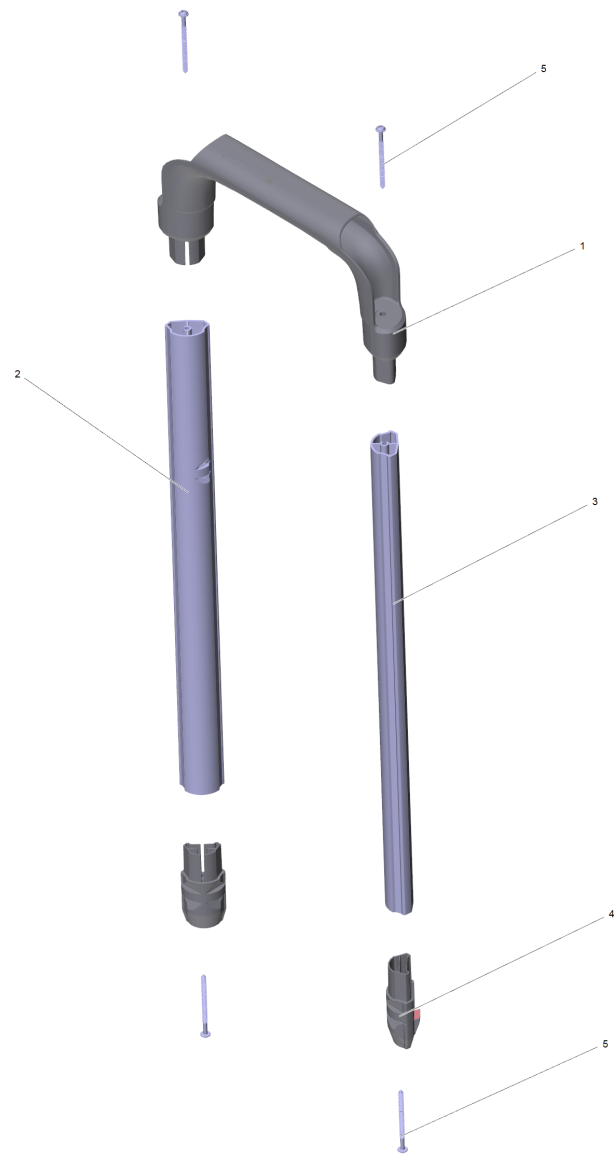


## Spare parts list high-pressure 5/17 C PL (5.974-229.0)

POS	Article no.	Description	Quantity	Unit
2	5.646-048.3	Housing left for replacement	1.000	ST
3	5.646-049.3	Housing right for replacement	1.000	ST
4	5.645-654.0	Housing bottom	1.000	ST
5	5.646-025.0	Holder left	1.000	ST
6	5.646-024.0	Holder right	1.000	ST
7	5.645-938.0	Holder jet pipe	1.000	ST
9		Handhold complete	1.000	ST
10		Pump set complete HD 5/17	1.000	ST
11	5.767-029.0	Rubber buffer	4.000	ST
12	6.650-201.0	Cable with plug *EU	1.000	ST
13	6.647-681.0	Cable clip	1.000	ST
14	5.645-675.0	Locking part	1.000	ST
15	5.332-001.0	Helical spring	1.000	ST
20	5.105-399.0	Axle	1.000	ST
21	5.515-395.0	Wheel D180	2.000	ST
22	6.343-168.0	Lock washer	2.000	ST
23	5.515-386.0	Wheel cap large RAL 7012	2.000	ST
25	4.324-057.0	Handle complete	1.000	ST
26	5.107-313.0	Switch rod	1.000	ST
30	5.379-043.0	Strap	1.000	ST
31		Filter with hose RM 1,05	1.000	ST
32	5.645-841.0	Cover cleaning agents	1.000	ST
35	6.303-566.0	Screw 4,2x22 R2R	24.000	ST
43	4.401-056.0	Screw connector part	1.000	ST
44	6.465-031.0	Connection 3/4	1.000	ST
46	5.384-671.0	Label 88 dB	1.000	ST
47	5.387-620.0	Warning sticker-Prevent from freezing	1.000	ST
50		Water intake complete	1.000	ST
54	5.789-071.3	High-pressure outlet packaged for replac	1.000	ST
55	6.362-151.0	O-Ring d. 10 x 2 NBR 70	1.000	ST
56	7.306-092.0	Screw M6x20-ST- 8.8-R3R (IN6RD)	2.000	ST
58	6.650-109.0	Capacitor with cable 40 µF (Silikon)	1.000	ST
59	7.303-031.0	Screw M4x10 -St-P2R (In6Rd)	1.000	ST

Spare parts list high-pressure 5/17 C PL (5.974-229.0)

POS	Article no.	Description	Quantity	Unit
60	4.118-005.0	EASY!Force Advanced	1.000	ST
61	6.110-034.0	Hose assembly TR DN6 25MPa 10m	1.000	ST
63	4.112-006.0	Jet pipe TR 840 mm	1.000	ST
65	5.646-026.0	Retainer accessories	1.000	ST
66	6.273-135.0	Sealing strip	1.000	ST
901	4.114-018.0	Dirt blaster TR 030 LowEnd	1.000	ST
902	4.117-023.0	Triple jet nozzle TR 027	1.000	ST

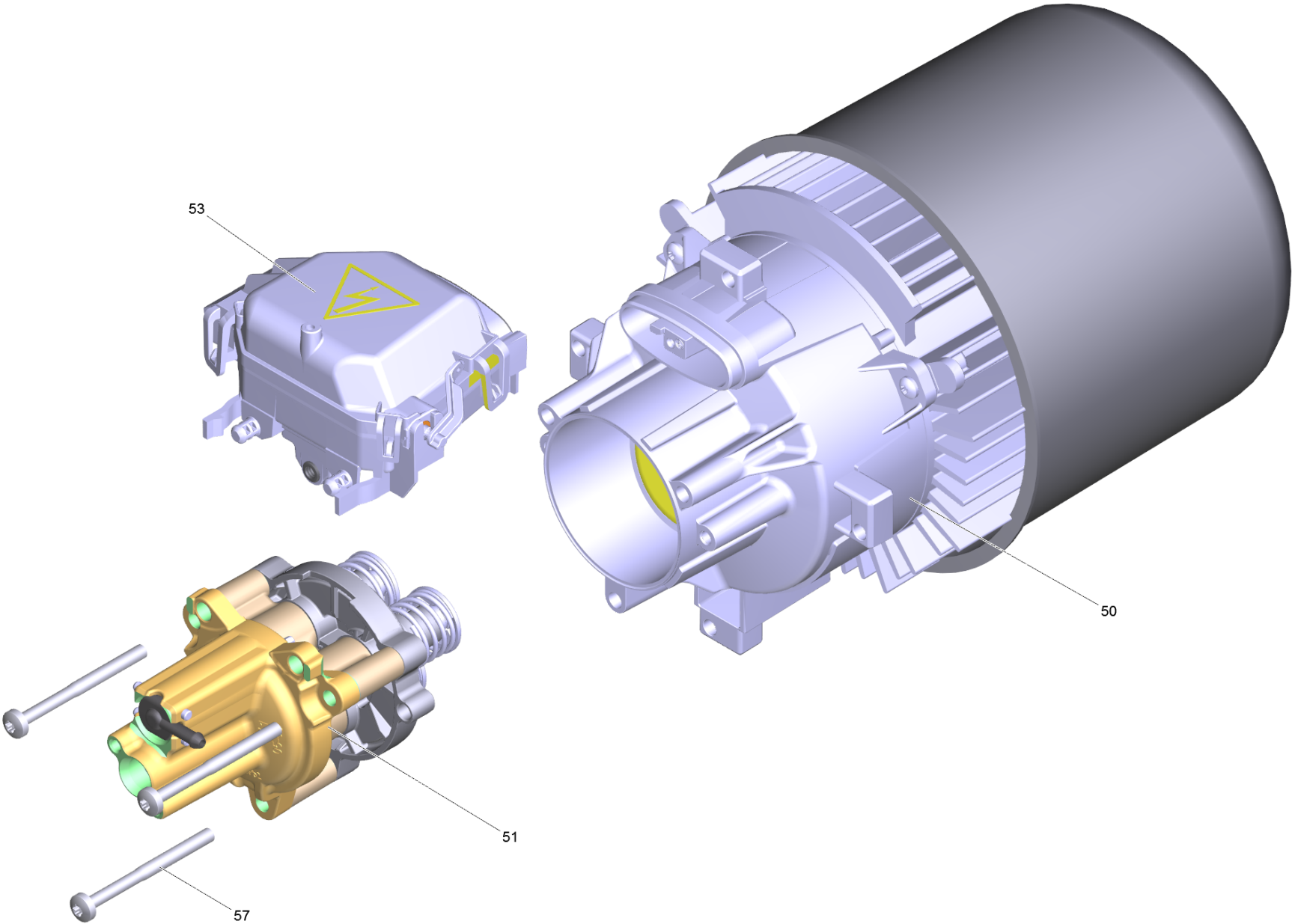




## 9 Handhold complete

---

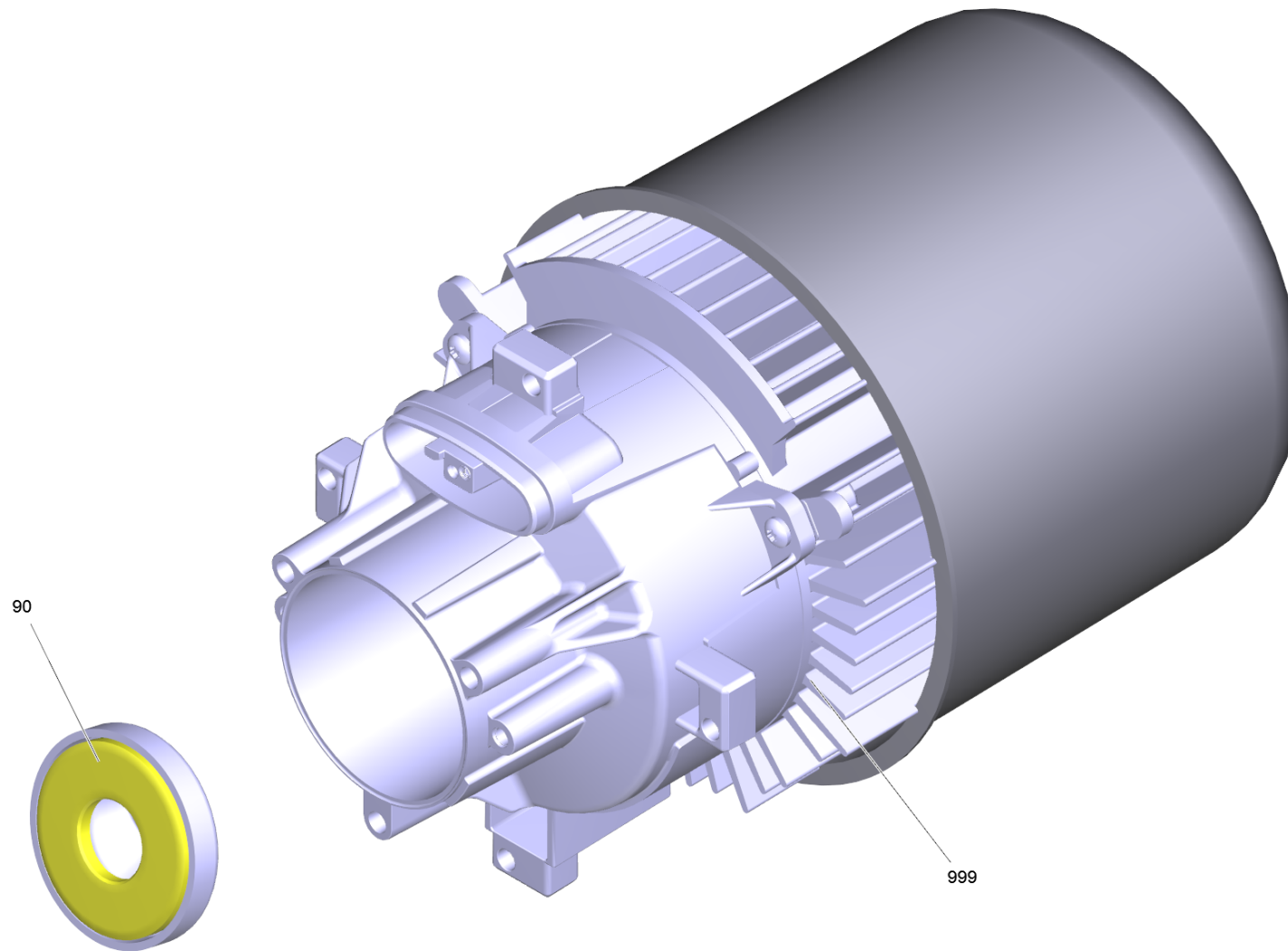
<b>POS</b>	<b>Article no.</b>	<b>Description</b>	<b>Quantity</b>	<b>Unit</b>
1	5.324-161.0	Hand grip	1.000	ST
2	5.645-674.0	Tube left Trolley	1.000	ST
3	5.645-853.0	Tube right Trolley	1.000	ST
4	5.645-676.0	End piece locking part	2.000	ST
5	6.303-562.0	Saucer-head screw D4x55	4.000	ST



## 10 Pump set complete HD 5/17

---

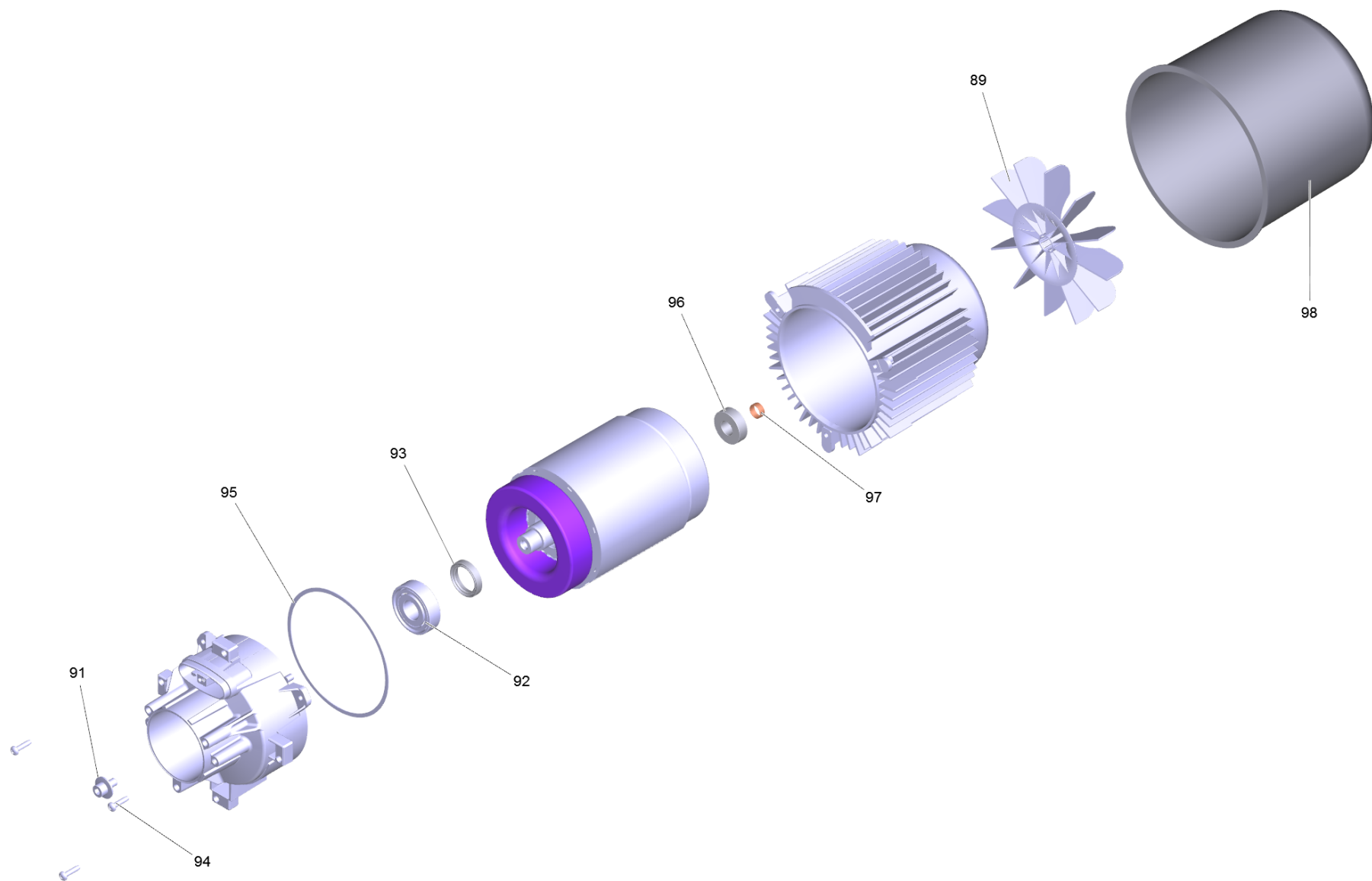
POS	Article no.	Description	Quantity	Unit
50		Transmission HD 5/17	1.000	ST
51		Pump head complete HD 5/17	1.000	ST
53	2.885-375.0	Spare parts set electric box complete HD	1.000	ST
57	7.306-268.0	Screw M6x70 -8.8-R3R (In6Rd)	3.000	ST
125	6.288-050.0	Engine oil 1L	1.000	ST
999	2.901-048.0	Tool	1.000	ST



50 Transmission HD 5/17

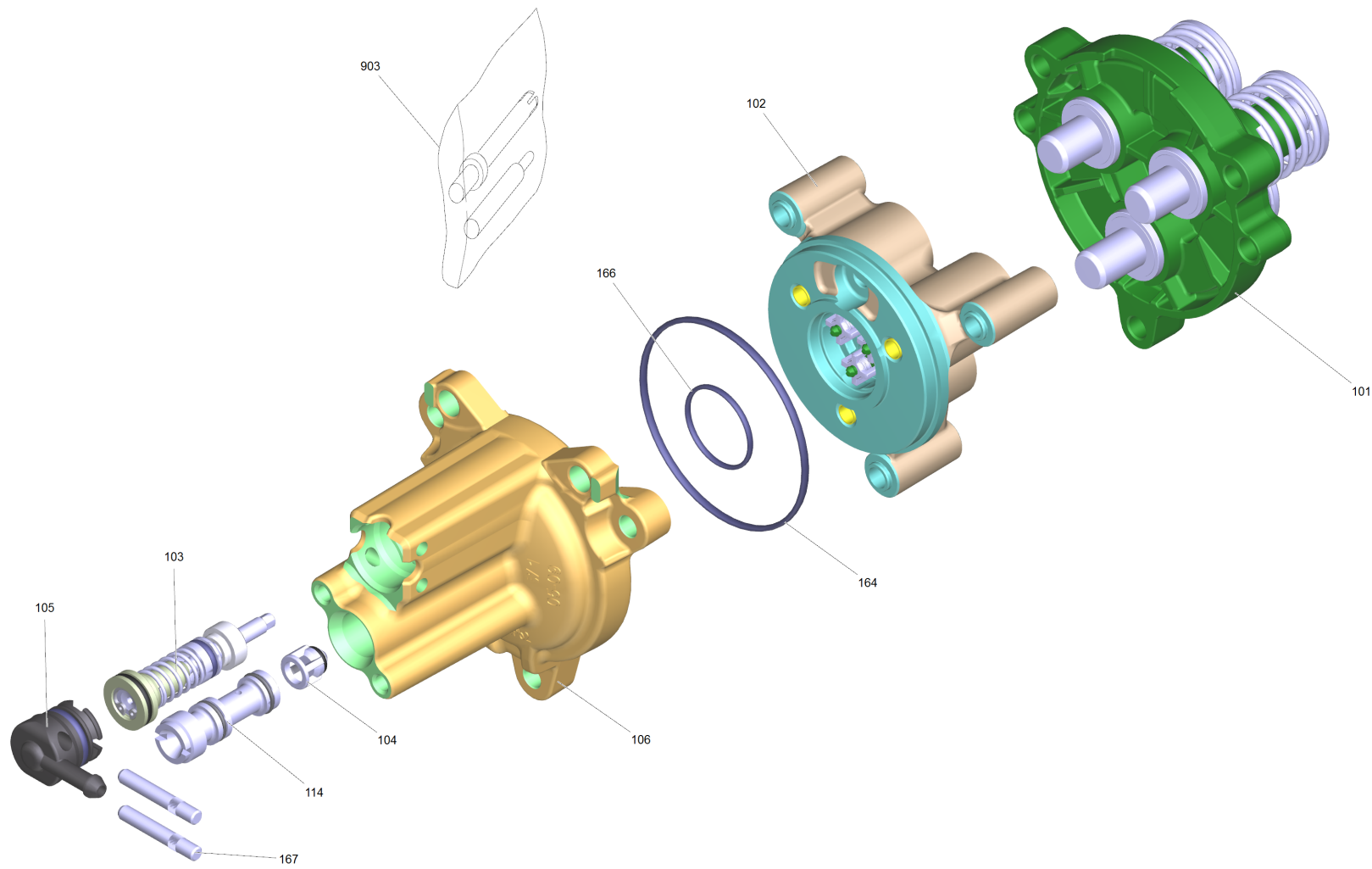
---

<b>POS</b>	<b>Article no.</b>	<b>Description</b>	<b>Quantity</b>	<b>Unit</b>
90	4.120-261.0	Wobble plate complete 11°43' (D67)	1.000	ST
999	4.624-227.0	Motor for replacement HD 5/17	1.000	ST



999 Motor for replacement HD 5/17 (4.624-227.0)

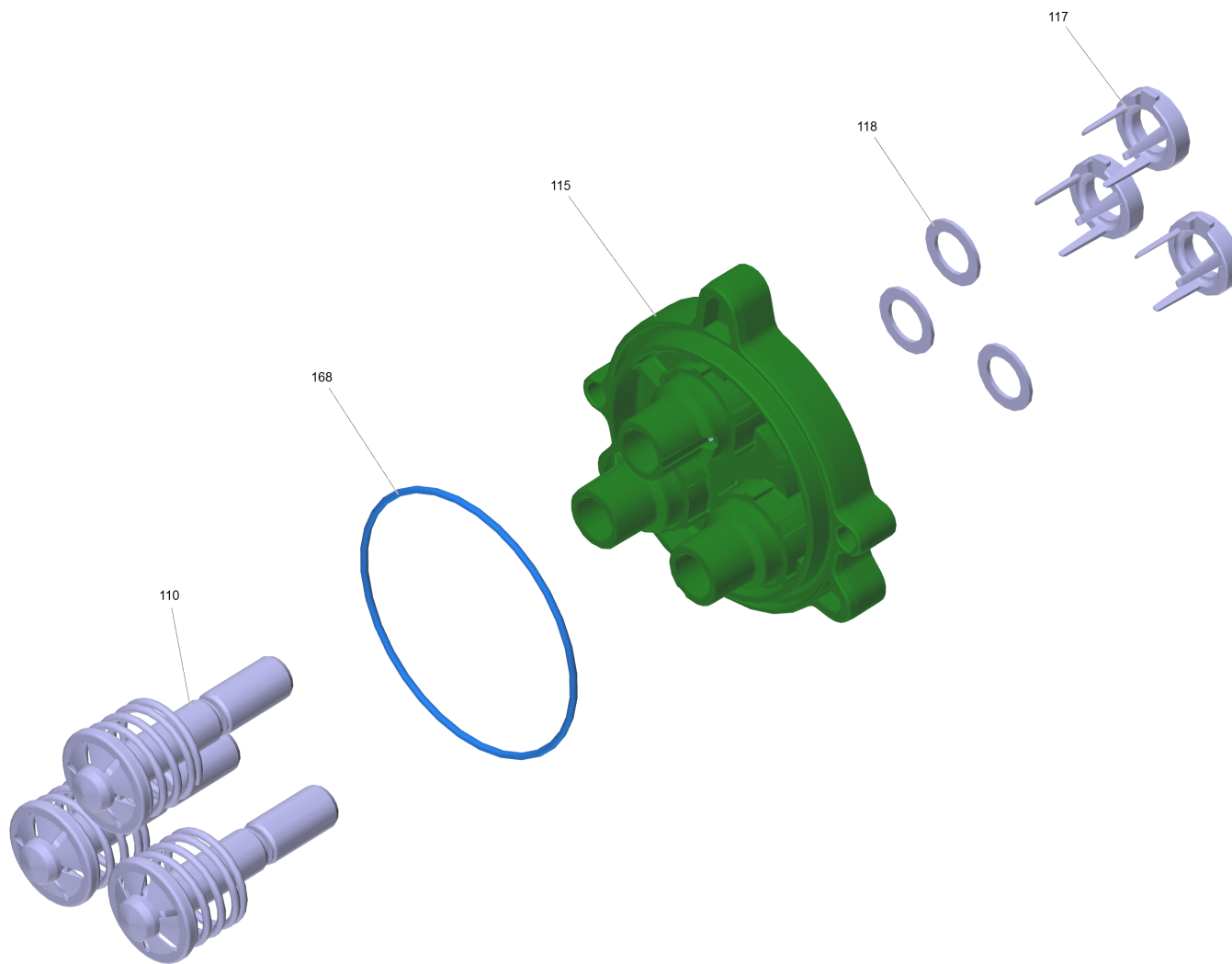
POS	Article no.	Description	Quantity	Unit
89	5.600-105.0	Blower wheel	1.000	ST
91	9.086-169.0	Wobble plate screw M8x16	1.000	ST
92	6.401-427.0	Angular contact ball bearing	1.000	ST
93	7.367-024.0	Radial shaft seal ring A26x37x7 -FKM DIN	1.000	ST
94	6.303-320.0	Screw M 5x 20-St-R2R	3.000	ST
95	5.363-743.0	Joint ring	1.000	ST
96	7.401-128.0	Ball bearing 6202-2RS -Wälzl.St DIN 625	1.000	ST
97	6.343-218.0	Tolerance ring 15x6	1.000	ST
98	5.692-102.0	Air circulation	1.000	ST





## 51 Pump head complete HD 5/17

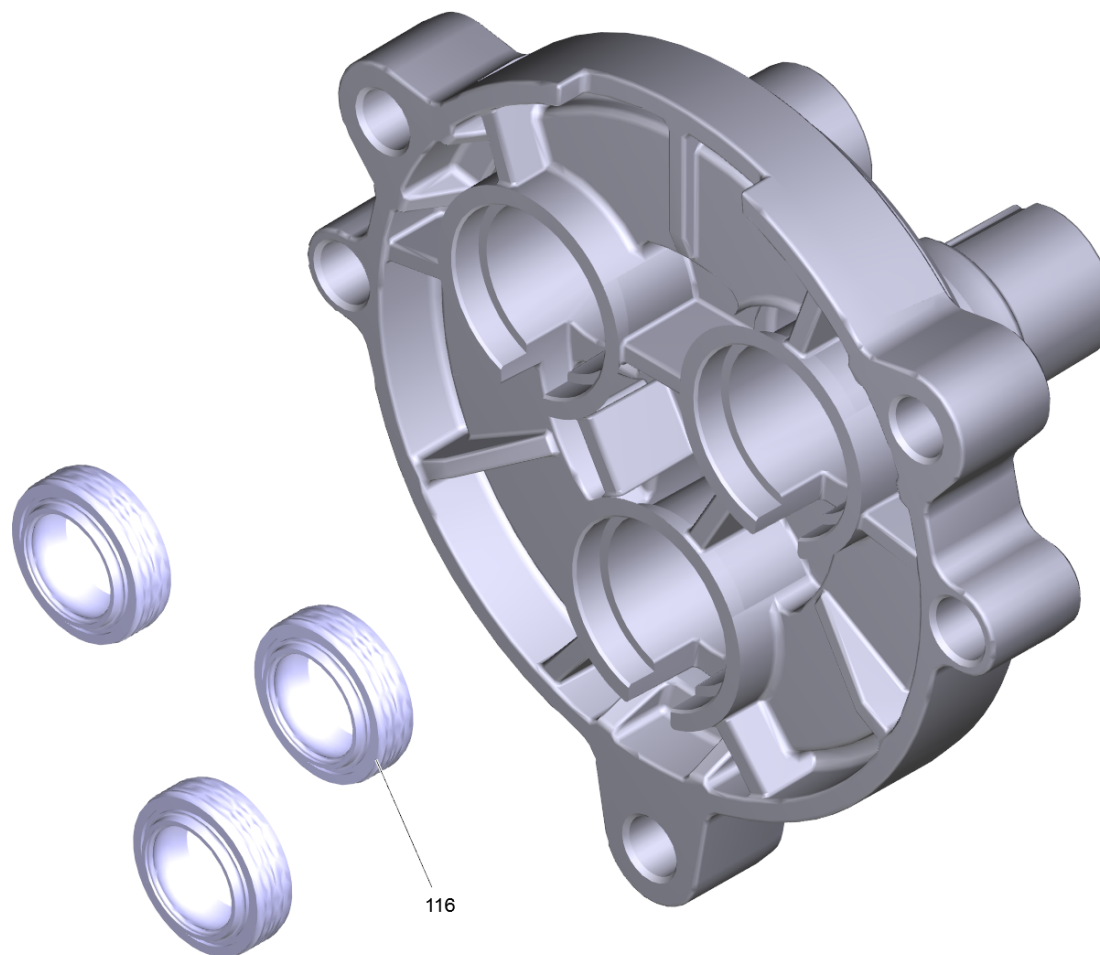
POS	Article no.	Description	Quantity	Unit
101		Piston guidance complete	1.000	ST
102	4.550-942.0	Cylinder head complete brass	1.000	ST
103	2.885-408.0	Control piston complete replacement	1.000	ST
104	4.584-022.0	Valve pin complete	1.000	ST
105	4.580-702.0	Plug complete	1.000	ST
106	5.062-390.0	Housing HD-C	1.000	ST
114	9.139-372.0	SPARE PART LIST NOZZLE INS 020/021 PUMP	1.000	ST
164	6.363-616.0	O-Ring seal 60,0x2,0 -NBR70	1.000	ST
166	6.362-562.0	O-Ring seal 21,95X 1,78-NBR 90	1.000	ST
167	5.314-150.0	Pin	2.000	ST
901	2.060-000.0	Piston guidance for replacement	1.000	ST
902	2.885-377.0	Pump set HDC	1.000	ST
903	2.901-049.0	Set from valve retainer and drive-in man	1.000	ST



## 101 Piston guidance complete

---

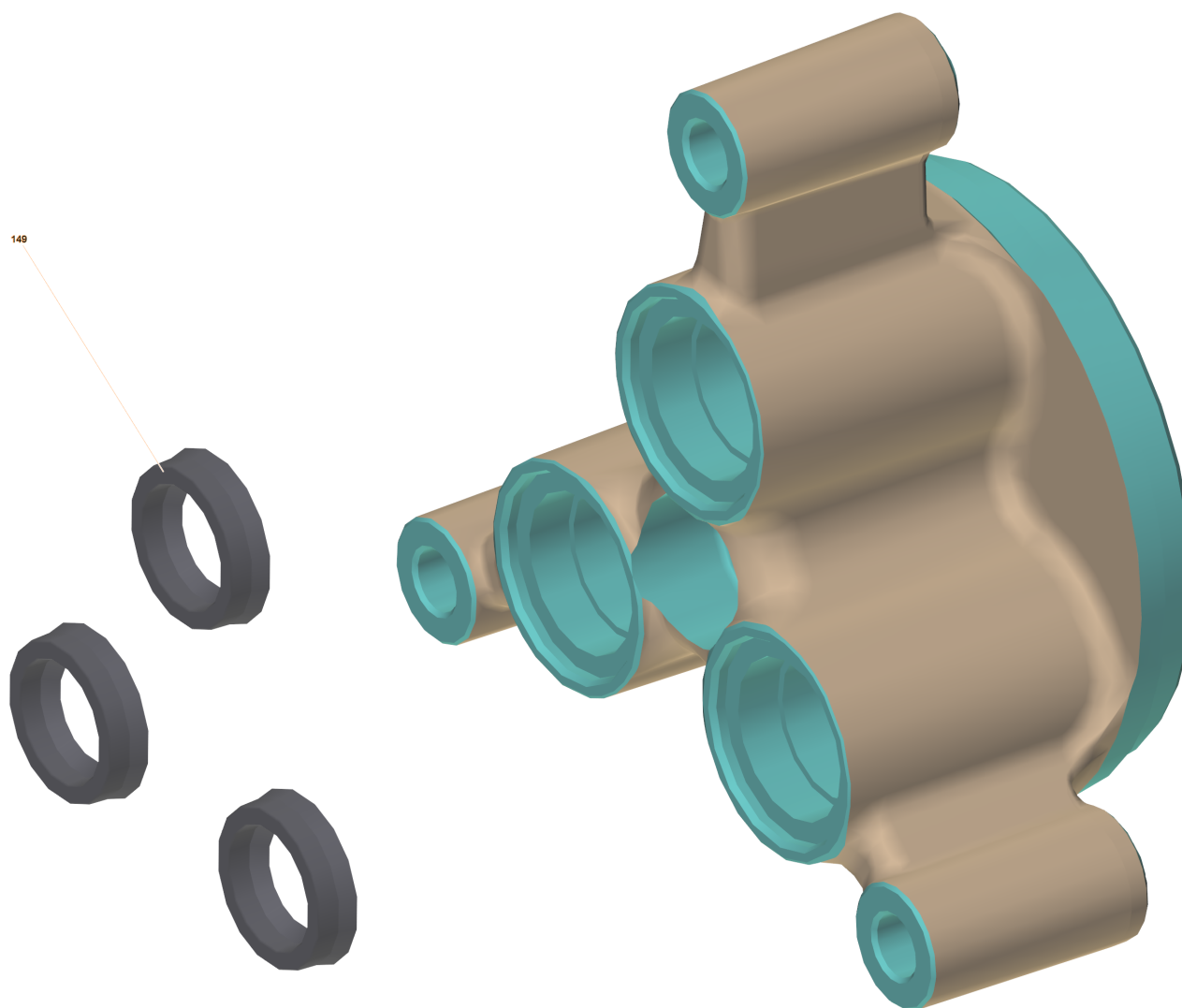
<b>POS</b>	<b>Article no.</b>	<b>Description</b>	<b>Quantity</b>	<b>Unit</b>
110	4.553-001.0	Piston complete	3.000	ST
115	2.060-000.0	Piston guidance for replacement	1.000	ST
117	5.116-381.0	Supporting disk	3.000	ST
118	5.116-380.0	Washer piston guidance	3.000	ST
168	6.363-449.0	O-Ring seal 72x2 -NBR70	1.000	ST



115 Piston guidance for replacement (2.060-000.0)

---

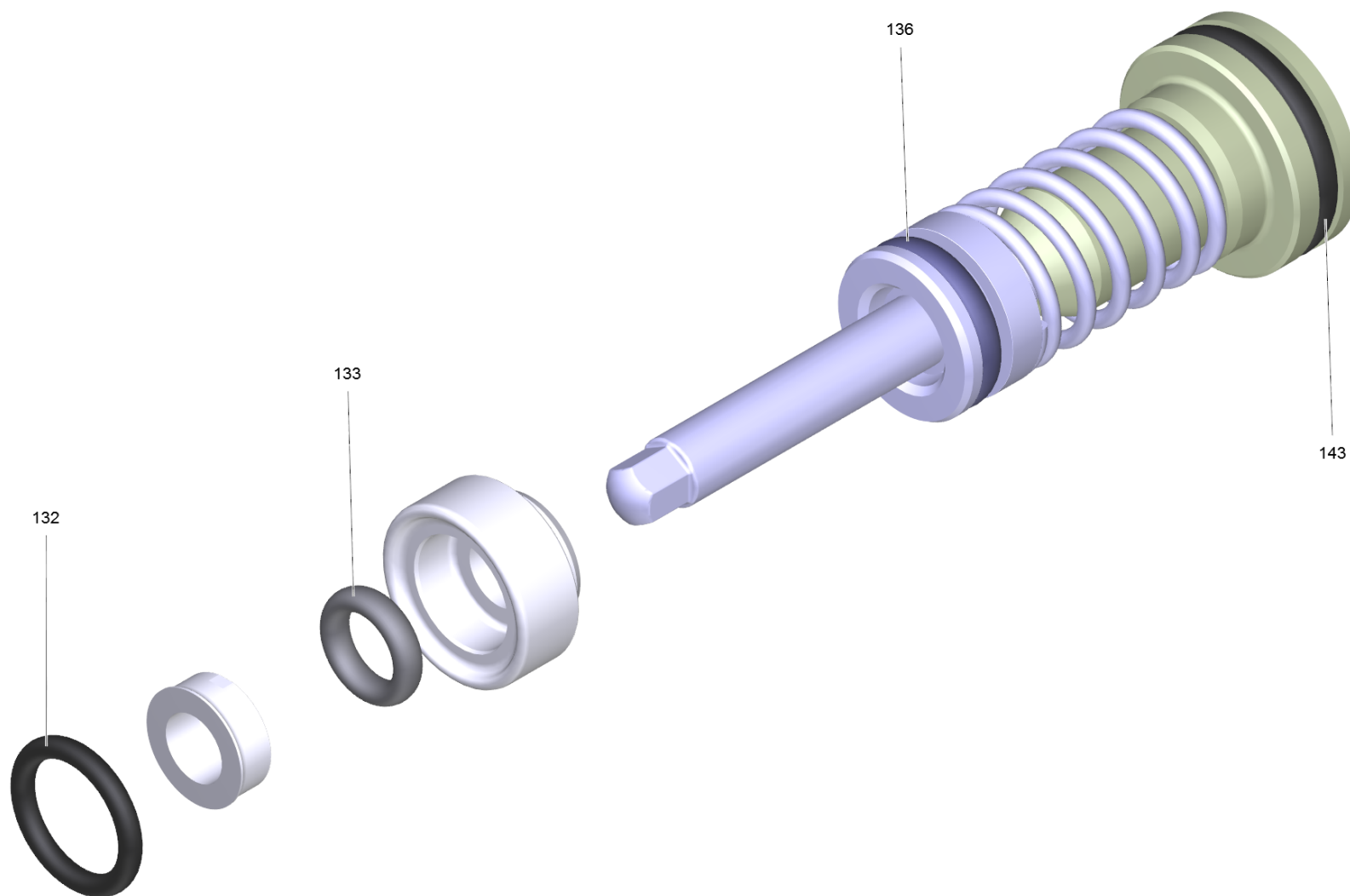
<b>POS</b>	<b>Article no.</b>	<b>Description</b>	<b>Quantity</b>	<b>Unit</b>
116	6.363-633.0	Grooved ring 12x18x6/5/1	3.000	ST



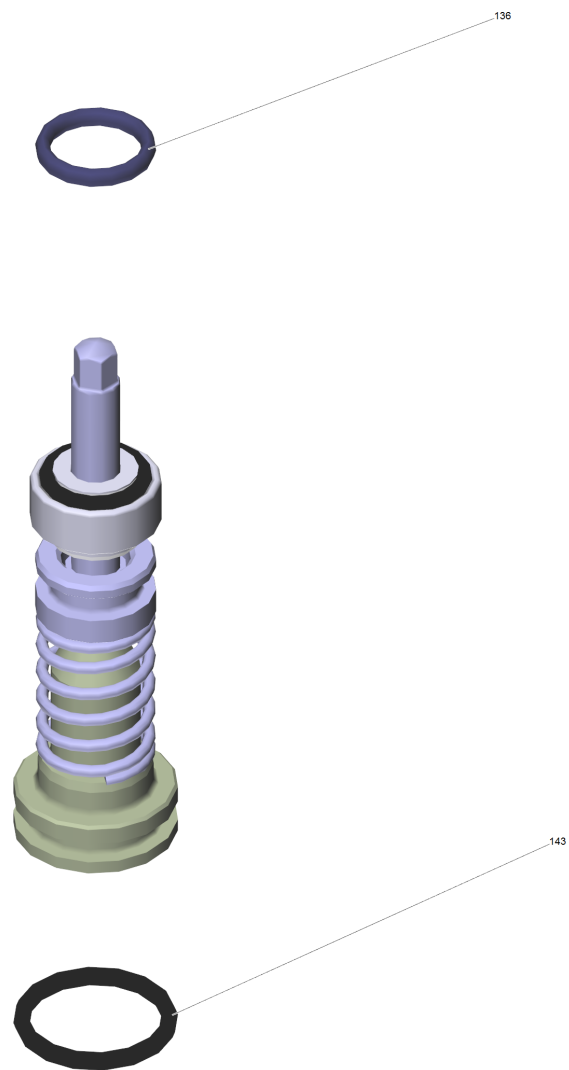
102 Cylinder head complete brass (4.550-942.0)

---

POS	Article no.	Description	Quantity	Unit
149	6.363-435.0	Grooved ring 12x17x4,25/2,5	3.000	ST



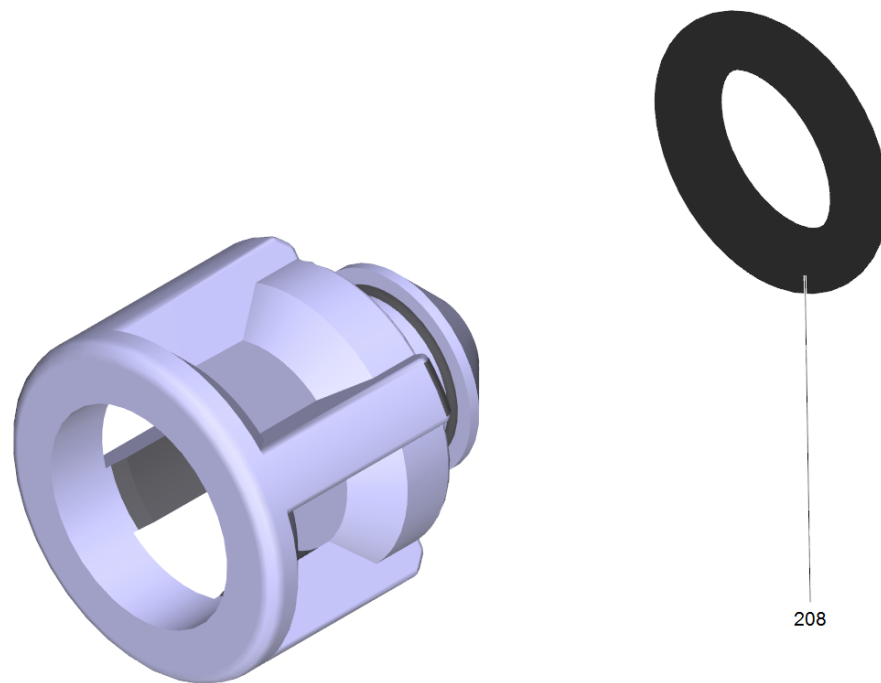




## 103 Control piston complete replacement (2.885-408.0)

---

<b>POS</b>	<b>Article no.</b>	<b>Description</b>	<b>Quantity</b>	<b>Unit</b>
132	6.362-101.0	O-Ring seal 8 X 2	1.000	ST
133	6.363-606.0	O-Ring seal 4,7 x 1,9 -NBR70	1.000	ST
136	6.363-614.0	O-Ring seal 9 x 2 -NBR90	1.000	ST
143	6.362-381.0	O-Ring seal 13x2 - NBR 70	1.000	ST

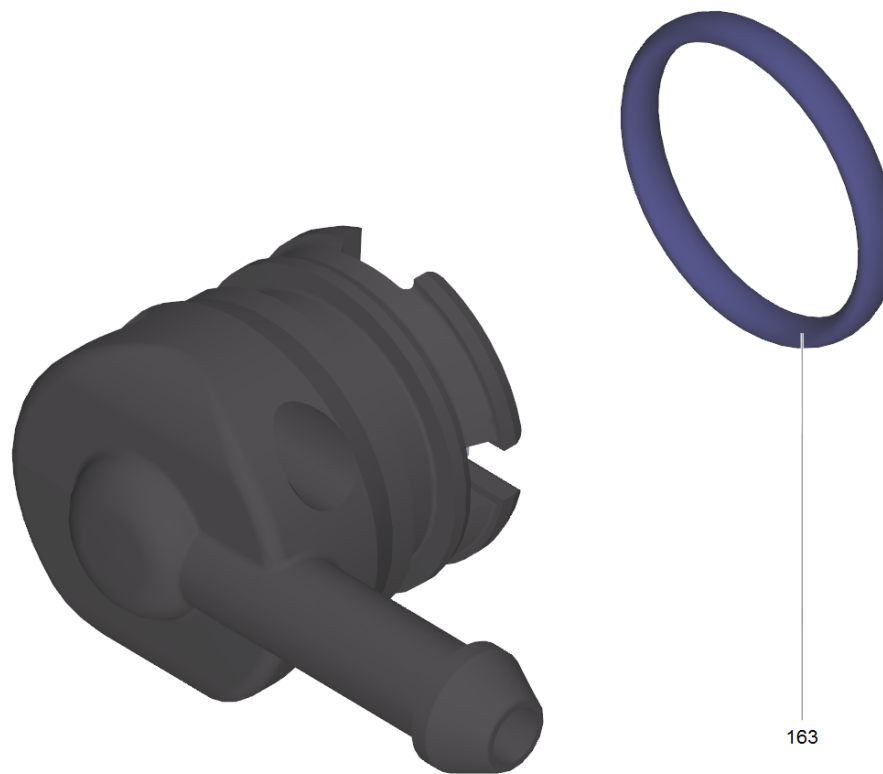


104 Valve pin complete (4.584-022.0)

---

<b>POS</b>	<b>Article no.</b>	<b>Description</b>	<b>Quantity</b>	<b>Unit</b>
208	6.363-613.0	O-Ring seal 4 x 2 -NBR90	1.000	ST

---



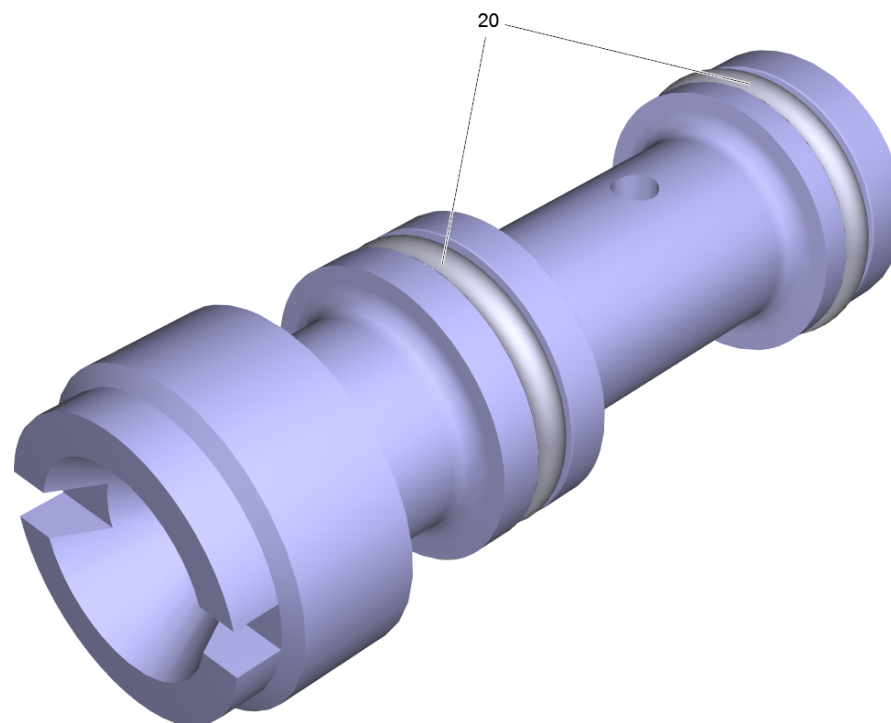


105 Plug complete (4.580-702.0)

---

<b>POS</b>	<b>Article no.</b>	<b>Description</b>	<b>Quantity</b>	<b>Unit</b>
163	6.362-030.0	O-Ring seal 15x2 90 Shore IRHD	1.000	ST

---

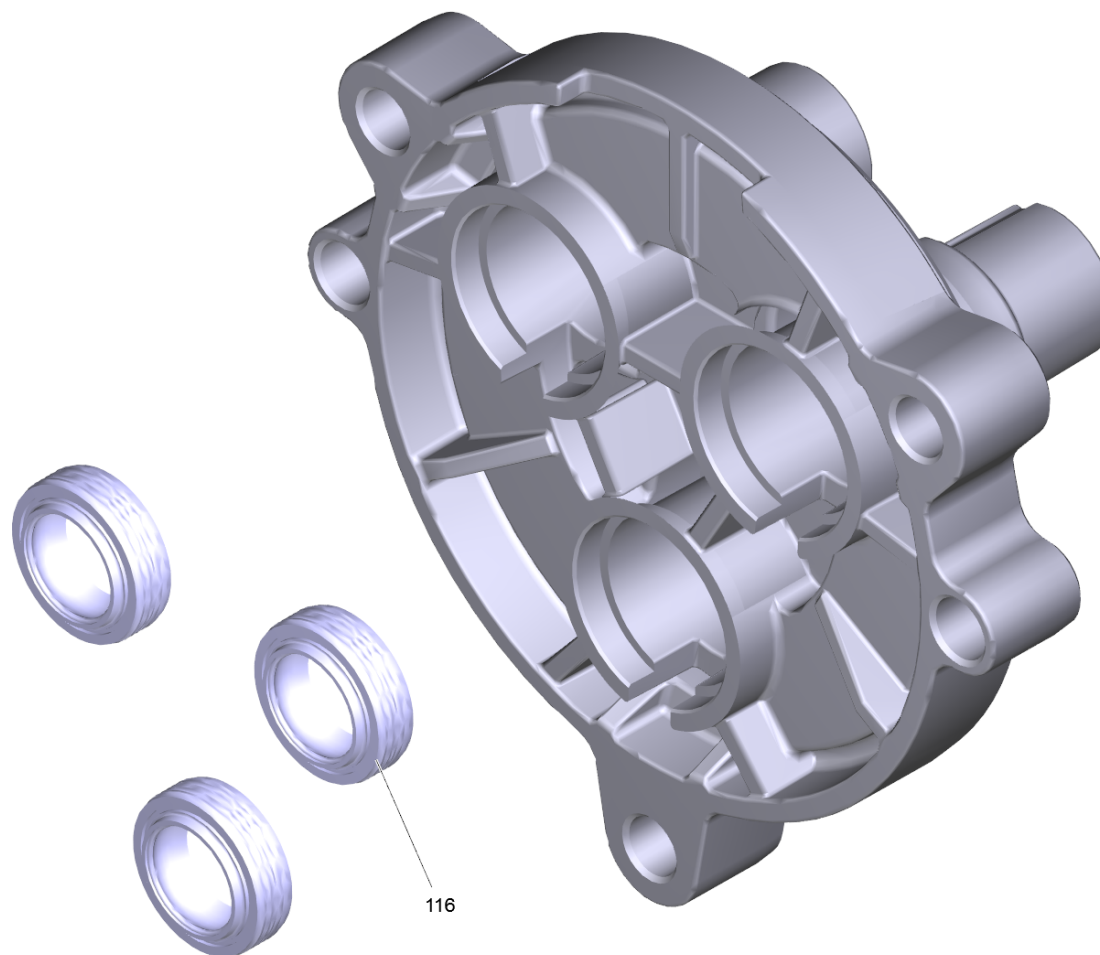




114 SPARE PART LIST NOZZLE INS 020/021 PUMP (9.139-372.0)

---

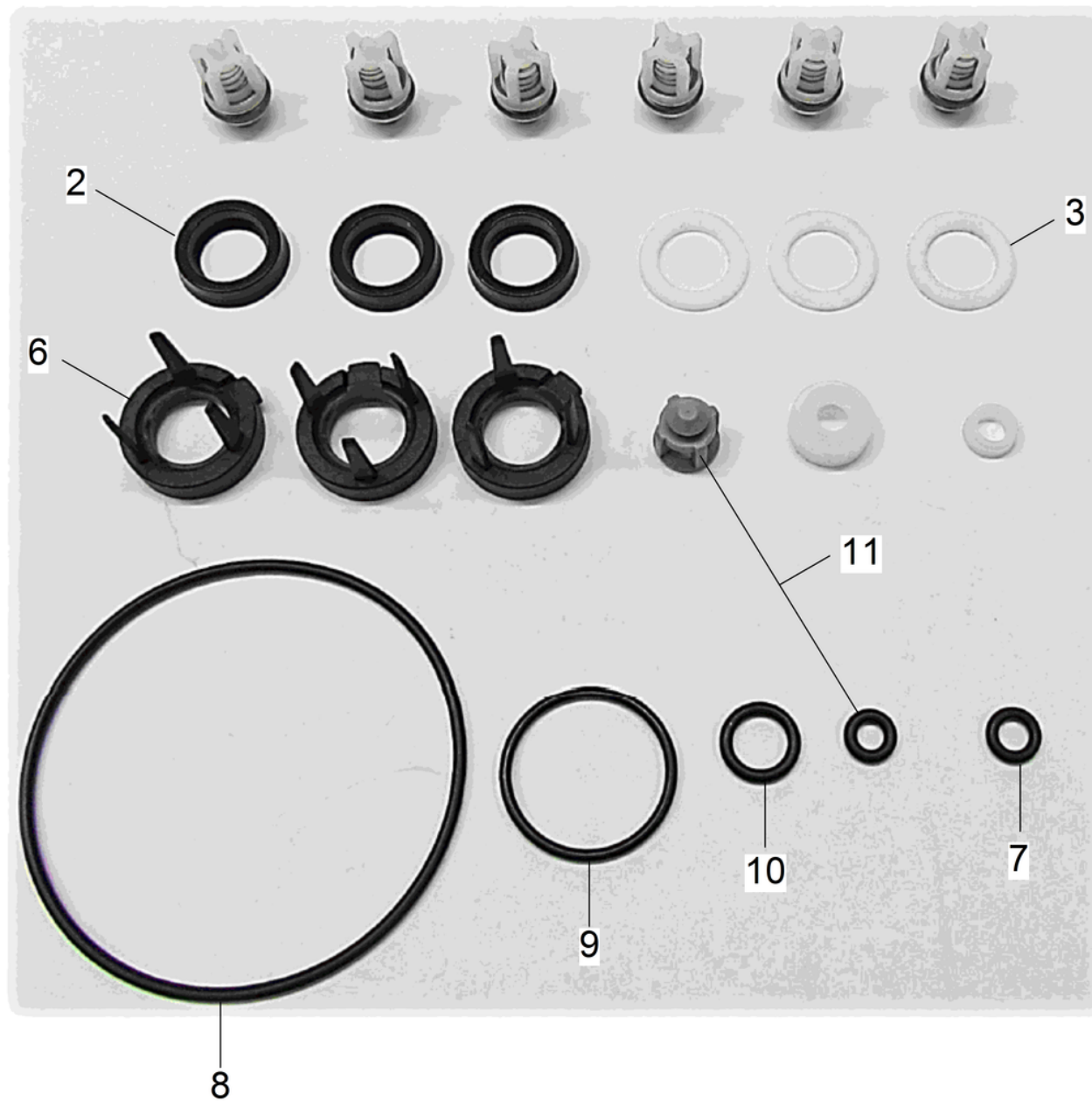
POS	Article no.	Description	Quantity	Unit
20	6.362-384.0	O-Ring seal 9x1,5 - NBR 70	2.000	ST



901 Piston guidance for replacement (2.060-000.0)

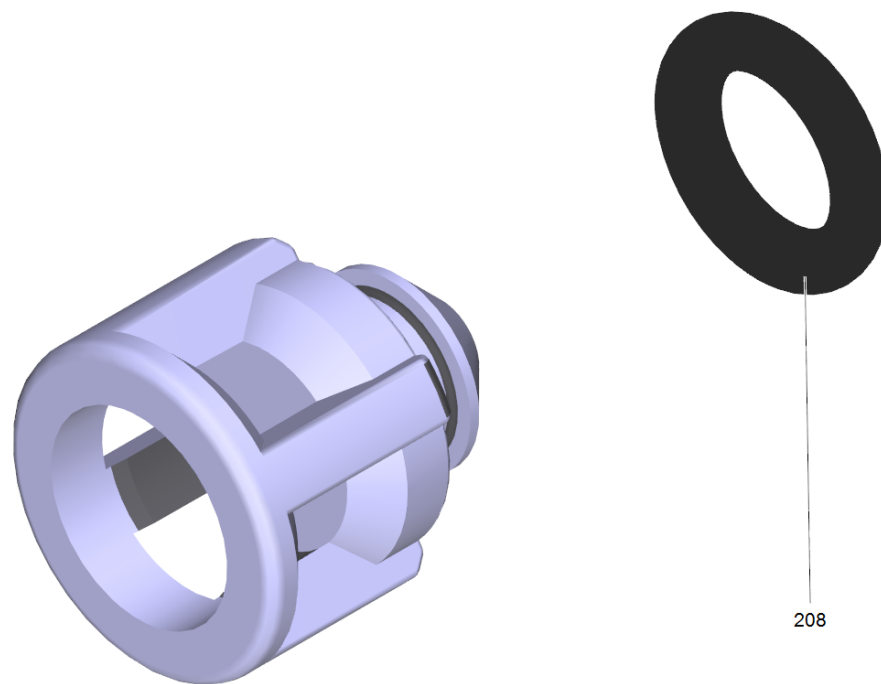
---

<b>POS</b>	<b>Article no.</b>	<b>Description</b>	<b>Quantity</b>	<b>Unit</b>
116	6.363-633.0	Grooved ring 12x18x6/5/1	3.000	ST



902 Pump set HDC (2.885-377.0)

POS	Article no.	Description	Quantity	Unit
2	6.363-435.0	Grooved ring 12x17x4,25/2,5	3.000	ST
3	5.116-380.0	Washer piston guidance	3.000	ST
6	5.116-381.0	Supporting disk	3.000	ST
7	6.363-606.0	O-Ring seal 4,7 x 1,9 -NBR70	1.000	ST
8	6.363-616.0	O-Ring seal 60,0x2,0 -NBR70	1.000	ST
9	6.362-562.0	O-Ring seal 21,95X 1,78-NBR 90	1.000	ST
10	6.362-101.0	O-Ring seal 8 X 2	1.000	ST
11	4.584-022.0	Valve pin complete	1.000	ST

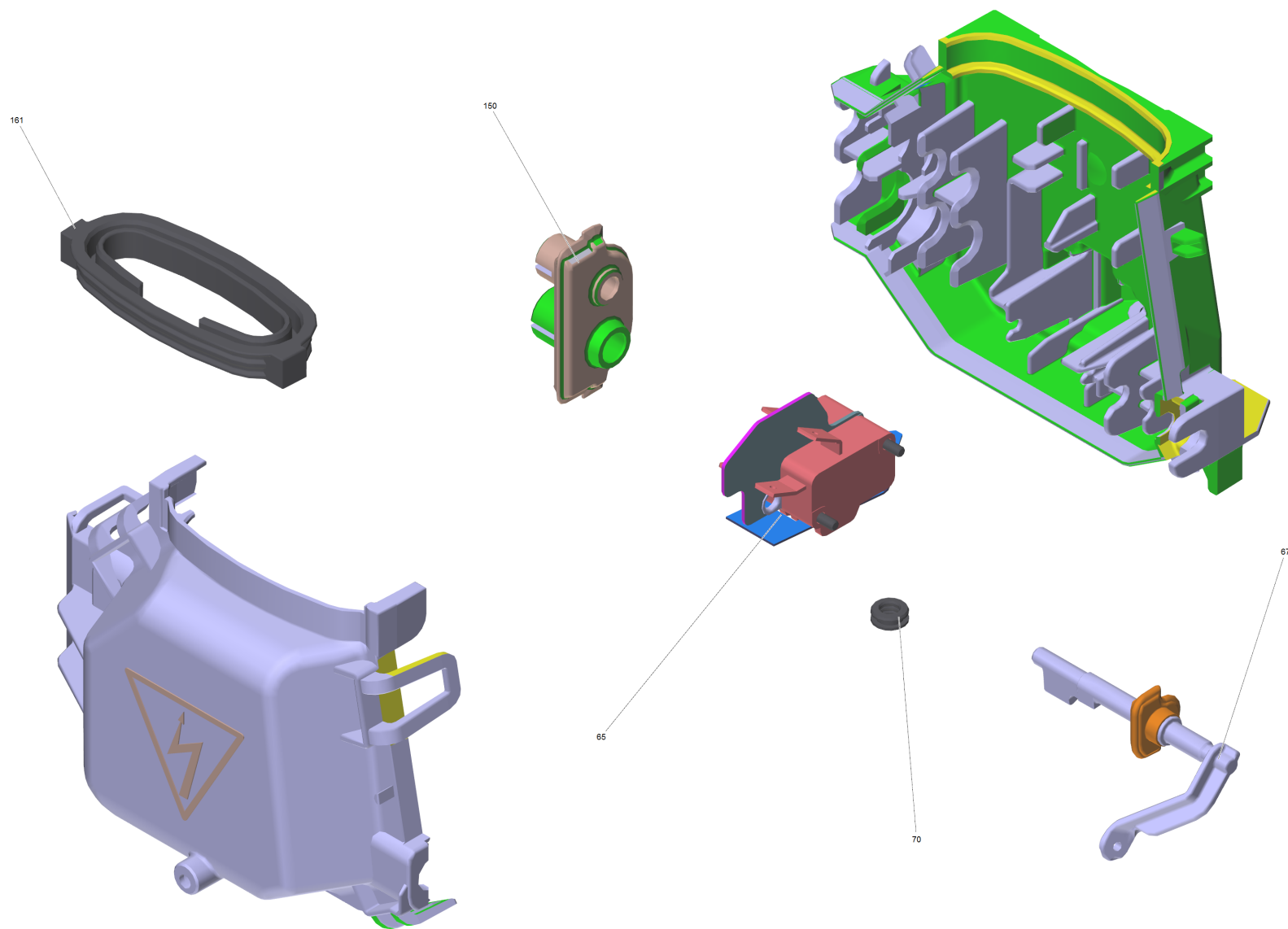


208

11 Valve pin complete (4.584-022.0)

---

<b>POS</b>	<b>Article no.</b>	<b>Description</b>	<b>Quantity</b>	<b>Unit</b>
208	6.363-613.0	O-Ring seal 4 x 2 -NBR90	1.000	ST

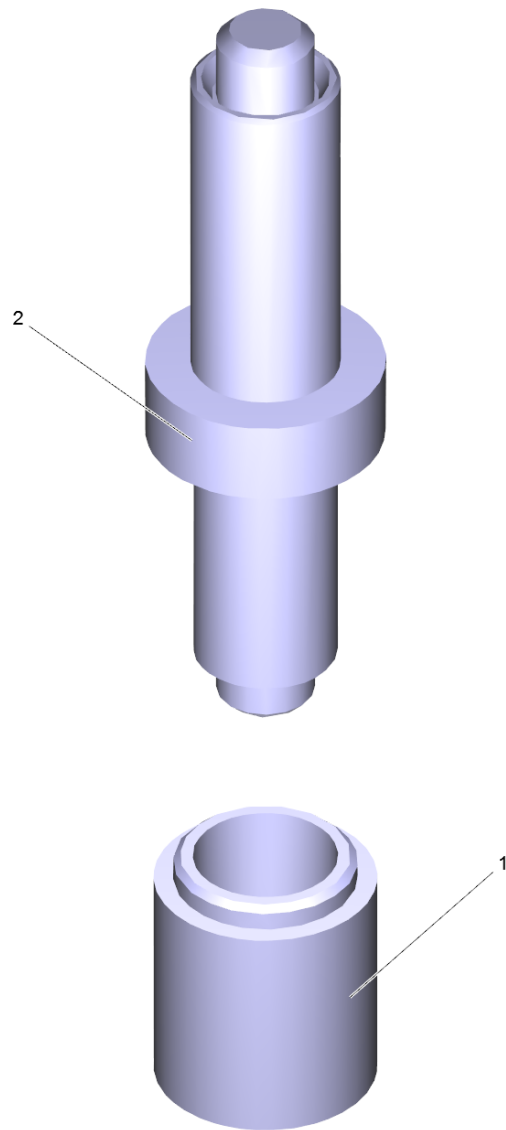




53 Spare parts set electric box complete HD (2.885-375.0)

---

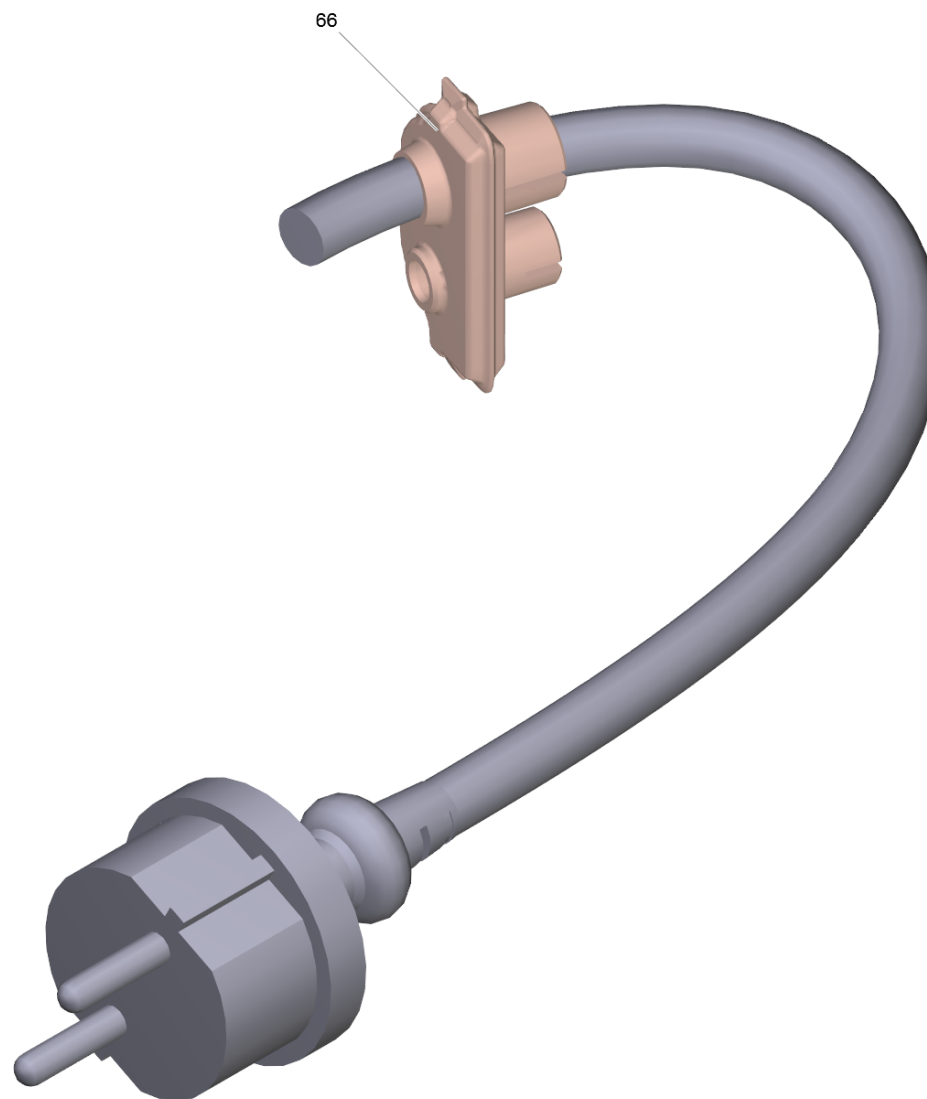
<b>POS</b>	<b>Article no.</b>	<b>Description</b>	<b>Quantity</b>	<b>Unit</b>
65	6.961-000.0	Micro switch	1.000	ST
67	2.885-376.0	Selector shaft spare parts set HDC	1.000	ST
70	5.363-749.0	Seal control piston	1.000	ST
150	5.363-807.0	Seal cable HDC	1.000	ST
161	5.363-761.0	Seal label	1.000	ST



999 Tool (2.901-048.0)

---

<b>POS</b>	<b>Article no.</b>	<b>Description</b>	<b>Quantity</b>	<b>Unit</b>
1	5.901-223.0	Fitting case C=21,4; D=16,9mm	1.000	ST
2	5.901-224.0	Assembly mandril A=16,8;B=11,5mm	1.000	ST

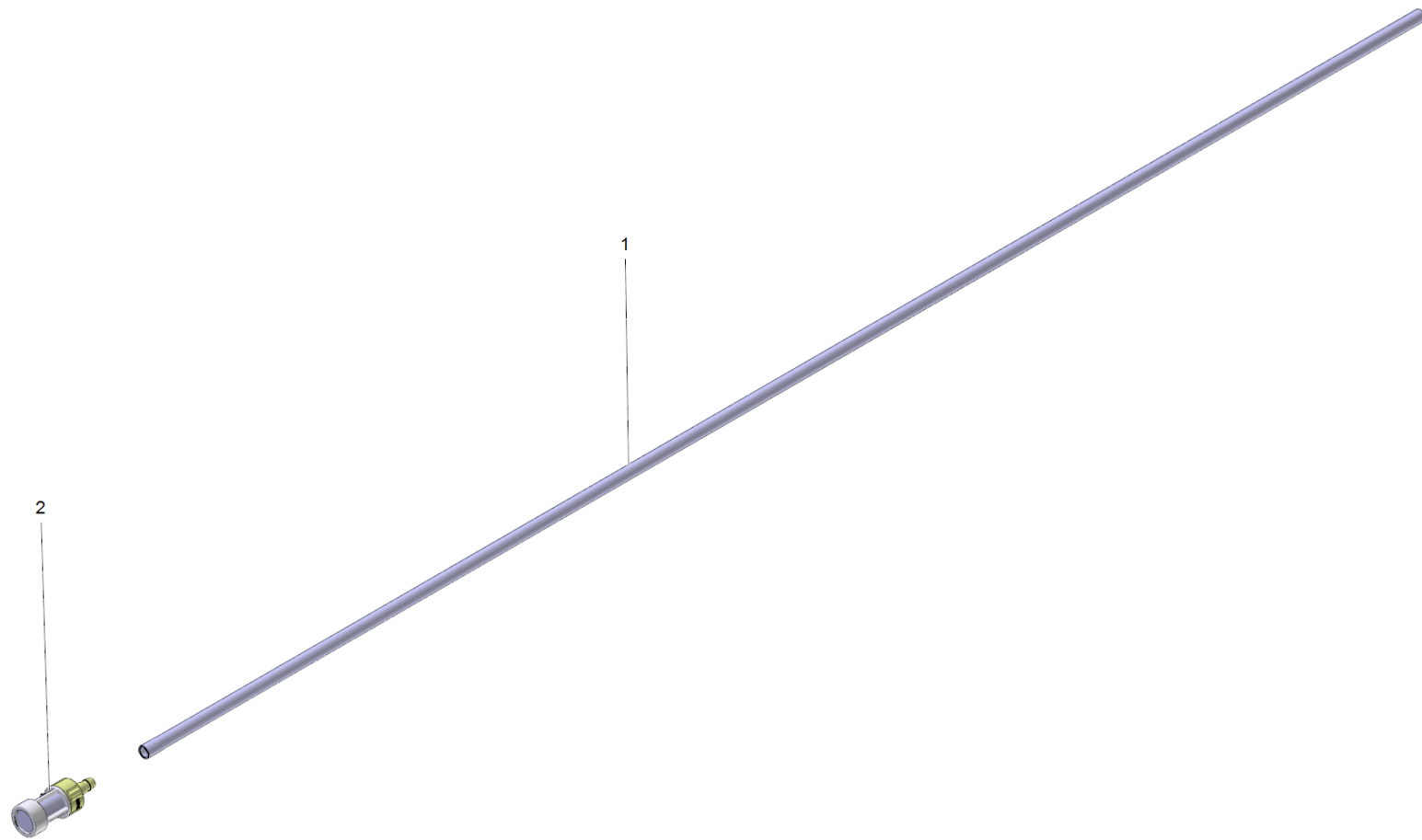


12 Cable with plug \*EU (6.650-201.0)

---

<b>POS</b>	<b>Article no.</b>	<b>Description</b>	<b>Quantity</b>	<b>Unit</b>
66	5.363-807.0	Seal cable HDC	1.000	ST

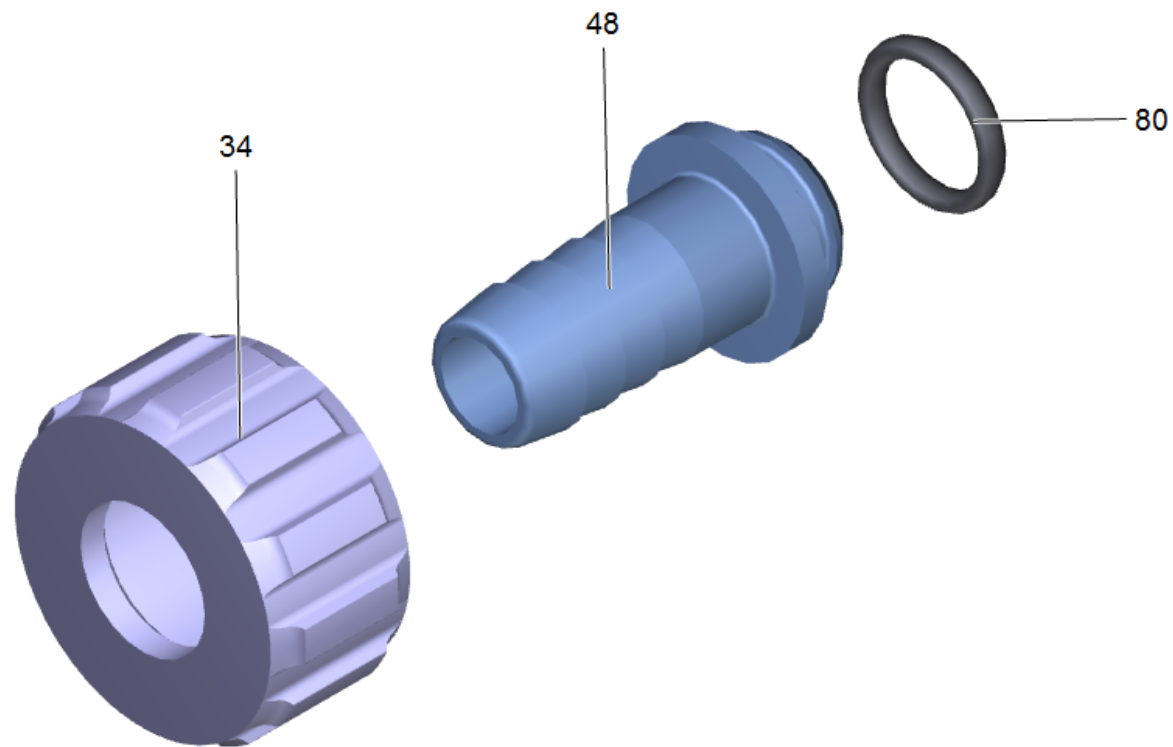
---



### 31 Filter with hose RM 1,05

---

<b>POS</b>	<b>Article no.</b>	<b>Description</b>	<b>Quantity</b>	<b>Unit</b>
1	6.388-216.0	Hose DN 5	1.000	M
2	4.862-225.0	Filter chemistry regulation	1.000	ST

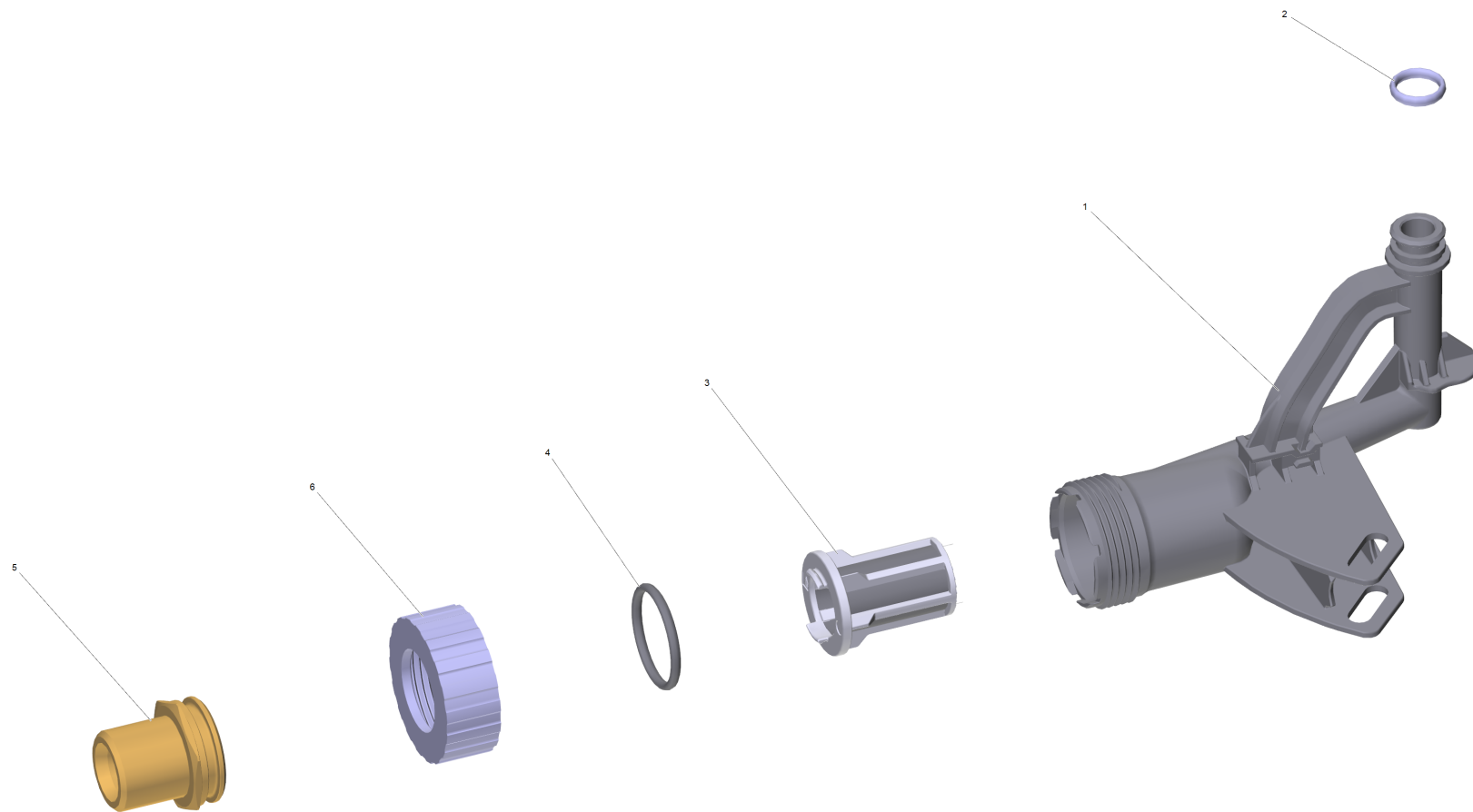




#### 43 Screw connector part (4.401-056.0)

---

<b>POS</b>	<b>Article no.</b>	<b>Description</b>	<b>Quantity</b>	<b>Unit</b>
34	5.310-065.0	Nut	1.000	ST
48	5.443-229.0	Hose stem	1.000	ST
80	6.362-078.0	O-Ring seal 13,3x2,4	1.000	ST



## 50 Water intake complete

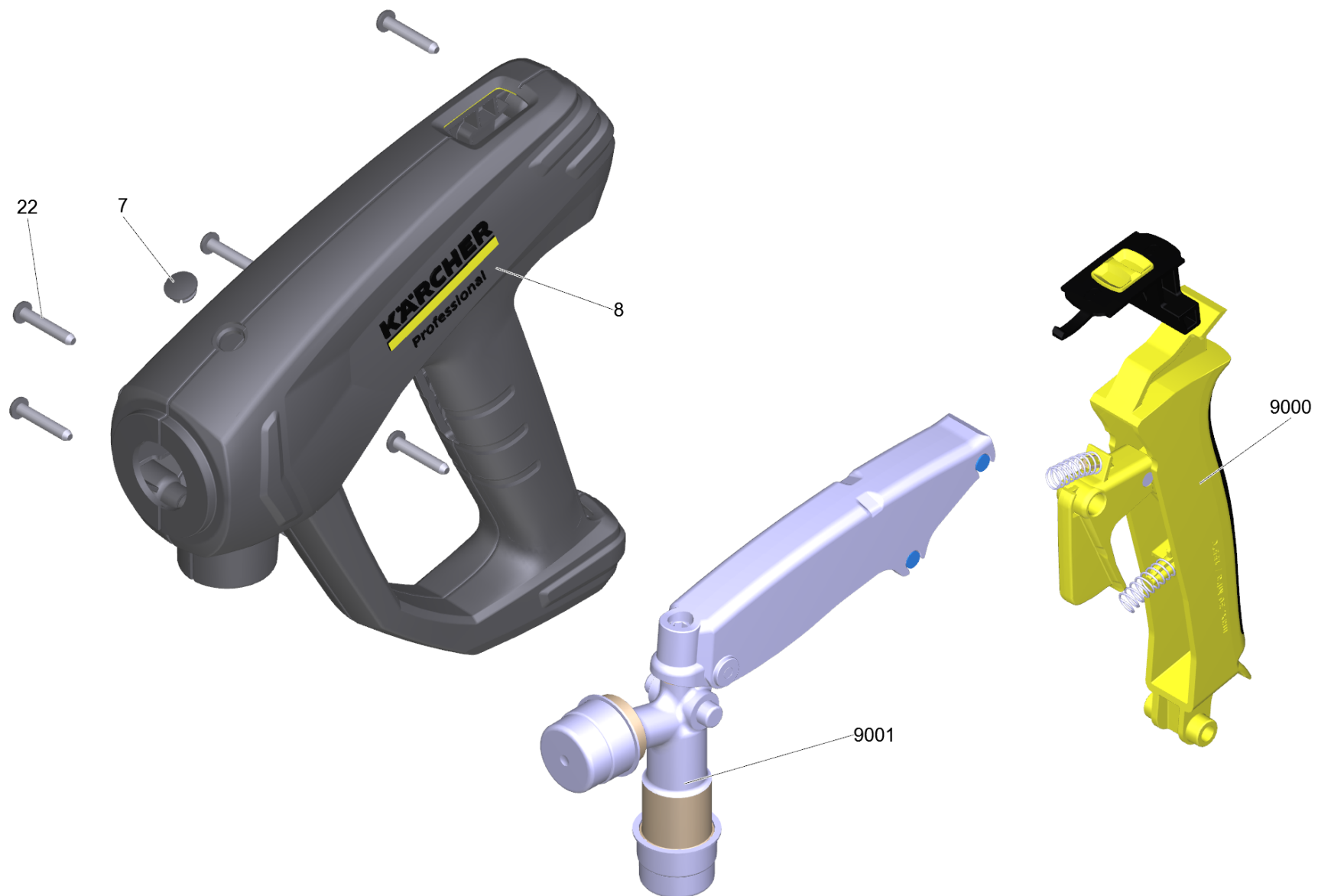
---

<b>POS</b>	<b>Article no.</b>	<b>Description</b>	<b>Quantity</b>	<b>Unit</b>
1	5.443-672.0	Tube water intake	1.000	ST
2	6.363-610.0	O-Ring seal 13 x 3 -NBR	1.000	ST
3	5.731-059.0	Filter cartridge with cone (mesh 100)	1.000	ST
4	6.363-437.0	O-Ring seal 30x3	1.000	ST
5	5.064-517.0	Connection piece water intake G 3/4 A	1.000	ST
6	5.064-465.0	Nut water intake	1.000	ST

60 EASY!Force Advanced (4.118-005.0)

---

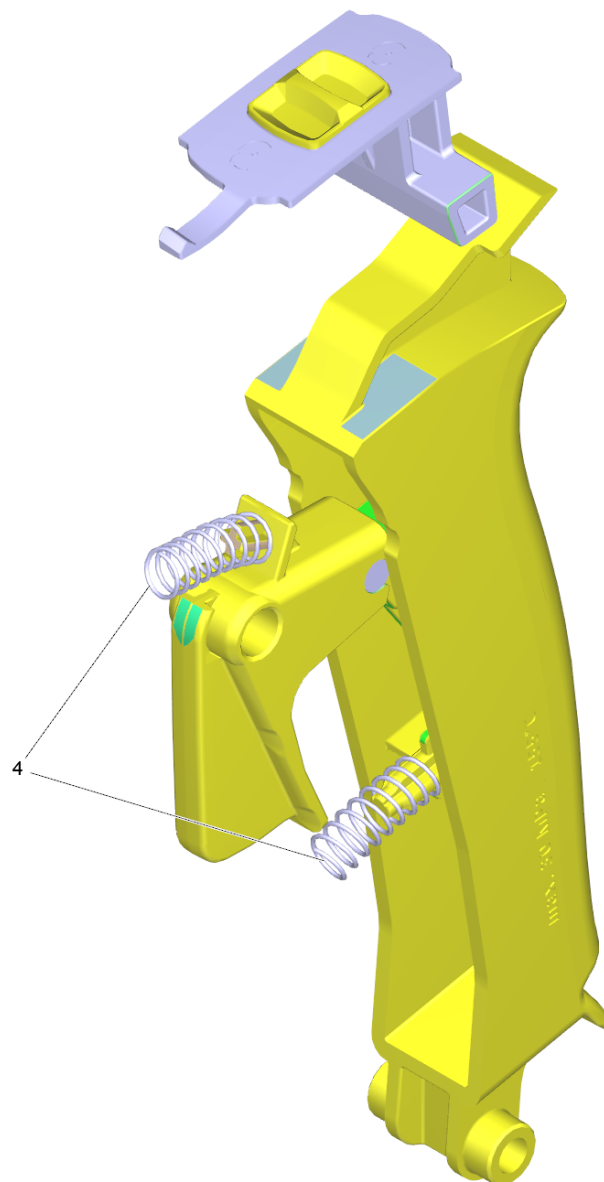
POS	Description	Quantity	Unit
1	Hand trigger gun TR EH 155	1.000	ST



## 1 Hand trigger gun TR EH 155

---

<b>POS</b>	<b>Article no.</b>	<b>Description</b>	<b>Quantity</b>	<b>Unit</b>
7	5.132-001.0	Plug	1.000	ST
8	5.321-136.3	Handhold few EH 155 only for replacement	1.000	ST
22	7.303-096.0	Screw 4x22 -ST-10.9-R2R (IN6RD)	7.000	ST
9000	2.885-483.0	Spare part set lever	1.000	ST
9001	4.427-014.0	Manifold TR EH 155 nur fuer Ersatz	1.000	ST

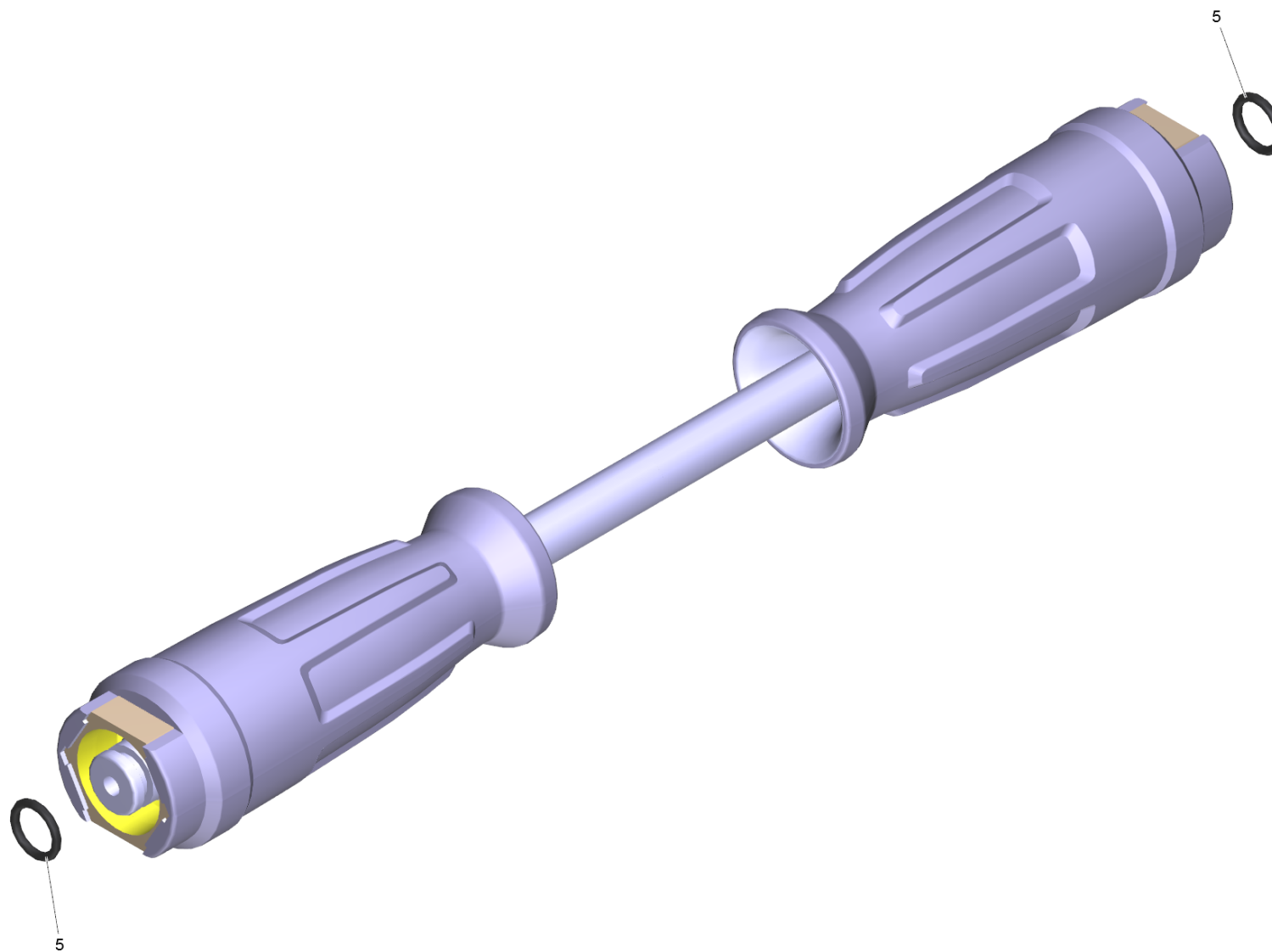


9000 Spare part set lever (2.885-483.0)

---

<b>POS</b>	<b>Article no.</b>	<b>Description</b>	<b>Quantity</b>	<b>Unit</b>
4	5.332-032.0	Helical spring	2.000	ST





61 Hose assembly TR DN6 25MPa 10m (6.110-034.0)

---

<b>POS</b>	<b>Article no.</b>	<b>Description</b>	<b>Quantity</b>	<b>Unit</b>
5	2.880-154.0	O-Ring kit	1.000	ST

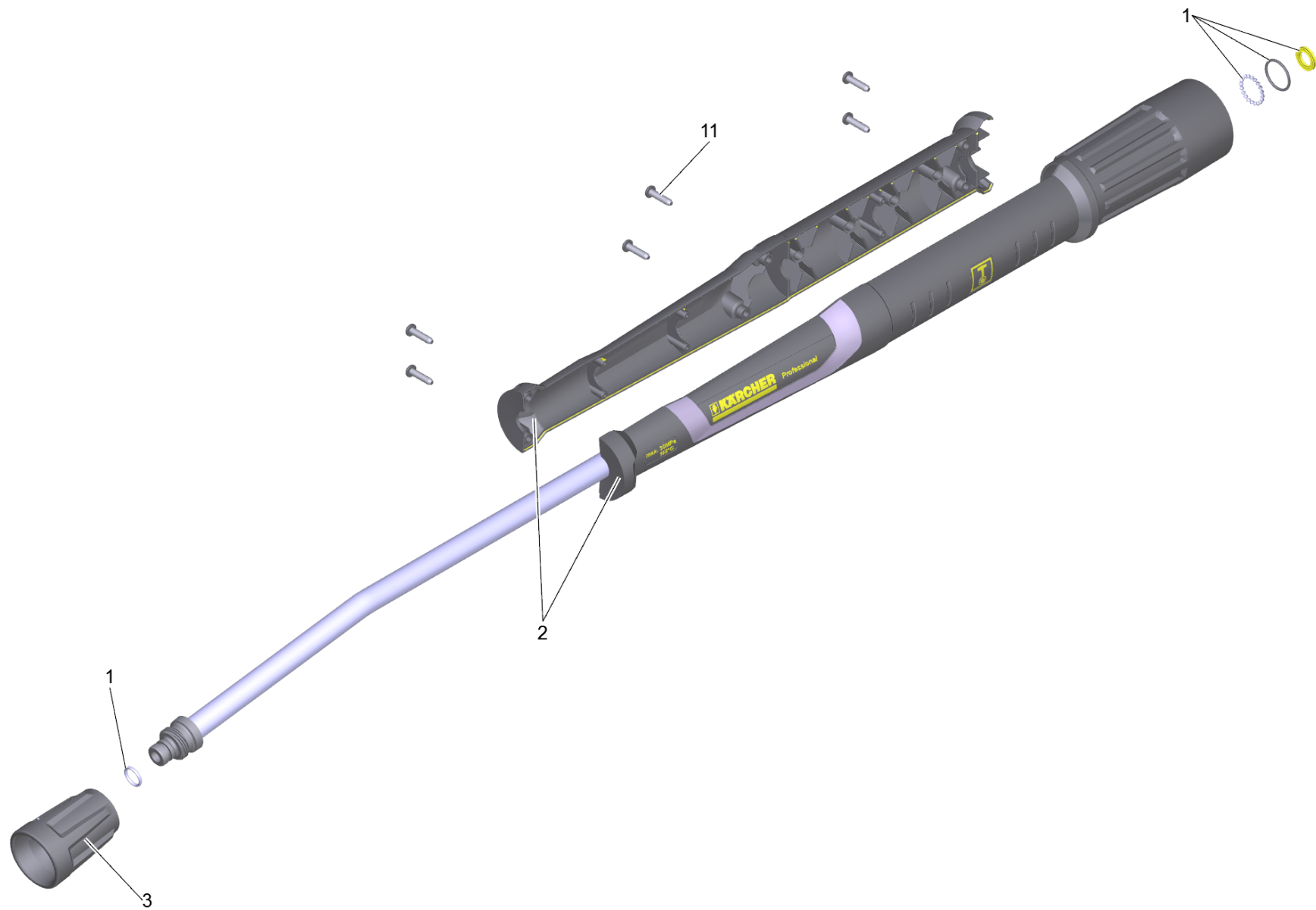
---

63 Jet pipe TR 840 mm (4.112-006.0)

---

<b>POS</b>	<b>Description</b>	<b>Quantity</b>	<b>Unit</b>
1	Jet pipe TR 840 mm	1.000	ST

---



## 1 Jet pipe TR 840 mm

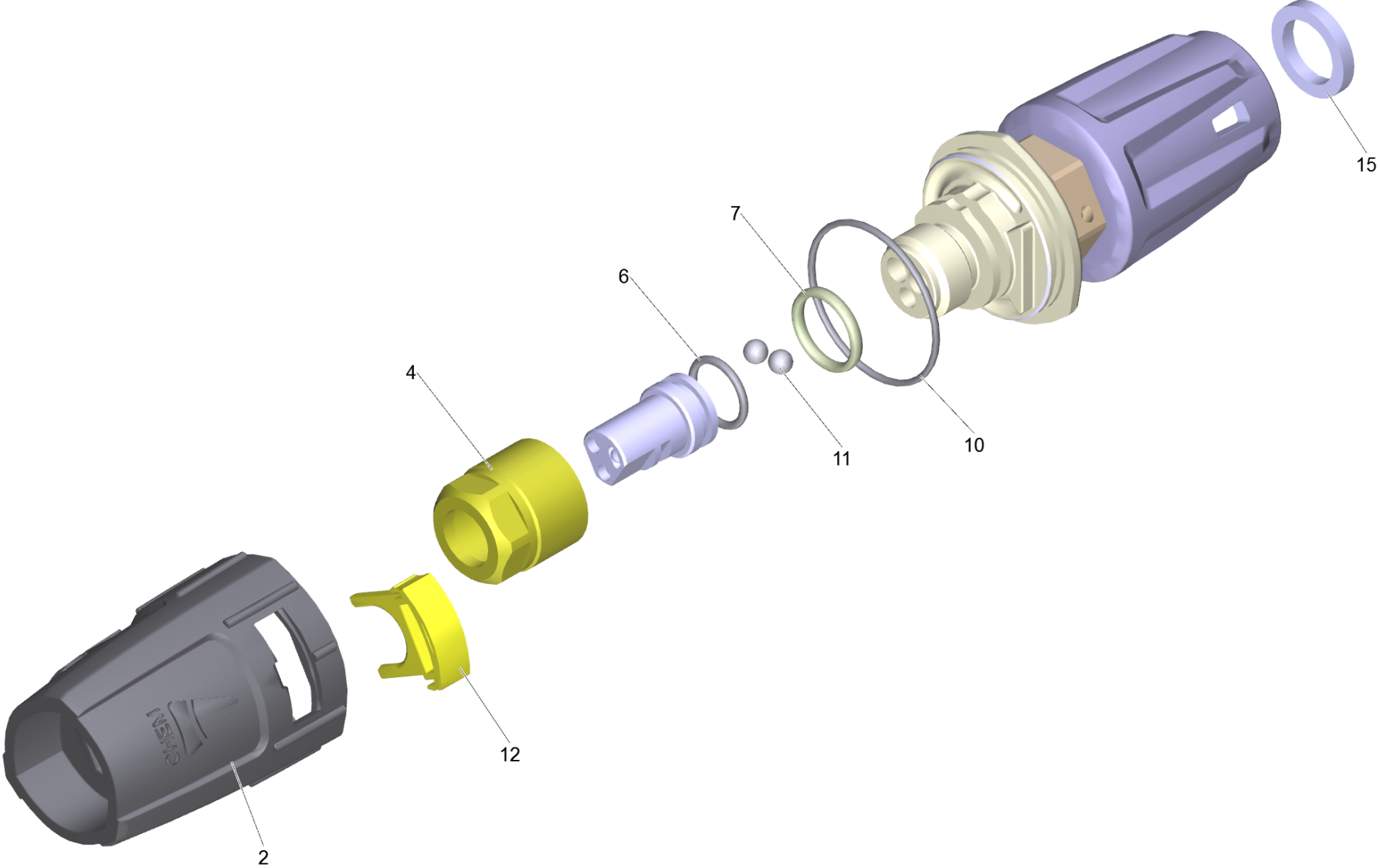
---

<b>POS</b>	<b>Article no.</b>	<b>Description</b>	<b>Quantity</b>	<b>Unit</b>
1	4.100-688.0	Spare part set seal TR	1.000	ST
2	5.321-018.3	Handle bowl jet pipe only for replacemen	1.000	ST
3	4.112-011.0	Protection part TR only for replacement	1.000	ST
11	7.303-129.0	Screw 4x16 -10.9-R2R (K-In6Rd)	6.000	ST

902 Triple jet nozzle TR 027 (4.117-023.0)

---

POS	Description	Quantity	Unit
1	Triple jet nozzle TR 027	1.000	ST

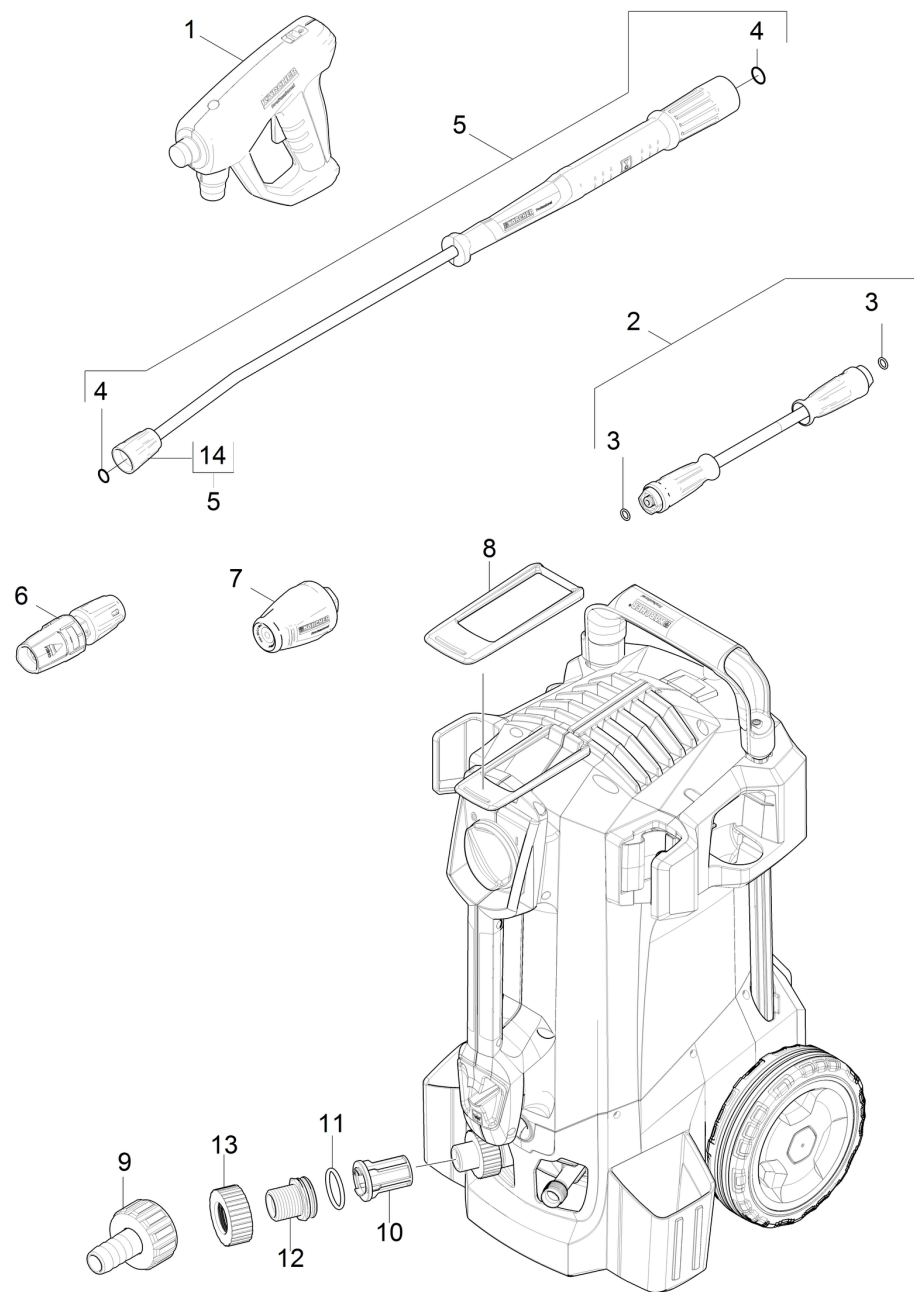


## 1 Triple jet nozzle TR 027

---

<b>POS</b>	<b>Article no.</b>	<b>Description</b>	<b>Quantity</b>	<b>Unit</b>
2	5.394-859.0	Protection part	1.000	ST
4	5.311-225.0	Nut	1.000	ST
6	6.362-480.0	O-Ring seal 12,42x 1,78	1.000	ST
7	6.362-460.0	O-Ring seal 14,0 X 2,5-NBR 70	1.000	ST
10	6.362-409.0	O-Ring seal 32,0 X 1,5	1.000	ST
11	7.401-902.0	Sphere 5 G20 -1.4034 DIN 5401	2.000	ST
12	5.321-884.0	Clamp	1.000	ST
15	6.363-696.0	Brake ring 14x20x3	1.000	ST





## 50 Short spare parts list

POS	Article no.	Description	Quantity	Unit
1	4.118-005.0	EASY!Force Advanced	1.000	ST
2	6.110-034.0	Hose assembly TR DN6 25MPa 10m	1.000	ST
3	2.880-154.0	O-Ring kit	1.000	ST
4	2.880-001.0	Spare part set seals TR	2.000	ST
5	4.112-006.0	Jet pipe TR 840 mm	1.000	ST
6	4.117-023.0	Triple jet nozzle TR 027	1.000	ST
7	4.114-018.0	Dirt blaster TR 030 LowEnd	1.000	ST
8	5.379-043.0	Strap	1.000	ST
9	4.401-056.0	Screw connector part	1.000	ST
10	5.731-059.0	Filter cartridge with cone (mesh 100)	1.000	ST
11	6.363-437.0	O-Ring seal 30x3	1.000	ST
12	5.064-517.0	Connection piece water intake G 3/4 A	1.000	ST
13	5.064-465.0	Nut water intake	1.000	ST
14	4.112-011.0	Protection part TR only for replacement	1.000	ST