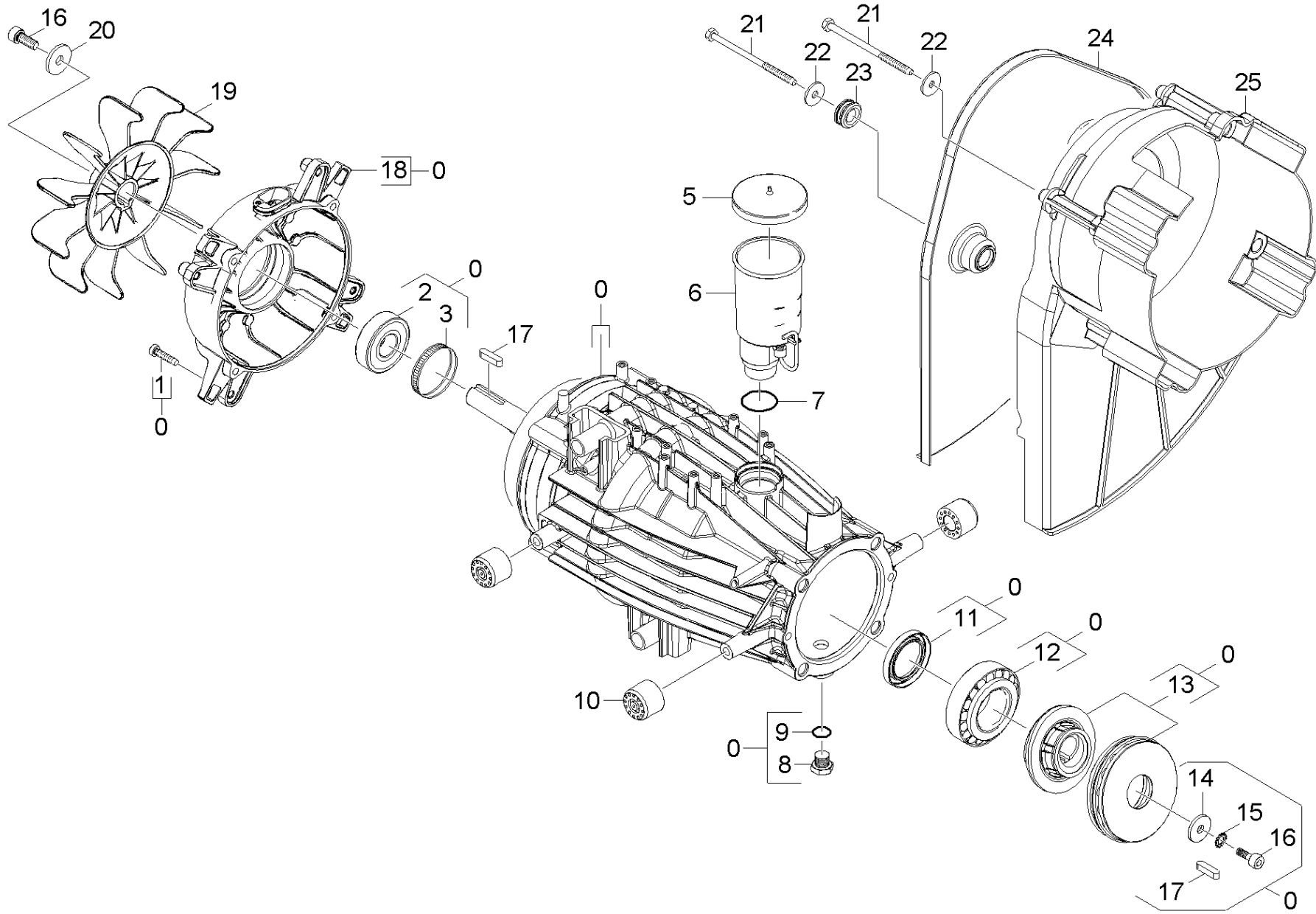


31 Motor

Overview technical documents/Professional/High pressure cleaner hotwater/Electric motor/HDS-E 8/16-4 M 24KW *EU-I (1.030-260.0)/Spare parts list HDS-E 8/16-4M 24 KW/30 Motor/31 Motor



31 Motor

Overview technical documents/Professional/High pressure cleaner hotwater/Electric motor/HDS-E 8/16-4 M 24KW *EU-I (1.030-260.0)/Spare parts list HDS-E 8/16-4M 24 KW/30 Motor/31 Motor

| Rez.daļas/nodil.pakļ.daļas | Poz. | Materiāla Nr. | Nosaukums | Daudzums | Pārdoš. vienība |
|----------------------------|------|---------------|--|----------|-----------------|
| | 0 | 4.624-058.0 | Motor complete only for replacement | 1.000 | ST |
| | 1 | 6.303-515.0 | Self-tapping screw M6x25 | 4.000 | ST |
| X-X | 2 | 6.401-253.0 | Lodīšu gultnis 6305-2Z | 1.000 | ST |
| X-X | 3 | 6.343-010.0 | Montāžas distancgredzens 62x10 | 1.000 | ST |
| X-X | 5 | 5.064-459.0 | Cover grey | 1.000 | ST |
| X-X | 6 | 4.070-904.0 | Tank only for replacement | 1.000 | ST |
| X-X | 7 | 6.362-722.0 | O-Ring seal 28,0 X 3,0 | 1.000 | ST |
| | 8 | 5.411-100.0 | screw plug | 1.000 | ST |
| | 9 | 6.362-028.0 | O-Ring seal 11x2,2 NBR 70 | 1.000 | ST |
| X | 10 | 5.767-005.0 | Gumijas buferis | 4.000 | ST |
| X-X | 11 | 7.367-009.0 | Vārpstas blīvslēgs A35x52x7-NBR DIN | 1.000 | ST |
| X-X | 12 | 6.401-405.0 | taper roller bearing | 1.000 | ST |
| X-X | 13 | 4.120-234.0 | Wobble plate complete only for replaceme | 1.000 | ST |
| | 14 | 5.115-565.0 | washer | 1.000 | ST |
| | 15 | 7.312-159.0 | toothed lock washer | 1.000 | ST |
| X-X | 16 | 7.306-041.0 | cylinder head screw | 2.000 | ST |
| X-X | 17 | 7.318-030.0 | Parallel key 6x6x25 -C45R DIN 6885-1 | 2.000 | ST |
| X-X | 18 | 5.061-186.0 | Bearing cover B | 1.000 | ST |
| X-X | 19 | 5.600-087.0 | Blower wheel | 1.000 | ST |
| | 20 | 7.312-261.0 | Washer 8-100HV-A3E ISO 7094 | 1.000 | ST |
| | 21 | 6.303-517.0 | Self-tapping screw M6x100 | 4.000 | ST |
| X-X | 22 | 7.312-260.0 | washer | 4.000 | ST |
| X | 23 | 5.379-019.0 | rubber ring | 2.000 | ST |
| | 24 | 5.605-376.0 | Blower cover | 1.000 | ST |
| | 25 | 5.692-088.0 | Air circulation | 1.000 | ST |