

Spare parts list

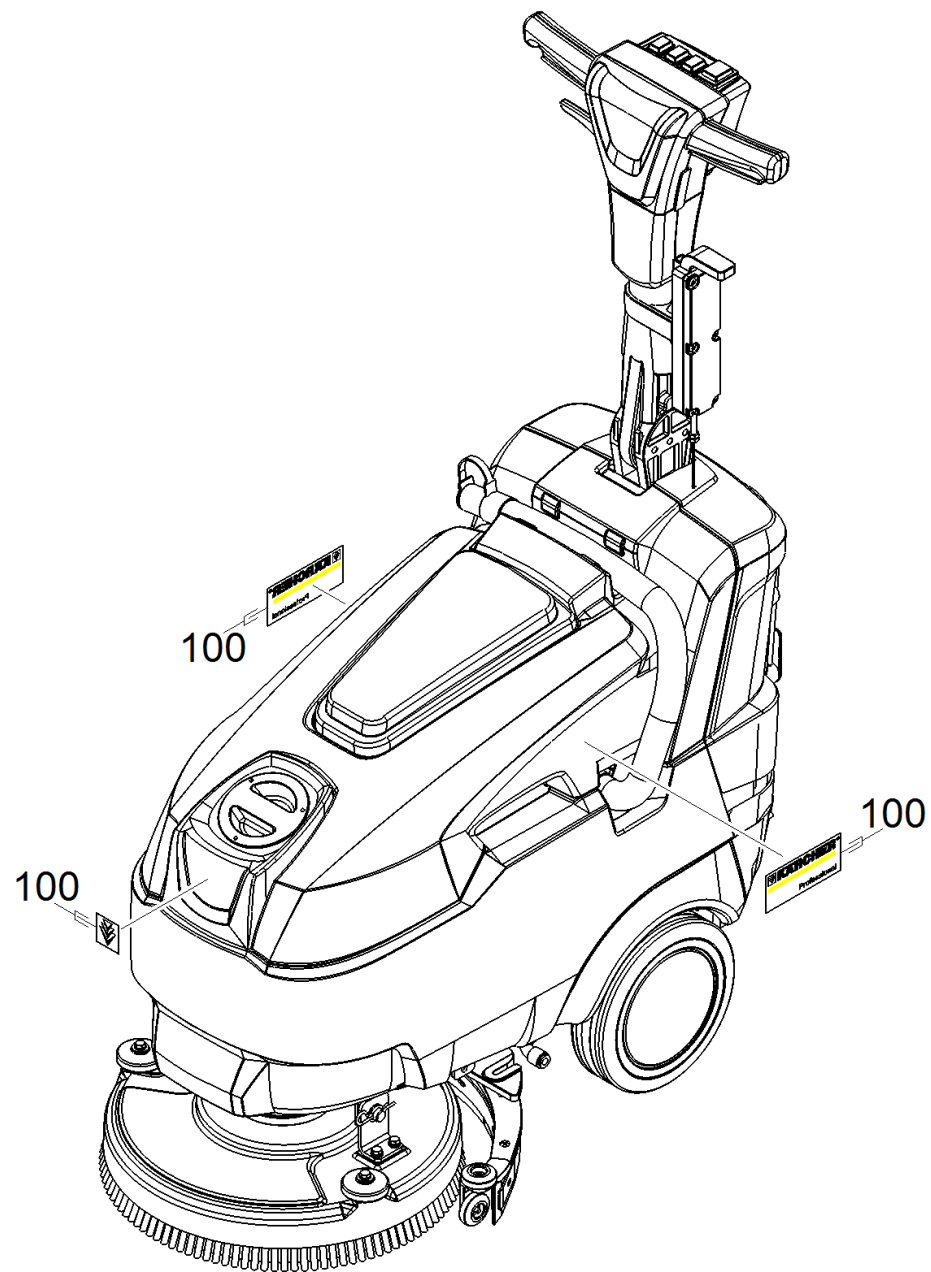
(1.783-401.0) BD 40/12 C Bp Pack

Table of contents

BD 40/12 C Bp Pack (1.783-401.0)	3
Spare parts list BD 40/12 C (5.971-165.0)	4
10 Hand grip	6
11 Handhold	7
12 Bracket handhold	9
20 Frame	11
30 Tank	14
31 Tank fresh water	15
32 Tank waste water	17
40 Power brush	19
41 Power brush transmission	20
42 Power brush splash guard	22

BD 40/12 C Bp Pack (1.783-401.0)

POS	Article no.	Description	Quantity	Unit
0	5.971-165.0	Spare parts list BD 40/12 C	1.000	ST

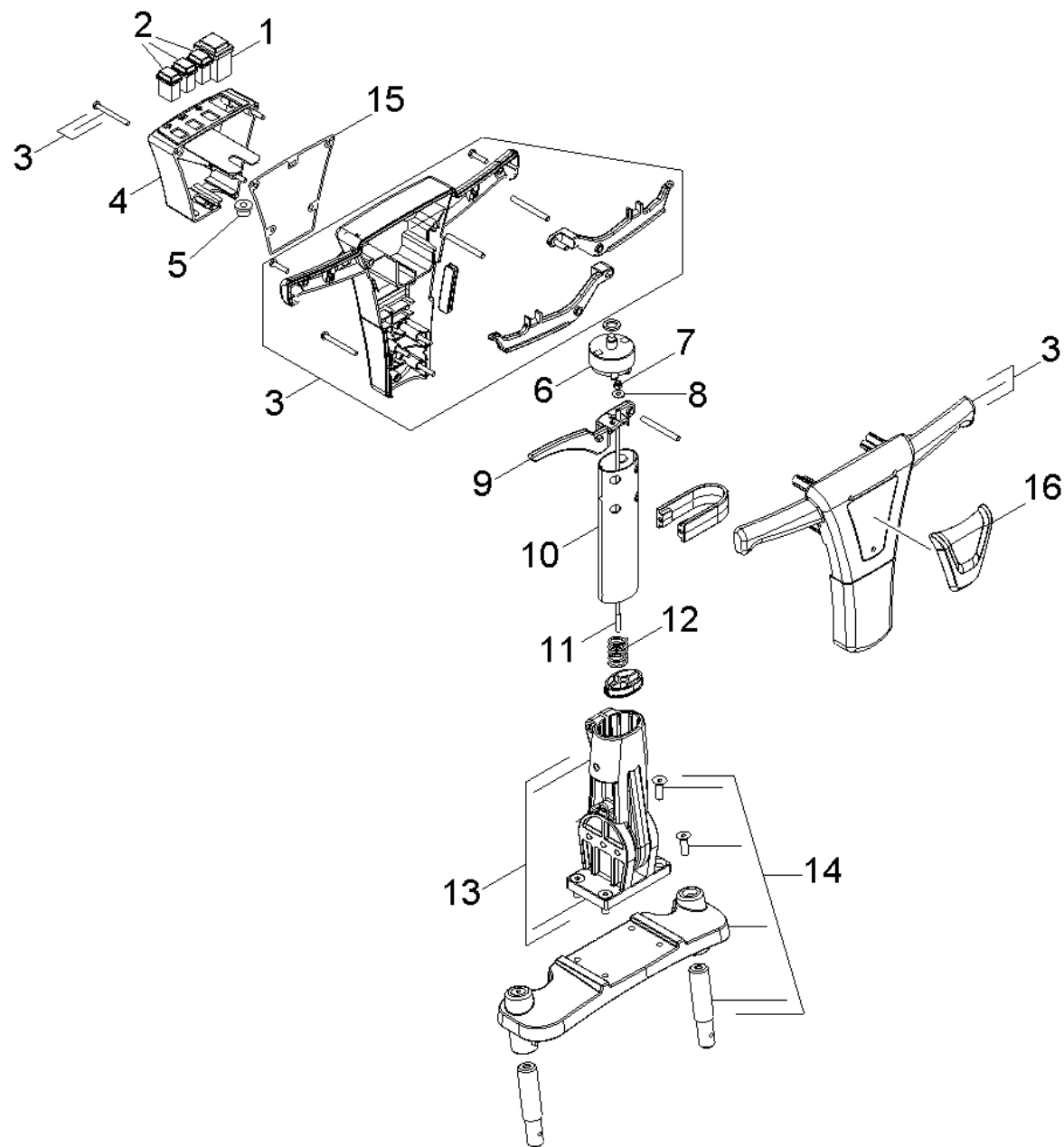


Spare parts list BD 40/12 C (5.971-165.0)

POS	Article no.	Description	Quantity	Unit
10		Hand grip	1.000	ST
20		Frame	1.000	ST
30		Tank	1.000	ST
40		Power brush	1.000	ST
100	6.680-184.0	Set label replacement BD 40/12	1.000	ST

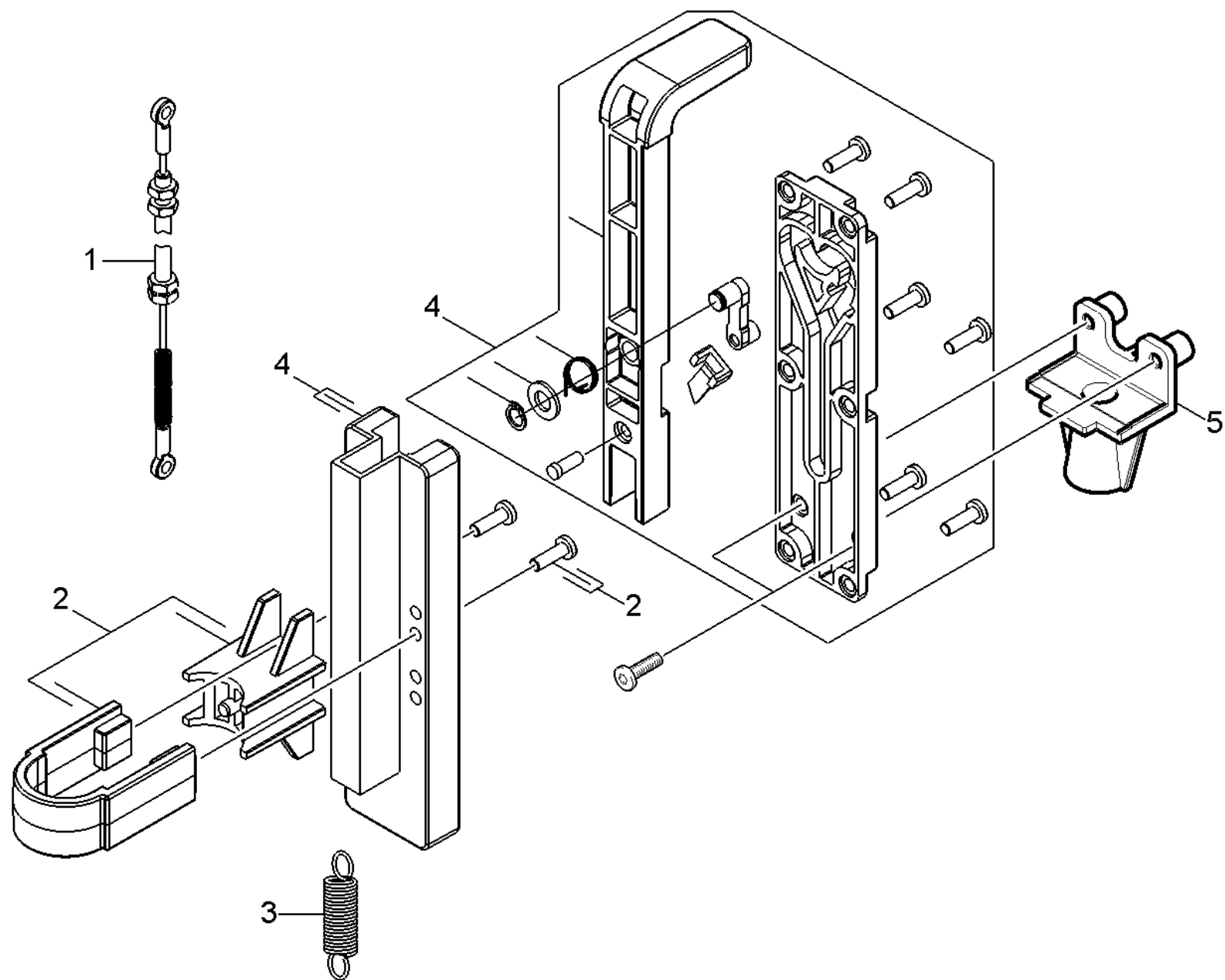
10 Hand grip

POS	Description	Quantity	Unit
11	Handhold	1.000	ST
12	Bracket handhold	1.000	ST



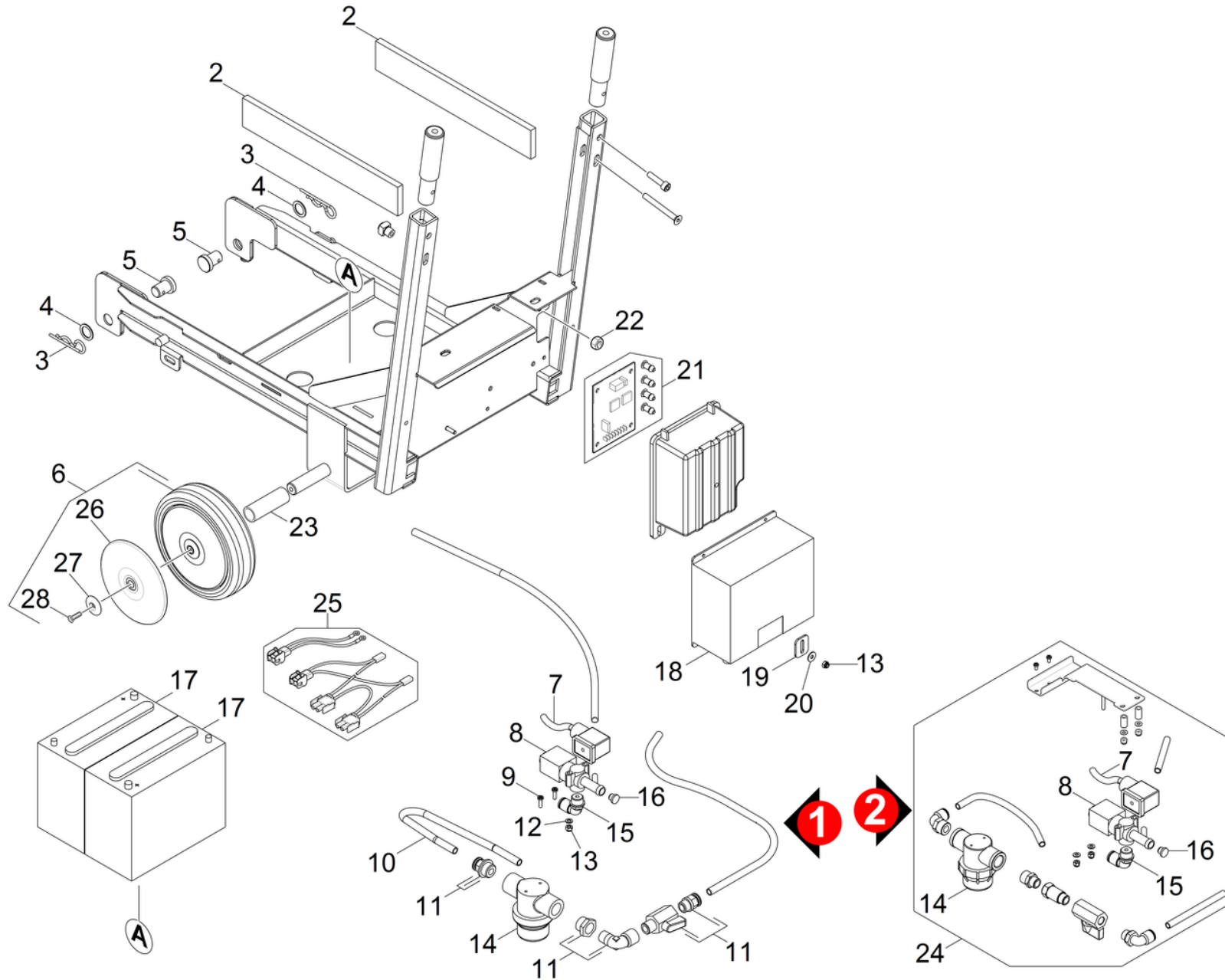
11 Handhold

POS	Article no.	Description	Quantity	Unit	Foot note text
1	6.680-102.0	Display	1.000	ST	
2	6.680-103.0	Switch set	3.000	ST	
3	6.680-101.0	Hand grip complete	1.000	ST	
4	6.680-099.0	Housing switch	1.000	ST	
5	6.680-119.0	Bend protection	1.000	ST	
6	6.635-465.0	Switch on/off	1.000	ST	
7	7.311-029.0	Hexagon nut M 5-A4-70 ISO 7042	1.000	ST	
8	7.312-282.0	Washer 5 -A2 ISO 7093-1	1.000	ST	
9	6.680-104.0	Handhold	1.000	ST	
10	6.680-105.0	Push handle	1.000	ST	
11	6.680-121.0	Rod	1.000	ST	
12	6.680-106.0	Spring	1.000	ST	
13	6.680-107.0	Assembly group joint	1.000	ST	
14	6.680-108.0	Plate set	1.000	ST	
15	6.680-100.0	Seal housing	1.000	ST	
16	5.034-030.0	Screen handhold neutrally	1.000	ST	GREY
16	5.033-758.0	Screen handhold	1.000	ST	YELLOW



12 Bracket handhold

POS	Article no.	Description	Quantity	Unit
1	6.680-111.0	Bowden wire	1.000	ST
2	6.680-109.0	Support set	1.000	ST
3	6.680-112.0	Extension spring	1.000	ST
4	6.680-110.0	Housing lever set	1.000	ST
5	5.394-901.0	Protection part for bowden wire BD 40/12 C	1.000	ST



20 Frame

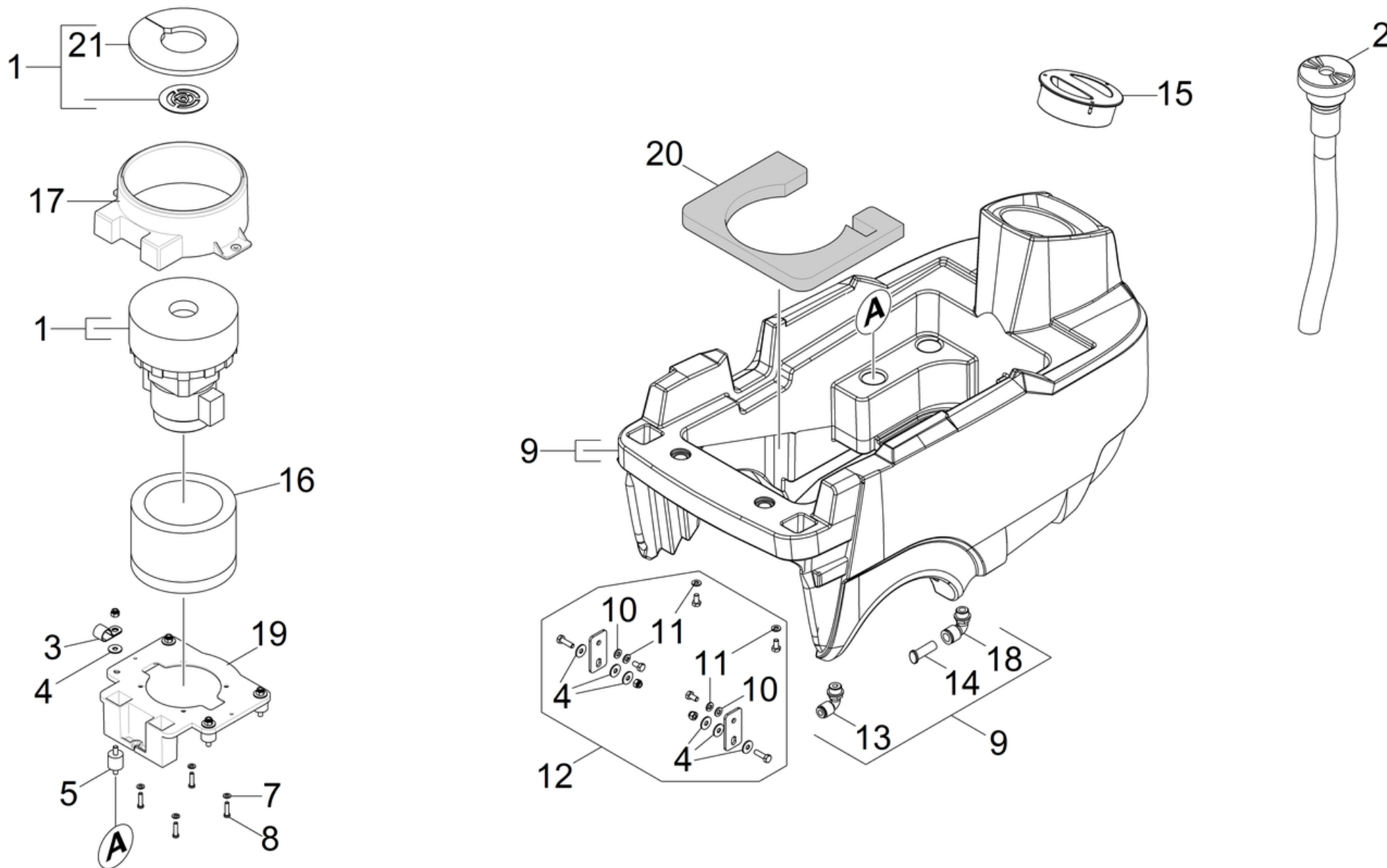
POS	Article no.	Description	Quantity	Unit	Remark	Foot note text
2	6.680-053.0	Distance holder for battery	2.000	ST		
3	6.680-054.0	Spring clip	2.000	ST		
4	6.680-055.0	Washer D.15 DIN125 A2	2.000	ST		
5	6.680-056.0	Bolt brush-head	2.000	ST		
6	6.680-064.0	Wheel complete	2.000	ST		
7	6.680-059.0	Connection cable solenoid valve	1.000	ST		
8	6.680-060.0	Solenoid valve 1/4"	1.000	ST		
9	7.303-102.0	Screw 3,5x12 -A2-70-bk (In6Rd)	2.000	ST		
10	6.680-061.0	Hose AD=8mm ID=5mm	1.000	M		
11	6.680-063.0	Water tap kit	1.000	ST		VERSION 1
12	7.312-067.0	Washer 4-A2 ISO 7089	2.000	ST		
13	7.311-424.0	Hexagon nut M4 -8-A2E ISO 7040	3.000	ST		
14	6.680-062.0	Water filter 3/8"	1.000	ST		
15	6.680-065.0	Angle connection 1/4"	1.000	ST		
16	6.680-066.0	Cover plate	1.000	ST		
17	6.654-275.0	Drive battery maintenance free 12V , 25A	2.000	ST		
18	6.680-179.0	Battery charger 24V/5AH ,120V	1.000	ST		
	Item text1: 1.783-404.0					
18	6.680-163.0	Battery charger BD 40/12 C *JP	1.000	ST	*JP	
	Item text1: 1.783-403.0					
18	6.680-068.0	Battery charger 24V 4,5A	1.000	ST	*EU	
	Item text1: 1.783-401.0 / -402.0					
19	6.680-069.0	Plate bracket	1.000	ST		
20	7.312-293.0	Washer 4-A2 ISO 7093-1	1.000	ST		
21	6.680-160.0	Control system circuit board BD 40/12 C	1.000	ST		
22	7.311-067.0	Hexagon nut M 6-A2-70 ISO 4032	2.000	ST		
23	6.680-058.0	Bush	2.000	ST		
24	6.680-161.0	Add-on kit water distributor BD 40/12 C	1.000	ST		
25	6.680-167.0	Add-on kit cable connection Bat+Steuerun	1.000	ST		
26	6.680-175.0	Wheel cap BD 40/12 C	1.000	ST		

20 Frame

POS	Article no.	Description	Quantity	Unit	Remark	Foot note text
27	6.680-176.0	Washer for wheel cap nur für Ersatz	1.000	ST		
28	7.305-103.0	Countersunk screw M6x16 -8.8-A2E ISO 10	1.000	ST		

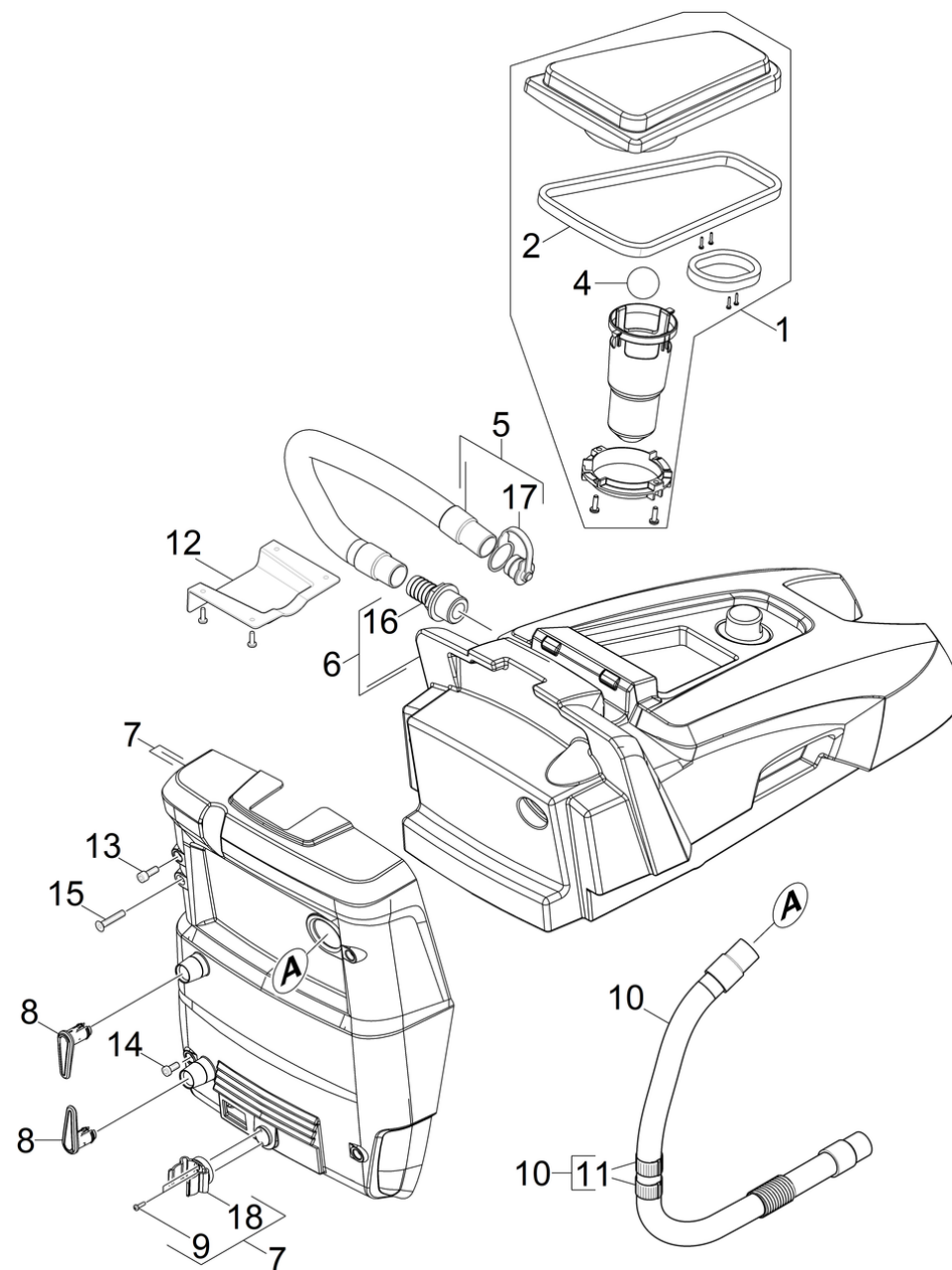
30 Tank

POS	Description	Quantity	Unit
31	Tank fresh water	1.000	ST
32	Tank waste water	1.000	ST



31 Tank fresh water

POS	Article no.	Description	Quantity	Unit
1	6.680-090.0	Set turbine complete	1.000	ST
2	6.680-124.0	Hose fresh water complete	1.000	ST
3	6.680-067.0	Clamp with rubber	1.000	ST
4	7.312-292.0	Washer 6 -A2 ISO 7093-1	10.000	ST
5	6.680-092.0	Rubber buffer	4.000	ST
7	6.303-320.0	Screw M 5x 20-St-R2R	4.000	ST
8	7.303-098.0	Screw 5x20 -10.9-R2R (K-In6Rd)	4.000	ST
9	6.680-094.0	Fresh water tank complete	1.000	ST
10	7.312-026.0	Washer 6 -A2 ISO 7089	2.000	ST
11	7.313-018.0	Spring washer B 6-1.4310 DIN 127	2.000	ST
12	6.680-095.0	Fixing tank set	1.000	ST
13	6.680-115.0	Connection 3/8"	1.000	ST
14	6.680-117.0	Cap closure D12	1.000	ST
15	5.050-359.0	Cover metering fresh water	1.000	ST
16	6.680-093.0	Sound insulation	1.000	ST
17	6.680-126.0	Guard ring for turbine	1.000	ST
18	6.680-116.0	Connection	1.000	ST
19	6.680-164.0	Holder turbine	1.000	ST
20	5.032-018.0	Covering cap fresh water tank	1.000	ST
21	6.680-113.0	Seal	1.000	ST

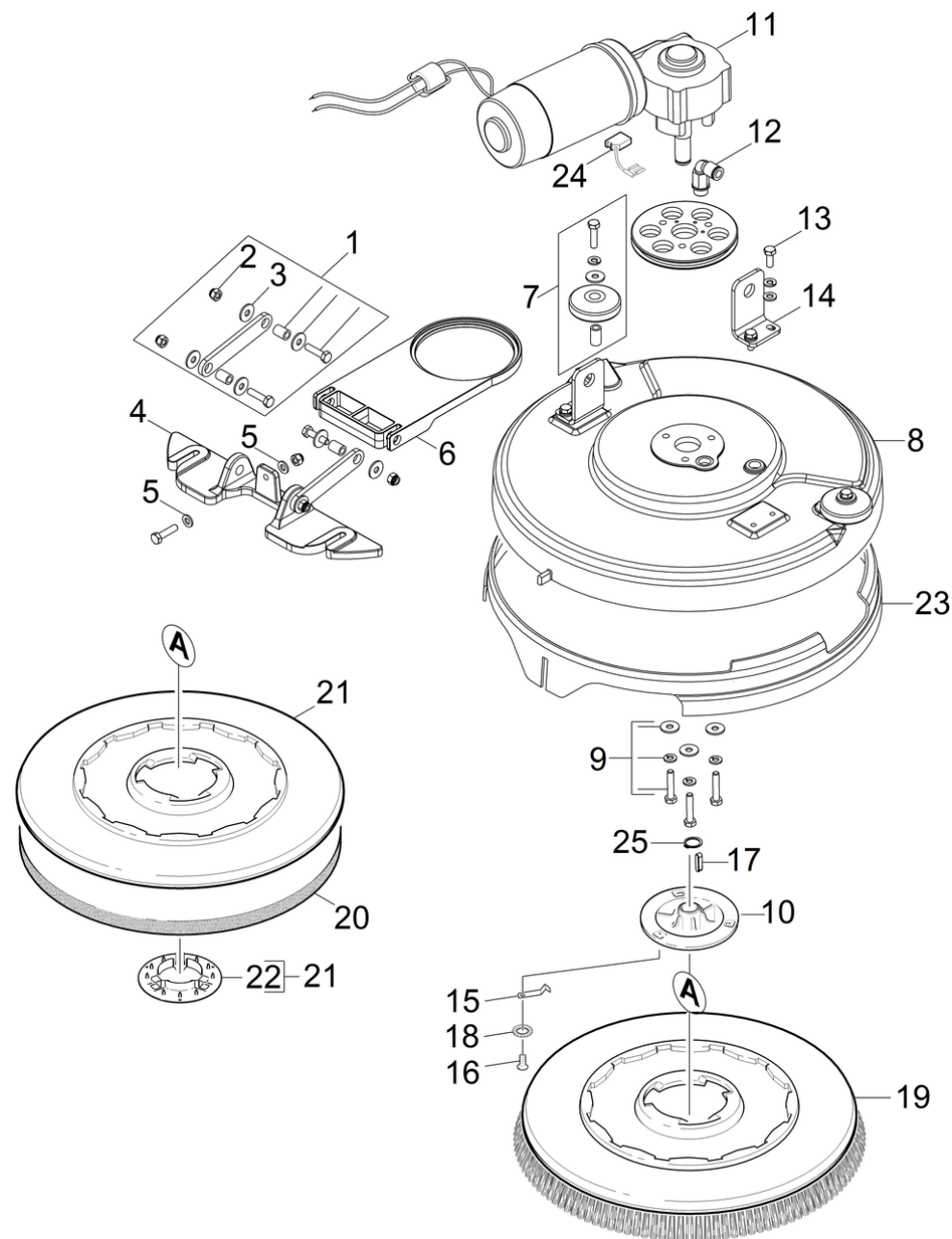


32 Tank waste water

POS	Article no.	Description	Quantity	Unit	Foot note text
1	6.680-165.0	Cover plate complete BD 40/12 C	1.000	ST	
2	6.680-083.0	Seal profile	1.000	ST	
4	6.680-118.0	Sphere D35	1.000	ST	
5	6.680-098.0	Drain hose set	1.000	ST	
6	6.680-097.0	Waste water tank complete	1.000	ST	GREY
6	6.680-148.0	Waste water tank complete yellow	1.000	ST	YELLOW
7	6.680-162.0	Covering cap cover complete	1.000	ST	
8	5.044-661.0	Catch for cable yellow	2.000	ST	
9	7.303-006.0	Sheet metal screw ST3,5X9,5-ST-A2E ISO	2.000	ST	
10	6.680-089.0	Hose extraction system	1.000	ST	
11	6.373-976.0	Clamp for drain hose	1.000	ST	
12	5.033-692.0	Covering cap waste water tank	1.000	ST	
13	7.306-143.0	Cylinder head screw M6x25 -A4-70 ISO 47	2.000	ST	
14	7.306-031.0	Screw M 6x16-A2-70 DIN 7984	2.000	ST	
15	7.305-613.0	Countersunk screw M 6x50-A2-70 ISO 2010	1.000	ST	
16	6.680-177.0	Connection nipple BD 40/12 C	1.000	ST	
17	6.680-188.0	Cover plate drain hose BD 40/12 C	1.000	ST	
18	6.680-189.0	Clamp BD 40/12	1.000	ST	

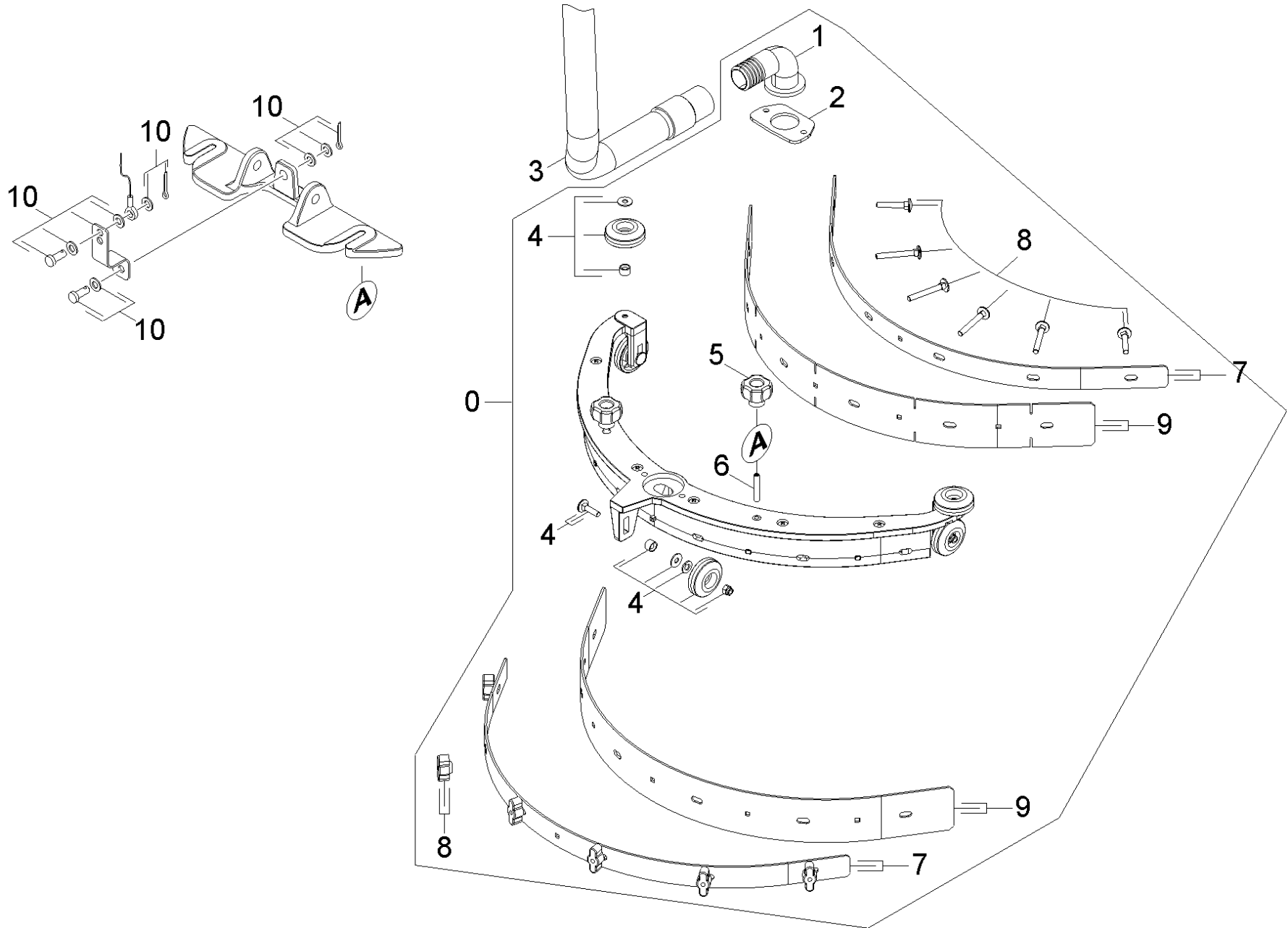
40 Power brush

POS	Description	Quantity	Unit
41	Power brush transmission	1.000	ST
42	Power brush splash guard	1.000	ST



41 Power brush transmission

POS	Article no.	Description	Quantity	Unit	Foot note text
1	6.680-071.0	Plate holder set	2.000	ST	
2	7.311-022.0	Hexagon nut M 6-A2-70 ISO 7040	2.000	ST	
3	7.312-292.0	Washer 6 -A2 ISO 7093-1	4.000	ST	
4	6.680-072.0	Rocker suction bar	1.000	ST	
5	7.312-026.0	Washer 6 -A2 ISO 7089	6.000	ST	
6	6.680-074.0	Boom brush housing set	1.000	ST	
7	6.680-073.0	Deflector roll set	1.000	ST	
8	6.680-075.0	Cover	1.000	ST	
9	6.680-076.0	Fixing motor set	3.000	ST	
10	6.680-190.0	Flange worked BD 40/12 C	1.000	ST	
11	6.680-077.0	Gear motor	1.000	ST	
12	6.680-078.0	Connection 1/4"	1.000	ST	
13	7.304-536.0	Hexagonal head screw M 6x20-A4-70 ISO 4	4.000	ST	
14	6.680-079.0	Angle	2.000	ST	
15	5.337-033.0	Plate spring	3.000	ST	
16	7.306-213.0	Screw M5x6 -A2-70 (In6Rd)	3.000	ST	
17	7.318-070.0	Parallel key 5x5x20-C45K DIN 6885-1	1.000	ST	
18	7.312-041.0	Serrated lock washer A5,3-1.4310 DIN 67	3.000	ST	
19	6.907-154.0	Disc brush white	1.000	ST	
19	6.907-153.0	Disc brush nature	1.000	ST	
19	6.907-151.0	Disc brush red	1.000	ST	
19	6.907-152.0	Disc brush black	1.000	ST	
20	6.371-250.0	Diamond pad white set 5x Ø356	1.000	ST	WHITE
20	6.371-251.0	Diamond pad yellow set 5x Ø356	1.000	ST	YELLOW
20	6.371-235.0	Diamond pad green set 5x Ø356	1.000	ST	GREEN
20	6.369-003.0	Pad red	1.000	ZSA	
20	6.369-002.0	Pad green	1.000	ZSA	
20	6.369-001.0	Pad black set 5x	1.000	ZSA	
21	6.907-150.0	Disk pad 355	1.000	ST	
22	5.122-016.0	Centerlock reworking	1.000	ST	
23	6.680-174.0	Splash guard BD 40/12 C	1.000	ST	
24	6.613-335.0	Carbon brush set	1.000	ST	
25	7.343-015.0	Locking ring 15x1-FST-RF DIN 471	1.000	ST	



42 Power brush splash guard

POS	Article no.	Description	Quantity	Unit	Foot note text
0	6.680-082.0	Suction bar complete	1.000	ST	
1	6.680-080.0	Angle cleat	1.000	ST	
2	6.680-081.0	Retainer plate connection	1.000	ST	
3	6.680-089.0	Hose extraction system	1.000	ST	
4	6.680-084.0	Deflector roll set	5.000	ST	
5	6.680-125.0	Star grip BD 40/12 C	2.000	ST	
6	7.307-020.0	Threaded pin M5x30-A2-21H ISO 4026	2.000	ST	
7	6.680-088.0	Retainer plate suction lips set	1.000	ST	
8	6.680-087.0	Fixing suction lips set	1.000	ST	
9	6.680-086.0	Suction lip set oil resistant	1.000	ST	OIL RESISTANT
10	6.680-159.0	Add-on kit suction bar lifting BD 40/12 C	1.000	ST	