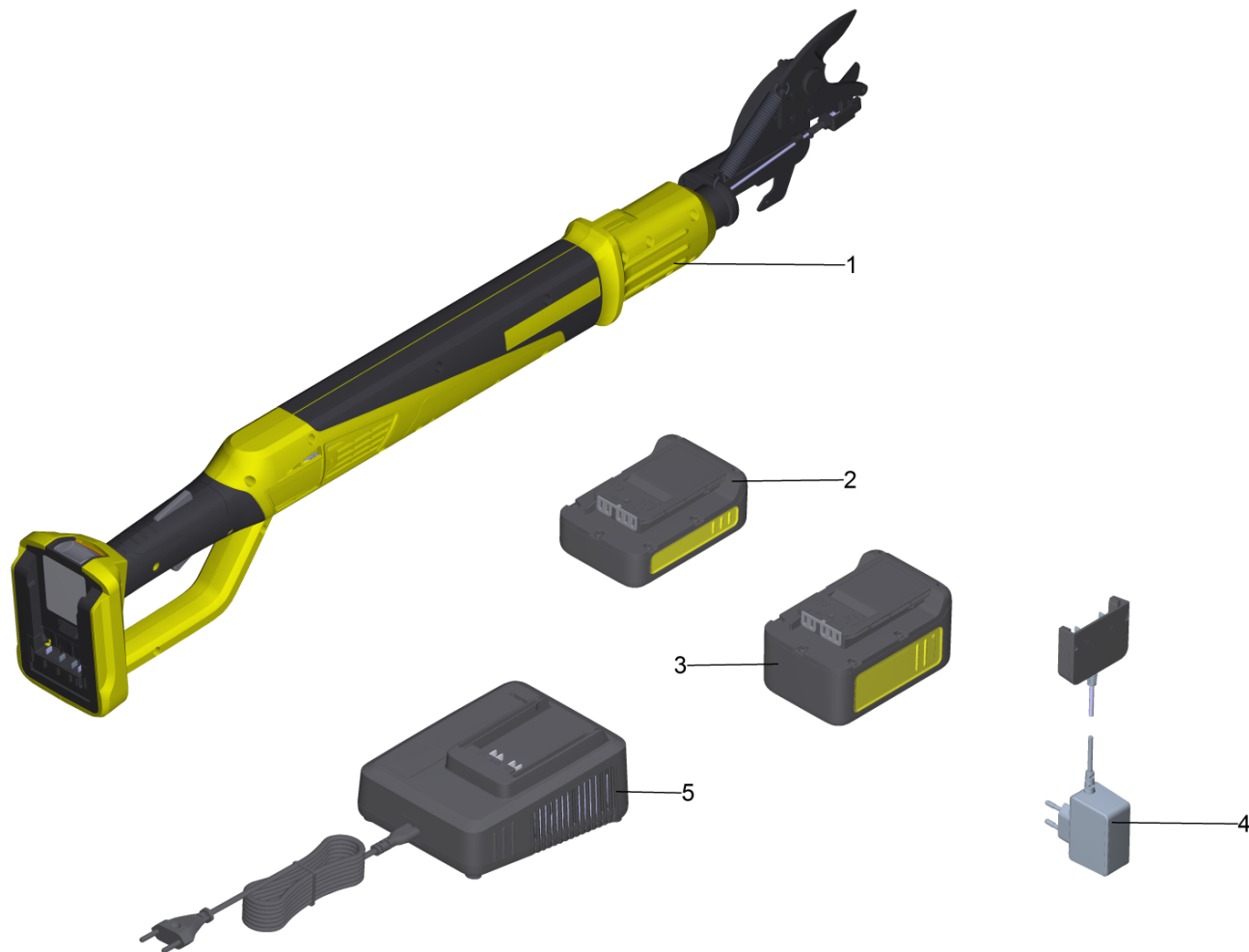


Spare parts list

(1.444-020.0) TLO 18-32 Battery *INT

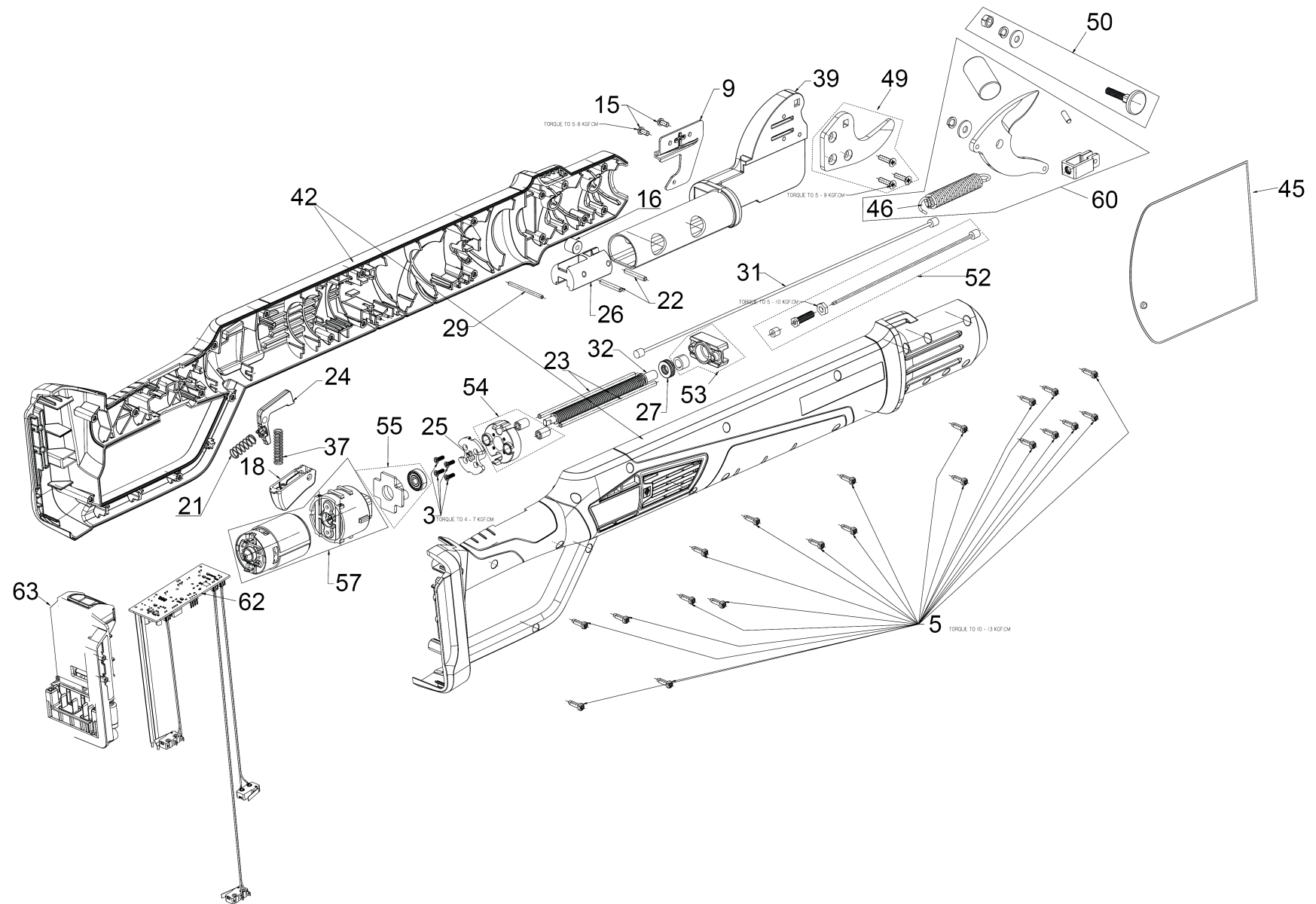
Table of contents

TLO 18-32 Battery *INT (1.444-020.0)	3
1 TLO 18-32 Battery *INT	5



TLO 18-32 Battery *INT (1.444-020.0)

POS	Article no.	Description	Quantity	Unit	Remark
1		TLO 18-32 Battery *INT	1	PC	
2	2.445-034.0	Battery Power 18/25 DW *INT	1	PC	18V/2,5Ah
3	2.445-035.0	Battery Power 18/50 DW *INT	1	PC	18V/5,0Ah
4	6.445-050.3	Plug-in charger packaged 18/5 *EU	1	PC	*EU
4	6.445-052.3	Plug-in charger packaged 18/5 *GB	1	PC	*GB
4	6.445-054.3	Plug-in charger Battery Power 18/5 *JP	1	PC	*JP
4	6.445-056.3	Plug-in charger Battery Power 18/5 *AU	1	PC	*AU
5	2.445-032.0	Fast battery recharger Battery Power 18 V *EU	1	PC	18V/2,5A *EU
5	2.445-036.0	Fast battery recharger Battery Power 18 V *GB	1	PC	18V/2,5A *GB
5	2.445-038.0	Fast battery recharger Battery Power 18 V *JP	1	PC	18V/2,5A *JP
5	2.445-040.0	Fast battery recharger Battery Power 18 V *AU	1	PC	18V/2,5A *AU
6	2.445-050.0	Battery charger Battery Power+ 18/60 *AU	1	PC	18V/6,0A *AU
6	2.445-052.0	Battery charger Battery Power+ 18/60 *CUL	1	PC	18V/6,0A *US
6	2.445-044.0	Battery charger Battery Power+ 18/60 *EU	1	PC	18V/6,0A *EU
6	2.445-048.0	Battery charger Battery Power+ 18/60 *JP	1	PC	18V/6,0A *JP
6	2.445-046.0	Battery charger Battery Power+ 18/60 *GB	1	PC	18V/6,0A *GB
7	2.445-054.0	Uni-Charger Battery Power+ 18-36/60 *EU	1	PC	18-36V/2,5-6A *EU
7	2.445-055.0	Uni-Charger Battery Power+ 18-36/60 *GB	1	PC	18-36V/2,5-6A *GB
7	2.445-056.0	Uni-Charger Battery Power+ 18-36/60 *JP	1	PC	18-36V/2,5-6A *JP
7	2.445-057.0	Uni-Charger Battery Power+ 18-36/60 *AU	1	PC	18-36V/2,5-6A *AU
7	2.445-058.0	Uni-Charger Battery Power+ 18-36/60 *CUL	1	PC	18-36V/2,5-6A *US
1021		Flyer battery platform 2020	1	PC	





1 TLO 18-32 Battery *INT

POS	Article no.	Description	Quantity	Unit
3	6.444-696.0	Screw	4	PC
5	6.444-120.0	Screw	20	PC
9	6.999-329.0	Hook Cutting head	1	PC
15	6.444-698.0	Screw	2	PC
16	6.444-699.0	Roller	1	PC
18	6.444-700.0	Pusher	1	PC
21	6.444-090.0	Spring	1	PC
22	6.444-702.0	Pin	2	PC
23	6.444-703.0	Threaded pin	2	PC
24	6.444-704.0	Lever	1	PC
25	6.444-705.0	Connecting flange	1	PC
26	6.444-706.0	Retainer roller	1	PC
27	6.444-707.0	Ball bearing	1	PC
29	6.444-708.0	Pin	1	PC
31	6.444-709.0	Wire rope	1	PC
32	6.444-710.0	Threaded rod	1	PC
37	6.444-711.0	Spring	1	PC
39	6.444-712.0	Cutting head	1	PC
42	6.444-757.0	Set housing	1	PC
45	6.444-453.0	Cover blade TLO 18-32	1	PC
46	6.444-713.0	Spring	1	PC
49	6.444-714.0	Set blade bottom	1	PC
50	6.445-140.0	Set screw nut	1	PC
52	6.444-715.0	Set threaded rod	1	PC
53	6.444-716.0	Housing set ball bearing	1	PC
54	6.444-717.0	Set slider	1	PC
55	6.444-718.0	Set housing ball bearing	1	PC
57	6.444-758.0	Gear motor	1	PC
58	5.444-216.0	Label Battery Power TLO 18-32	1	PC
59	5.444-217.0	Label safety information TLO 18-32	1	PC
60	4.444-130.0	Spare part set blade front	1	PC
61	5.444-219.0	Label Kaercher with logo TLO 18-32	1	PC
62	6.444-759.0	Electronics	1	PC

1 TLO 18-32 Battery *INT

POS	Article no.	Description	Quantity	Unit
63	4.444-128.0	Battery rail complete 18V	1	PC
64	5.444-218.0	Label safety information hand TLO 18-32	1	PC