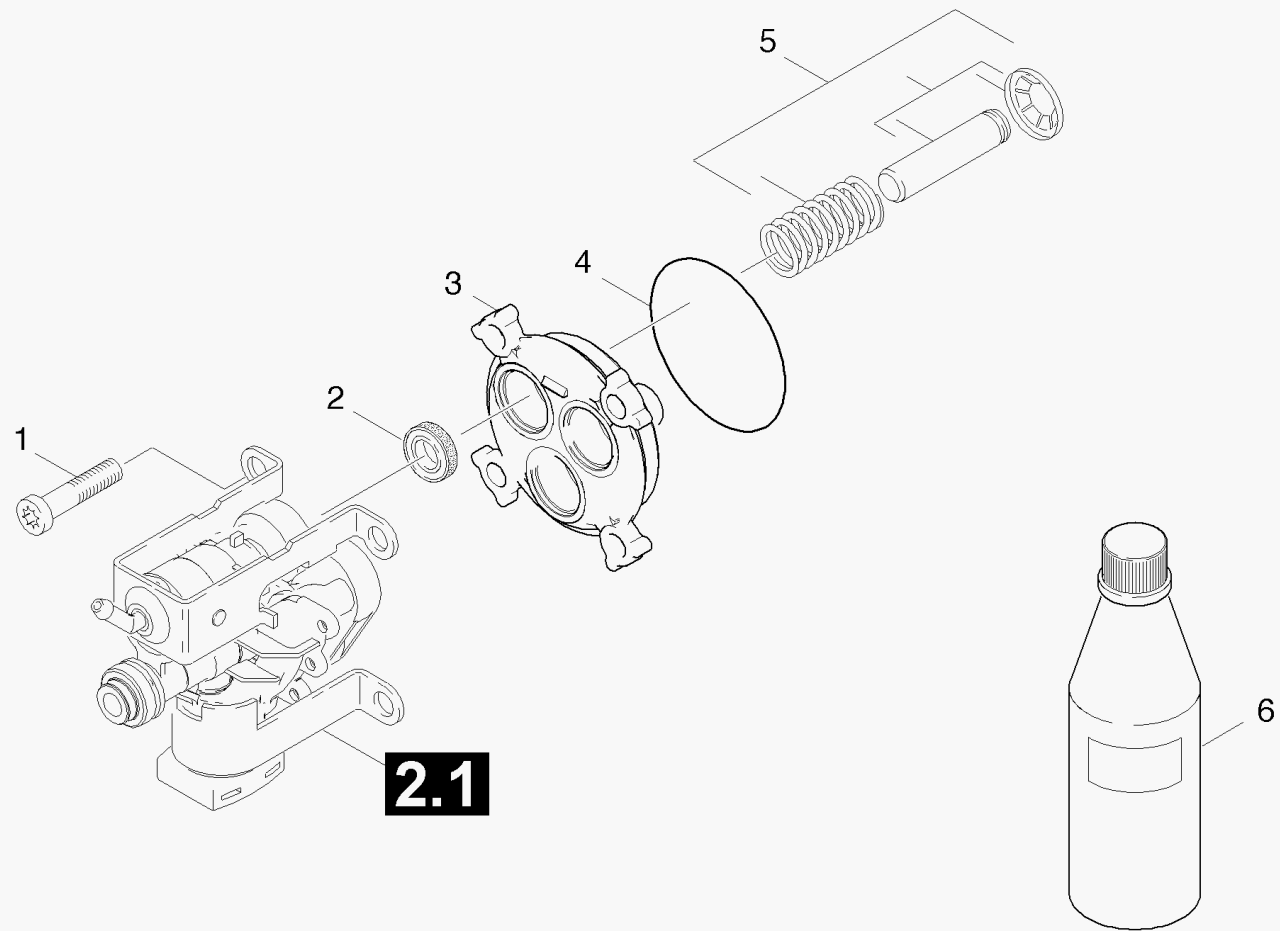


## 22 Thrust guidance

Home and Garden \ High pressure cleaner cold water \ Electric motor \ K 2 \ K 2.31M Plus \*EU \ Spare parts list K2.31M \*EU \ Pump set \ Thrust guidance



## 22 Thrust guidance

Home and Garden \ High pressure cleaner cold water \ Electric motor \ K 2 \ K 2.31M Plus \*EU \ Spare parts list K2.31M \*EU \ Pump set \ Thrust guidance



POS	Article no.	Description	Quantity	Unit
1	6.303-315.0	Screw 8 x 35	4	PC
2	6.365-393.0	Oil sealing 12x20x4/6	3	PC
3	5.060-983.0	Thrust guidance with reinforcement Ratio	1	PC
4	6.362-902.0	O-Ring 60x2,5 NBR 70	1	PC
5	2.884-313.0	Spare part set piston complete GSF	3	PC
6	6.288-112.0	Engine oil 10W-60, 1L	1	PC