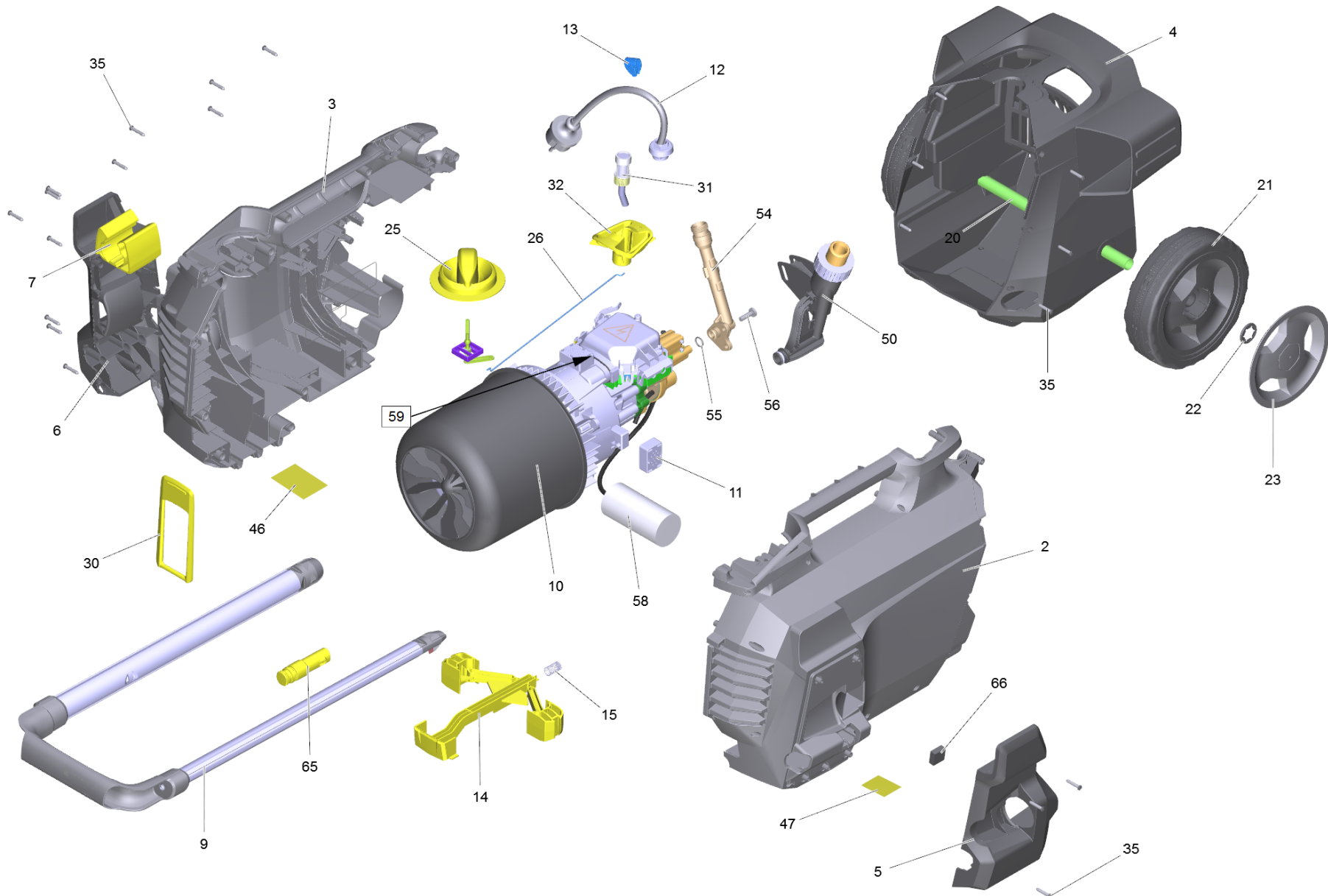


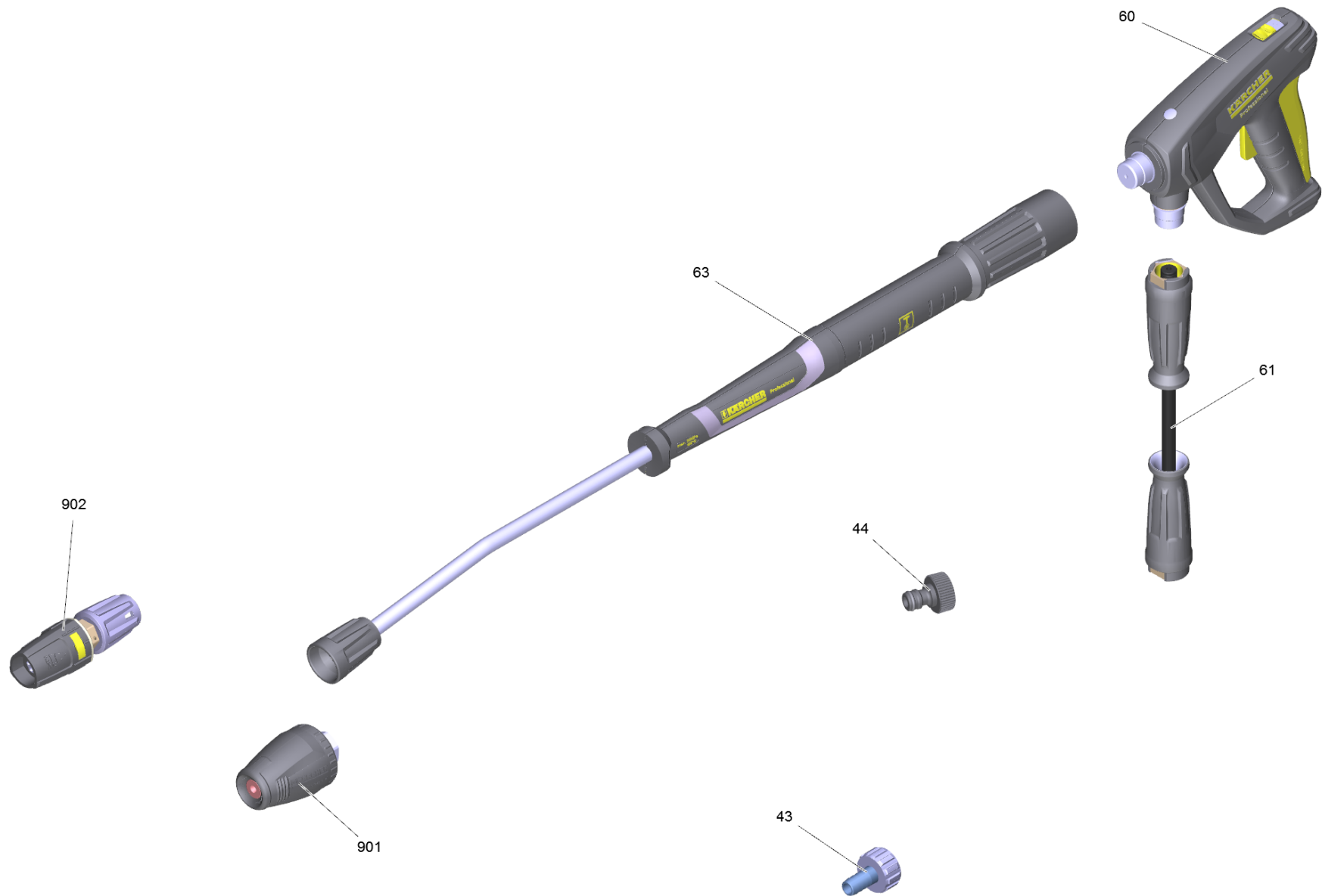
Spare parts list high-pressure 5/12 C PI (5.974-201.0)

Professional \ High pressure cleaner cold water \ Electric motor \ HD 5/12 C Plus *EU \ Spare parts list high-pressure 5/12 C PI



Spare parts list high-pressure 5/12 C PI (5.974-201.0)

Professional \ High pressure cleaner cold water \ Electric motor \ HD 5/12 C Plus *EU \ Spare parts list high-pressure 5/12 C PI



Spare parts list high-pressure 5/12 C PI (5.974-201.0)

Professional \ High pressure cleaner cold water \ Electric motor \ HD 5/12 C Plus *EU \ Spare parts list high-pressure 5/12 C PI



POS	Article no.	Description	Quantity	Unit
20	5.105-399.0	Axle	1.000	ST
13	6.647-681.0	Cable clip	1.000	ST
12	6.650-201.0	Cable with plug *EU	1.000	ST
58	6.650-109.0	Capacitor with cable 40 µF (Silikon)	1.000	ST
44	6.465-031.0	Connection 3/4	1.000	ST
32	5.645-841.0	Cover cleaning agents	1.000	ST
901	4.114-019.0	Dirt blaster TR 035 LowEnd	1.000	ST
60	4.118-005.0	EASY!Force Advanced	1.000	ST
31		Filter with hose RM 1,05	1.000	ST
9		Handhold complete	1.000	ST
25	4.324-057.0	Handle complete	1.000	ST
15	5.332-001.0	Helical spring	1.000	ST
54	5.789-071.3	High-pressure outlet packaged for replac	1.000	ST
7	5.645-938.0	Holder jet pipe	1.000	ST
5	5.646-025.0	Holder left	1.000	ST
6	5.646-024.0	Holder right	1.000	ST
61	6.110-034.0	Hose assembly TR DN6 25MPa 10m	1.000	ST
4	5.645-654.0	Housing bottom	1.000	ST
2	5.646-048.3	Housing left for replacement	1.000	ST
3	5.646-049.3	Housing right for replacement	1.000	ST
63	4.112-006.0	Jet pipe TR 840 mm	1.000	ST
46	5.384-671.0	Label 88 dB	1.000	ST
14	5.645-675.0	Locking part	1.000	ST
22	6.343-168.0	Lock washer	2.000	ST
55	6.362-151.0	O-Ring d. 10 x 2 NBR 70	1.000	ST
10		Pump set complete HD 5/12	1.000	ST
65	5.646-026.0	Retainer accessories	1.000	ST
11	5.767-029.0	Rubber buffer	4.000	ST
35	6.303-566.0	Screw 4,2x22 R2R	24.000	ST
43	4.401-056.0	Screw connector part	1.000	ST
59	7.303-031.0	Screw M4x10 -St-P2R (In6Rd)	1.000	ST
56	7.306-092.0	Screw M6x20-ST- 8.8-R3R (IN6RD)	2.000	ST
66	6.273-135.0	Sealing strip	1.000	ST

Spare parts list high-pressure 5/12 C PI (5.974-201.0)

Professional \ High pressure cleaner cold water \ Electric motor \ HD 5/12 C Plus *EU \ Spare parts list high-pressure 5/12 C PI

KÄRCHER

POS	Article no.	Description	Quantity	Unit
30	5.379-043.0	Strap	1.000	ST
26	5.107-313.0	Switch rod	1.000	ST
902	4.117-030.0	Triple jet nozzle TR 035	1.000	ST
47	5.387-620.0	Warning sticker-Prevent from freezing	1.000	ST
50		Water intake complete	1.000	ST
23	5.515-386.0	Wheel cap large RAL 7012	2.000	ST
21	5.515-395.0	Wheel D180	2.000	ST