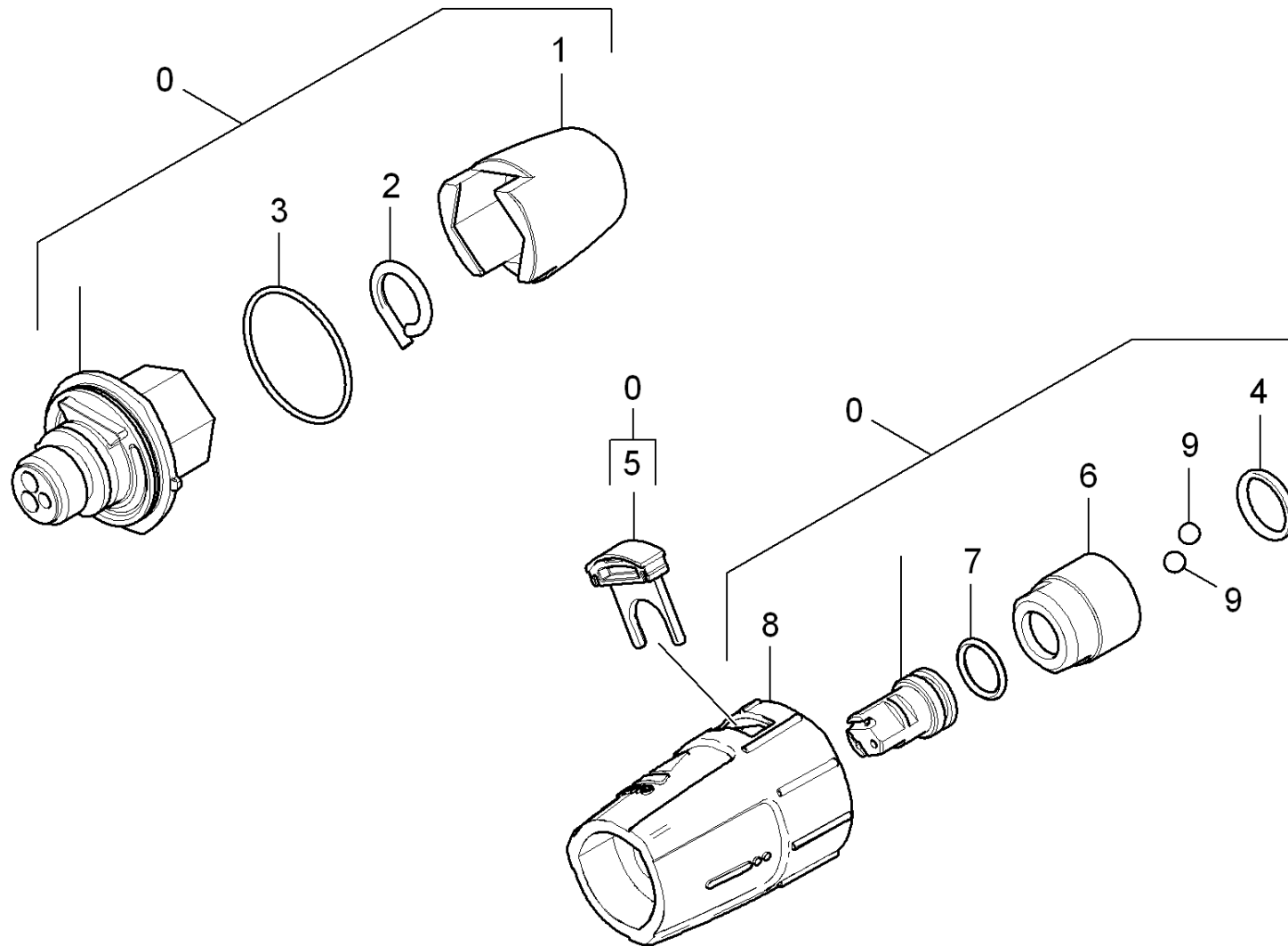


48 Triple jet nozzle

Overview technical documents/Professional/High pressure cleaner cold water/Electric motor/HD 650 (1.150-201.0)/Spare parts list HD 650SX *EUR 230V,1 PH/40 Accessories/48 Triple jet nozzle



48 Triple jet nozzle

Overview technical documents/Professional/High pressure cleaner cold water/Electric motor/HD 650 (1.150-201.0)/Spare parts list HD 650SX *EUR 230V,1 PH/40 Accessories/48 Triple jet nozzle

Rez.daļas/nodil.pakļ.daļas	Poz.	Materiāla Nr.	Nosaukums	Daudzums	Pārdoš. vienība
X-X	0	4.767-153.0	Triple jet nozzle only for replacement 0	1.000	ST
Pozīcijas teksts: 1.150-202.0					
X-X	0	4.767-147.0	Triple jet nozzle only for replacement	1.000	ST
Pozīcijas teksts: 1.150-201.0 /-203.0 /-204.0 /-401.0 /-411.0 /					
	1	5.394-530.0	Protection part complete	1.000	ST
	2	6.343-150.0	Pin 03	1.000	ST
	3	6.362-409.0	O-Ring seal 32,0 X 1,5	1.000	ST
	4	6.362-460.0	Gredzenblīve 14,0 X 2,5-NBR 70	1.000	ST
	5	5.321-884.0	Spaile	1.000	ST
	6	5.311-225.0	Nut	1.000	ST
X-X	7	6.362-480.0	Gredzenblīve 12,42x 1,78	1.000	ST
	8	5.394-859.0	Aizsargdetāļa	1.000	ST
	9	7.401-902.0	Sfēra 5 G20 -1.4034 DIN 5401	2.000	ST