

Spare parts list

(1.049-144.0) KSM 750 B

Table of contents

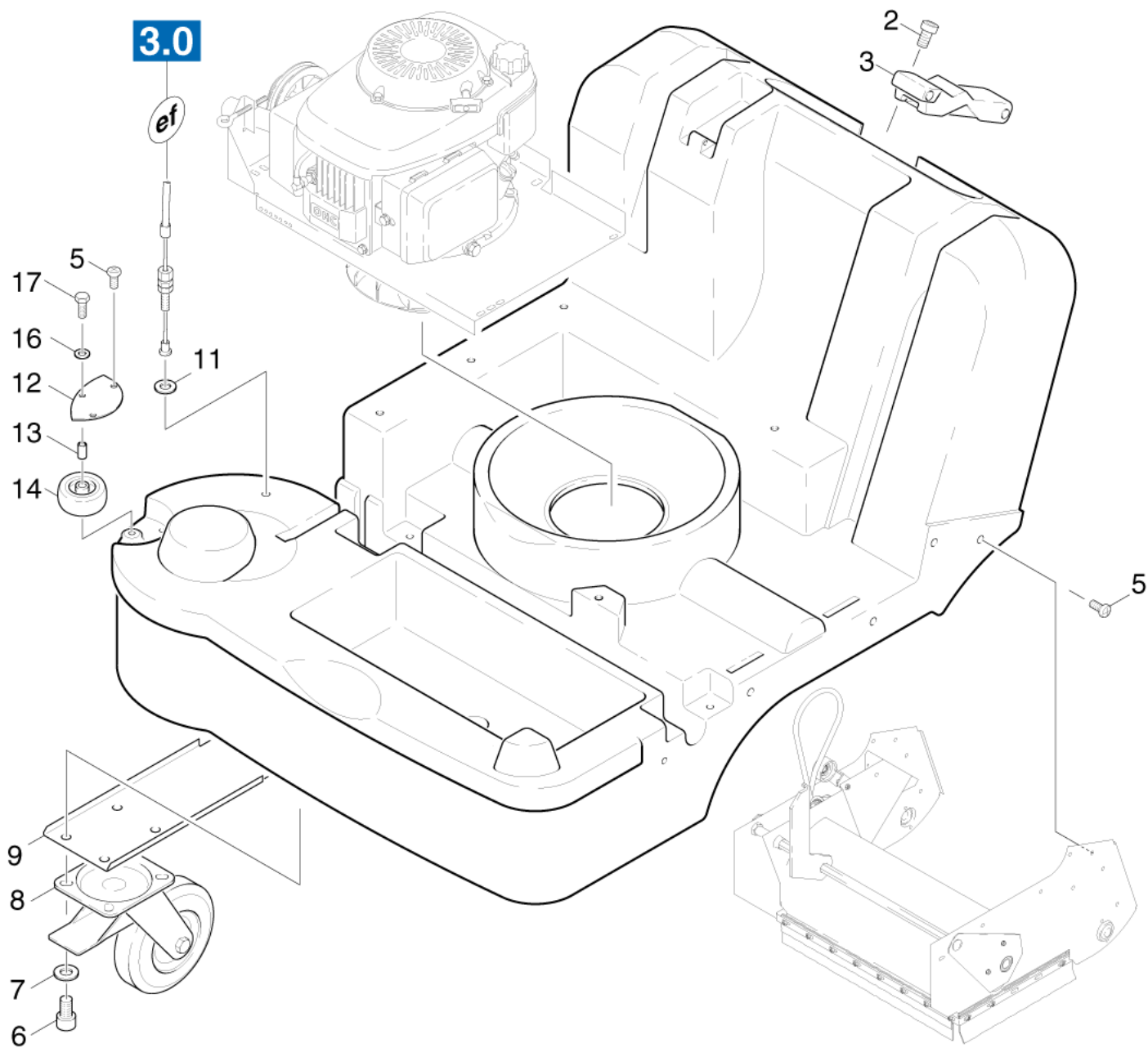
KSM 750 B (1.049-144.0)	3
Spare parts list KSM 750 B-HONDA (5.958-205.0)	4
10 Base frame	5
20 Cover	7
30 Shearing shackle	9
40 Transmission	11
50 Transmission side broom	13
60 Motor	16
61 Motor mounting	17
62 Motor individual parts	21
100 Service set 100 h (2.883-952.0)	23
63 Motor mounting 4.5 HP	24
64 Motor individual parts	26
100 Service set 100 h (2.883-952.0)	28
70 Sweep roller chest	29
71 Sweep roller chest	30
72 Sweep roller chest	32
80 Reversing rolling mill	35
90 Sweep tank	37
100 Vibrator	39

KSM 750 B (1.049-144.0)

POS	Article no.	Description	Quantity	Unit
0	5.958-205.0	Spare parts list KSM 750 B-HONDA	1.000	ST
	Item text2: 10491440			

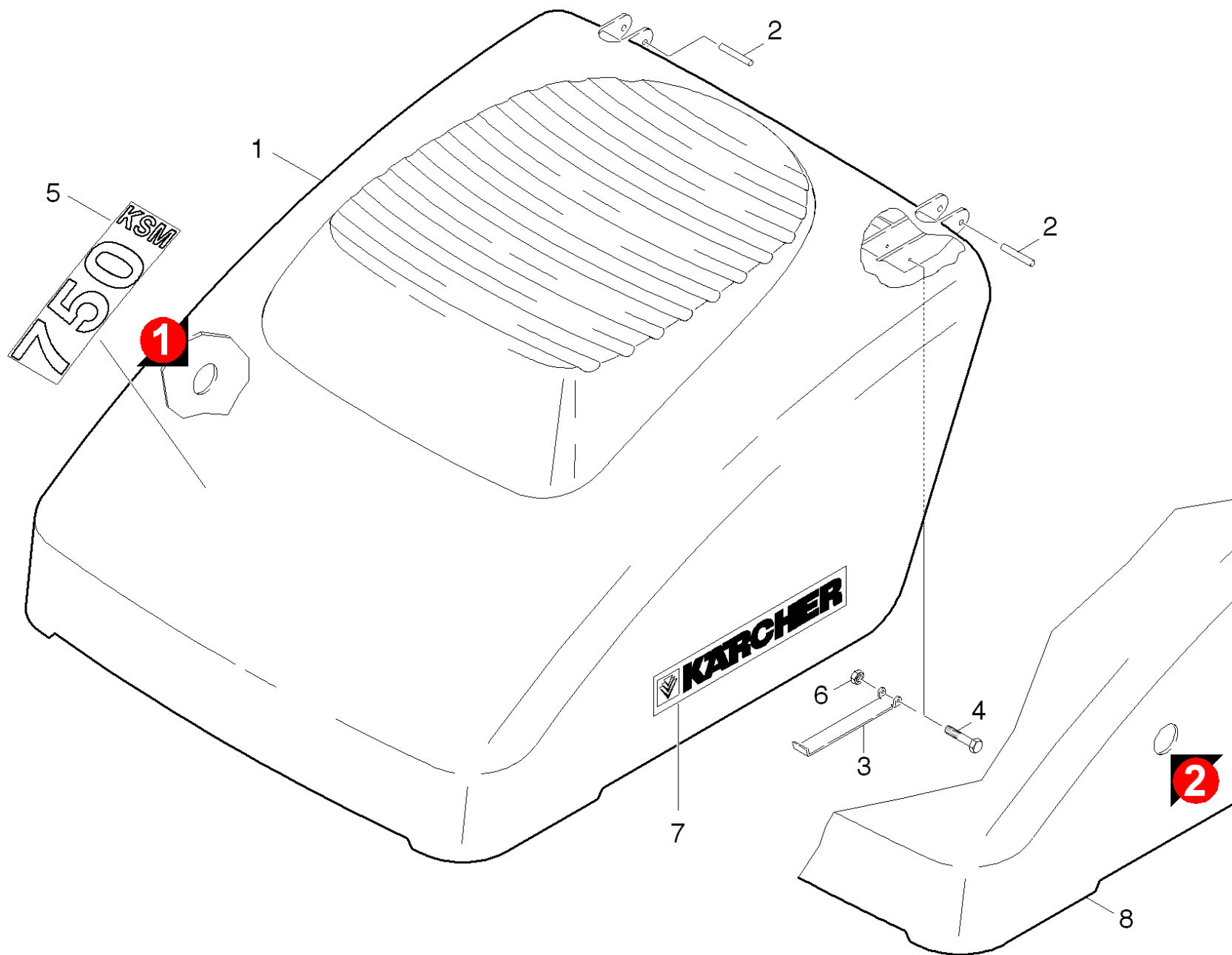
Spare parts list KSM 750 B-HONDA (5.958-205.0)

POS	Description	Quantity	Unit
10	Base frame	1.000	ST
20	Cover	1.000	ST
30	Shearing shackle	1.000	ST
40	Transmission	1.000	ST
50	Transmission side broom	1.000	ST
60	Motor	1.000	ST
70	Sweep roller chest	1.000	ST
80	Reversing rolling mill	1.000	ST
90	Sweep tank	1.000	ST
100	Vibrator	1.000	ST



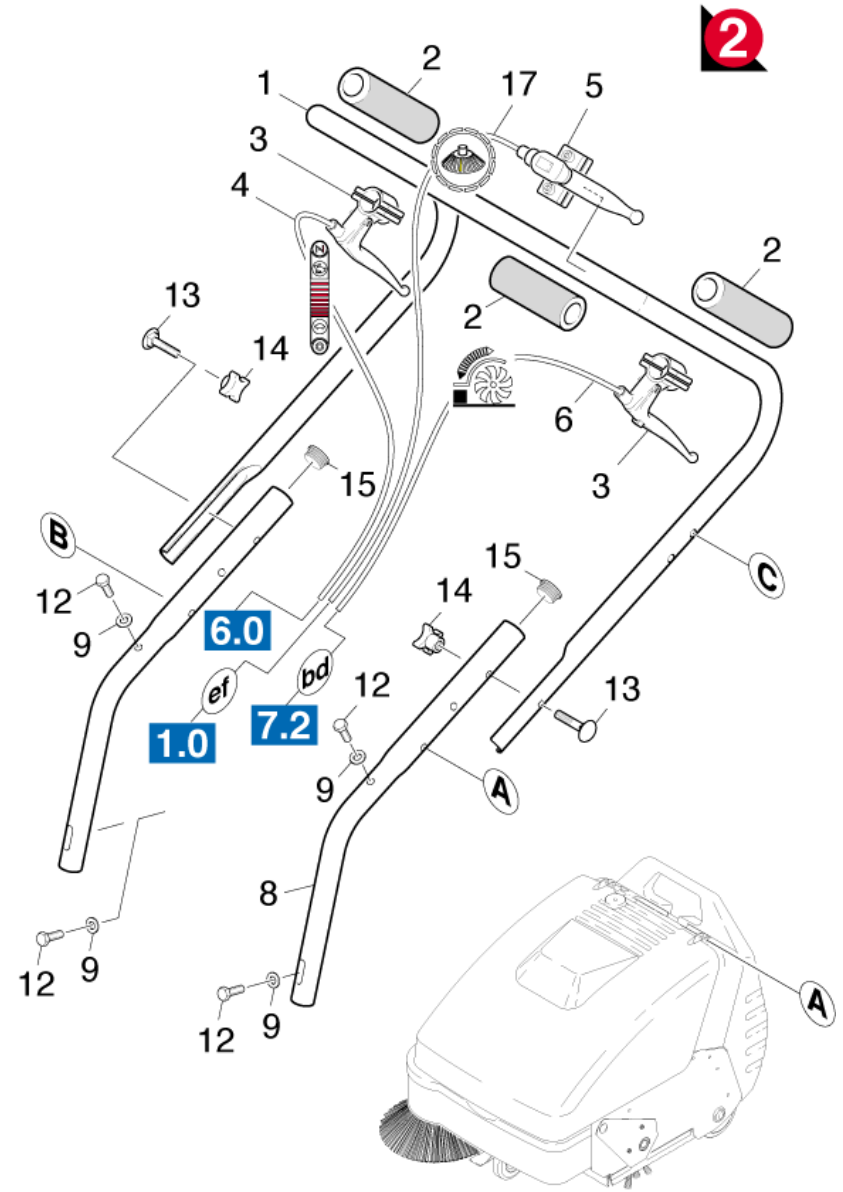
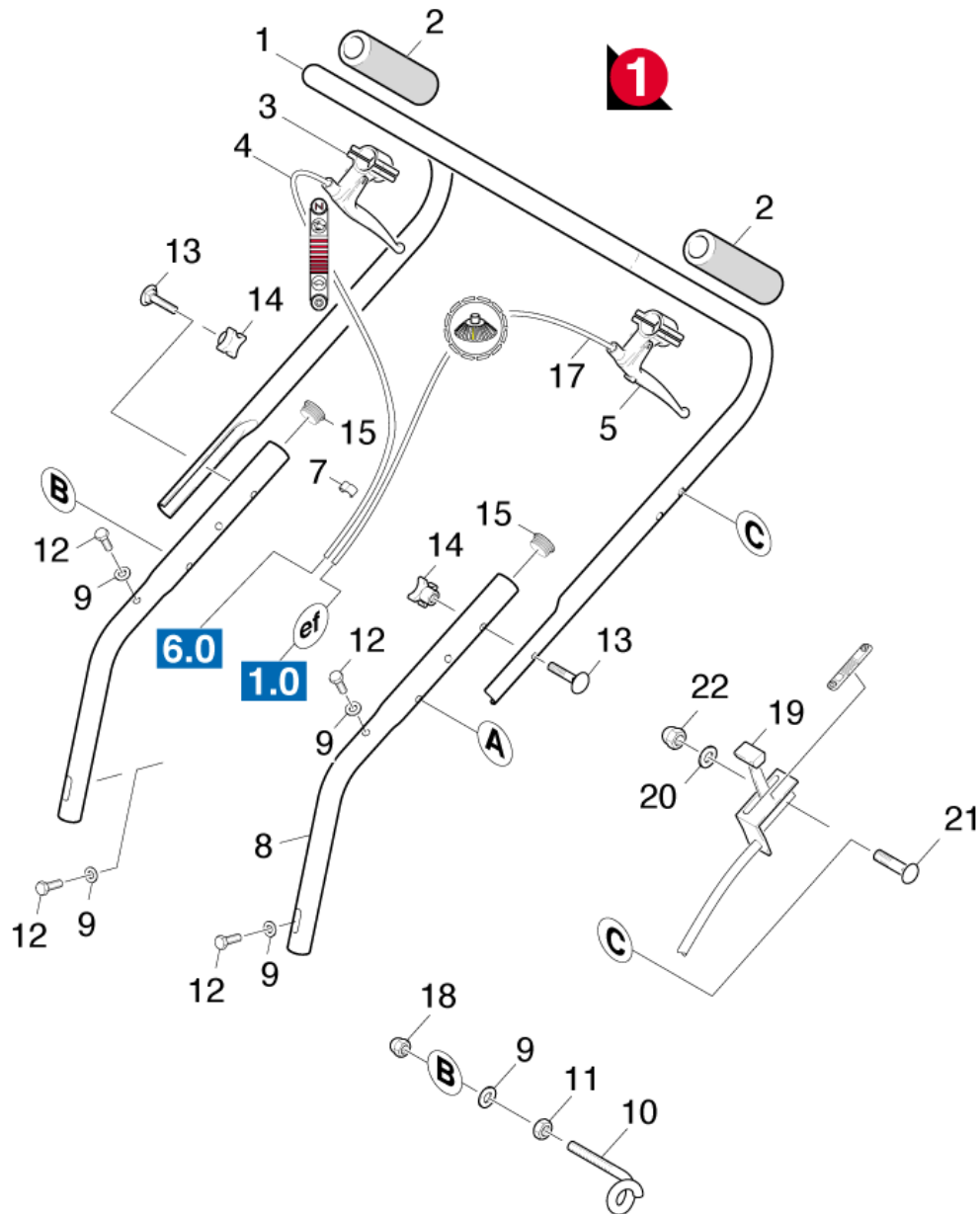
10 Base frame

POS	Article no.	Description	Quantity	Unit
2	6.303-155.0	Screw 5x16	4.000	ST
3	6.375-338.0	Snap fastener	1.000	ST
5	6.303-174.0	Screw 6,0X20-ST-A2R	10.000	ST
6	7.306-041.0	Cylinder head screw M8x20 -8.8-A2E ISO	4.000	ST
7	7.312-004.0	Washer 8 -200HV-A3E ISO 7089	4.000	ST
8	6.435-270.0	Castor with fixing D125	1.000	ST
9	5.047-356.0	Sheet metal component	1.000	ST
11	7.312-276.0	Washer 6 -200HV-A2E ISO7093-1	1.000	ST
12	5.001-849.0	Plate	1.000	ST
13	5.029-334.0	Tube	1.000	ST
14	6.435-373.0	Wheel traceless grey D50	1.000	ST
16	7.312-003.0	Washer 6 -200HV-A3E ISO 7089	1.000	ST
17	7.304-386.0	Hexagonal head screw M 6x25-8.8-A2E ISO	1.000	ST



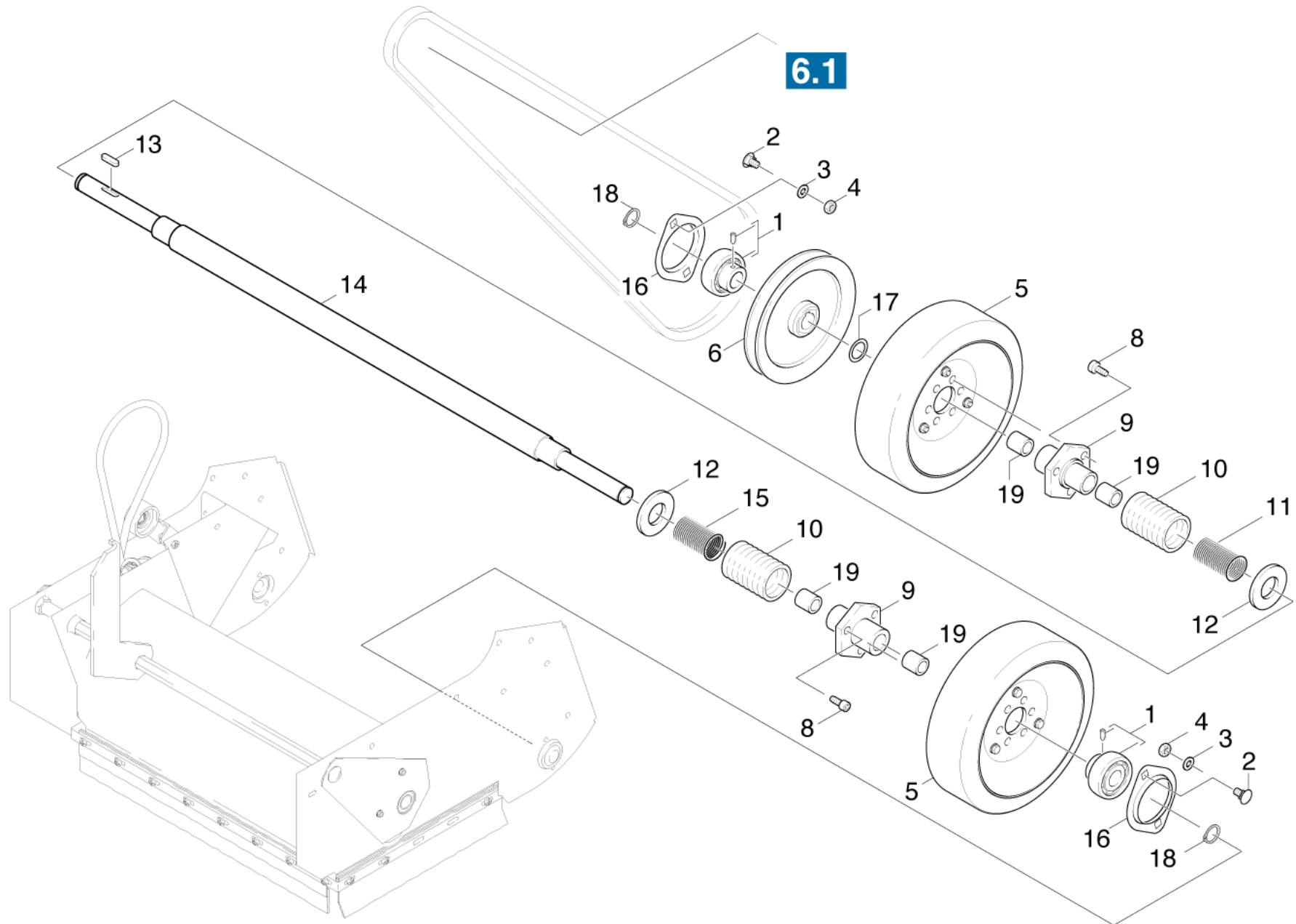
20 Cover

POS	Article no.	Description	Quantity	Unit
1	7.777-999.0	Stockpiling discontinued	1.000	ST
2	5.105-214.0	Axle hinge cover	2.000	ST
3	5.007-919.0	Sheet metal component	1.000	ST
4	7.306-167.0	Cylinder head screw M 4x40-8.8-A2E DIN	1.000	ST
5	5.380-486.0	Label character KSM 750	1.000	ST
6	7.311-516.0	Hexagon nut M 4-A2-70 DIN 985	1.000	ST
7	5.390-708.0	Character	2.000	ST
8	7.777-999.0	Stockpiling discontinued	1.000	ST



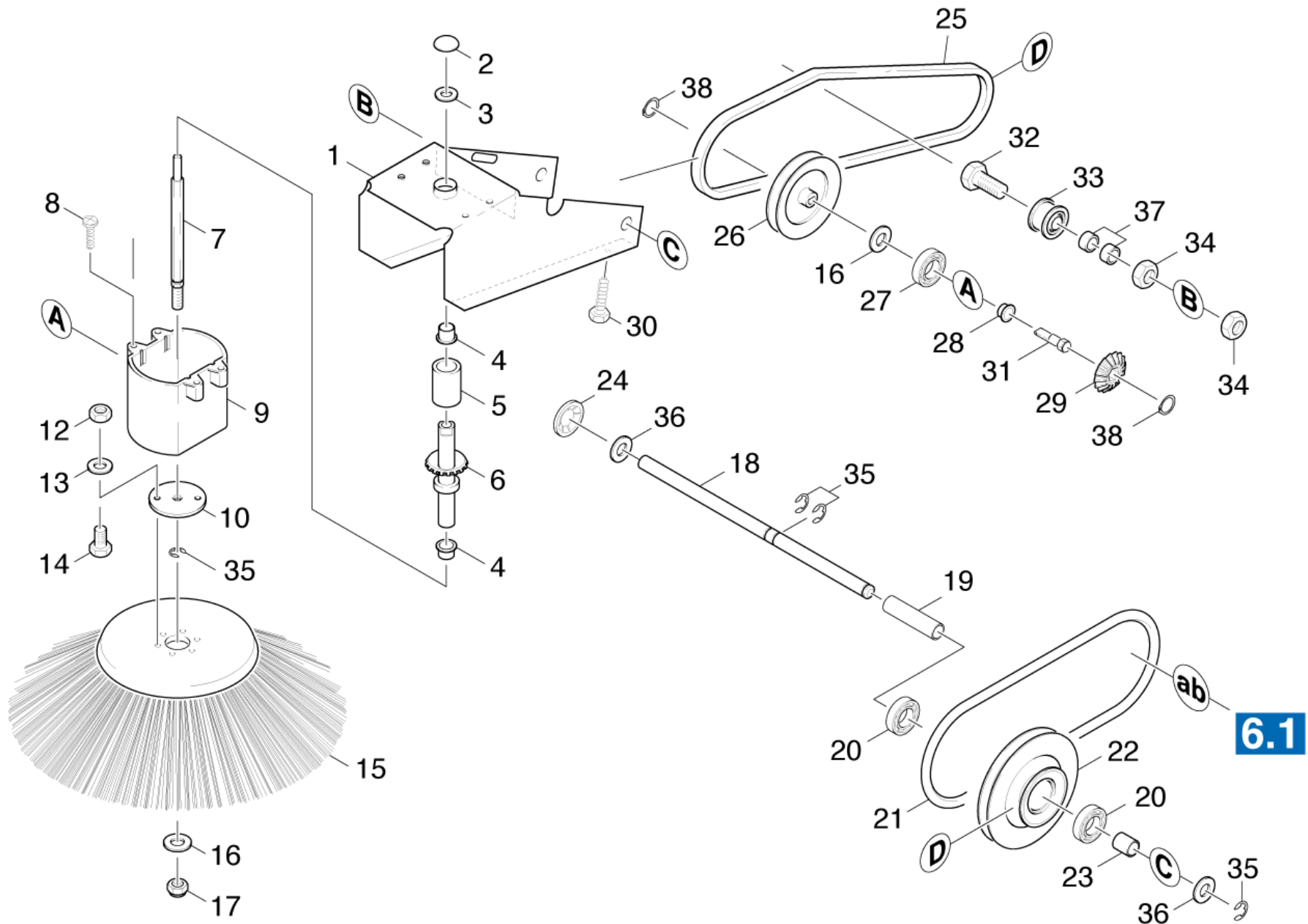
30 Shearing shackle

POS	Article no.	Description	Quantity	Unit	Remark	Foot note text
1	5.034-640.0	Shearing shackle KSM 750 GS-KLAPPE	1.000	ST		
2	5.443-513.0	Piece of tube	3.000	ST		STUECKZAHL NACH BEDARF
3	6.437-467.0	Operating lever	2.000	ST		STUECKZAHL NACH BEDARF
4	6.431-124.0	Bowden wire complete	1.000	ST		FETT-SPRAY FUER BOWDENZUG DOSE 400 ML 6.288-107
5	6.437-468.0	Operating lever	1.000	ST		
6	6.431-198.0	Bowden wire complete bulk waste flap	1.000	ST	VERSION 2	FETT-SPRAY FUER BOWDENZUG DOSE 400 ML 6.288-107
7	6.647-696.0	Cable clamp double	2.000	ST		
8	5.029-341.0	Tube shearing shackle	2.000	ST		
9	7.312-003.0	Washer 6 -200HV-A3E ISO 7089	5.000	ST		
10	6.491-556.0	Hook	2.000	ST		STUECKZAHL NACH BEDARF
11	7.311-003.0	Hexagon nut M6 -8-A2E ISO 4032	2.000	ST		STUECKZAHL NACH BEDARF
12	7.306-105.0	Screw M6x30 -8.8-R3R (In6Rd)	4.000	ST		
13	7.303-190.0	Saucer-head screw M6x35-ST-A0P DIN 603	2.000	ST		
14	6.310-023.0	Star handle M 6	2.000	ST		
15	6.368-173.0	Drain plug	2.000	ST		
17	6.431-123.0	Bowden wire complete side broom	1.000	ST		FETT-SPRAY FUER BOWDENZUG DOSE 400 ML 6.288-107
18	7.311-380.0	Cap nut M6 -6-A2E DIN 1587	2.000	ST		STUECKZAHL NACH BEDARF
19	6.906-261.0	Throttle cable KSM 750 HONDA	1.000	ST		
20	7.312-278.0	Washer 5-200HV-A2E ISO7093-1	2.000	ST		
21	7.306-185.0	Screw M5x 35-A2-70 (IN6RD)	2.000	ST		
22	7.311-385.0	Cap nut M 5-A1-50 DIN 1587	2.000	ST		



40 Transmission

POS	Article no.	Description	Quantity	Unit
1	6.401-270.0	Radial ball insert bearing	2.000	ST
2	7.303-046.0	Screw M6x12 -St-R3R (In6Rd)	4.000	ST
3	7.312-003.0	Washer 6 -200HV-A3E ISO 7089	4.000	ST
4	7.311-003.0	Hexagon nut M6 -8-A2E ISO 4032	4.000	ST
5	6.435-268.0	Wheel sprag clutch D160 KSM 750	2.000	ST
6	5.625-277.0	Belt pulley	1.000	ST
8	6.303-193.0	Cylinder head screw M 6X 12-8.8-R2R	6.000	ST
9	5.515-100.0	Wheel hub	2.000	ST
10	5.442-880.0	Piece of tube	2.000	ST
11	5.332-378.0	Helical spring right	1.000	ST
12	7.312-013.0	Washer 20-A2 ISO 7089	2.000	ST
13	7.318-003.0	Parallel key 5X 5X 18-C45K DIN 6885	1.000	ST
14	5.105-259.0	Axle wheel	1.000	ST
15	5.332-377.0	Helical spring left	1.000	ST
16	6.401-271.0	Housing flanged bearing	2.000	ST
17	7.343-217.0	Shim ring 15x21x0,5-ST2K50 DIN 988	1.000	ST
18	7.343-306.0	Lock washer 12-St-A2E DIN 6799	2.000	ST
19	6.437-480.0	Bearing bush	4.000	ST



50 Transmission side broom

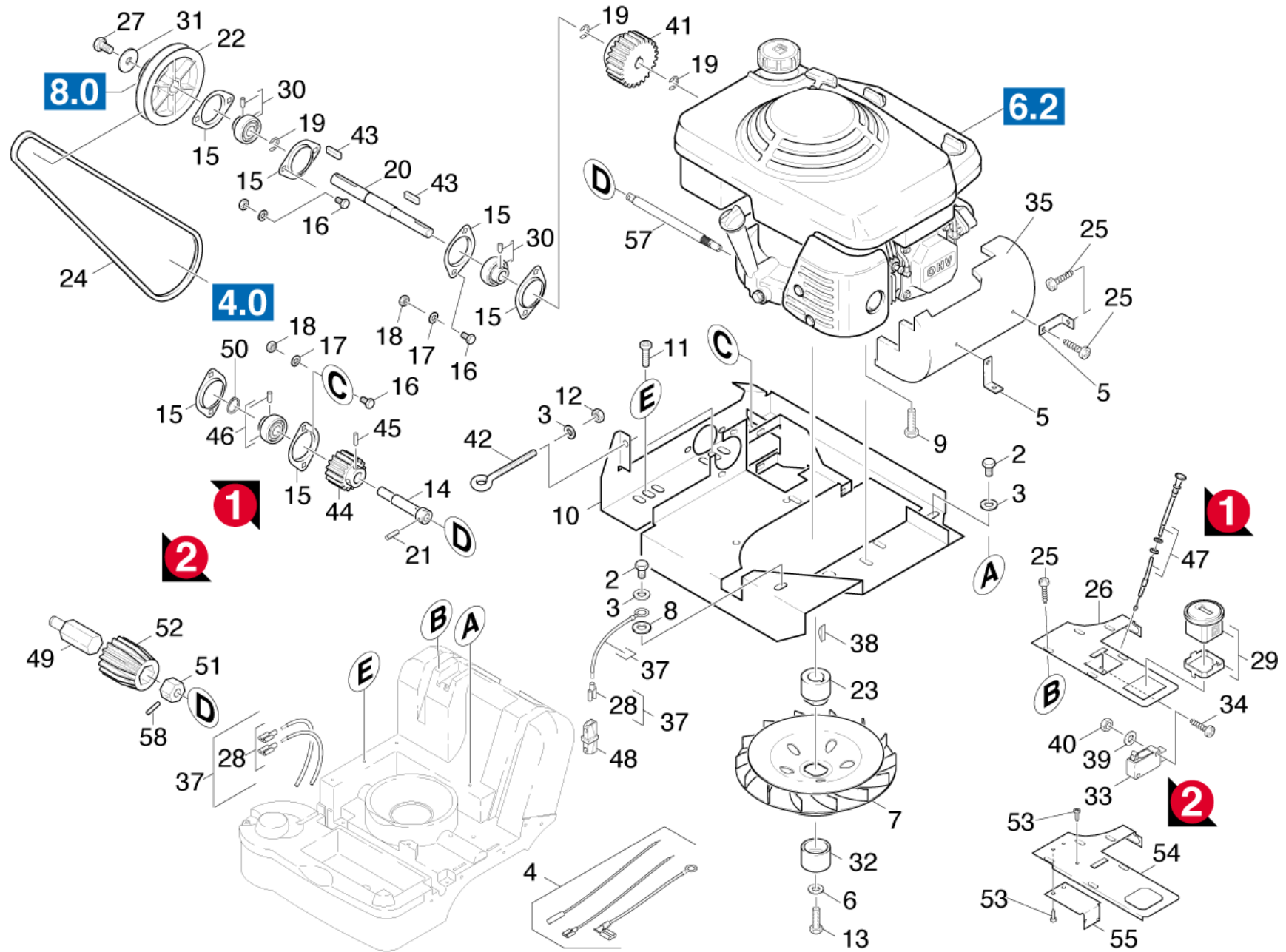
POS	Article no.	Description	Quantity	Unit	Serial number from	Serial number to
1	5.046-858.0	Sheet metal component side broom	1.000	ST		16900
1	5.048-218.0	Sheet metal component	1.000	ST	16901	
2	6.343-129.0	Lock washer	1.000	ST		
3	7.312-292.0	Washer 6 -A2 ISO 7093-1	1.000	ST		
4	6.437-484.0	Bearing bush	2.000	ST		
5	5.110-591.0	Sleeve	1.000	ST		
6	5.100-109.0	Hollow shaft	1.000	ST		
7	5.105-179.0	Axle side broom	1.000	ST		
8	6.303-155.0	Screw 5x16	4.000	ST		
9	5.060-553.0	Housing	1.000	ST		
10	5.115-509.0	Washer	1.000	ST		
12	7.311-003.0	Hexagon nut M6 -8-A2E ISO 4032	2.000	ST		
13	7.312-003.0	Washer 6 -200HV-A3E ISO 7089	2.000	ST		
14	7.306-090.0	Screw M6x16 -8.8-R3R (In6Rd)	2.000	ST		
15	6.951-073.0	Side broom	1.000	ST		
16	7.312-004.0	Washer 8 -200HV-A3E ISO 7089	2.000	ST		
17	7.311-427.0	Hexagon nut M8 -04-A2E DIN 985	1.000	ST		
18	5.105-211.0	Axle side arm	1.000	ST		
19	5.110-581.0	Sleeve	1.000	ST		
20	6.401-363.0	Ball bearing	2.000	ST		
21	6.348-346.0	Round belt -SL=830	1.000	ST		
22	5.625-274.0	Belt pulley side broom	1.000	ST		
23	5.110-580.0	Sleeve	1.000	ST		
24	6.343-180.0	Quick-fastener	1.000	ST		
25	6.348-324.0	V-Belt 10 X 540 LI	1.000	ST	16901	
25	6.348-285.0	V-Belt X10	1.000	ST		16900
26	5.625-332.0	Belt pulley	1.000	ST		
27	7.401-174.0	Ball bearing 688-2Z -Wälzl.St DIN 625	1.000	ST		
28	6.437-485.0	Bearing bush	1.000	ST		
29	5.352-060.0	Pinion	1.000	ST		
30	7.303-326.0	Sheet metal screw ST3,5x9,5 -St-flZn/nc4	1.000	ST		
31	5.100-186.0	Shaft	1.000	ST		
32	7.304-406.0	Hexagonal head screw M 8x35-8.8-A2E IS	1.000	ST		

50 Transmission side broom

POS	Article no.	Description	Quantity	Unit	Serial number from	Serial number to
33	6.435-274.0	Deflection pulley	1.000	ST		
34	7.311-004.0	Hexagon nut M8 -8-A3E ISO 4032	2.000	ST		
35	7.343-205.0	Lock washer 9-St-A2E DIN 6799	4.000	ST		
36	7.312-008.0	Washer 12-200HV-A3E ISO 7089	2.000	ST		
37	6.347-094.0	Spacer sleeve	2.000	ST		
38	7.343-014.0	Locking ring 8x0,8-FST-PHR DIN 471	2.000	ST		

60 Motor

POS	Description	Quantity	Unit	Remark
61	Motor mounting	1.000	ST	
62	Motor individual parts	1.000	ST	
63	Motor mounting 4.5 HP	1.000	ST	
64	Motor individual parts	1.000	ST	4.5 HP



61 Motor mounting

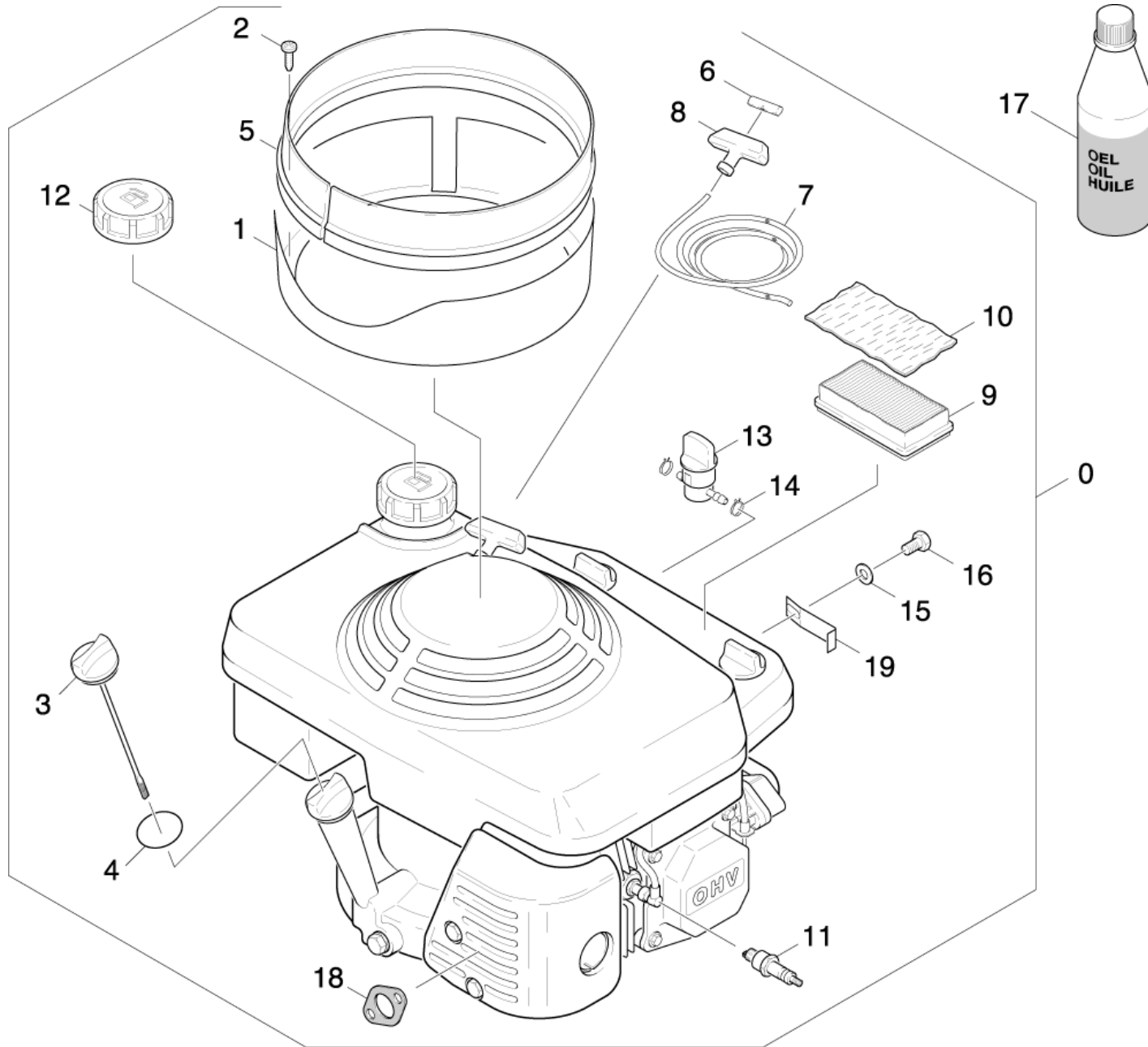
POS	Article no.	Description	Quantity	Unit	Serial number from	Serial number to	Remark
2	7.304-394.0	Hexagonal head screw M8x12 -8.8-A2E ISO	2.000	ST			
3	7.312-004.0	Washer 8 -200HV-A3E ISO 7089	3.000	ST			
4	6.647-962.0	Cable set KSM 750 HONDA	2.000	ST			
5	5.017-103.0	Angle	2.000	ST			
6	7.312-290.0	Washer 10-A2 ISO 7093-1	1.000	ST			
7	5.600-057.0	Blower wheel KSM 750 HONDA	1.000	ST			
8	7.312-166.0	Toothed lock washer A8,4-FSt-A3E DIN 67	1.000	ST			
9	6.304-040.0	Hexagonal head screw 5/16-24UNF-8.8-P2R ISO 4017	5.000	ST			
10	4.038-622.0	Sheet metal component 750 HONDA MOTORTR.	1.000	ST			
11	6.303-174.0	Screw 6,0X20-ST-A2R	3.000	ST			
12	7.311-427.0	Hexagon nut M8 -04-A2E DIN 985	1.000	ST			
13	7.304-025.0	Hexagonal head screw M10x1,25x25-8.8-A2E	1.000	ST			
14	5.100-238.0	Shaft	1.000	ST			VERSION 1
15	6.401-271.0	Housing flanged bearing	6.000	ST			
16	7.306-090.0	Screw M6x16 -8.8-R3R (In6Rd)	6.000	ST			
17	7.312-003.0	Washer 6 -200HV-A3E ISO 7089	6.000	ST			
18	7.311-003.0	Hexagon nut M6 -8-A2E ISO 4032	6.000	ST			
19	7.343-306.0	Lock washer 12-St-A2E DIN 6799	3.000	ST			
20	5.100-239.0	Shaft 750 HONDA	1.000	ST			
21	7.314-013.0	Straight grooved pin 4,0x20-St ISO 8740	1.000	ST			
22	5.625-455.0	Belt pulley	1.000	ST			
23	5.100-344.0	Shaft motor -KSM 750 B HONDA	1.000	ST			
24	6.348-313.0	V-Belt Z/10-LP=1142 VERST.	1.000	ST			
25	6.303-155.0	Screw 5x16	8.000	ST			

61 Motor mounting

POS	Article no.	Description	Quantity	Unit	Serial number from	Serial number to	Remark
26	5.048-360.0	Sheet metal component choke KSM750	1.000	ST		15980	
27	7.306-077.0	Screw M5x16 -8.8-R2R (In6Rd)	1.000	ST			
28	6.641-238.0	Receptacles for tabs	2.000	ST			
29	6.681-084.0	Hour counter 630.5/954 10-80V	1.000	ST			
30	6.401-270.0	Radial ball insert bearing	2.000	ST			
31	5.115-233.0	Washer	1.000	ST			
32	5.110-677.0	Sleeve blower wheel 750 HONDA	1.000	ST			
33	6.631-788.0	Toggle switch	1.000	ST			
34	7.303-501.0	Self-tapping screw M3x20-ST-A2E DIN 7500	2.000	ST			
35	7.777-999.0	Stockpiling discontinued	1.000	ST			
37	4.820-978.0	Cable set KSM 750 B	1.000	ST			
38	7.318-203.0	Curved washer 4x6,5-C45R DIN 6888	1.000	ST			
39	7.312-043.0	Washer 3-A2 ISO 7089	2.000	ST			
40	7.311-000.0	Hexagon nut M3 -6-A2E ISO 4032	2.000	ST			
41	6.348-317.0	Gear wheel KSM 750 HONDA	1.000	ST			
42	6.373-659.0	Eye screw M8X100	1.000	ST			
43	7.318-079.0	Parallel key A 5x5x25-C45K DIN 6885	2.000	ST			
44	6.348-318.0	Pinion KSM 750 HONDA	1.000	ST			VERSION 1
45	7.314-009.0	Grooved pin 6x28-ST-A3E ISO 8742	1.000	ST			VERSION 1
46	6.401-298.0	Radial ball insert bearing D12	1.000	ST			
47	6.491-603.0	Choke KSM 750 HONDA	1.000	ST			
48	7.777-999.0	Stockpiling discontinued	1.000	ST			
49	5.105-301.0	Axle	1.000	ST			VERSION 2
50	7.343-105.0	Locking ring 22x1-FST-PHR DIN 472	1.000	ST			
51	5.474-027.0	Carrier 6-KT. KSM 750	1.000	ST			VERSION 2
52	6.348-340.0	Pinion	1.000	ST			VERSION 2
53	7.303-139.0	Saucer-head screw M6x20 -A2	6.000	ST			VERSION 2

61 Motor mounting

POS	Article no.	Description	Quantity	Unit	Serial number from	Serial number to	Remark
		DIN 603					
54	5.048-827.0	Sheet metal component choke KSM750	1.000	ST	15981		
55	5.048-828.0	Sheet metal component	1.000	ST	15981		
57	6.491-694.0	Shaft Seitenabtrieb	1.000	ST			
58	7.314-090.0	Straight pin 4m6x20-St ISO 2338	1.000	ST			VERSION 2

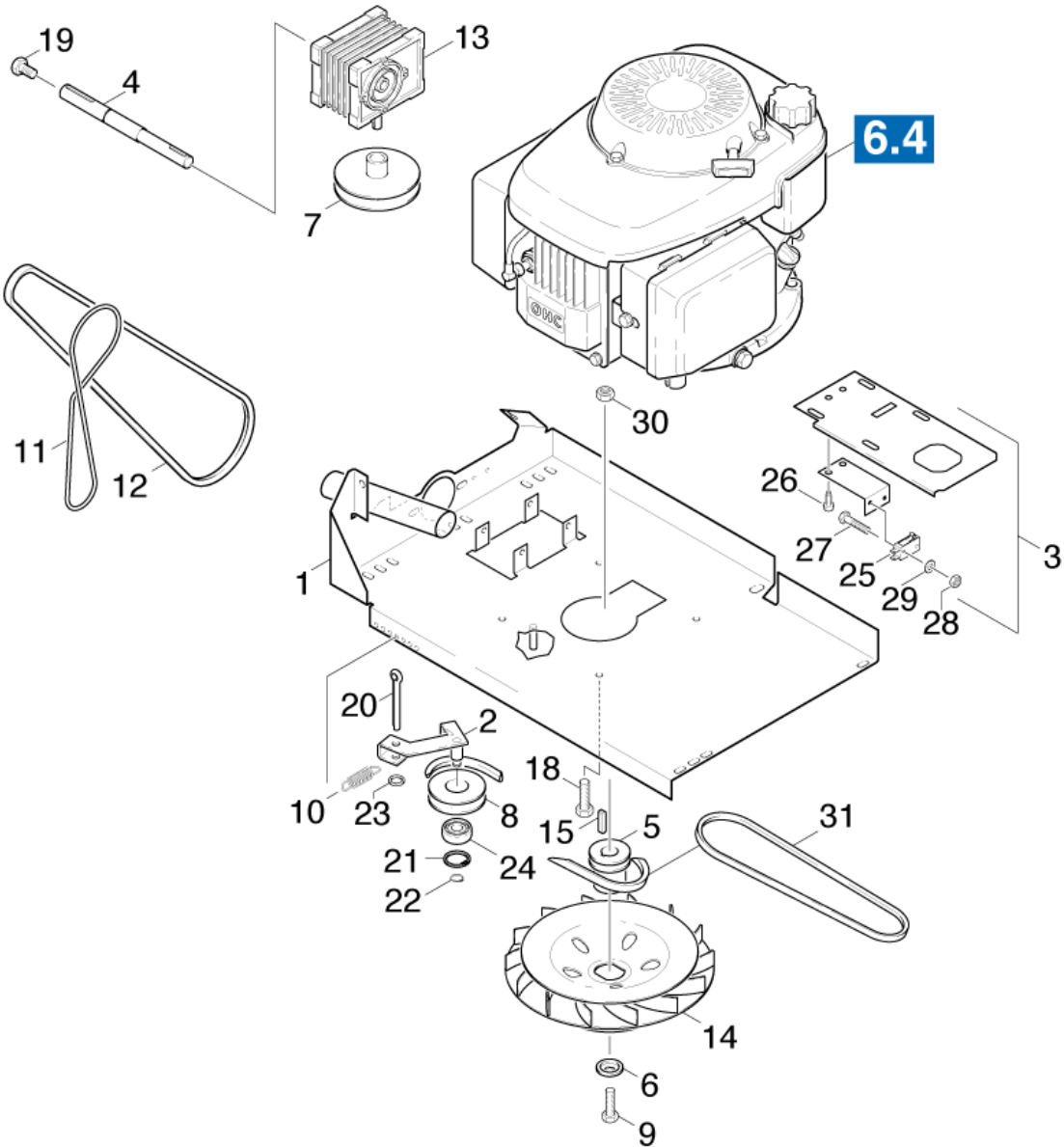


62 Motor individual parts

POS	Article no.	Description	Quantity	Unit	Serial number from	Serial number to	Foot note text
0	4.623-380.0	Gasoline engine modified HONDA	1.000	ST			
1	5.031-954.0	Air circulation	1.000	ST			
2	7.303-078.0	Sheet metal screw ST4,8X19-ST-P2R (KOMBI- IN6RD	2.000	ST			
3	7.777-999.0	Stockpiling discontinued	1.000	ST			
4	6.491-115.0	O-Ring seal 26,0 X 2,7	1.000	ST			
5	6.365-413.0	Sealing profile	1.000	M			ALS METERWARE BESTELLEN
6	6.491-468.0	Handhold reinforcement	1.000	ST			
7	6.491-739.0	STARTER ROPE lang	1.000	ST			
8	6.491-466.0	Handhold for pull cord	1.000	ST			
9	6.491-462.0	Air filter	1.000	ST			
10	6.491-463.0	Air filter fleece	1.000	ST			
11	6.618-090.0	Ignition plug	1.000	ST			
12	6.491-461.0	Cap of a tank	1.000	ST			
13	6.970-156.0	Fuel valve	1.000	ST			
14	6.389-768.0	Hose clip	3.000	ST			
15	7.312-003.0	Washer 6 -200HV-A3E ISO 7089	1.000	ST			
16	7.306-077.0	Screw M5x16 -8.8-R2R (In6Rd)	1.000	ST			
17	6.288-050.0	Engine oil 1L	1.000	ST			
18	6.954-017.0	Seal	1.000	ST			
19	5.048-062.0	Sheet metal component	1.000	ST			
100	7.777-999.0	Stockpiling discontinued	1.000	ST		24999	
100	2.883-952.0	Service set 100 h	1.000	ST	25000		

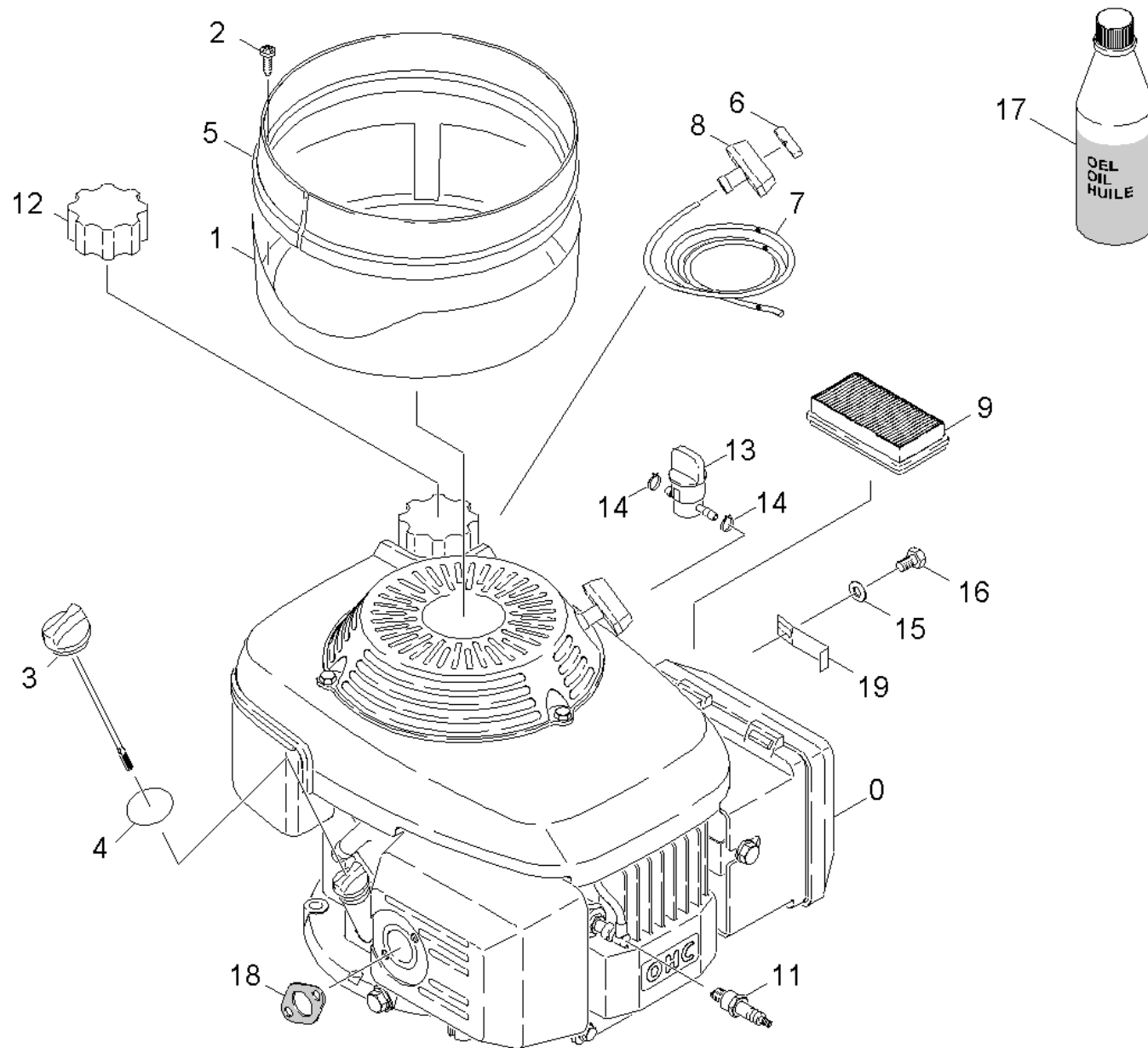
100 Service set 100 h (2.883-952.0)

POS	Article no.	Description	Quantity	Unit
10	6.288-050.0	Engine oil 1L	1.000	ST
20	6.491-463.0	Air filter fleece	1.000	ST
30	6.491-707.0	Air filter GCV135	1.000	ST
40	6.954-006.0	Ignition plug	1.000	ST



63 Motor mounting 4.5 HP

POS	Article no.	Description	Quantity	Unit
1	4.038-950.0	Sheet metal component Motortraeger KSM 7	1.000	ST
2	4.622-011.0	Belt stretcher complete KSM 750 HONDA	1.000	ST
3	5.048-828.0	Sheet metal component	1.000	ST
4	5.100-311.0	Shaft	1.000	ST
5	5.100-344.0	Shaft motor -KSM 750 B HONDA	1.000	ST
6	5.110-817.0	Sleeve blower wheel 750 HONDA	1.000	ST
7	5.625-366.0	Belt pulley transmission gear	1.000	ST
8	5.625-375.0	Belt pulley belt stretcher 750 HO	1.000	ST
9	6.303-313.0	Screw 3/8"-24UNF	1.000	ST
10	6.330-173.0	Extension spring	1.000	ST
11	6.348-283.0	Round belt D10	1.000	ST
12	6.348-370.0	V-Belt Z/10	1.000	ST
13	6.454-098.0	Worm gearing	1.000	ST
14	6.484-326.0	Blower wheel D=222mm	1.000	ST
15	6.491-207.0	Parallel key	1.000	ST
18	7.304-406.0	Hexagonal head screw M 8x35-8.8-A2E IS	1.000	ST
19	7.306-077.0	Screw M5x16 -8.8-R2R (In6Rd)	1.000	ST
20	7.316-342.0	Cotter 3,2x20 -St-A2E ISO 1234	1.000	ST
21	7.343-105.0	Locking ring 22x1-FST-PHR DIN 472	1.000	ST
22	7.343-127.0	Locking ring 8x0,8 -Rf-St DIN 471	1.000	ST
23	7.343-221.0	Shim ring 8x14x1-St2K50 DIN 988	1.000	ST
24	7.401-149.0	Ball bearing 608-2RS -Wälzl.St DIN 625	1.000	ST
25	6.631-788.0	Toggle switch	1.000	ST
26	7.303-030.0	Screw M4x8 -St-P2R (In6Rd)	1.000	ST
27	7.306-406.0	Cylinder head screw M3x16-4.8-A2E ISO 1	1.000	ST
28	7.311-000.0	Hexagon nut M3 -6-A2E ISO 4032	1.000	ST
29	7.312-030.0	Washer 3-CuZn-E2E ISO7089	1.000	ST
30	7.311-427.0	Hexagon nut M8 -04-A2E DIN 985	1.000	ST
31	6.348-350.0	V-Belt	1.000	ST



64 Motor individual parts

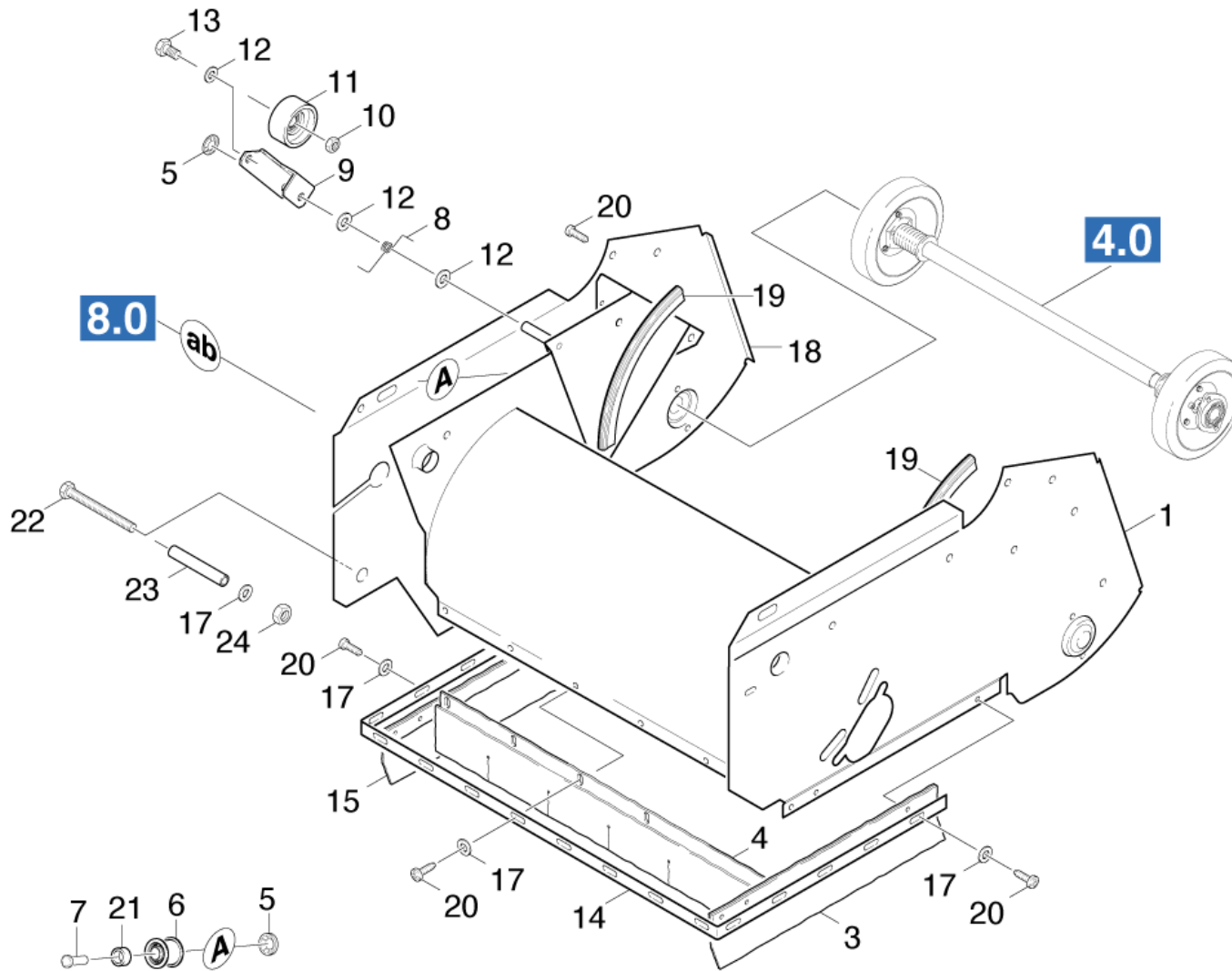
POS	Article no.	Description	Quantity	Unit	Serial number from	Serial number to	Foot note text
0	6.491-744.0	Gasoline engine 4.5 HP GCV 135E-N2-KA-SD	1.000	ST			
1	5.031-954.0	Air circulation	1.000	ST			
2	7.303-078.0	Sheet metal screw ST4,8X19-ST-P2R (KOMBI- IN6RD	1.000	ST			
3	6.491-705.0	Oil level gauge	1.000	ST			
4	7.777-999.0	Stockpiling discontinued	1.000	ST			
5	6.365-413.0	Sealing profile	1.000	M			ALS METERWARE BESTELLEN
6	6.491-468.0	Handhold reinforcement	1.000	ST			
7	6.491-715.0	Pull cord	1.000	ST			
8	6.491-706.0	Handhold for pull cord	1.000	ST			
9	6.491-726.0	Air filter insert	1.000	ST			
11	6.618-090.0	Ignition plug	1.000	ST			
12	6.491-723.0	Cap of a tank	1.000	ST			
13	7.777-999.0	Stockpiling discontinued	1.000	ST			
14	6.389-768.0	Hose clip	3.000	ST			
15	7.312-003.0	Washer 6 -200HV-A3E ISO 7089	1.000	ST			
16	7.306-077.0	Screw M5x16 -8.8-R2R (In6Rd)	1.000	ST			
17	6.288-050.0	Engine oil 1L	1.000	ST			
18	6.491-712.0	Seal	1.000	ST			
19	5.048-062.0	Sheet metal component	1.000	ST			
100	7.777-999.0	Stockpiling discontinued	1.000	ST		24999	
100	2.883-952.0	Service set 100 h	1.000	ST	25000		

100 Service set 100 h (2.883-952.0)

POS	Article no.	Description	Quantity	Unit
10	6.288-050.0	Engine oil 1L	1.000	ST
20	6.491-463.0	Air filter fleece	1.000	ST
30	6.491-707.0	Air filter GCV135	1.000	ST
40	6.954-006.0	Ignition plug	1.000	ST

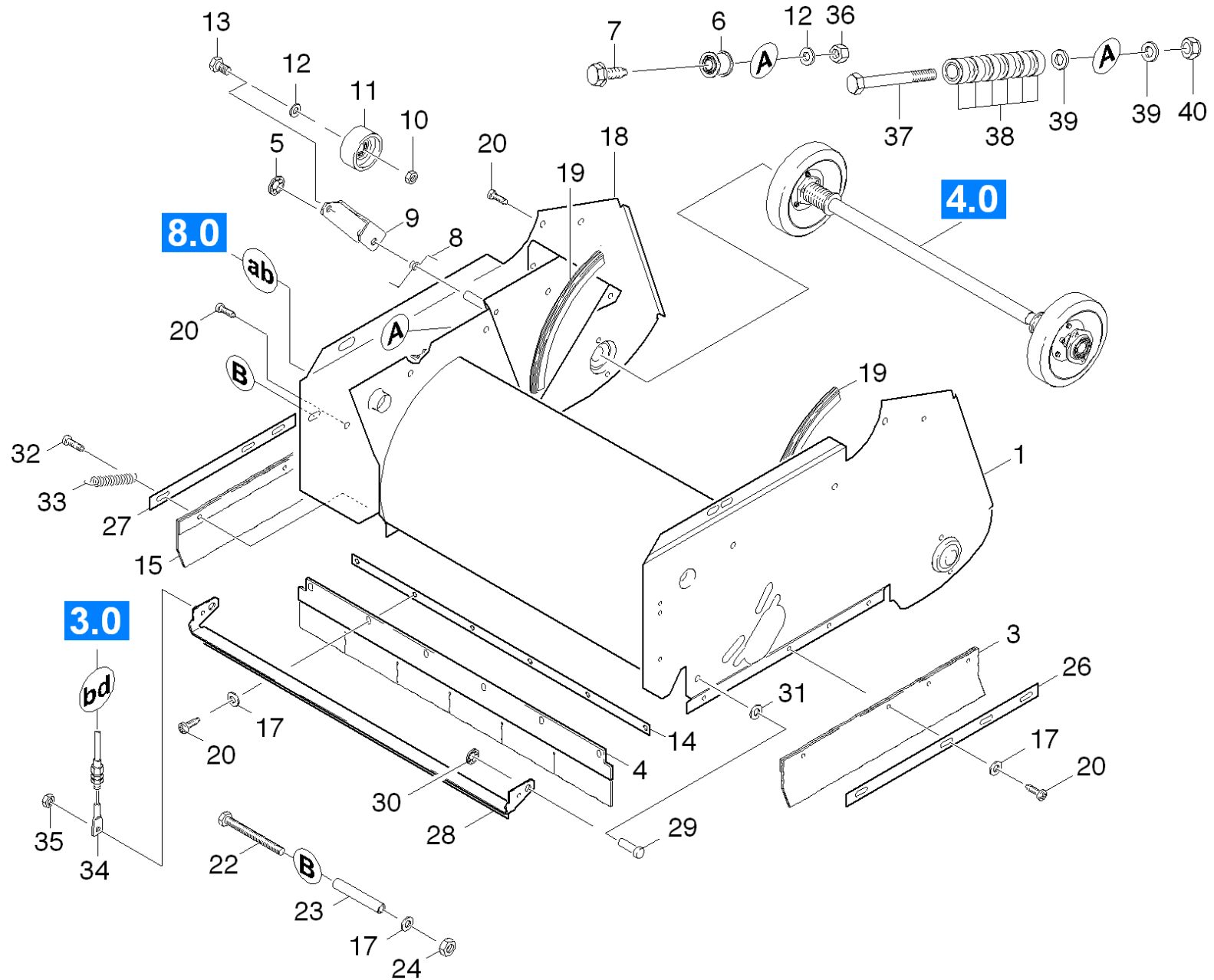
70 Sweep roller chest

POS	Description	Quantity	Unit	Remark
71	Sweep roller chest	1.000	ST	VERSION 1
72	Sweep roller chest	1.000	ST	VERSION 2



71 Sweep roller chest

POS	Article no.	Description	Quantity	Unit
1	4.038-621.0	Sweep roller chest	1.000	ST
3	6.365-411.0	Sealing lip left	1.000	ST
4	6.365-454.0	Sealing lip center	1.000	ST
5	6.343-147.0	Quick-fastener	2.000	ST
6	6.435-274.0	Deflection pulley	1.000	ST
7	5.316-294.0	Bolt	1.000	ST
8	5.332-400.0	Spiral spring belt stretcher	1.000	ST
9	5.046-903.0	Sheet metal component	1.000	ST
10	7.311-004.0	Hexagon nut M8 -8-A3E ISO 4032	1.000	ST
11	5.515-092.0	Roller	1.000	ST
12	7.312-004.0	Washer 8 -200HV-A3E ISO 7089	1.000	ST
14	5.047-663.0	Strip umlaufend	1.000	ST
15	6.365-412.0	Sealing lip right	1.000	ST
17	7.312-003.0	Washer 6 -200HV-A3E ISO 7089	14.000	ST
18	5.047-832.0	Cover plate right	1.000	ST
19	5.364-192.0	Seal	2.000	ST
20	7.303-046.0	Screw M6x12 -St-R3R (In6Rd)	20.000	ST
21	6.347-094.0	Spacer sleeve	1.000	ST
22	7.306-138.0	Screw M6x60 -8.8-R3R (In6Rd)	1.000	ST
23	5.110-747.0	Spacer sleeve	1.000	ST
24	7.311-003.0	Hexagon nut M6 -8-A2E ISO 4032	1.000	ST

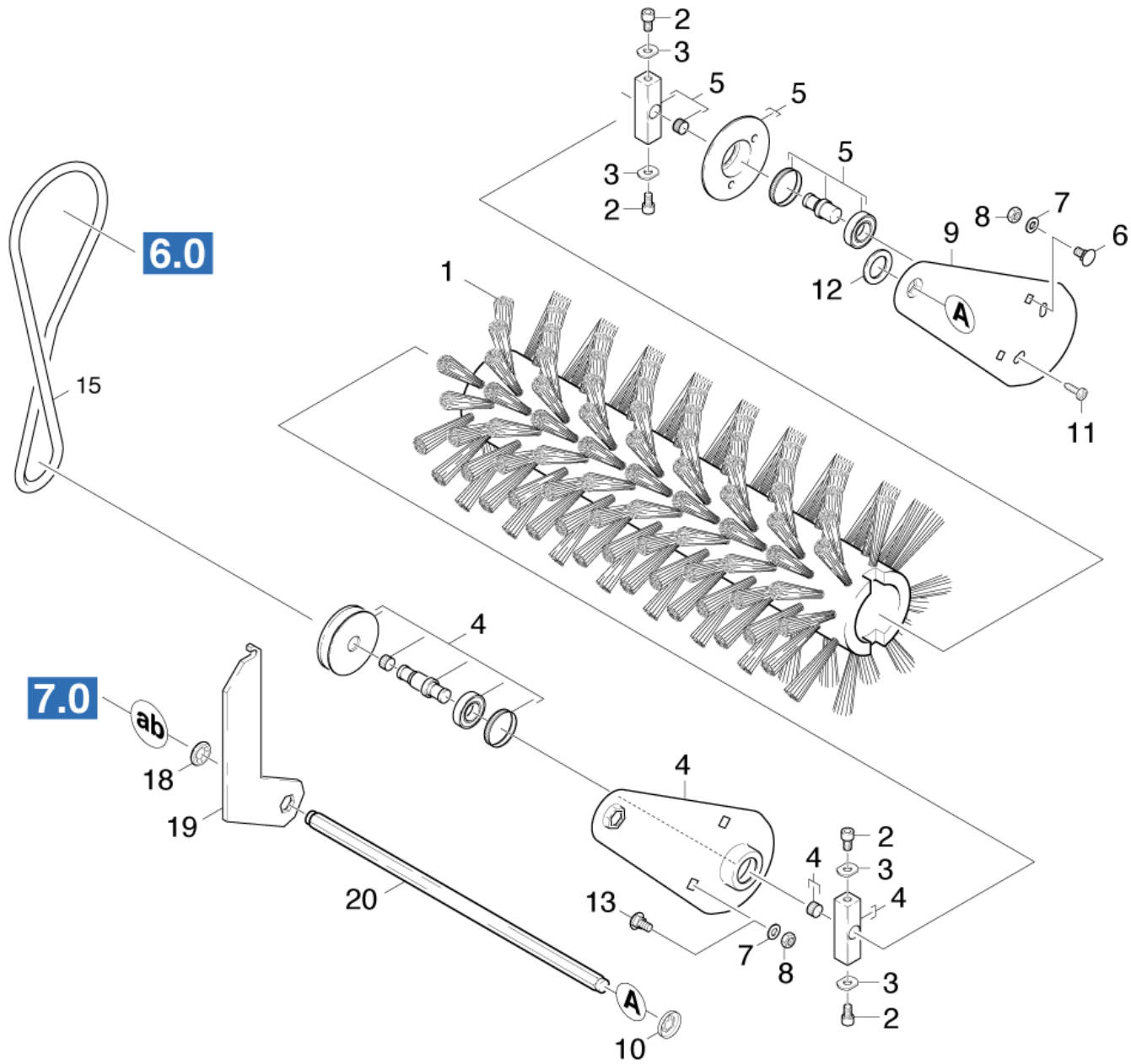


72 Sweep roller chest

POS	Article no.	Description	Quantity	Unit	Serial number from
1	4.038-788.0	Sweep roller chest	1.000	ST	
3	6.365-411.0	Sealing lip left	1.000	ST	
4	6.365-454.0	Sealing lip center	1.000	ST	
5	6.343-147.0	Quick-fastener	1.000	ST	
6	6.435-274.0	Deflection pulley	1.000	ST	
7	7.306-221.0	Screw M 8x25-A2-70 DIN 7984	1.000	ST	
8	5.332-400.0	Spiral spring belt stretcher	1.000	ST	
9	5.046-903.0	Sheet metal component	1.000	ST	
10	7.311-004.0	Hexagon nut M8 -8-A3E ISO 4032	1.000	ST	
11	5.515-092.0	Roller	1.000	ST	
12	7.312-004.0	Washer 8 -200HV-A3E ISO 7089	2.000	ST	
13	7.304-399.0	Hexagonal head screw M 8x25-8.8-A2E ISO	1.000	ST	
14	5.190-136.0	Strip front	1.000	ST	
15	6.365-412.0	Sealing lip right	1.000	ST	
17	7.312-003.0	Washer 6 -200HV-A3E ISO 7089	14.000	ST	
18	5.048-471.0	Cover plate right	1.000	ST	
19	5.364-192.0	Seal	2.000	ST	
20	7.303-046.0	Screw M6x12 -St-R3R (In6Rd)	13.000	ST	
22	7.306-138.0	Screw M6x60 -8.8-R3R (In6Rd)	1.000	ST	
23	5.110-747.0	Spacer sleeve	1.000	ST	
24	7.311-003.0	Hexagon nut M6 -8-A2E ISO 4032	1.000	ST	
26	5.190-134.0	Strip left	1.000	ST	
27	5.190-135.0	Strip right	1.000	ST	
28	4.038-787.0	Sheet metal component complete	1.000	ST	
29	7.316-214.0	Bolt B-10x14 -St-A2E ISO 2341	1.000	ST	
30	6.343-149.0	Quick-fastener	1.000	ST	
31	7.312-074.0	Washer 10 -CuZn ISO 7092	1.000	ST	
32	6.303-515.0	Self-tapping screw M6x25	1.000	ST	
33	6.330-056.0	Extension spring	1.000	ST	
34	6.431-198.0	Bowden wire complete bulk waste flap	1.000	ST	
35	7.311-431.0	Hexagon nut M 5-1.4305 DIN 985	1.000	ST	
36	7.311-427.0	Hexagon nut M8 -04-A2E DIN 985	1.000	ST	
37	7.304-262.0	Hexagonal head screw M8x60-A4-70 ISO 40	1.000	ST	10000

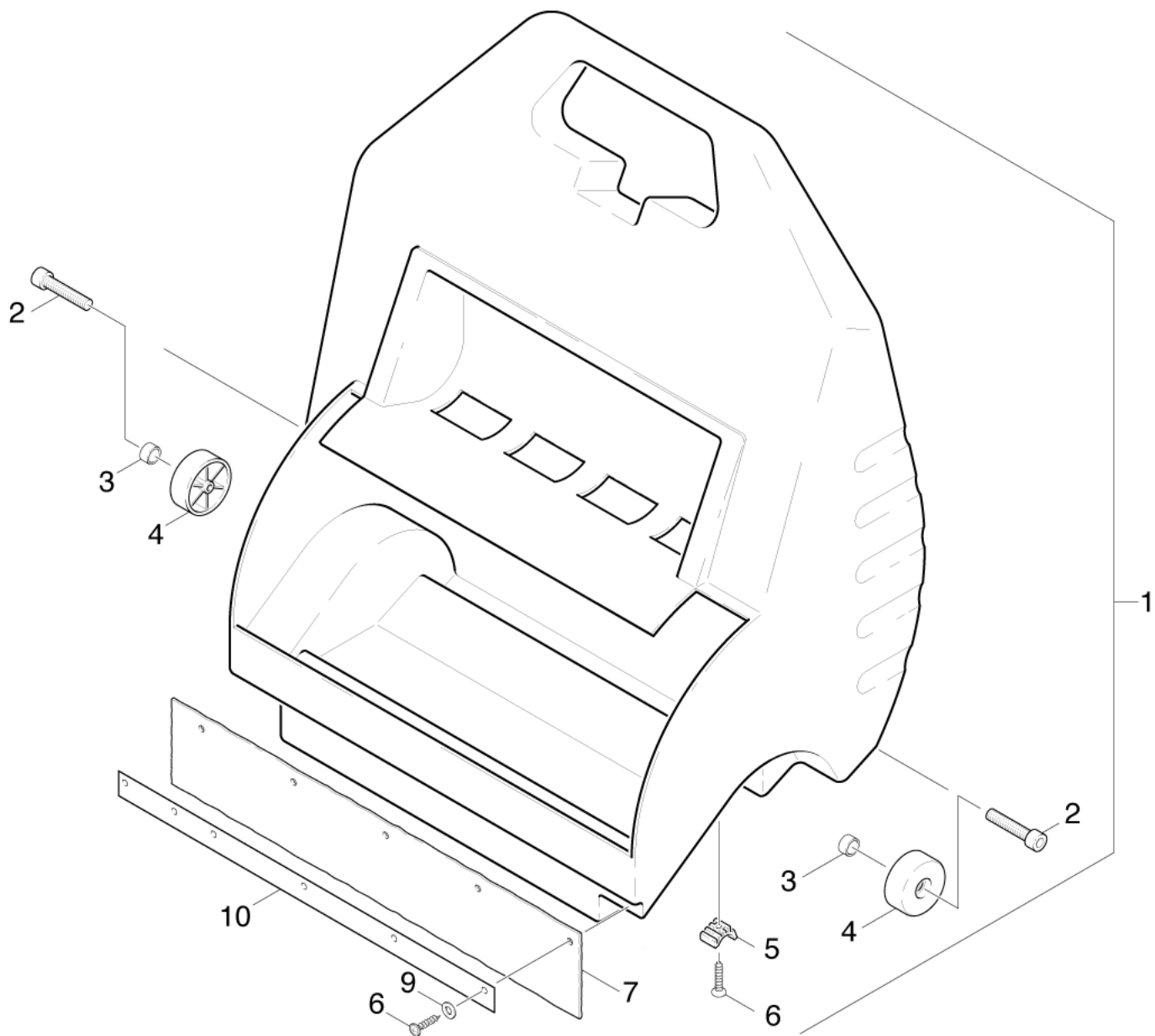
72 Sweep roller chest

POS	Article no.	Description	Quantity	Unit	Serial number from
38	7.401-043.0	Ball bearing 619/8-2RS -Wae.St. DIN 62	6.000	ST	10000
39	7.312-017.0	Washer 8-A2 ISO 7089	8.000	ST	10000
40	7.311-027.0	Hexagon nut M 8-A4-70 ISO 7042	1.000	ST	10000



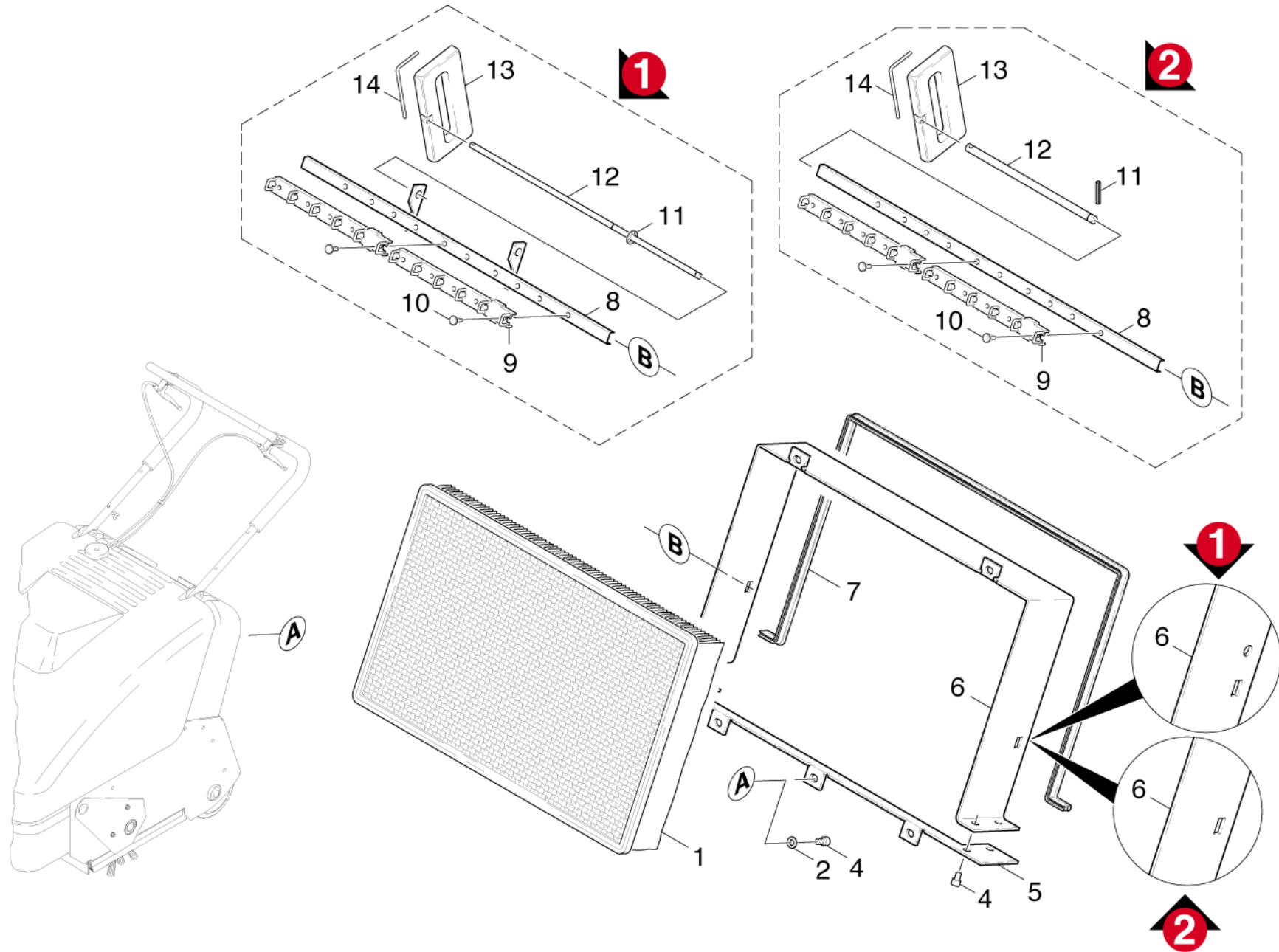
80 Reversing rolling mill

POS	Article no.	Description	Quantity	Unit
1	6.905-870.0	Reversing rolling mill soft nature 550mm	1.000	ST
1	6.905-868.0	Reversing rolling mill hard -550 BREIT	1.000	ST
1	6.905-587.0	Reversing rolling mill middle	1.000	ST
2	7.306-041.0	Cylinder head screw M8x20 -8.8-A2E ISO	4.000	ST
3	5.047-121.0	Sheet metal component retainer reversing	4.000	ST
4	4.038-435.0	Lever right	1.000	ST
5	4.038-448.0	Lever left	1.000	ST
6	7.303-204.0	Saucer-head screw M8x20 -4.8-ZNBHL DIN 603	2.000	ST
7	7.312-277.0	Washer 8-200HV-A2E ISO7093-1	4.000	ST
8	7.311-427.0	Hexagon nut M8 -04-A2E DIN 985	4.000	ST
9	5.046-859.0	Lever left KSM 750	1.000	ST
10	6.343-175.0	Quick-fastener	1.000	ST
11	7.303-068.0	Screw M8x20 -St-R3R (In6Rd)	2.000	ST
12	6.312-069.0	Washer	1.000	ST
13	7.303-193.0	Saucer-head screw M 8x16-4.6-A0P DIN 60	2.000	ST
15	6.348-283.0	Round belt D10	1.000	ST
18	6.343-202.0	Quick-fastener	1.000	ST
19	5.047-582.0	Sheet metal component adjustment reversi	1.000	ST
20	5.100-178.0	Shaft lever	1.000	ST



90 Sweep tank

POS	Article no.	Description	Quantity	Unit
1	4.070-217.0	Sweep tank complete	1.000	ST
2	7.306-268.0	Screw M6x70 -8.8-R3R (In6Rd)	2.000	ST
3	5.110-635.0	Sleeve	2.000	ST
4	5.515-068.0	Wheel	2.000	ST
5	5.031-157.0	Slide part sweep tank KSM 750	3.000	ST
6	6.303-057.0	Countersunk screw 5,0X 16-ST-A2R	9.000	ST
7	6.365-395.0	Sealing lip rear	1.000	ST
9	7.312-291.0	Washer 6-200HV-P2R ISO7093-1	6.000	ST
10	5.031-847.0	Strip sweep tank only for replacement	1.000	ST



100 Vibrator

POS	Article no.	Description	Quantity	Unit	Remark
1	5.731-585.0	FILTER (WASHABLE)	1.000	ST	
2	7.312-003.0	Washer 6 -200HV-A3E ISO 7089	5.000	ST	
4	6.303-193.0	Cylinder head screw M 6X 12-8.8-R2R	9.000	ST	
5	5.046-971.0	Sheet metal component vibrator frame	1.000	ST	
6	5.048-137.0	Sheet metal component	1.000	ST	VERSION 2
6	7.777-999.0	Stockpiling discontinued	1.000	ST	VERSION 1
7	5.364-170.0	Seal	1.000	ST	
8	5.023-355.0	U-Section	1.000	ST	VERSION 2
8	4.038-451.0	Slider vibrator	1.000	ST	VERSION 1
9	5.030-900.0	Stripper	2.000	ST	
10	6.315-068.0	Rivet	10.000	ST	
11	7.343-302.0	Lock washer 8 -St-ph DIN 6799	2.000	ST	VERSION 1
11	7.316-342.0	Cotter 3,2x20 -St-A2E ISO 1234	1.000	ST	VERSION 2
12	5.107-199.0	Bar	1.000	ST	VERSION 2
12	5.107-162.0	Bar vibrator	1.000	ST	VERSION 1
13	5.322-022.0	Handhold filter remove	1.000	ST	
14	5.037-061.0	Hook	1.000	ST	