

Spare parts list

(1.161-311.0) B 90 R DOSE Bp Pack

Table of contents

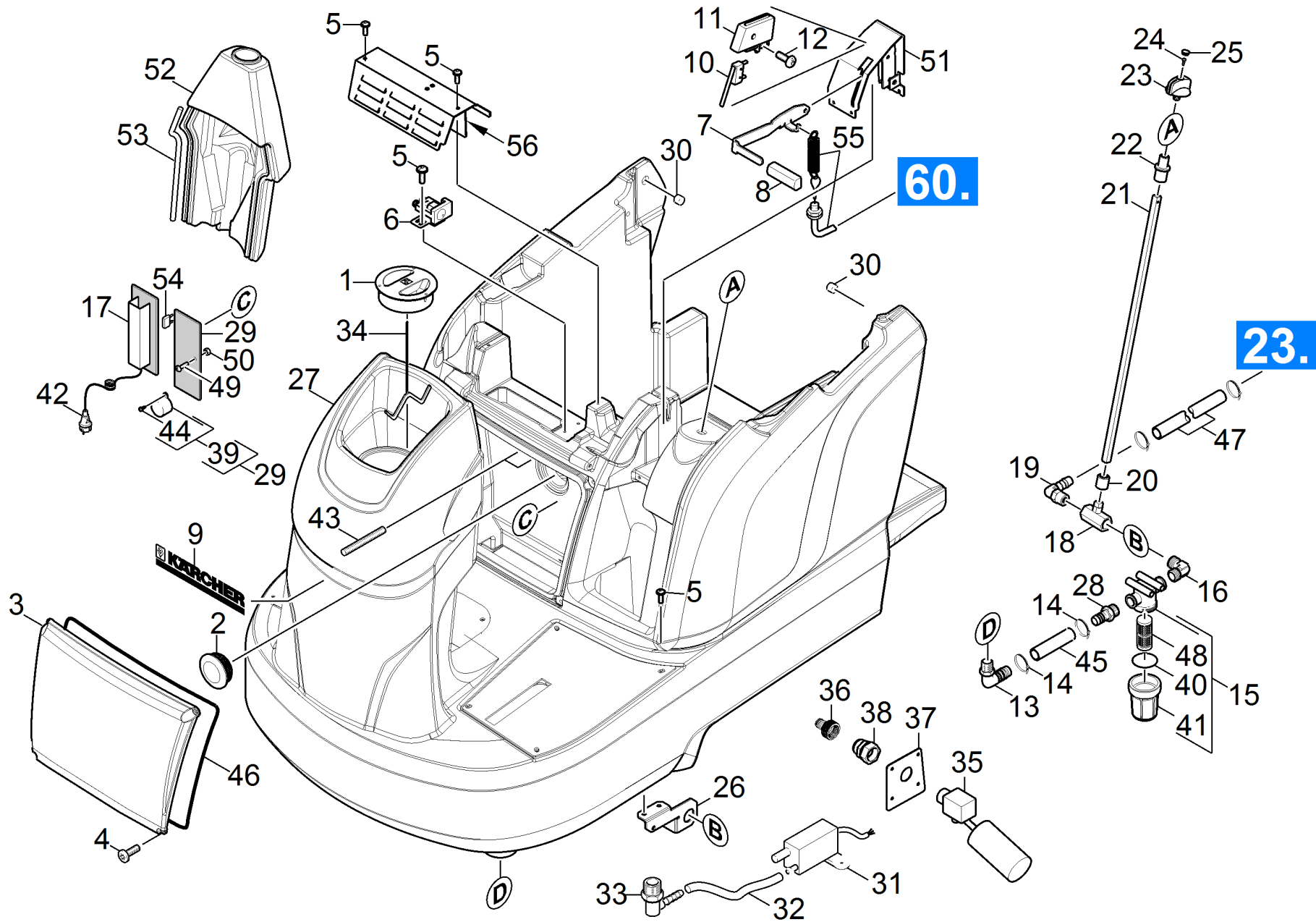
61 B 90 R DOSE Bp Pack (1.161-311.0)	3
10 Tank	4
11 Fresh water tank	5
55 Bowden wire suction bar (6.431-277.3)	8
12 Waste water tank	9
20 Carriage	11
21 Pedal	12
23 Add-on kit (2.641-718.0)	15
22 Ram protection	16
23 Individual parts	18
30 Steering	21
19 Wheel drive motor (6.613-315.0)	23
9004 Spare part set bearing (4.641-045.0)	25
38 Wheel drive motor 600W (6.613-206.3)	26
40 Seat	28
50 Battery	30
5 Pole binder single (6.643-948.0)	32
60 Suction beam retraction	34
10 Bowden wire suction bar (6.431-277.3)	36
70 Control console	37
2 Key switch (6.630-106.0)	39
80 RM metering	41
15 Cover cleaning agents complete (4.060-866.0)	43

61 B 90 R DOSE Bp Pack (1.161-311.0)

POS	Description	Quantity	Unit
10	Tank	1.000	ST
10	Documentation B 90 R	1.000	ST
20	Carriage	1.000	ST
30	Steering	1.000	ST
40	Seat	1.000	ST
50	Battery	1.000	ST
60	Suction beam retraction	1.000	ST
70	Control console	1.000	ST
80	RM metering	1.000	ST

10 Tank

POS	Description	Quantity	Unit
11	Fresh water tank	1.000	ST
12	Waste water tank	1.000	ST



11 Fresh water tank

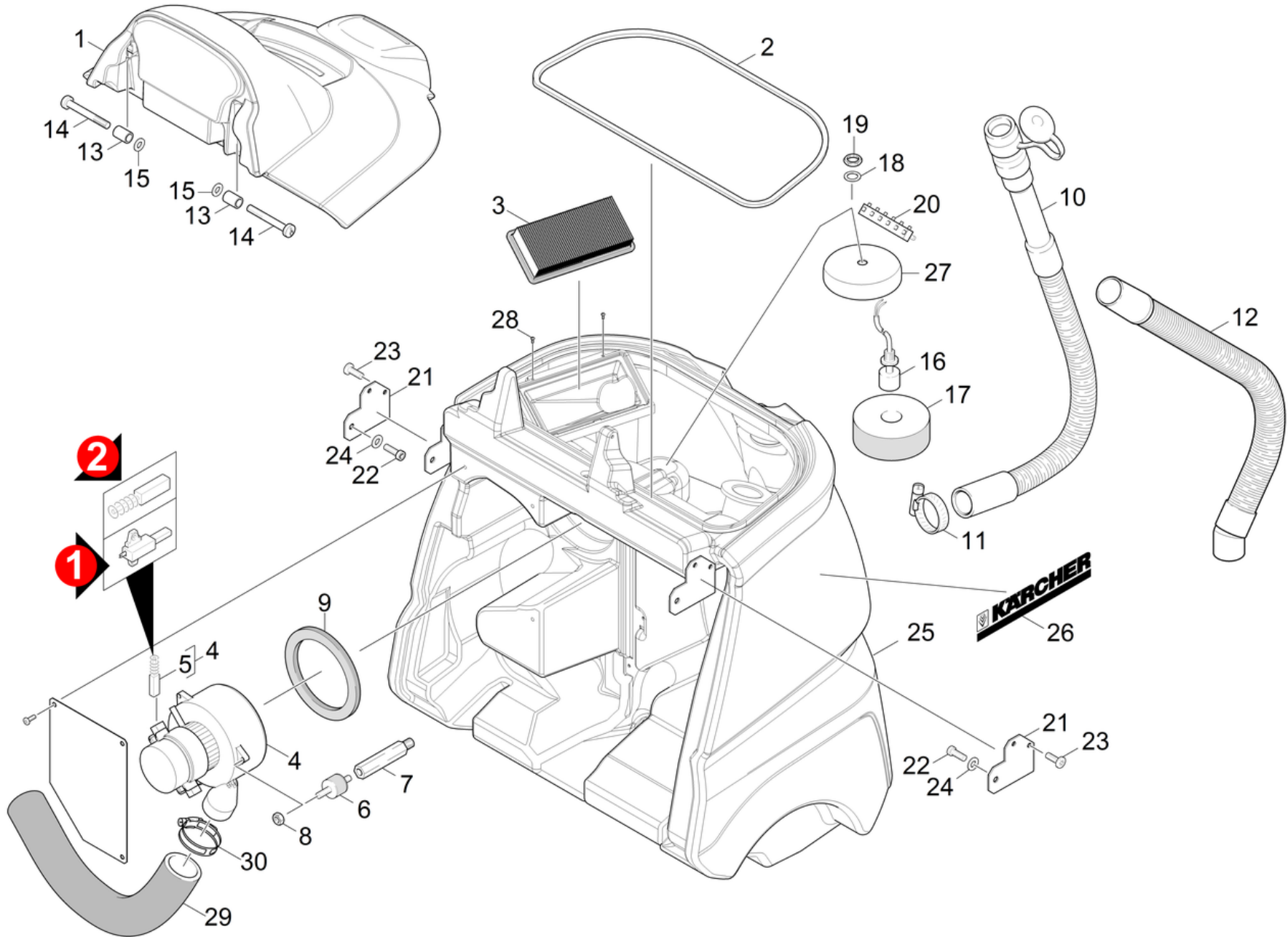
POS	Article no.	Description	Quantity	Unit	Foot note text
1	5.064-389.0	Cover	1.000	ST	
2	5.132-124.0	Plug	1.000	ST	
3	5.064-259.0	Covering cap electronics	1.000	ST	
4	7.306-089.0	Screw M6x12 -8.8-R2R (In6Rd)	4.000	ST	
5	7.303-107.0	Screw 5x16 -10.9-P2R (K-In6Rd)	10.000	ST	
6	6.633-389.0	Relay	1.000	ST	
7	5.062-281.0	Plate handhold	1.000	ST	
8	5.321-457.0	Handhold	1.000	ST	
9	5.383-754.0	Label	1.000	ST	
10	6.630-398.0	Micro switch	1.000	ST	
11	5.060-998.0	Housing micro switch	1.000	ST	
12	7.303-129.0	Screw 4x16 -10.9-R2R (K-In6Rd)	1.000	ST	
13	5.443-481.0	Angle bushing	1.000	ST	
14	6.641-464.0	Cable tie	2.000	ST	
15	6.907-203.3	Filter fresh water	1.000	ST	
16	6.391-717.0	Elbow screw connector 1/2"	1.000	ST	
17	6.654-278.3	Battery charger on board 24V 35A	1.000	ST	
18	6.413-586.0	Ball valve without handhold	1.000	ST	
19	6.390-002.0	Angle bushing	1.000	ST	
20	5.470-068.0	Coupler	1.000	ST	
21	5.107-281.0	Bar	1.000	ST	
22	5.470-034.0	Coupler	1.000	ST	
23	5.321-509.0	Handhold	1.000	ST	
24	7.303-065.0	Sheet metal screw ST3,5X25-ST-A2R (IN6R	1.000	ST	
25	6.368-076.0	Ornamental hub cap D10/D12	1.000	ST	
26	5.009-902.0	Retaining plate water filter	1.000	ST	
27	4.071-210.0	Fresh water tank only for replacement B	1.000	ST	
28	6.389-692.0	Hose stem 1/2"	1.000	ST	
29	2.816-102.3	Electric equipment B 90 R	1.000	ST	
30	5.673-147.0	Plug	2.000	ST	
31	6.682-933.3	Pressure sensor	1.000	ST	
32	6.390-074.0	Hose black PE 6/4	1.000	M	TO ORDER AS CUT GOODS
33	6.391-821.0	Angle bushing R 1/4-4mm	1.000	ST	

11 Fresh water tank

POS	Article no.	Description	Quantity	Unit	Foot note text
34	5.190-290.0	Cover fuse	1.000	ST	
35	6.632-439.0	Float regulator Befuellsystem	1.000	ST	
36	6.465-031.0	Connection 3/4	1.000	ST	
37	5.007-949.0	Plate	5.000	ST	
38	5.515-327.0	Extension 3/4"	1.000	ST	
39	4.630-009.0	Buzzer spare part kit	1.000	ST	
40	6.363-600.0	O-Ring seal	1.000	ST	
41	6.414-985.0	Filter cup	1.000	ST	
42	6.642-133.0	Power plug *EU	1.000	ST	
43	7.307-421.0	Threaded pin M6x70-A2-21H ISO 4026	2.000	ST	
44	7.306-204.0	Screw M 3X 10-A2-70 (IN6RD)	2.000	ST	
45	6.390-573.0	Hose D 16 X 4	1.000	M	TO ORDER AS CUT GOODS
46	6.273-055.0	Profile gasket	1.000	M	TO ORDER AS CUT GOODS
47	6.390-892.0	Spiral hose NW12	1.000	M	TO ORDER AS CUT GOODS
48	6.414-835.0	Filter cartridge	1.000	ST	
49	7.306-184.0	Screw M5x30 -A2-70 (In6Rd)	2.000	ST	
50	7.311-421.0	Hexagon nut M 5-04-A2E DIN 985	2.000	ST	
51	4.040-710.0	Holder	1.000	ST	
52	5.064-298.0	Covering steering pillar	1.000	ST	
53	6.273-268.0	Seal cellular rubber	2.000	M	
54	7.644-007.0	Fuse insert C 7,5 DIN 72581-3	1.000	ST	
55	6.431-277.3	Bowden wire suction bar	1.000	ST	
56	6.368-018.0	Edge protection	0.200	M	

55 Bowden wire suction bar (6.431-277.3)

POS	Article no.	Description	Quantity	Unit
1	6.330-253.0	Extension spring	1.000	ST

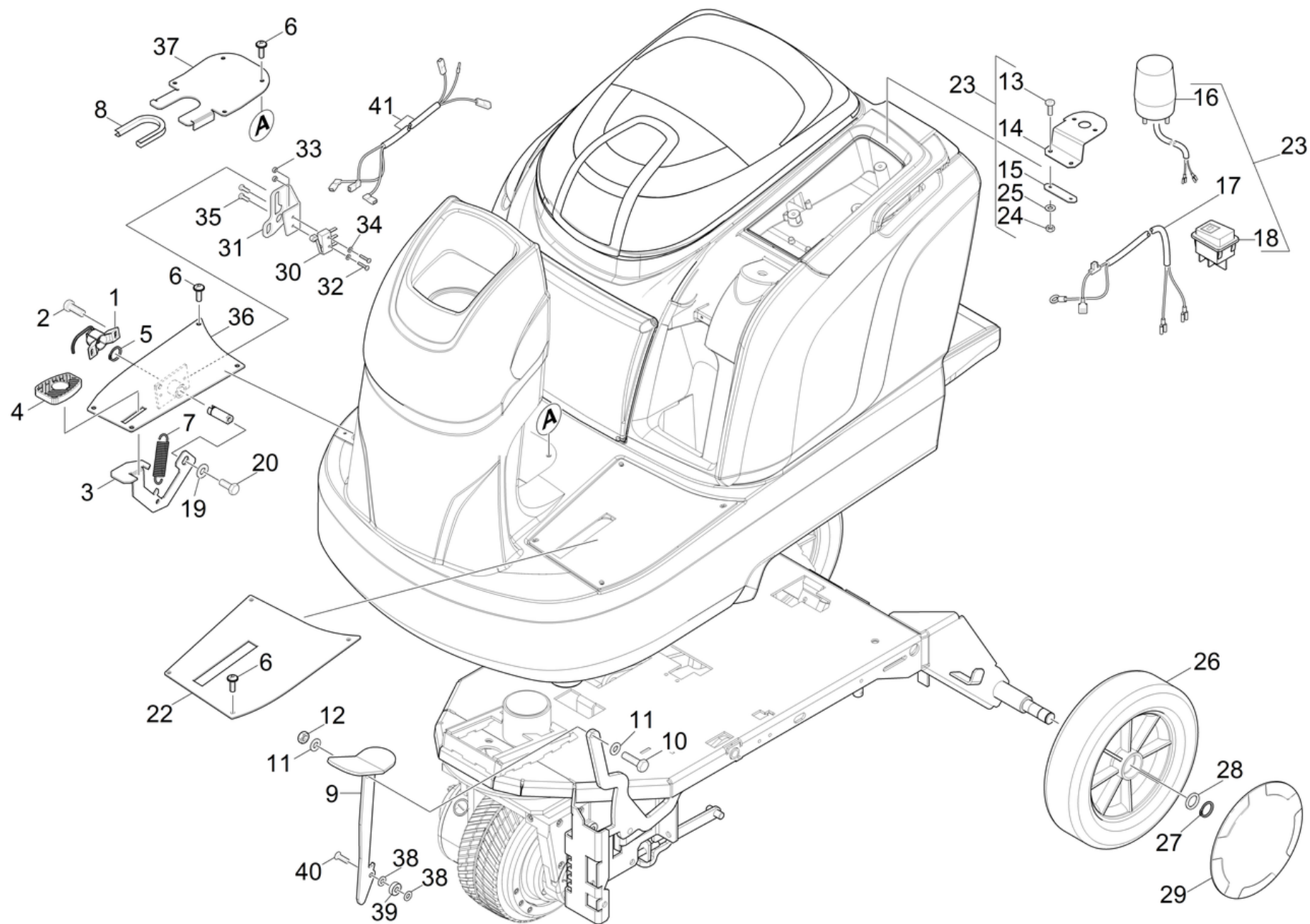


12 Waste water tank

POS	Article no.	Description	Quantity	Unit	Foot note text
1	5.064-257.0	Cover tank	1.000	ST	
2	6.366-043.0	Sealing profile	1.000	M	TO ORDER AS CUT GOODS
3	6.414-976.0	Filter only for replacement	1.000	ST	
4	6.490-000.0	Vacuum motor 24V 420W	1.000	ST	VERSION 1
4	4.035-054.0	Vacuum motor replacement	1.000	ST	VERSION 2
5	6.490-260.0	Carbon brush set	1.000	ST	VERSION 2
5	6.490-230.0	Carbon brush set	1.000	ST	VERSION 1
6	6.339-021.0	Rubber buffer 2xM6-D20 H15	3.000	ST	
7	5.308-066.0	Stud bolt	3.000	ST	
8	7.311-541.0	Hexagon nut M 6-8-A2E EN 1661	3.000	ST	
9	5.363-574.0	Joint ring	1.000	ST	
10	6.392-332.0	Drain hose DN38 B 90 R	1.000	ST	STANDARD
10	6.392-049.0	Drain hose oil resistant DN38 B90 R	1.000	ST	OIL RESISTANT
11	6.388-713.0	Hose clip	1.000	ST	
12	6.391-593.0	Suction hose oil resistant DN 38	1.000	ST	
13	5.116-356.0	Sleeve	2.000	ST	
14	7.303-114.0	Screw 6 x 35-ST-10.9-R2R (IN6RD)	2.000	ST	
15	7.312-276.0	Washer 6 -200HV-A2E ISO7093-1	2.000	ST	
16	6.632-000.0	Float regulator	1.000	ST	
17	5.585-041.3	Float foam stop	1.000	ST	
18	6.641-654.0	Flat gasket 13X20	1.000	ST	
19	6.641-483.0	Locknut PG7	1.000	ST	
20	6.643-556.0	Terminal clamp	1.000	ST	
21	5.009-538.0	Plate connection	2.000	ST	
22	6.304-013.0	Cylinder head screw M 8X 16	2.000	ST	
23	7.306-089.0	Screw M6x12 -8.8-R2R (In6Rd)	4.000	ST	
24	7.313-004.0	Spring washer B 8-FSt-A3E DIN 127	2.000	ST	
25	4.071-211.0	Waste water tank only for replacement B	1.000	ST	
26	5.383-754.0	Label	2.000	ST	
27	5.033-416.0	Cover float	1.000	ST	
28	7.303-104.0	Screw 5x16 -A2-70 (IN6RD)	2.000	ST	
29	6.390-215.0	Soundproof hose	1.000	ST	
30	6.388-563.0	Hose clip	1.000	ST	

20 Carriage

POS	Description	Quantity	Unit
21	Pedal	1.000	ST
22	Ram protection	1.000	ST
23	Individual parts	1.000	ST



21 Pedal

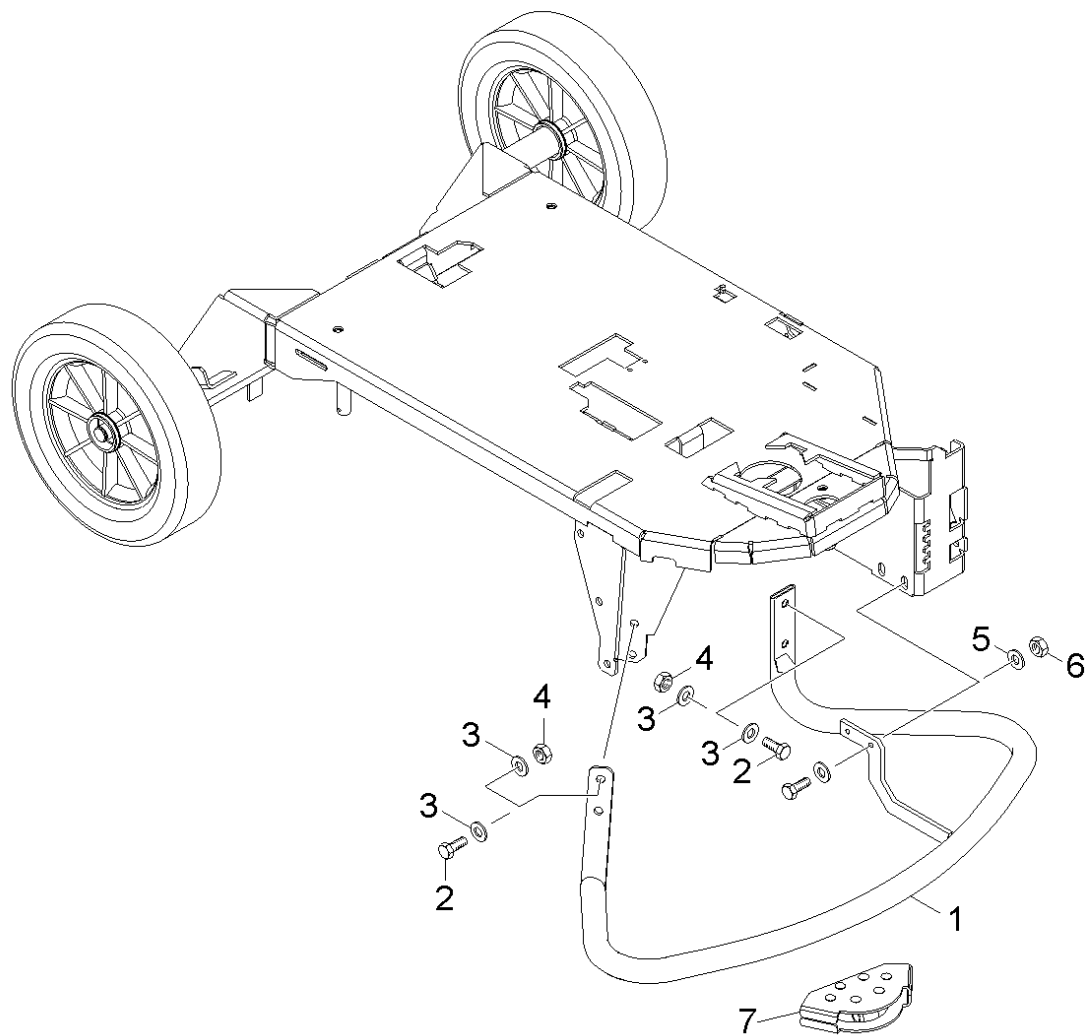
POS	Article no.	Description	Quantity	Unit	Foot note text
1	4.683-089.0	Control system Fahrregler Sensor B90R	1.000	ST	
2	7.303-037.0	Screw M5x10 -St-P2R (In6Rd)	2.000	ST	
3	5.062-426.0	Plate gas pedal	1.000	ST	
4	6.321-046.0	Coating pedal	1.000	ST	
5	7.343-005.0	Locking ring 16x1-FST-PHR DIN 471	1.000	ST	
6	7.303-107.0	Screw 5x16 -10.9-P2R (K-In6Rd)	12.000	ST	
7	6.330-241.0	Extension spring	1.000	ST	
8	6.368-018.0	Edge protection	1.000	M	TO ORDER AS CUT GOODS
9	4.481-273.0	Pedal lifting power brush	1.000	ST	
10	7.304-399.0	Hexagonal head screw M 8x25-8.8-A2E ISO	1.000	ST	
11	7.312-004.0	Washer 8 -200HV-A3E ISO 7090	2.000	ST	
12	7.311-510.0	Hexagon nut M 8-8-A2E ISO 7040	1.000	ST	
13	7.306-077.0	Screw M5x16 -8.8-R2R (In6Rd)	2.000	ST	
14	5.010-058.0	Retaining plate warning light	1.000	ST	
15	5.010-059.0	Plate	1.000	ST	
16	6.651-635.0	Flashing light orange 24 V	1.000	ST	
17	4.822-562.0	Cable harness Blitzer	1.000	ST	
18	6.632-369.0	Switch two-pole revolving signal light	1.000	ST	
19	7.312-289.0	Washer 8 -A2 ISO 7093-1	1.000	ST	
20	7.304-538.0	Hexagonal head screw M8x16-A4-70 ISO 40	1.000	ST	
21	4.033-756.0	Bottom plate complete	1.000	ST	
22	5.009-524.0	Bottom plate left	1.000	ST	
23	2.641-718.0	Add-on kit	1.000	ST	
24	7.311-002.0	Hexagon nut M5 -8-A2E ISO 4032	2.000	ST	
25	7.312-002.0	Washer 5-200HV-A3E ISO 7090	2.000	ST	
26	6.435-350.0	Wheel	2.000	ST	
27	7.343-040.0	Locking ring 20x1,2 -St-ph DIN 471	2.000	ST	
28	5.115-733.0	Washer	2.000	ST	
29	5.064-391.0	Wheel cap	2.000	ST	
30	6.630-732.0	Switch gold plated	1.000	ST	
31	5.065-742.0	Retaining plate micro switch	1.000	ST	
32	7.306-045.0	Screw M2x20 -4.8-A2K DIN 84	2.000	ST	
33	7.311-074.0	Hexagon nut M 2-8-A2E ISO 4032	2.000	ST	

21 Pedal

POS	Article no.	Description	Quantity	Unit	Foot note text
34	7.312-053.0	Washer 2,5-200HV-A3E ISO 7089	2.000	ST	
35	7.306-213.0	Screw M5x6 -A2-70 (In6Rd)	2.000	ST	
36	4.033-756.0	Bottom plate complete	1.000	ST	
37	5.009-531.0	Cover plate steering	1.000	ST	
38	7.312-004.0	Washer 8 -200HV-A3E ISO 7090	2.000	ST	
39	7.401-149.0	Ball bearing 608-2RS -Wälzl.St DIN 625	1.000	ST	
40	7.305-013.0	Countersunk screw M8x20-8.8-A2R ISO1064	1.000	ST	
41	2.641-417.0	Conversion kit cable kit micro switch B	1.000	ST	

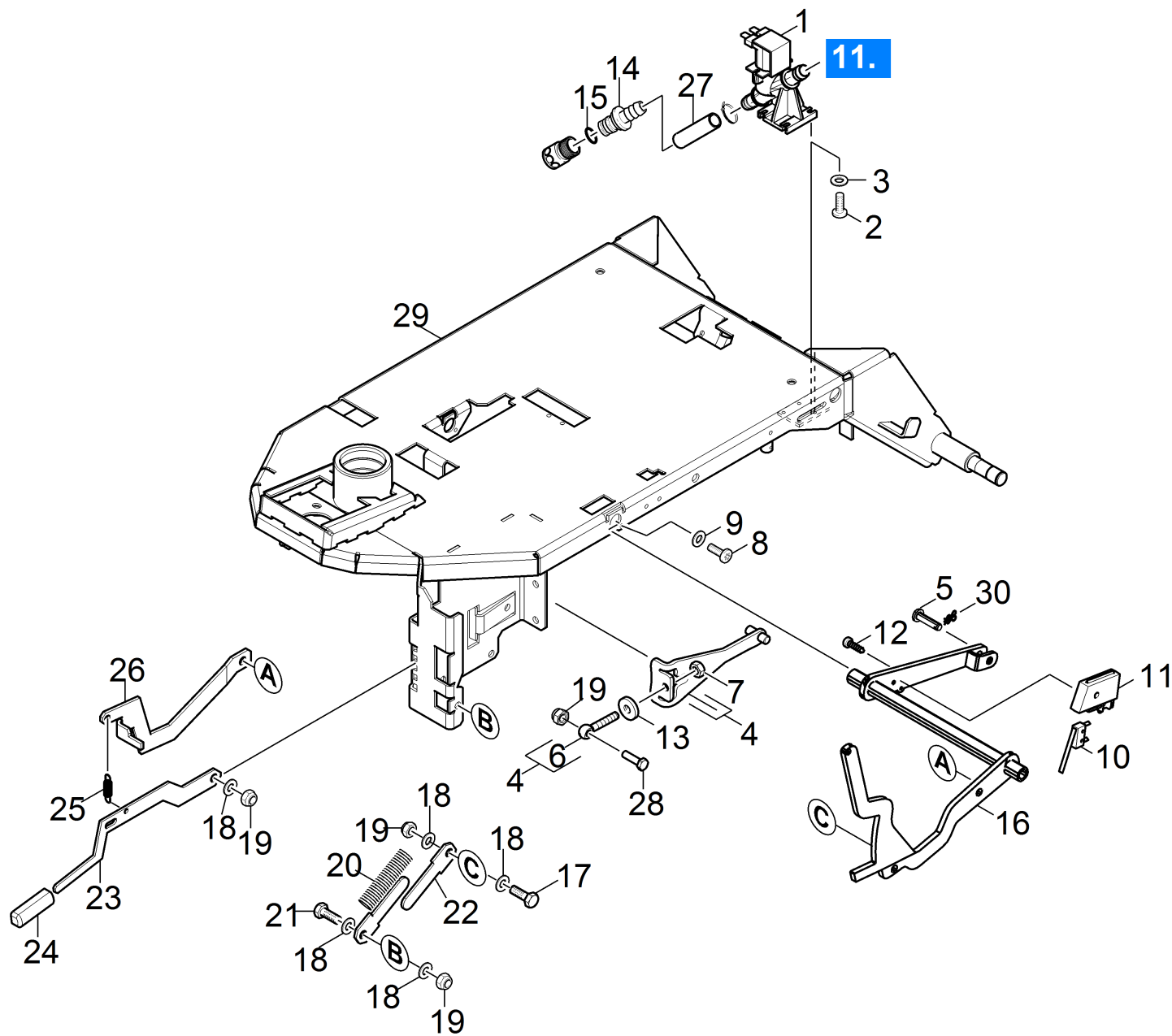
23 Add-on kit (2.641-718.0)

POS	Article no.	Description	Quantity	Unit
10	5.010-058.0	Retaining plate warning light	1.000	ST
20	5.010-059.0	Plate	1.000	ST
30	6.651-635.0	Flashing light orange 24 V	1.000	ST
40	4.822-562.0	Cable harness Blitzer	1.000	ST
50	6.632-476.0	Switch two-pole lamp	1.000	ST
70	6.641-459.0	Cable clamp	3.000	ST
80	7.311-002.0	Hexagon nut M5 -8-A2E ISO 4032	1.000	ST
90	7.312-002.0	Washer 5-200HV-A3E ISO 7090	1.000	ST
100	7.306-077.0	Screw M5x16 -8.8-R2R (In6Rd)	2.000	ST



22 Ram protection

POS	Article no.	Description	Quantity	Unit
1	4.040-727.0	Ram protection	1.000	ST
2	7.304-415.0	Hexagonal head screw M10x25-8.8-A3E ISO	4.000	ST
3	7.312-005.0	Washer 10-200HV-A3E ISO 7090	8.000	ST
4	7.311-511.0	Hexagon nut M10-8-A2E ISO 7040	4.000	ST
5	7.312-004.0	Washer 8 -200HV-A3E ISO 7090	1.000	ST
6	7.311-510.0	Hexagon nut M 8-8-A2E ISO 7040	1.000	ST
7	2.641-773.0	Add-on kit castor	1.000	ST

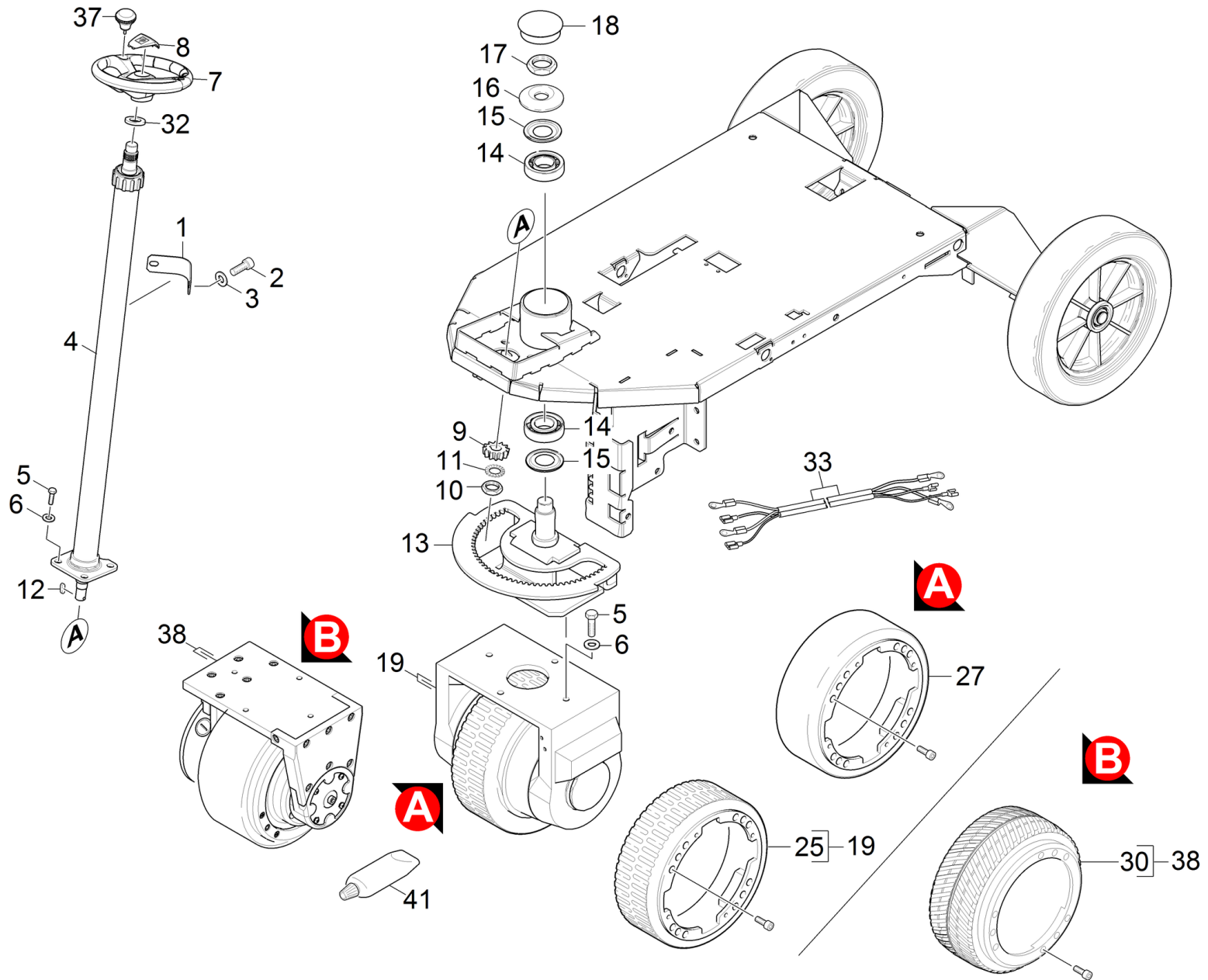


23 Individual parts

POS	Article no.	Description	Quantity	Unit	Remark	Foot note text
1	4.035-196.0	Solenoid valve for replacement 24 V	1.000	ST		
2	7.306-058.0	Screw M 4X 12- 8.8-R2R K-IN6RD	4.000	ST		
3	7.311-569.0	Square nut M4 -04-A2E DIN 562	4.000	ST		
4	4.481-299.0	Add-on kit tension rod	2.000	ST		
5	7.316-210.0	Bolt B10,0x40-ST-A2E ISO 2341	1.000	ST		
6	6.401-475.0	Eye screw LB-5.6 M10x70	2.000	ST	M10x70	PAY ATTENTION TO VERSION
6	6.401-419.0	Eye screw LB M10x60 DIN 444	2.000	ST	M10x60	PAY ATTENTION TO VERSION
7	7.311-006.0	Hexagon nut M10 -8-A3E ISO 4032	2.000	ST		
8	7.303-047.0	Screw M6x16 -St-R3R (In6Rd)	2.000	ST		
9	7.312-003.0	Washer 6 -200HV-A3E ISO 7090	2.000	ST		
10	6.630-398.0	Micro switch	1.000	ST		
11	5.060-998.0	Housing micro switch	1.000	ST		
12	7.303-065.0	Sheet metal screw ST3,5X25-ST-A2R (IN6R)	1.000	ST		
13	7.310-041.0	Knurled nut M10- St-E2E DIN 467	2.000	ST		
14	5.443-375.0	Hose stem	1.000	ST		
15	6.362-170.0	O-Ring seal 11,3 X 2,4-NBR 70	1.000	ST		
16	4.481-240.0	Lever brush-head	1.000	ST		
17	7.304-417.0	Hexagonal head screw M10x30-8.8-A3E ISO	1.000	ST		
18	7.312-005.0	Washer 10-200HV-A3E ISO 7090	10.000	ST		
19	7.311-511.0	Hexagon nut M10-8-A2E ISO 7040	3.000	ST		
20	5.332-962.0	Pressure spring	1.000	ST		
21	7.304-415.0	Hexagonal head screw M10x25-8.8-A3E ISO	1.000	ST		
22	5.009-763.0	Plate holder spring	1.000	ST		
23	5.062-283.0	Plate contact pressure	1.000	ST		
24	5.321-457.0	Handhold	1.000	ST		
25	6.330-409.0	Extension spring	1.000	ST		
26	5.009-490.0	Plate contact pressure	1.000	ST		
27	6.388-248.0	Hose DN12,5	1.000	M		TO ORDER AS CUT GOODS
28	7.304-419.0	Hexagonal head screw M10x35-8.8-A3E ISO	2.000	ST		
29	4.050-881.0	Frame BR/BD 65/90 R	1.000	ST		

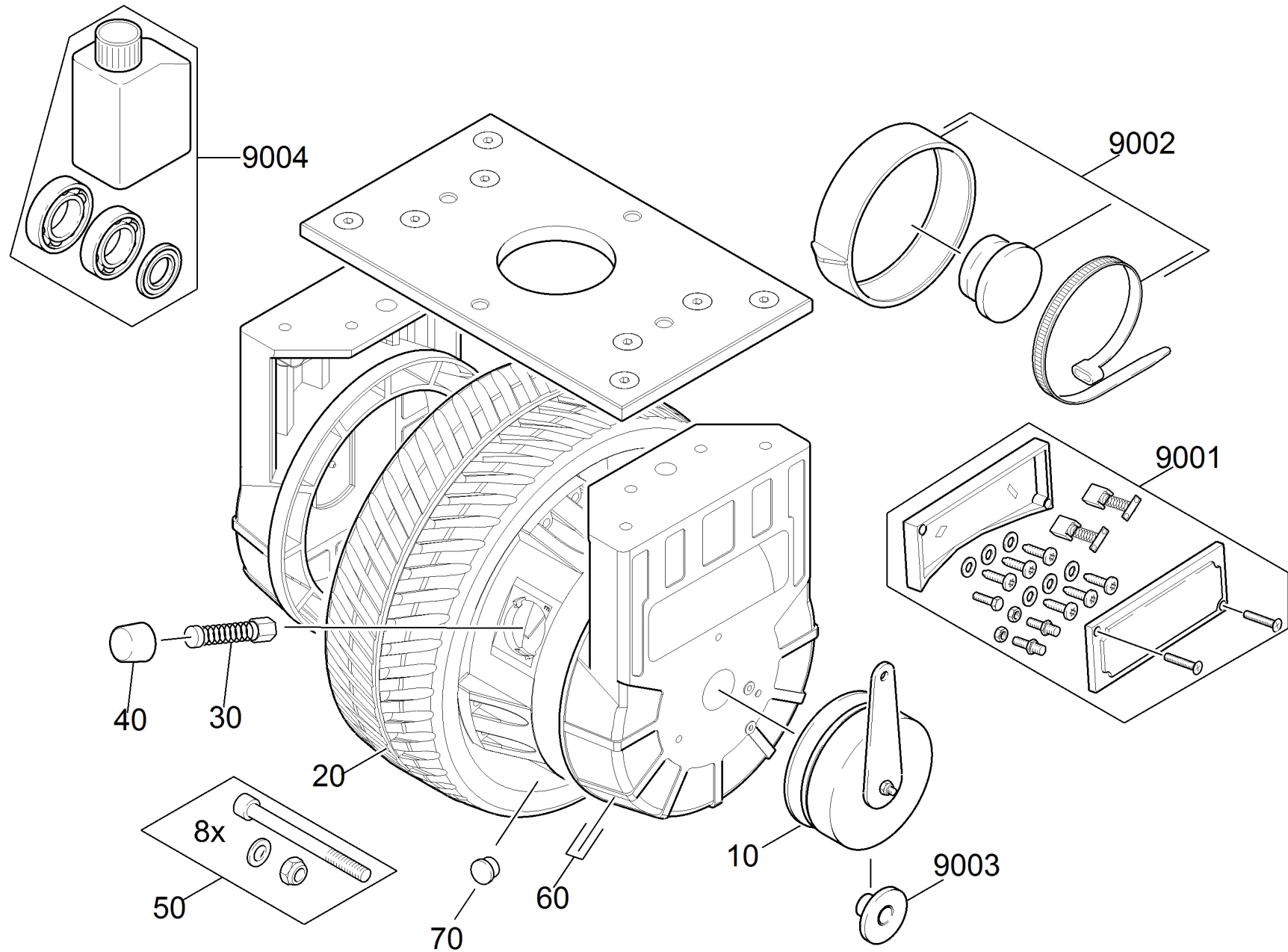
23 Individual parts

POS	Article no.	Description	Quantity	Unit	Remark	Foot note text
30	6.035-047.0	Spring clip double	1.000	ST		



30 Steering

POS	Article no.	Description	Quantity	Unit	Remark	Foot note text
1	5.009-542.0	Plate steering pillar	1.000	ST		
2	7.306-040.0	Cylinder head screw M8x16 -8.8-A2E ISO4	2.000	ST		
3	7.312-004.0	Washer 8 -200HV-A3E ISO 7090	2.000	ST		
4	6.439-202.0	Steering pillar BR 65/90	1.000	ST		
5	7.304-415.0	Hexagonal head screw M10x25-8.8-A3E ISO	8.000	ST		
6	7.313-005.0	Spring washer B10-FSt-A3E DIN 127	8.000	ST		
7	6.435-795.0	Steering wheel	1.000	ST		
8	6.640-353.0	Cap steering wheel KÄRCHER	1.000	ST		
9	5.352-090.0	Gear wheel	1.000	ST		
10	7.311-059.0	Hexagon nut M16x1,5 -8-A2E ISO10512	1.000	ST		
11	7.312-035.0	Serrated lock washer A17-1.4310 DIN 679	1.000	ST		
12	7.318-084.0	Parallel key 5x5x12 -C45K DIN 6885-1	1.000	ST		
13	4.250-001.0	Flanged bearing complete	1.000	ST		
14	6.401-260.0	Angular contact ball bearing	2.000	ST		
15	6.401-263.0	Slip ring	2.000	ST		
16	7.312-010.0	Washer 24 -200HV-A3E ISO 7090	1.000	ST		
17	7.311-122.0	Hexagon nut M24X1,5-22H-A2E DIN 936	1.000	ST		
18	6.368-215.0	Cap	1.000	ST		
19	6.613-315.0	Wheel drive motor	1.000	ST		VERSION A
25	6.435-402.0	Tire Trike	1.000	ST		VERSION A
27	6.435-417.0	Tire Trike	1.000	ST	VERSION A	OIL RESISTANT
30	6.435-854.0	Tire wheel drive motor	1.000	ST		VERSION B
32	7.312-065.0	Washer 22-A2 ISO 7090	1.000	ST		
33	6.650-076.0	Cable set nur für Ersatz	1.000	ST		
37	6.640-354.0	Handle	1.000	ST		
38	6.613-206.3	Wheel drive motor 600W	1.000	ST		VERSION B
41	6.288-134.0	Grease gleitmo WSP 5040	1.000	ZST		

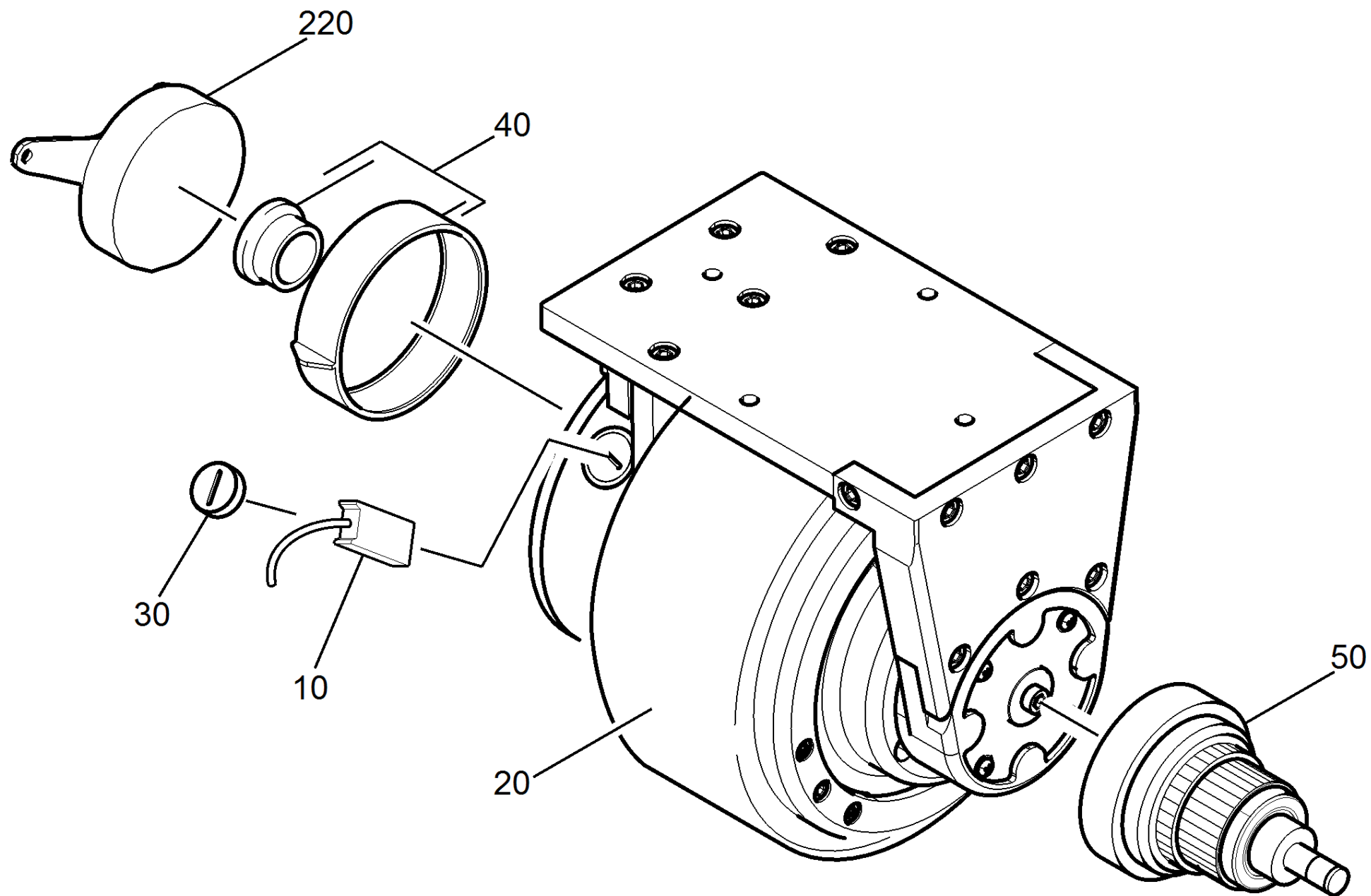


19 Wheel drive motor (6.613-315.0)

POS	Article no.	Description	Quantity	Unit	Foot note text
10	4.467-002.0	Brake adjustable complete	1.000	ST	VERSION A
20	6.435-402.0	Tire Trike	1.000	ST	
30	6.610-211.0	Carbon brush set	1.000	ST	VERSION A
40	6.961-901.0	Cap with bayonet	4.000	ST	VERSION A
50	6.610-329.0	Spare part set screw rim	1.000	ST	VERSION A
60	6.613-476.0	Flange gear replacement	1.000	ST	
70	6.368-062.0	Protecting cap GPN 300 V	8.000	ST	
9001	6.610-328.0	Spare part set terminal box wheel drive	1.000	ST	VERSION A
9002	6.467-039.0	Retrofit kit brake	1.000	ST	
9003	6.394-391.0	Coupler brake BR/BD TRIKE	1.000	ST	VERSION A
9004	4.641-045.0	Spare part set bearing	1.000	ST	VERSION A

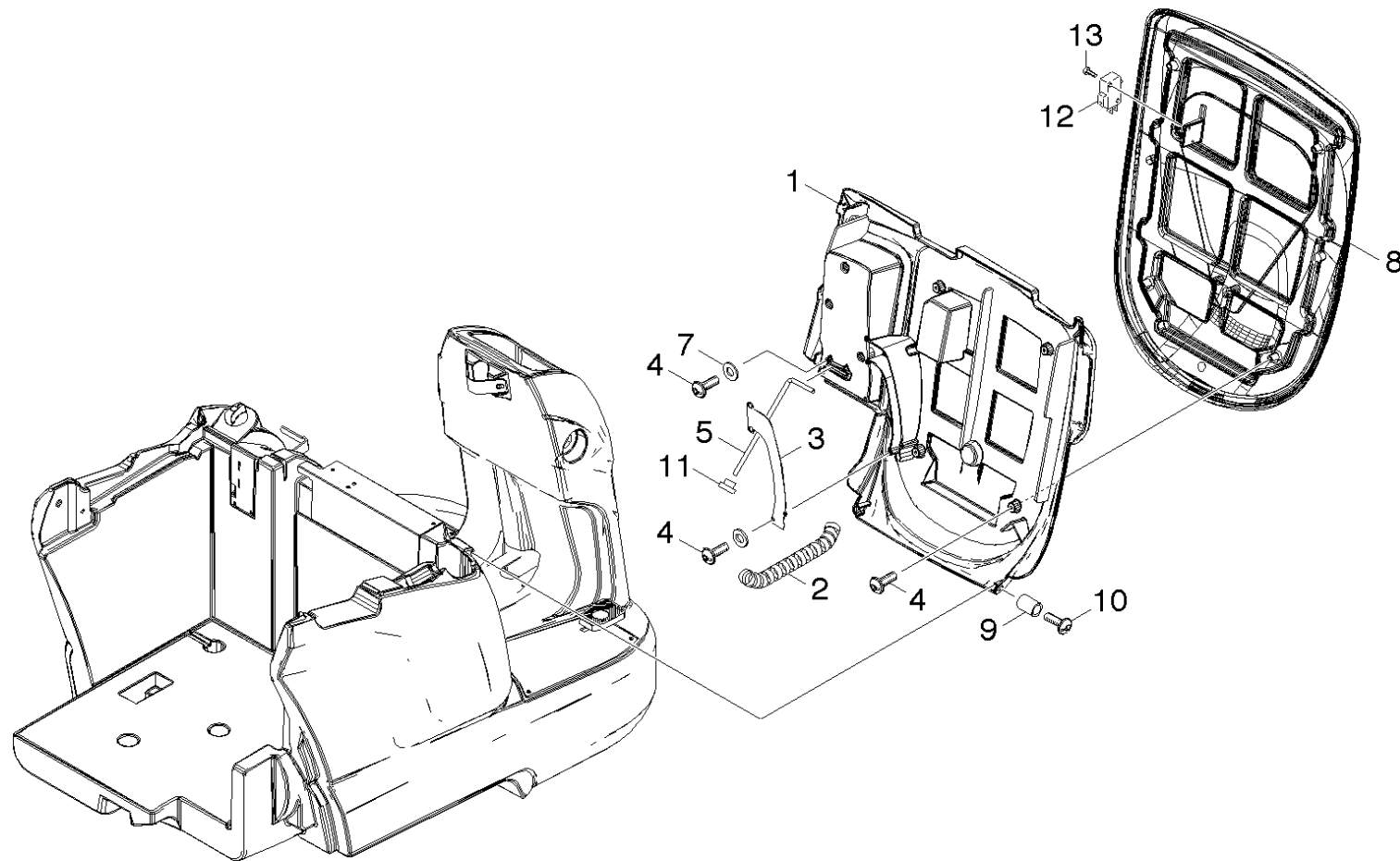
9004 Spare part set bearing (4.641-045.0)

POS	Article no.	Description	Quantity	Unit
1	7.401-134.0	Ball bearing 6203-2RS-WAELZLAGST DIN 625	1.000	ST
2	7.401-133.0	Ball bearing 6004-2RS -Wälzl.St DIN 625	1.000	ST
4	6.997-364.0	Synthesis oil CLP150	1.000	ST



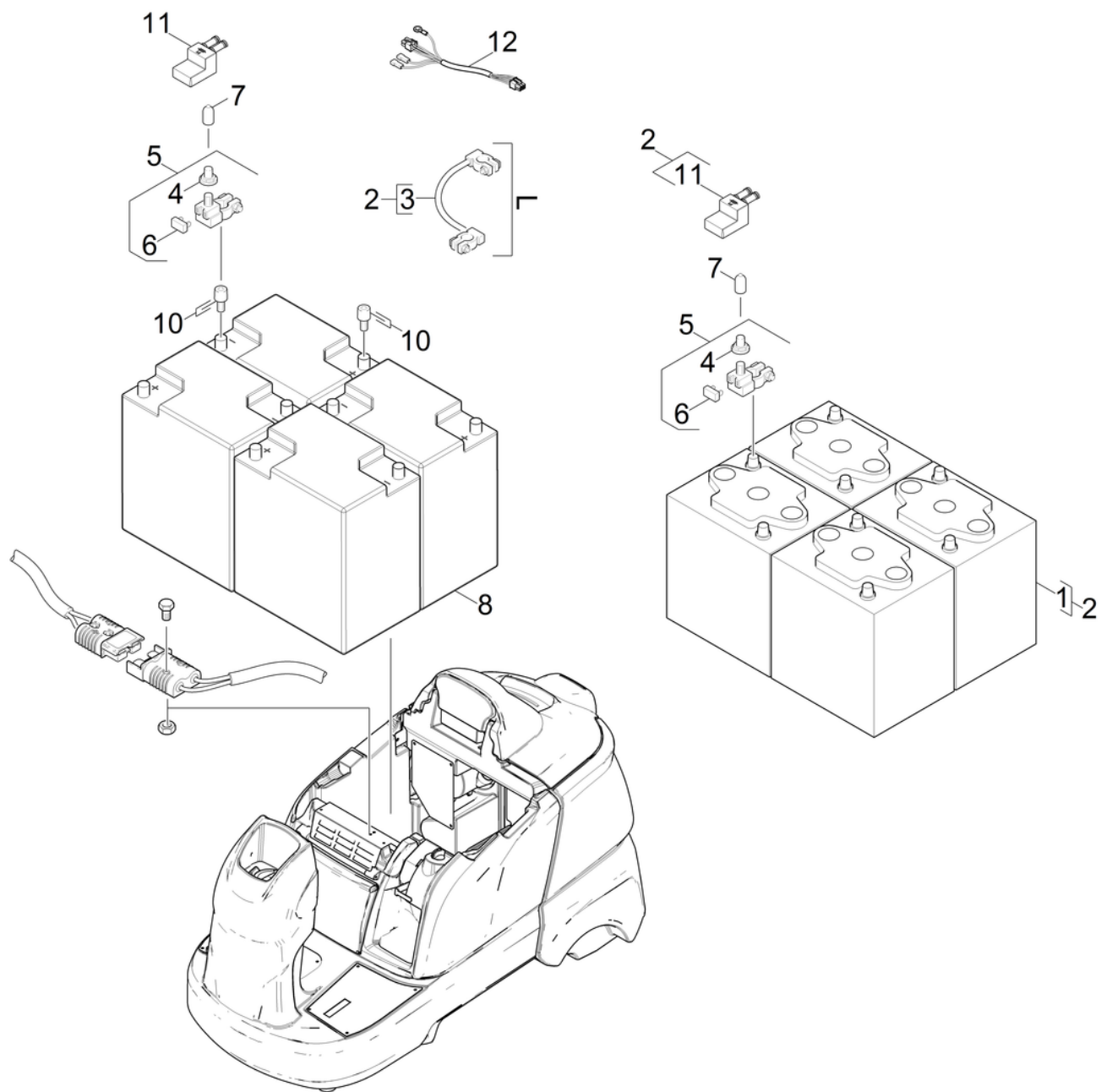
38 Wheel drive motor 600W (6.613-206.3)

POS	Article no.	Description	Quantity	Unit
10	6.613-231.0	Carbon brush set	1.000	ST
20	6.435-854.0	Tire wheel drive motor	1.000	ST
30	6.961-924.0	Cover closure	1.000	ST
40	6.467-039.0	Retrofit kit brake	1.000	ST
50	6.550-042.0	Set armature shaft wheel drive motor	1.000	ST
220	4.467-000.0	Brake adjustable complete	1.000	ST
9000	6.288-134.0	Grease gleitmo WSP 5040	1.000	ZST



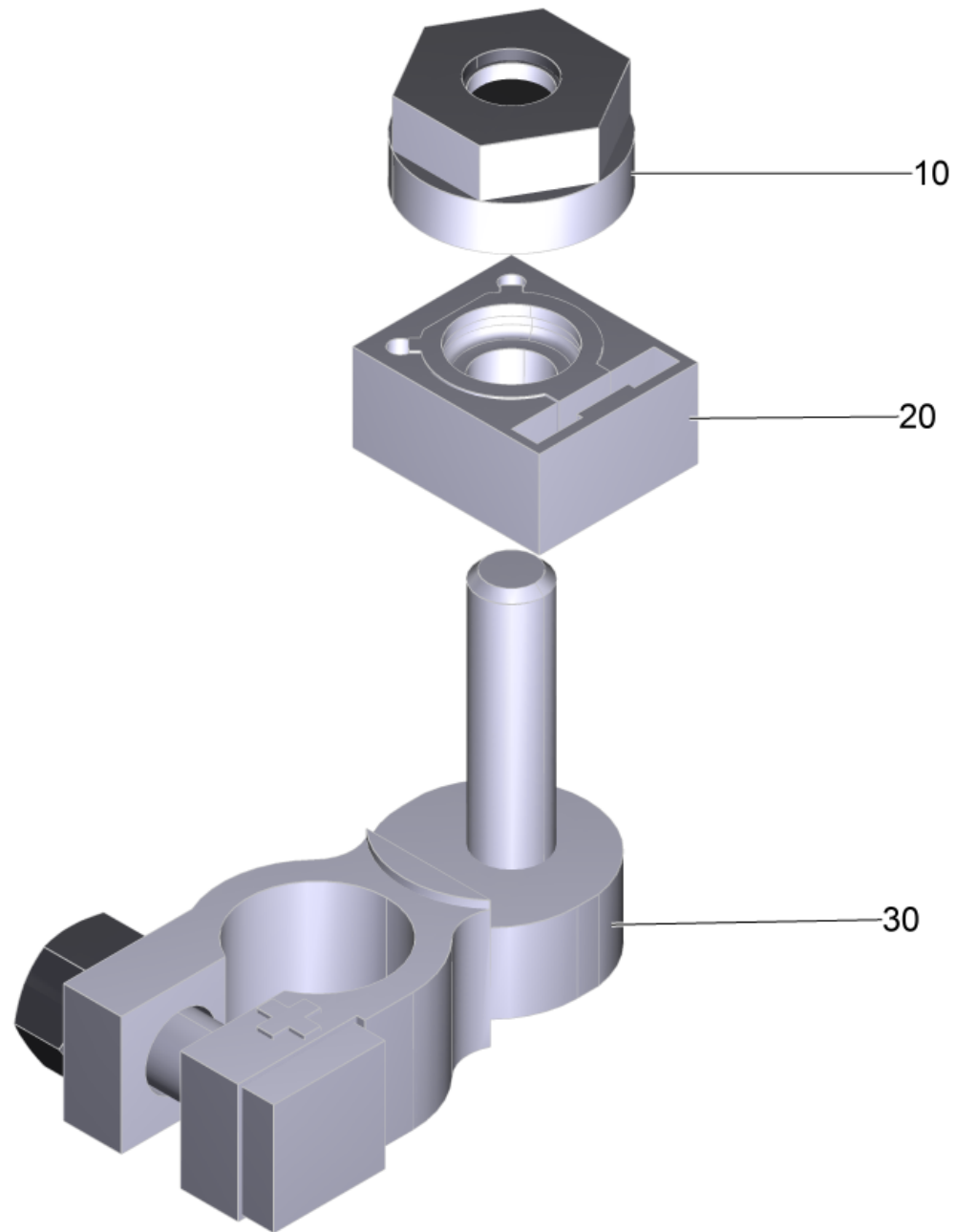
40 Seat

POS	Article no.	Description	Quantity	Unit	Foot note text
1	5.064-258.0	Cover seat	1.000	ST	
2	6.390-219.0	Protection hose	1.000	M	TO ORDER AS CUT GOODS
3	5.009-508.0	Cover plate	1.000	ST	
4	7.303-107.0	Screw 5x16 -10.9-P2R (K-In6Rd)	10.000	ST	
5	5.107-278.0	Bar cover seat	1.000	ST	
6	7.303-107.0	Screw 5x16 -10.9-P2R (K-In6Rd)	6.000	ST	
7	7.312-278.0	Washer 5-200HV-A2E ISO7093-1	2.000	ST	
8	6.394-973.3	Seat	1.000	ST	
9	5.116-356.0	Sleeve	2.000	ST	
10	7.303-114.0	Screw 6 x 35-ST-10.9-R2R (IN6RD)	2.000	ST	
11	6.641-446.0	Cable bushing	1.000	ZST	
12	6.631-854.0	Micro switch	1.000	ST	
13	7.306-045.0	Screw M2x20 -4.8-A2K DIN 84	2.000	ST	



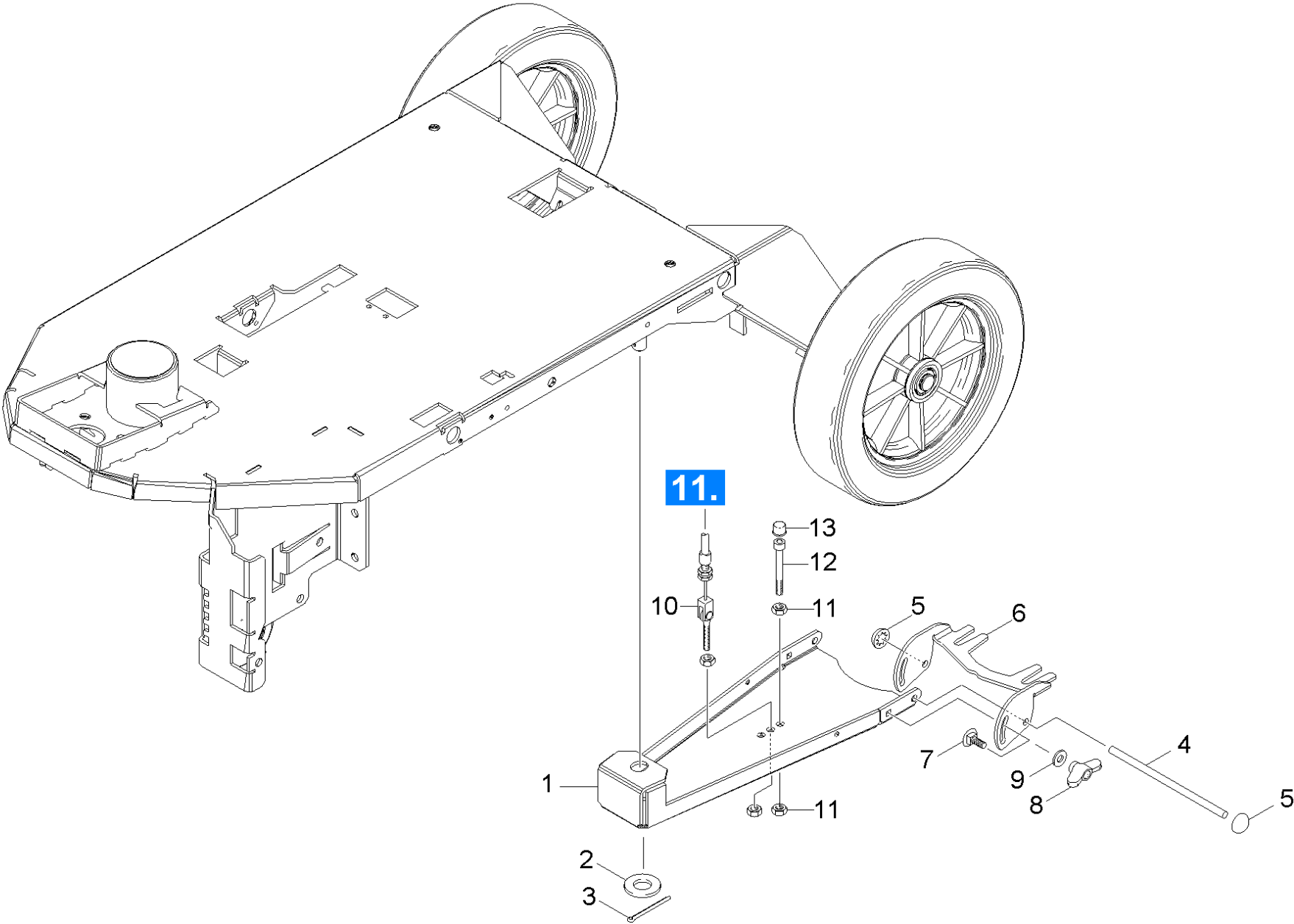
50 Battery

POS	Article no.	Description	Quantity	Unit	Remark	Foot note text
1	6.654-124.0	Battery 6V180AH	4.000	ST	180Ah / "Exide"	
2	6.654-130.0	Battery kit 6V180AH	1.000	ZSA	180Ah / "Exide"	
3	6.649-880.0	Cable battery 25 mm ² . 320mm	3.000	ST	L=320mm	
3	6.649-879.0	Cable battery 25 mm ² . 160 mm	2.000	ST	L=160mm	
4	6.644-348.0	Nut with flange	1.000	ST		
5	6.643-948.0	Pole binder single	1.000	ST		
6	6.644-360.0	Fuse 125A, 58VDC	1.000	ST		
7	6.368-187.0	Protective plug	1.000	ST		
8	4.035-181.0	Drive battery maintenance free replaceme	4.000	ST	170Ah / "Hoppecke"	MAINTENANCE-FREE
10	4.410-000.0	Battery terminals set only for replaceme	1.000	ST		ONLY FOR BATTERIES "HOPPECKE"
11	5.394-852.0	Covering cap battery terminal	1.000	ST		
12	4.822-538.0	Cable harness Pack	1.000	ST		



5 Pole binder single (6.643-948.0)

POS	Article no.	Description	Quantity	Unit
10	6.644-348.0	Nut with flange	1.000	ST
20	6.644-360.0	Fuse 125A, 58VDC	1.000	ST
30	6.644-530.0	Battery clamp	1.000	ST

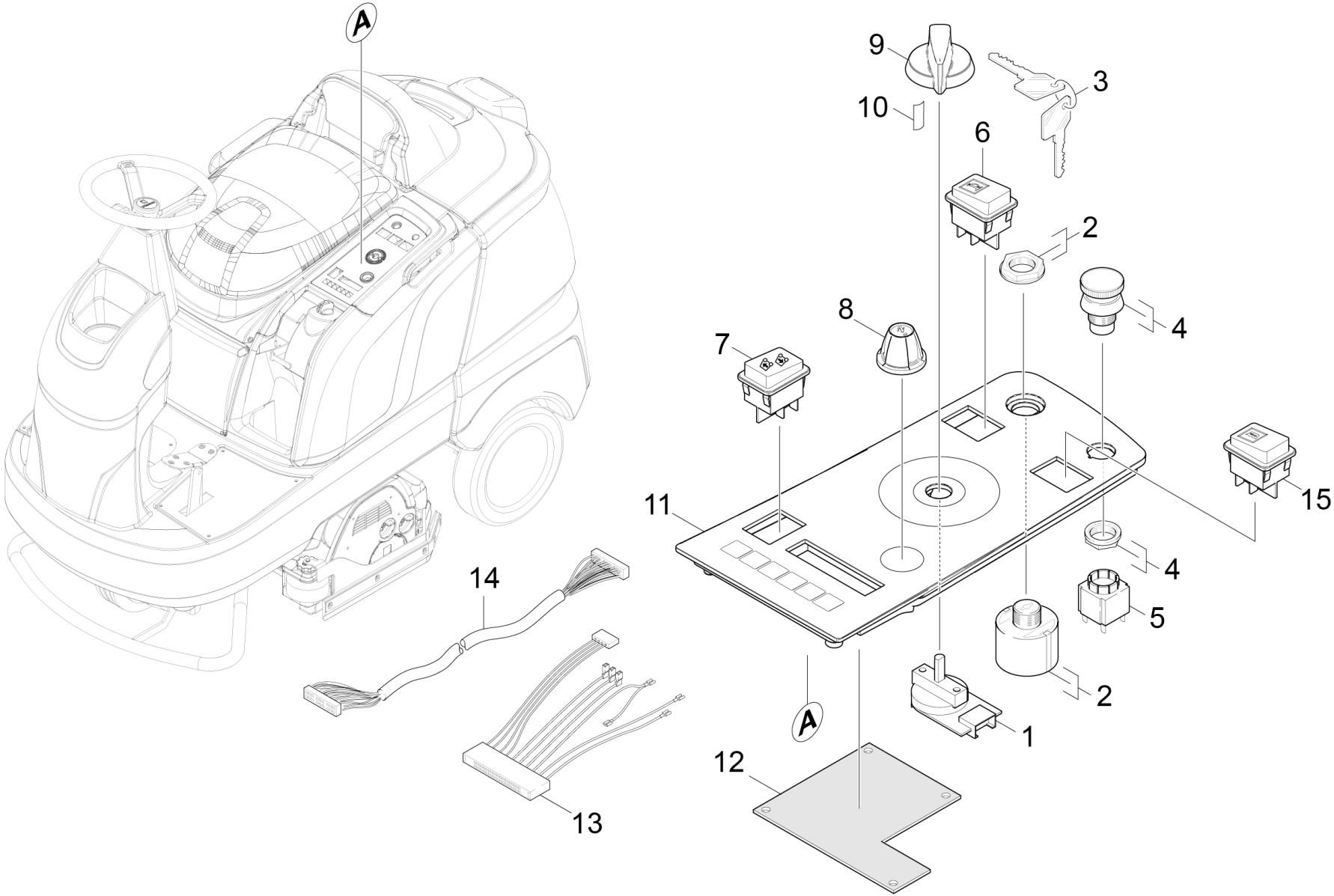


60 Suction beam retraction

POS	Article no.	Description	Quantity	Unit
1	5.009-502.0	Plate suction bar	1.000	ST
2	7.312-019.0	Washer 16-200HV-A3E ISO7090	1.000	ST
3	7.316-352.0	Cotter 4x36 -St-A2E ISO 1234	1.000	ST
4	5.107-202.0	Bar	1.000	ST
5	6.343-132.0	Lock washer 8	2.000	ST
6	5.058-987.0	Rocker suction bar	1.000	ST
7	7.303-139.0	Saucer-head screw M6x20 -A2 DIN 603	2.000	ST
8	6.310-180.0	Wing nut M6	2.000	ST
9	7.312-292.0	Washer 6 -A2 ISO 7093-1	2.000	ST
10	6.431-277.3	Bowden wire suction bar	1.000	ST
11	7.311-004.0	Hexagon nut M8 -8-A3E ISO 4032	2.000	ST
12	7.306-242.0	Cylinder head screw M8x75-8.8-A2E ISO 4	1.000	ST
13	6.368-295.0	Protecting cap	1.000	ST

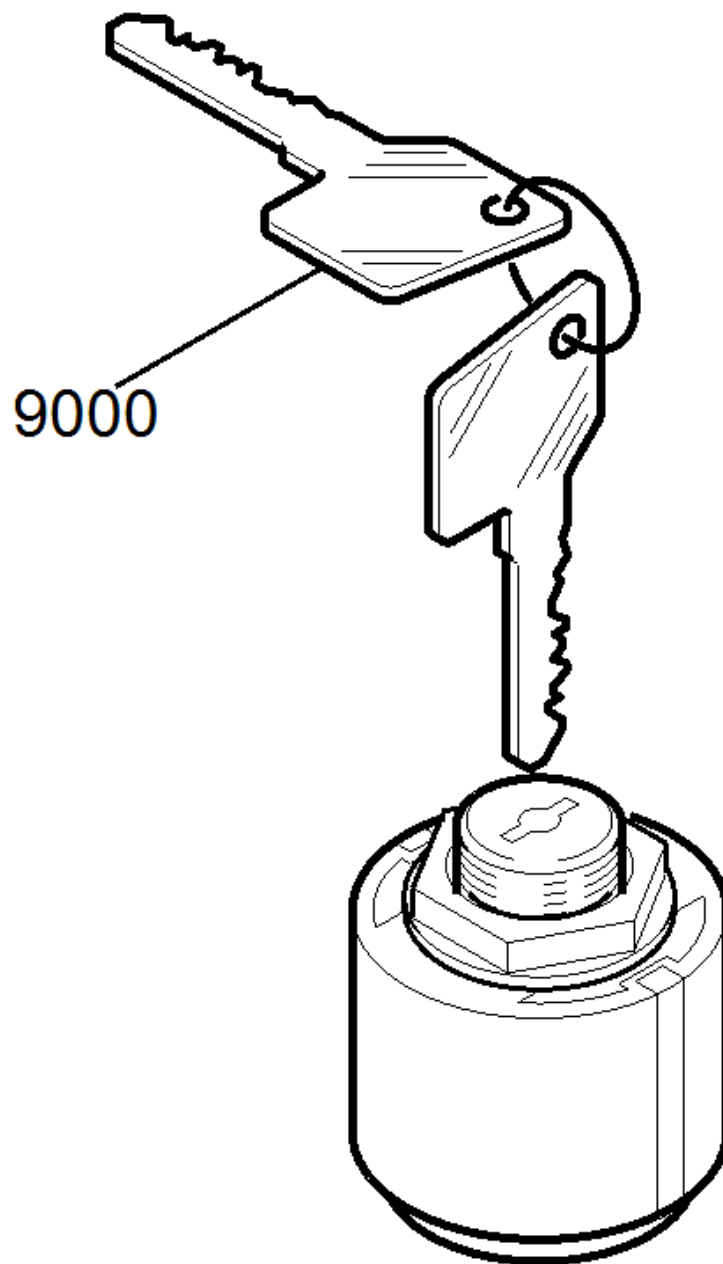
10 Bowden wire suction bar (6.431-277.3)

POS	Article no.	Description	Quantity	Unit
1	6.330-253.0	Extension spring	1.000	ST



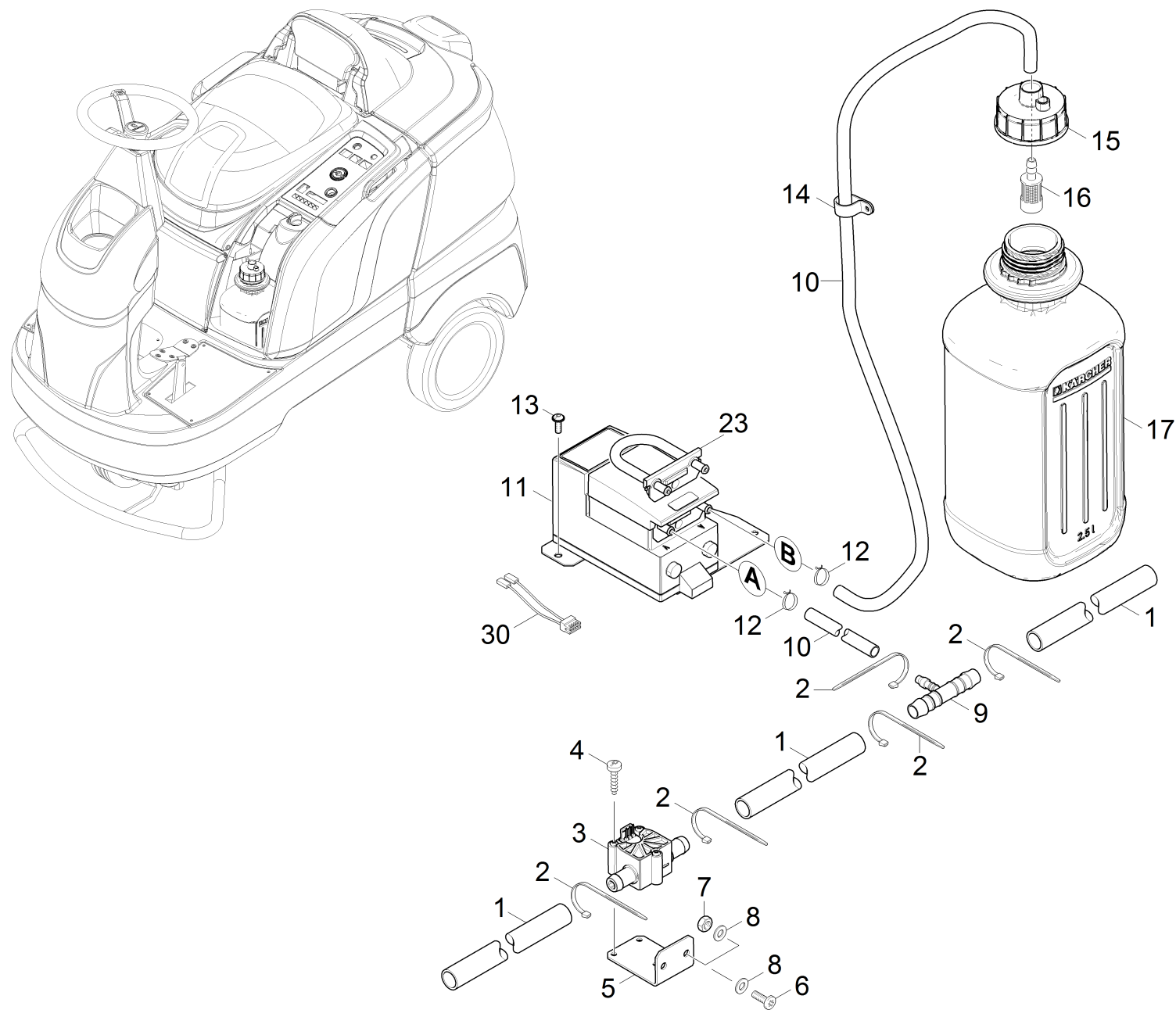
70 Control console

POS	Article no.	Description	Quantity	Unit
1	2.630-001.0	Switch program selection	1.000	ST
2	6.630-106.0	Key switch	1.000	ST
3	6.600-210.0	Key only for replacement	1.000	ST
4	6.600-344.0	Pushbutton emergency stop	1.000	ST
5	6.600-114.0	Switch	1.000	ST
6	6.632-475.0	Pushbutton two-pole hooter	1.000	ST
7	6.632-482.0	Switch two-pole direction of travelling	1.000	ST
8	5.321-750.0	Handhold info panel	1.000	ST
9	5.321-738.0	Handhold operational concept	1.000	ST
10	6.313-014.0	Spring element	1.000	ST
11	4.682-108.0	Control panel with foil adv	1.000	ST
12	6.682-916.0	Circuit board adv.	1.000	ST
13	4.822-539.0	Cable harness control panel	1.000	ST
14	6.649-579.0	Cable	1.000	ST
15	6.632-483.0	Switch chemistry	1.000	ST



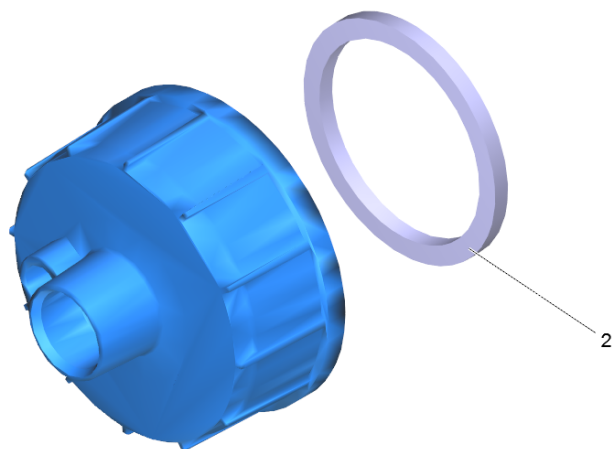
2 Key switch (6.630-106.0)

POS	Article no.	Description	Quantity	Unit
9000	6.600-210.0	Key only for replacement	1.000	ST



80 RM metering

POS	Article no.	Description	Quantity	Unit	Foot note text
1	6.388-248.0	Hose DN12,5	1.000	M	TO ORDER AS CUT GOODS
2	6.641-474.0	Cable tape 8-210	5.000	ST	
3	6.429-038.3	Flowmetre	1.000	ST	
4	7.303-106.0	Screw 4x12 -10.9-R2R (IN6RD)	3.000	ST	
5	5.009-677.0	Retaining plate flowmetre	1.000	ST	
6	7.306-182.0	Pan head screw M5x16 -A2-70 ISO 14583	2.000	ST	
7	7.311-002.0	Hexagon nut M5 -8-A2E ISO 4032	2.000	ST	
8	7.312-002.0	Washer 5-200HV-A3E ISO 7090	4.000	ST	
9	6.395-188.0	T-Piece 12-6-12	1.000	ST	
10	6.391-341.0	Hose chemistry DN 6	1.000	M	TO ORDER AS CUT GOODS
11	6.762-208.3	Dosing pump B 90 R	1.000	ST	
12	6.389-768.0	Hose clip	2.000	ST	
13	7.303-107.0	Screw 5x16 -10.9-P2R (K-In6Rd)	4.000	ST	
14	6.641-460.0	Cable clamp	1.000	ST	
15	5.064-415.0	Cover cleaning agents	1.000	ST	YELLOW
15	4.060-866.0	Cover cleaning agents complete	1.000	ST	GREY
16	5.731-652.0	Filter with weight	1.000	ST	
17	6.394-491.0	Bottle PE 2,5 L	1.000	ZST	
23	5.443-556.0	Hose dosing pump only for replacement	1.000	ST	
30	4.822-560.0	Cable Dose B 90 R	1.000	ST	



15 Cover cleaning agents complete (4.060-866.0)

POS	Article no.	Description	Quantity	Unit
2	6.363-304.0	Seal	1.000	ST
