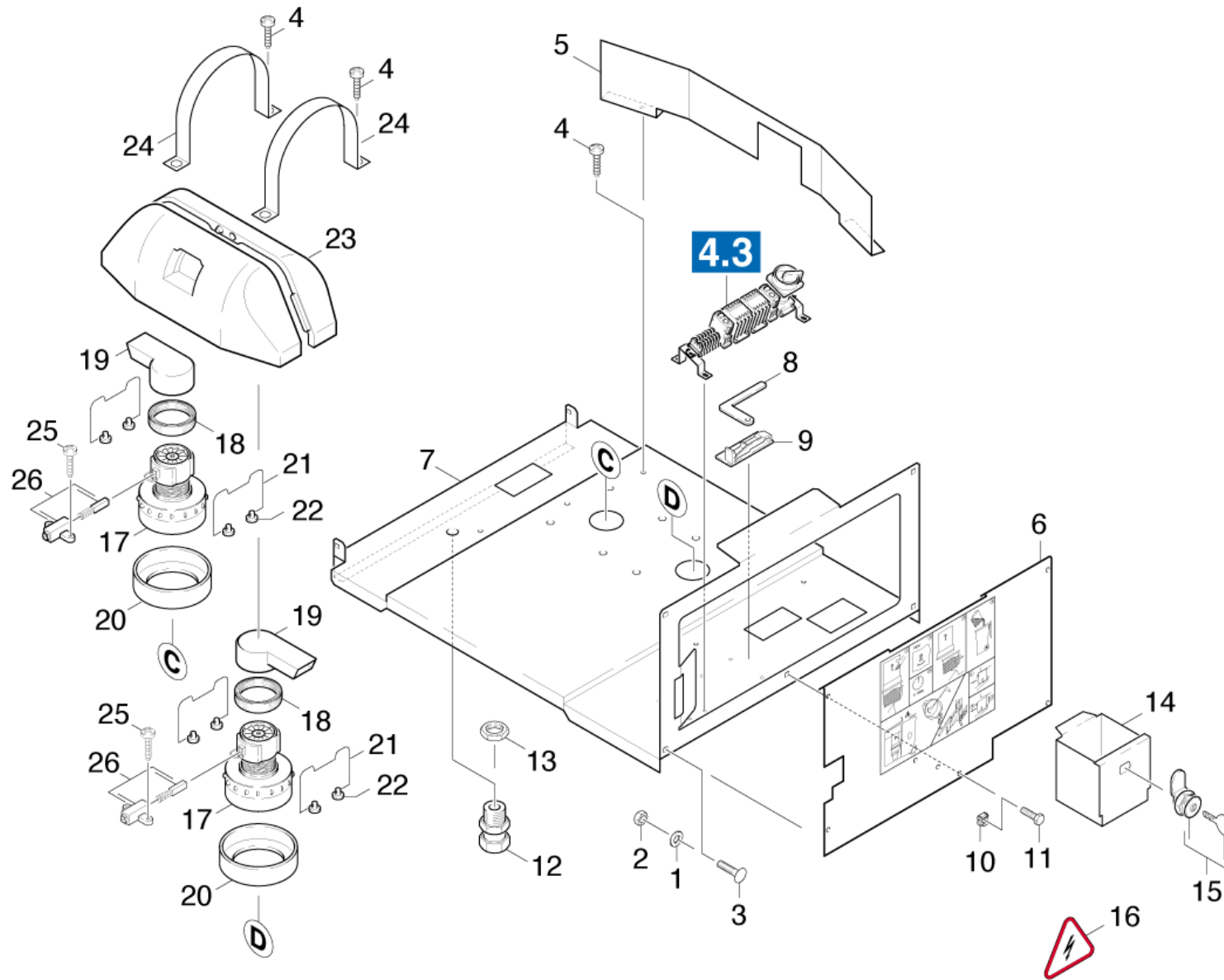


42 Base plate turbine

Professional \ Vacuum cleaner \ SB-Sauger \ SB-Sauger +SL-BP \ Spare parts list MONO SB-SAUGER \ Base plate turbine \ Base plate turbine



42 Base plate turbine

Professional \ Vacuum cleaner \ SB-Sauger \ SB-Sauger +SL-BP \ Spare parts list MONO SB-SAUGER \ Base plate turbine \ Base plate turbine



POS	Article no.	Description	Quantity	Unit
19	5.692-016.0	Air circulation	2.000	ST
17	4.610-061.0	Blower complete	2.000	ST
	Item text1: /1.263-350.0			
9	6.647-906.0	Bracket ribbon cable twentysix-pole	1.000	ST
12	6.641-356.0	Cable gland PG16	1.000	ST
10	6.310-059.0	Cage nut M 5	1.000	ST
26	6.610-212.0	Carbon brush set only for replacement F.	2.000	ST
2	7.311-067.0	Hexagon nut M 6-A2-70 ISO 4032	2.000	ST
16	5.386-887.0	Label Blitzpfeil	1.000	ST
15	6.375-274.0	Lock	1.000	ST
15	6.375-885.0	Lock coin box DUO Typ A	1.000	ST
15	6.375-886.0	Lock coin box DUO Typ B	1.000	ST
15	6.375-887.0	Lock coin box DUO Typ C	1.000	ST
15	6.375-888.0	Lock coin box DUO Typ D	1.000	ST
15	6.375-889.0	Lock coin box DUO Typ E	1.000	ST
13	6.641-370.0	Locknut PG16-PA DIN 46320	1.000	ST
23	5.031-410.0	Moulded part	2.000	ST
22	5.108-122.0	Pin	8.000	ST
18	6.273-060.0	Profile gasket D78	2.000	ST
21	5.034-368.0	Retaining bracket	4.000	ST
24	5.034-383.0	Retaining bracket	4.000	ST
20	5.379-007.0	Rubber ring	2.000	ST
3	7.303-139.0	Saucer-head screw M6x20 -A2 DIN 603	2.000	ST
11	7.306-077.0	Screw M5x16 -8.8-R2R (In6Rd)	8.000	ST
14	5.048-682.0	Sheet metal component	1.000	ST
7	5.049-147.0	Sheet metal component bracket 230 V MONO	1.000	ST
5	5.048-792.0	Sheet metal component self-service vacuu	2.000	ST
25	7.303-063.0	Sheet metal screw ST3,5X16-ST-R2R (IN6R	8.000	ST
4	7.303-075.0	Sheet metal screw ST4,8X 9,5-ST-A2R (IN	8.000	ST
6	5.007-056.0	Stop electric self-service vacuum cleane	1.000	ST
8	5.860-003.0	Tool self-service vacuum cleaner	1.000	ST
17	4.610-026.0	Vacuum motor	2.000	ST
1	7.312-026.0	Washer 6 -A2 ISO 7090	12.000	ST