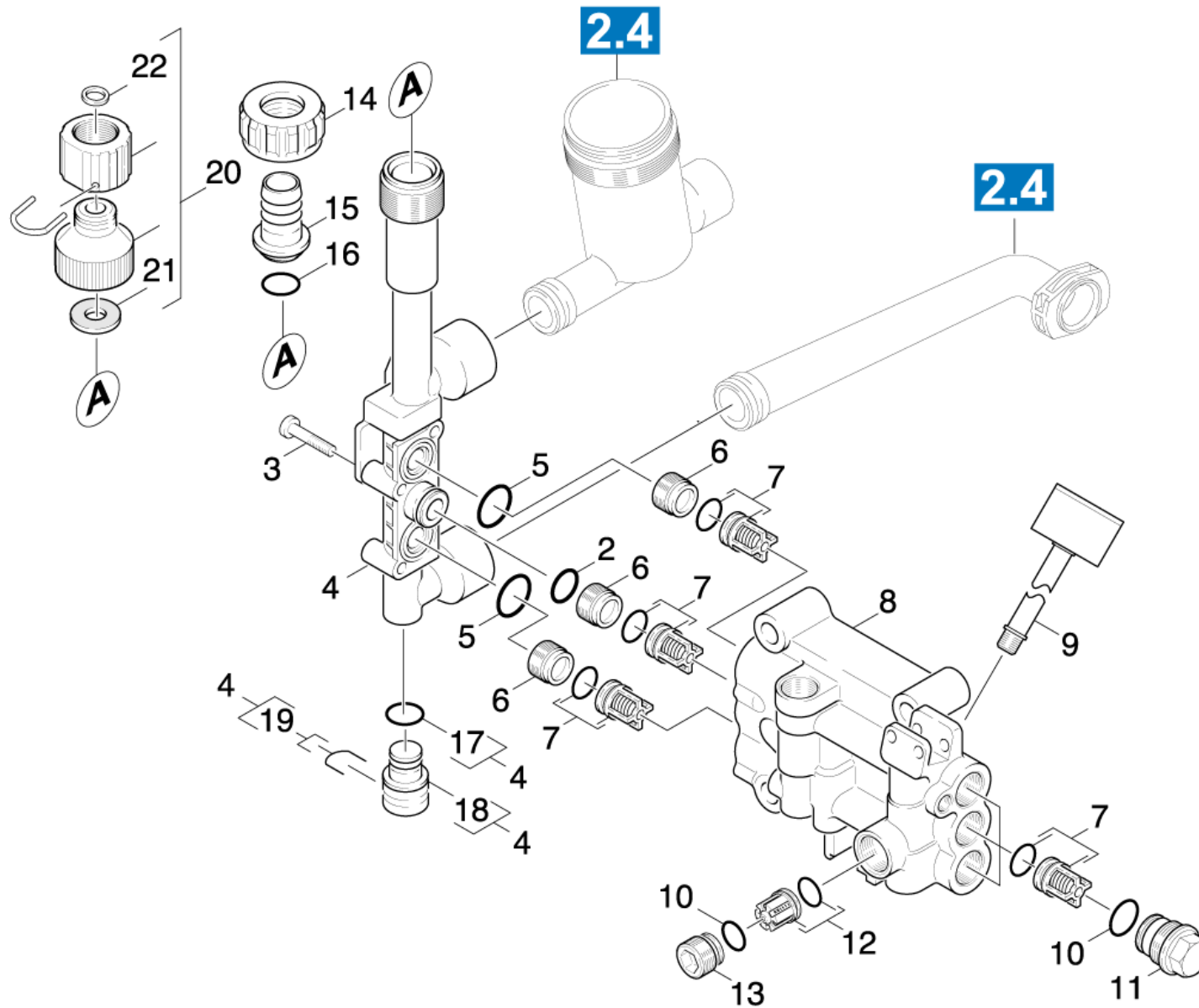


# 24 Valves

Professional \ High pressure cleaner cold water \ Electric motor \ HD 10/25 -4S \ Spare parts list HD 10/25 S \ Pump set \ Valves



## 24 Valves

Professional \ High pressure cleaner cold water \ Electric motor \ HD 10/25 -4S \ Spare parts list HD 10/25 S \ Pump set \ Valves



POS	Article no.	Description	Quantity	Unit
2	6.362-174.0	O-Ring seal 16,0 X 2,0-NBR 70	1.000	ST
3	7.306-118.0	Screw M 6x35 -8.8-R3R (In6Rd)	4.000	ST
4	4.427-216.0	Manifold complete	1.000	ST
5	6.362-469.0	O-Ring seal 21,95X 1,78	2.000	ST
6	5.583-177.0	Valve screw M20x1	3.000	ST
7	2.884-512.0	Valve (3 Stueck)	1.000	ST
8	2.885-130.0	Cylinder head -nur fuer Ersatz-	1.000	ST
9	4.423-027.0	Pressure gauge 0-30 MPa - nur fuer Ersat	1.000	ST
10	6.362-481.0	O-Ring seal 14,0 x 2,0 NBR 80	4.000	ST
11	5.583-146.3	Valve screw	3.000	ST
12	4.580-594.0	Valve complete	1.000	ST
13	5.411-166.0	CLOSING SCREW	1.000	ST
14	5.310-076.0	Nut	1.000	ST
	<b>Item text1:</b> / 1.286-108.0 / -109.0 / -117.0			
15	5.443-291.0	Hose stem	1.000	ST
	<b>Item text1:</b> / 1.286-108.0 / -109.0 / -117.0			
16	6.362-161.0	O-Ring seal 19,3 X 2,4	1.000	ST
	<b>Item text1:</b> / 1.286-108.0 / -109.0 / -117.0			
17	6.362-169.0	O-Ring seal 12,0 X 2,0	1.000	ST
18	5.132-168.0	DRAIN PLUG	1.000	ST
19	5.037-101.0	Hook	1.000	ST
20	4.401-073.3	Screw connector part USA-GARTENSCHL./G 1	1.000	ST
	<b>Item text1:</b> / 1.286-105.0 / -112.0 / -113.0			
21	6.362-124.0	Joint ring	1.000	ST
	<b>Item text1:</b> / 1.286-105.0 / -112.0 / -113.0			
22	5.364-129.0	Flat gasket	1.000	ST
	<b>Item text1:</b> / 1.286-105.0 / -112.0 / -113.0			