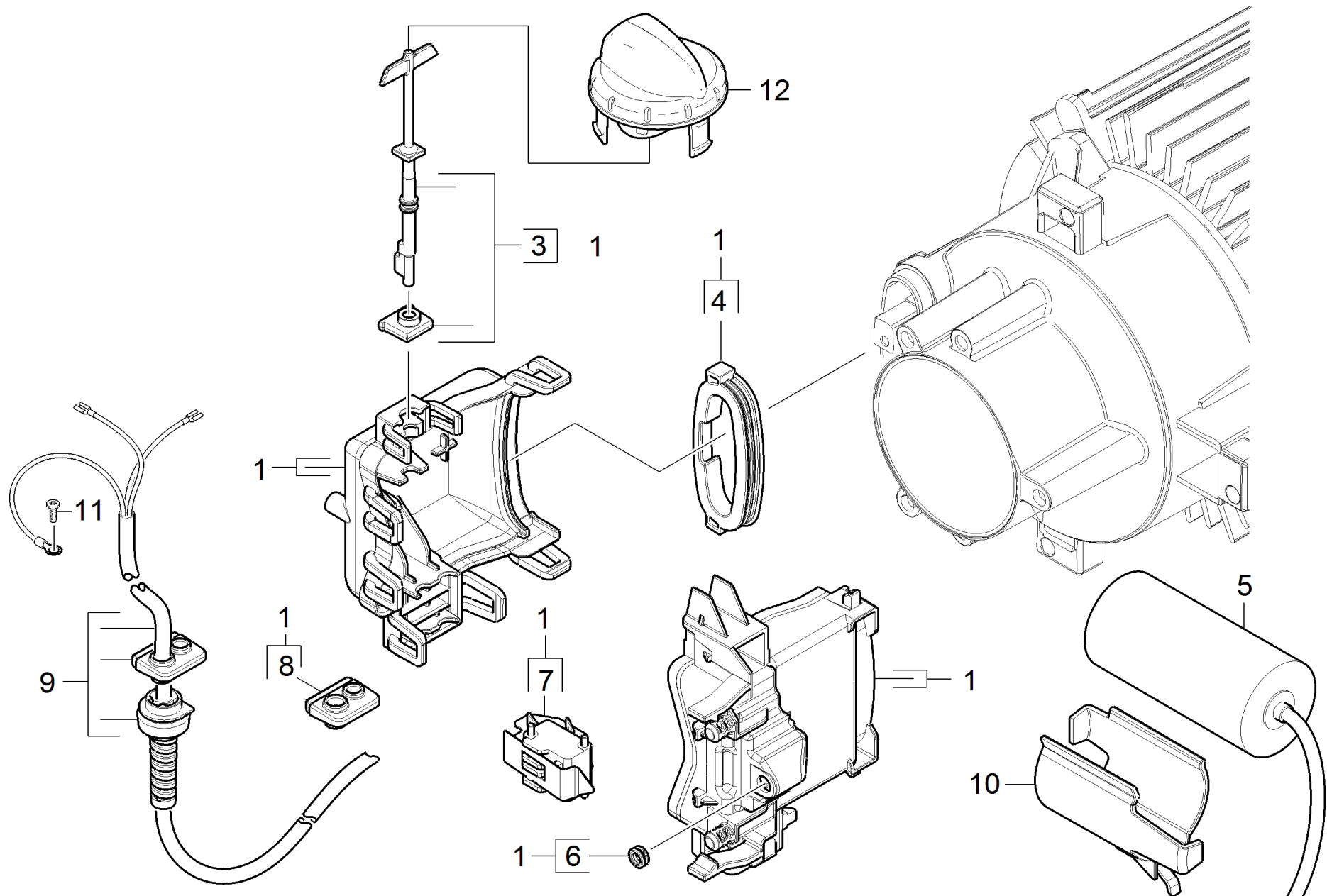


50 Electric box

Home and Garden \ High pressure cleaner cold water \ Electric motor \ K 7 \ K 7 Compact (2,5kW) *EU \ Spare parts list K7 Compact * EU (2,5kW) \ Electric box



50 Electric box

Home and Garden \ High pressure cleaner cold water \ Electric motor \ K 7 \ K 7 Compact (2,5kW) *EU \ Spare parts list K7 Compact * EU (2,5kW) \ Electric box



POS	Article no.	Description	Quantity	Unit
9	6.649-740.0	Cable with plug *EU	1.000	ST
5	6.661-301.0	Capacitor with cable 25 µF (K6)	1.000	ST
12	5.322-039.0	Handhold switch Modul Range	1.000	ST
10	5.322-088.0	Holder capacitor	1.000	ST
7	6.961-000.0	Micro switch	1.000	ST
11	7.303-031.0	Screw M4x10 -St-P2R (In6Rd)	1.000	ST
8	5.363-744.0	Seal cable	1.000	ST
6	5.363-749.0	Seal control piston	1.000	ST
4	5.363-761.0	Seal label	1.000	ST
3	2.885-190.0	Selector shaft spare parts set	1.000	ST
1	2.885-189.0	Spare parts set electric box	1.000	ST