

## **Spare parts list**

(1.783-220.0) BR 30/4 C \*EU

## Table of contents

---

BR 30/4 C *EU (1.783-220.0)	3
4 Spare parts list BR 30/4 C *EU (5.972-002.0)	4
10 Housing	5
11 Covering cap housing replacement (4.033-162.0)	8
20 Tank	10
8 Fuel tank filler cap replacement (4.033-749.0)	12
10 Float replacement (4.033-750.0)	14
30 Turbine	16
40 Brush-head	18
12 Roller brush red complete BR 30/4 C (4.762-005.0)	21
12 Roller brush complete white (4.762-452.0)	23
12 Roll micro-fibre complete (4.762-453.0)	25
12 Roller brush orange complete 300 (4.762-484.0)	27
50 Add-on kit carpet cleaning	29
2 Roller brush blue complete 300 (4.762-499.0)	31

BR 30/4 C \*EU (1.783-220.0)

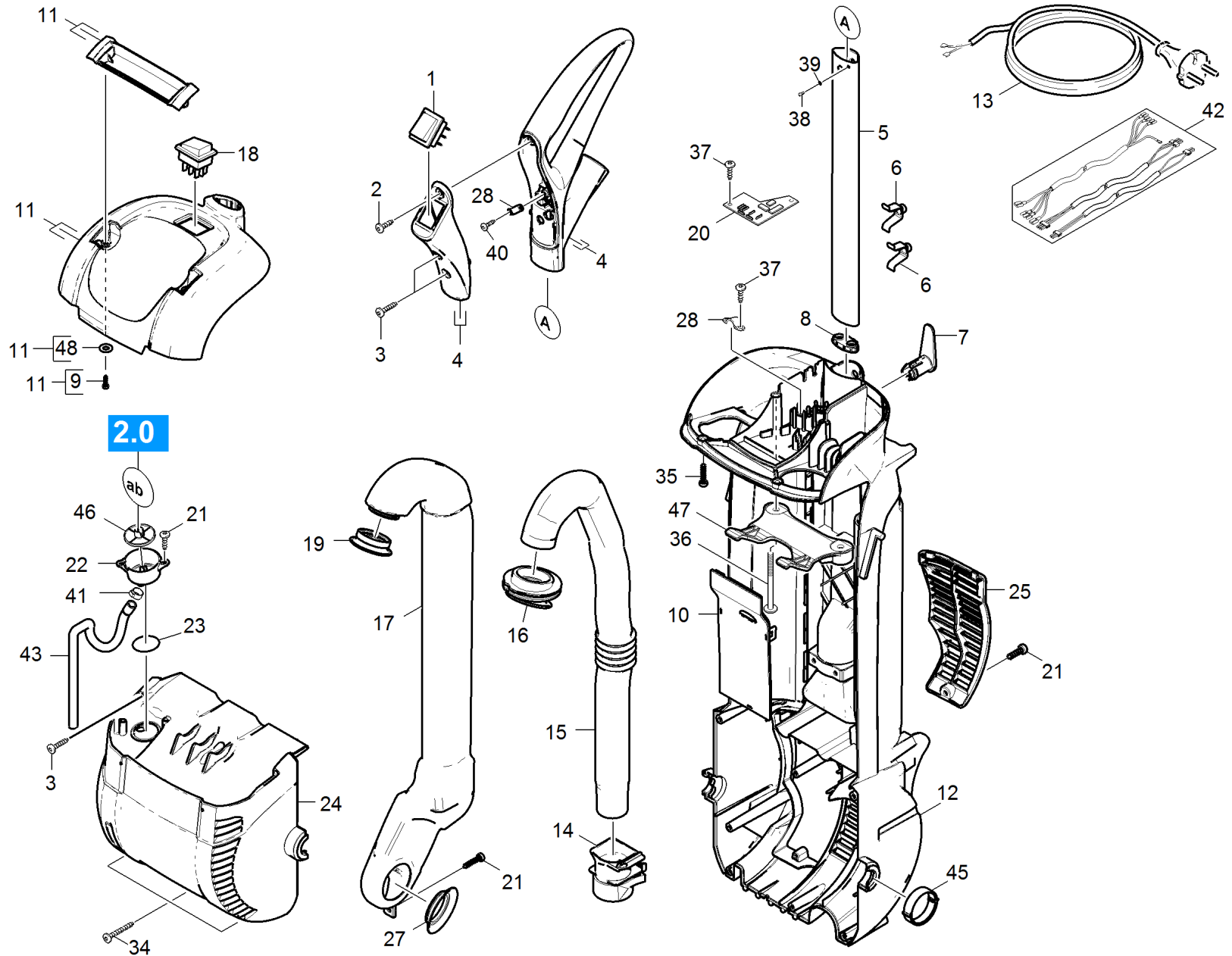
---

POS	Article no.	Description	Quantity	Unit
4	5.972-002.0	Spare parts list BR 30/4 C *EU	1.000	ST

#### 4 Spare parts list BR 30/4 C \*EU (5.972-002.0)

---

<b>POS</b>	<b>Description</b>	<b>Quantity</b>	<b>Unit</b>
50	Add-on kit carpet cleaning	1.000	ST
40	Brush-head	1.000	ST
10	Housing	1.000	ST
20	Tank	1.000	ST
30	Turbine	1.000	ST



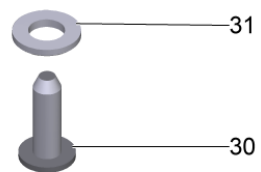
## 10 Housing

POS	Article no.	Description	Quantity	Unit	Remark	Foot note text
45	4.250-079.0	BEARING SHELL kpl.	2.000	ST		
42	4.822-540.0	Cable harness BR 30/4 C	1.000	ST		
7	5.044-661.0	Catch for cable yellow	1.000	ST		
28	6.903-241.0	Clamp clip	3.000	ST		
10	5.033-175.0	Covering cap cable	1.000	ST		
11	4.033-162.0	Covering cap housing replacement	1.000	ST		
20	6.682-974.0	Distribution circuit board BR 30/4 C	1.000	ST		
25	5.033-174.0	Flap ventilation	1.000	ST		
43	5.033-952.0	Form hose fresh water BR 30/4	1.000	ST		
22	5.033-190.0	Funnel valve	1.000	ST		
47	5.033-265.0	Guide cap of a tank	1.000	ST		
4	4.033-170.0	Handhold complete replacement	1.000	ST		
5	5.033-228.0	Handle Alu	1.000	ST		
41	6.388-701.0	Hose clip with insert 13,3	1.000	ST		
12	5.033-172.0	Housing	1.000	ST		
24	5.033-173.0	Motor housing	1.000	ST		
23	6.362-604.0	O-Ring seal 27,0 X 3,0	1.000	ST		
8	5.033-196.0	Plug handle	1.000	ST		
13	6.649-514.0	Power cable 10m *EU	1.000	ST	*EU	
40	7.303-102.0	Screw 3,5x12 -A2-70-bk (In6Rd)	2.000	ST		
37	7.303-095.0	Screw 4x 12-ST-10.9-R2R (IN6RD)	4.000	ST		
9	7.303-107.0	Screw 5x16 -10.9-P2R (K-In6Rd)	2.000	ST		
21	7.303-104.0	Screw 5x16 -A2-70 (IN6RD)	5.000	ST		
2	7.303-212.0	Screw 5x20 -A2-70 (In6Rd)	1.000	ST		
35	7.303-086.0	Screw 5x30 -10.9-R2R (K-In6Rd)	2.000	ST		
34	7.303-268.0	Screw 5x30 -A2-70 (In6Rd)	3.000	ST		
3	7.303-118.0	Screw 5x40 -A2-70 (IN6Rd)	5.000	ST		
36	6.303-100.0	Screw 5x65 (Kombi-IN6RD)	2.000	ST		
38	7.303-030.0	Screw M4x8 -St-P2R (In6Rd)	1.000	ST		
16	5.363-688.0	Sealing lip SWT-SL-SB	1.000	ST		
19	5.363-687.0	Sealing lip SWT-SL-T	1.000	ST		
27	5.363-689.0	Sealing lip vac motor SL	1.000	ST		
39	7.312-230.0	Serrated lock washer A4,3-FSt-A3E	1.000	ST		

## 10 Housing

---

POS	Article no.	Description	Quantity	Unit	Remark	Foot note text
		DIN67				
14	5.407-115.0	Sleeve suction tube	1.000	ST		YELLOW
14	5.407-135.0	Sleeve suction tube qusty grey	1.000	ST		GREY
6	5.033-195.0	Spring handle	2.000	ST		
46	5.033-905.0	Strainer fresh water	1.000	ST		
15	5.033-179.0	Suction pipe tank	1.000	ST		
17	5.033-178.0	Suction pipe turbine	1.000	ST		
18	6.630-385.0	Switch	1.000	ST		
1	6.632-493.0	Switch two-pole water	1.000	ST		
48	7.312-026.0	Washer 6 -A2 ISO 7089	2.000	ST		

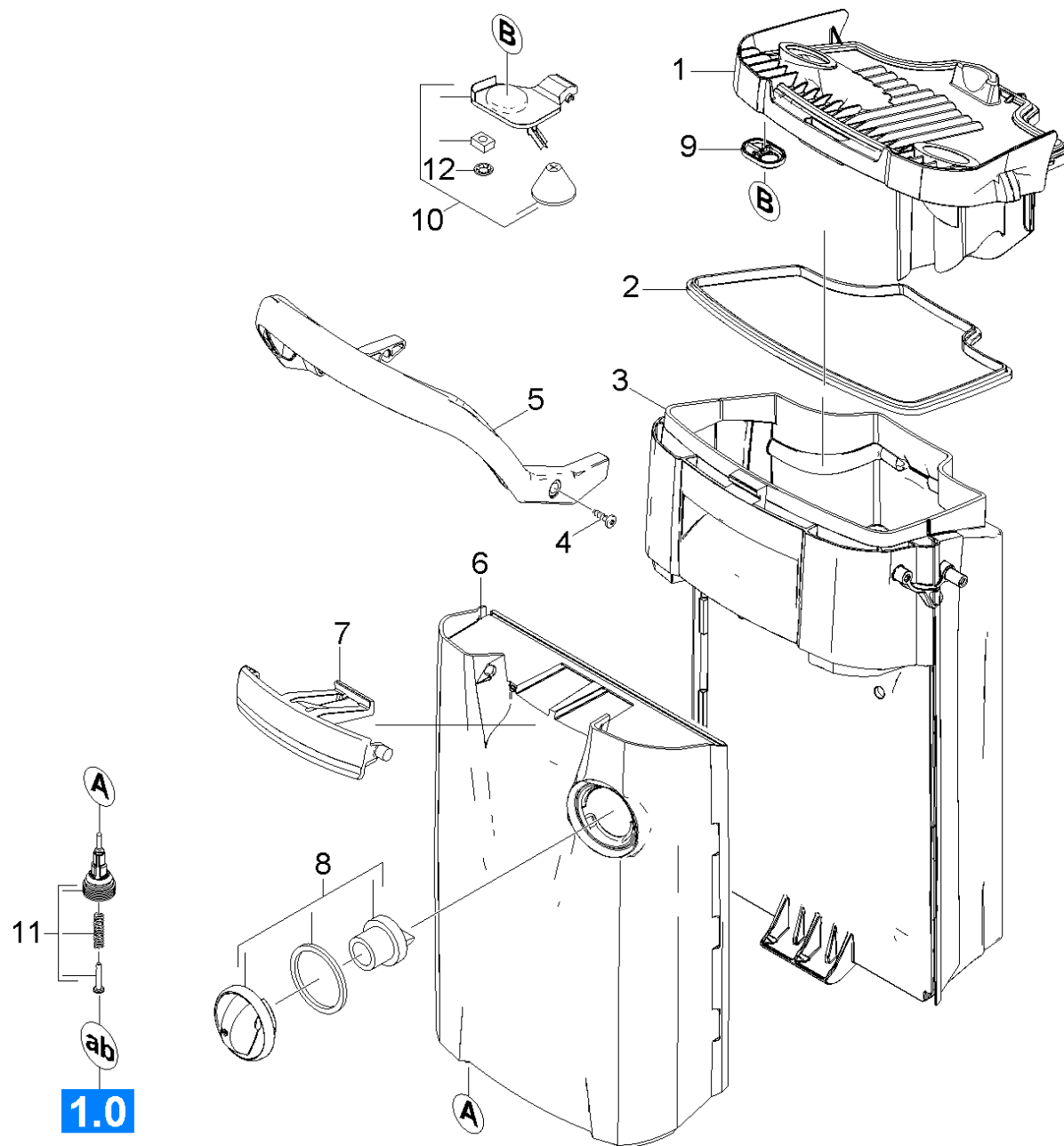




## 11 Covering cap housing replacement (4.033-162.0)

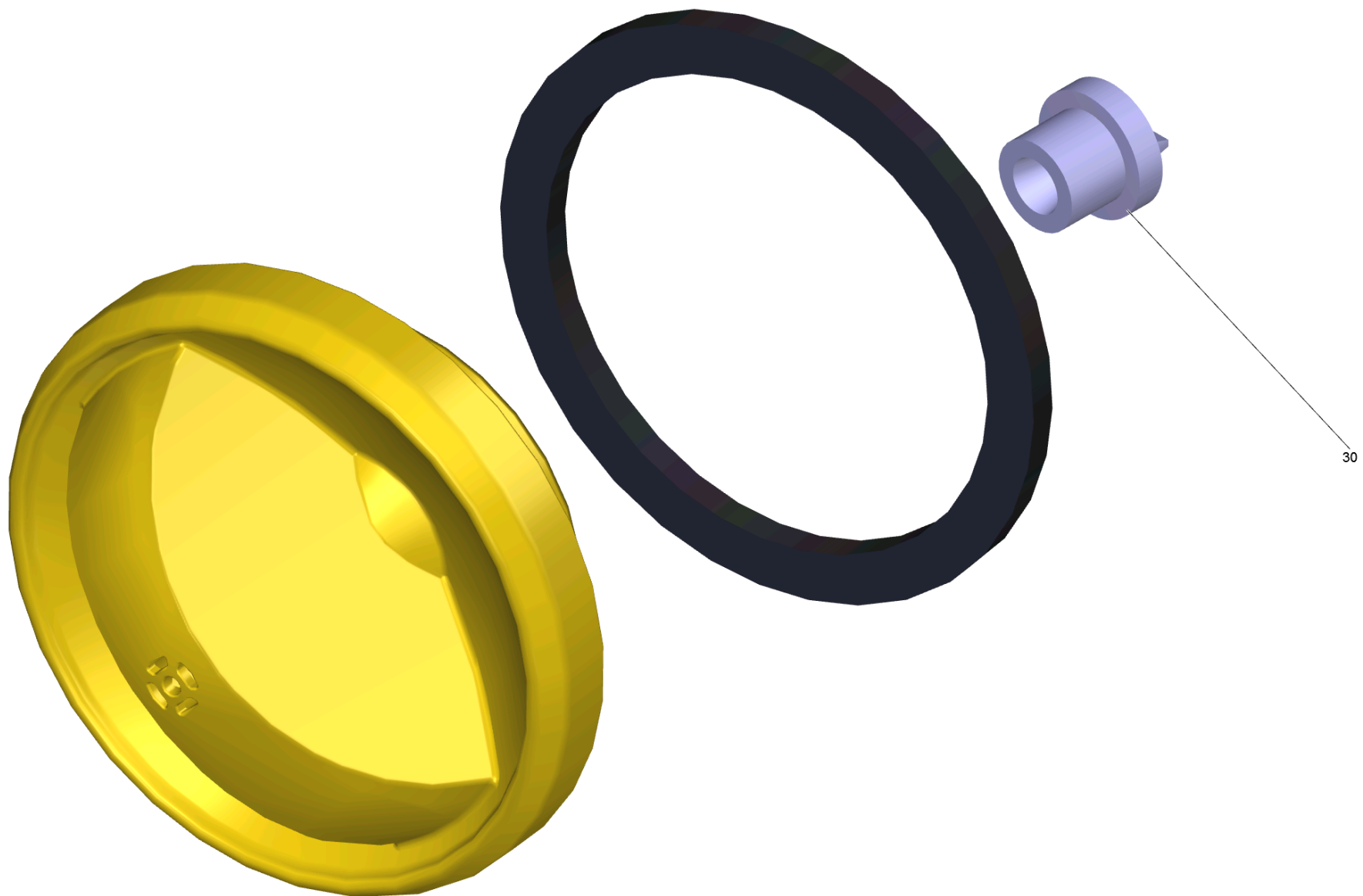
---

<b>POS</b>	<b>Article no.</b>	<b>Description</b>	<b>Quantity</b>	<b>Unit</b>
30	7.303-107.0	Screw 5x16 -10.9-P2R (K-In6Rd)	2.000	ST
31	7.312-026.0	Washer 6 -A2 ISO 7089	2.000	ST



## 20 Tank

POS	Article no.	Description	Quantity	Unit	Foot note text
5	5.033-183.0	Carrier handle tank black	1.000	ST	BLACK
5	5.033-598.0	Carrier handle tank yellow	1.000	ST	YELLOW
1	5.033-181.0	Cover waste water tank	1.000	ST	
10	4.033-750.0	Float replacement	1.000	ST	
6	5.033-754.0	Fresh water tank	1.000	ST	
8	4.033-749.0	Fuel tank filler cap replacement	1.000	ST	
7	5.033-748.0	Notch fresh water tank	1.000	ST	
12	6.343-149.0	Quick-fastener	1.000	ST	
4	7.303-107.0	Screw 5x16 -10.9-P2R (K-In6Rd)	2.000	ST	
2	5.363-711.0	Seal cover tank SW	1.000	ST	
9	5.363-702.0	Seal float	1.000	ST	
11	4.190-029.0	Valve fresh water tank BR 30/4	1.000	ST	
3	5.033-747.0	Waste water tank	1.000	ST	

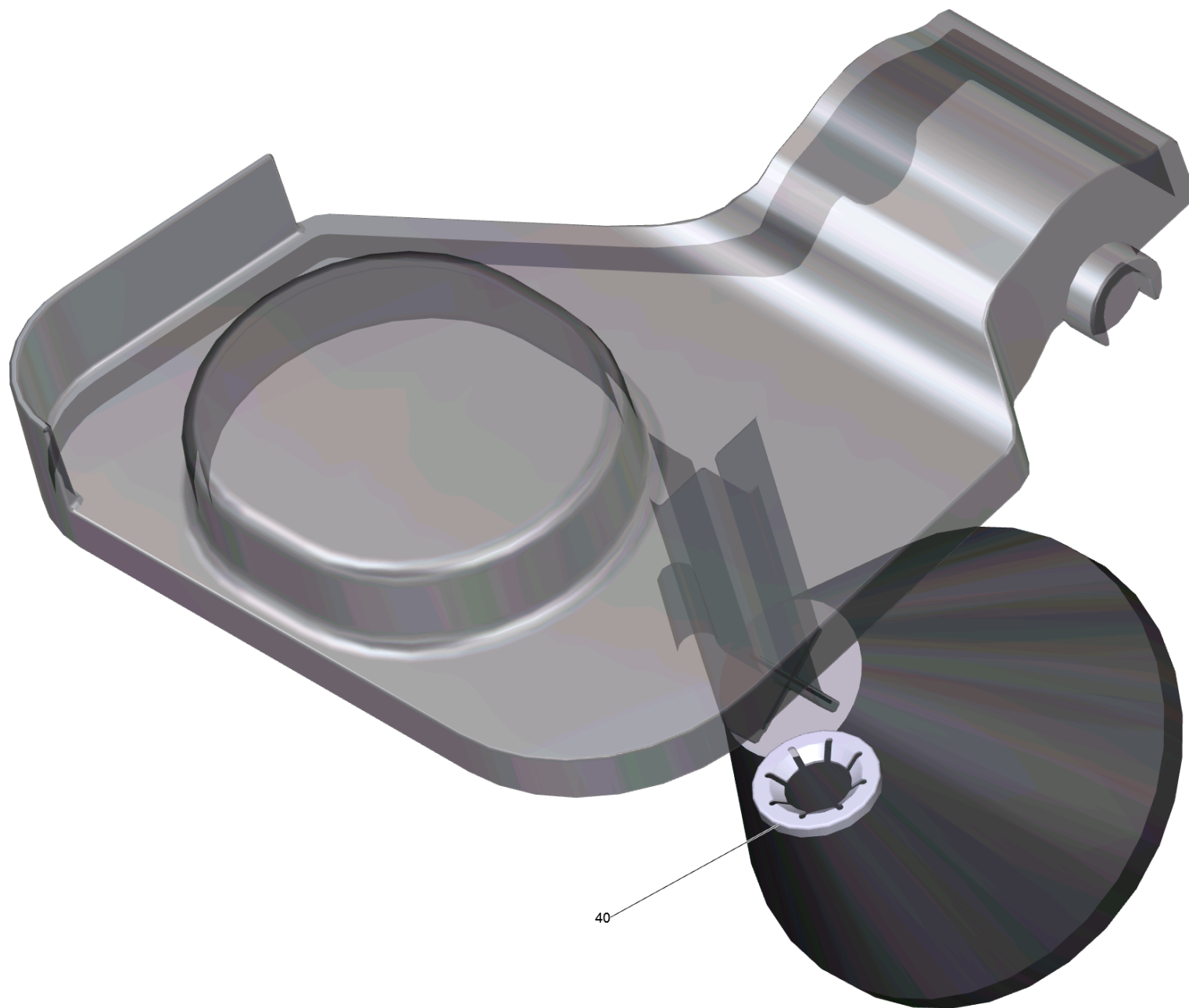


8 Fuel tank filler cap replacement (4.033-749.0)

---

<b>POS</b>	<b>Article no.</b>	<b>Description</b>	<b>Quantity</b>	<b>Unit</b>
30	6.414-896.0	Ventilating valve	1.000	ST

---



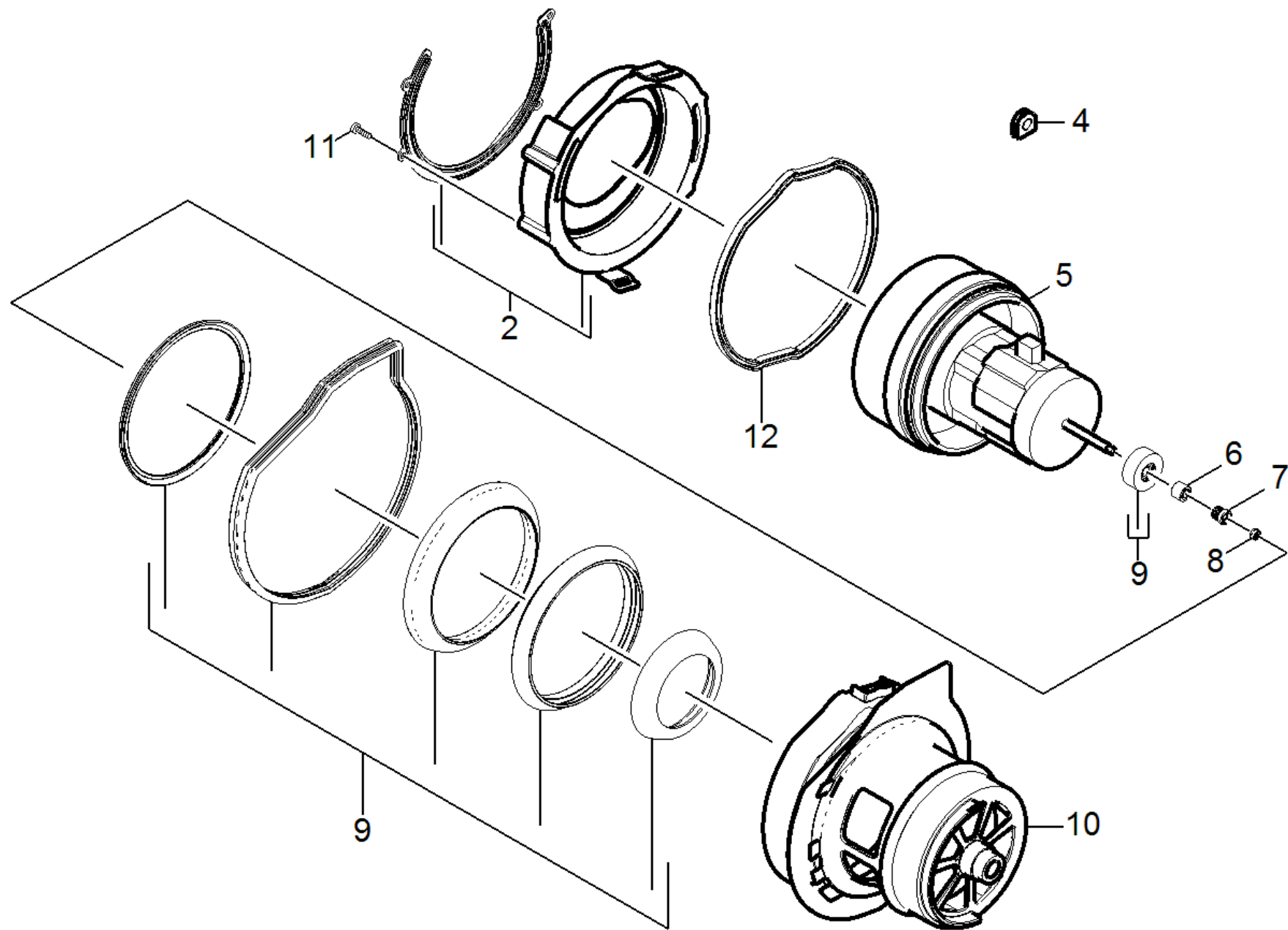
40

10 Float replacement (4.033-750.0)

---

<b>POS</b>	<b>Article no.</b>	<b>Description</b>	<b>Quantity</b>	<b>Unit</b>
40	6.343-149.0	Quick-fastener	1.000	ST

---

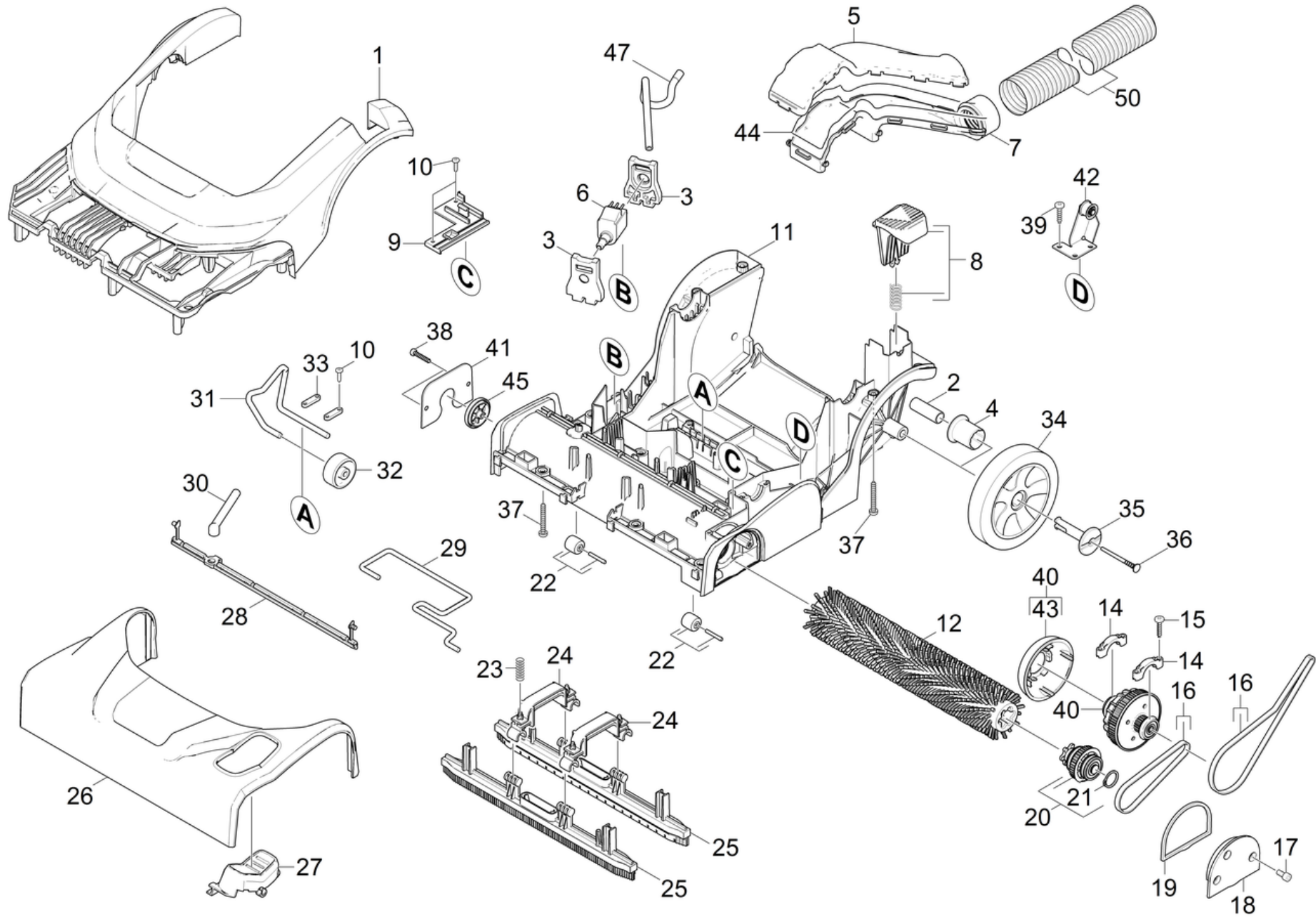




## 30 Turbine

---

<b>POS</b>	<b>Article no.</b>	<b>Description</b>	<b>Quantity</b>	<b>Unit</b>
4	6.648-064.0	Cable bushing	1.000	ST
2	4.033-176.0	Cover enclosure replacement	1.000	ST
10	5.033-176.0	Enclosure motor	1.000	ST
6	5.033-194.0	Flanged pulley pinion	1.000	ST
8	7.311-431.0	Hexagon nut M 5-1.4305 DIN 985	1.000	ST
7	5.033-263.0	Motor pinion z13 M3	1.000	ST
11	7.303-104.0	Screw 5x16 -A2-70 (IN6RD)	4.000	ST
12	5.363-725.0	Seal enclosure	1.000	ST
9	4.363-690.0	Set of gaskets	1.000	ST
5	4.490-231.0	Turbine set EU	1.000	ST

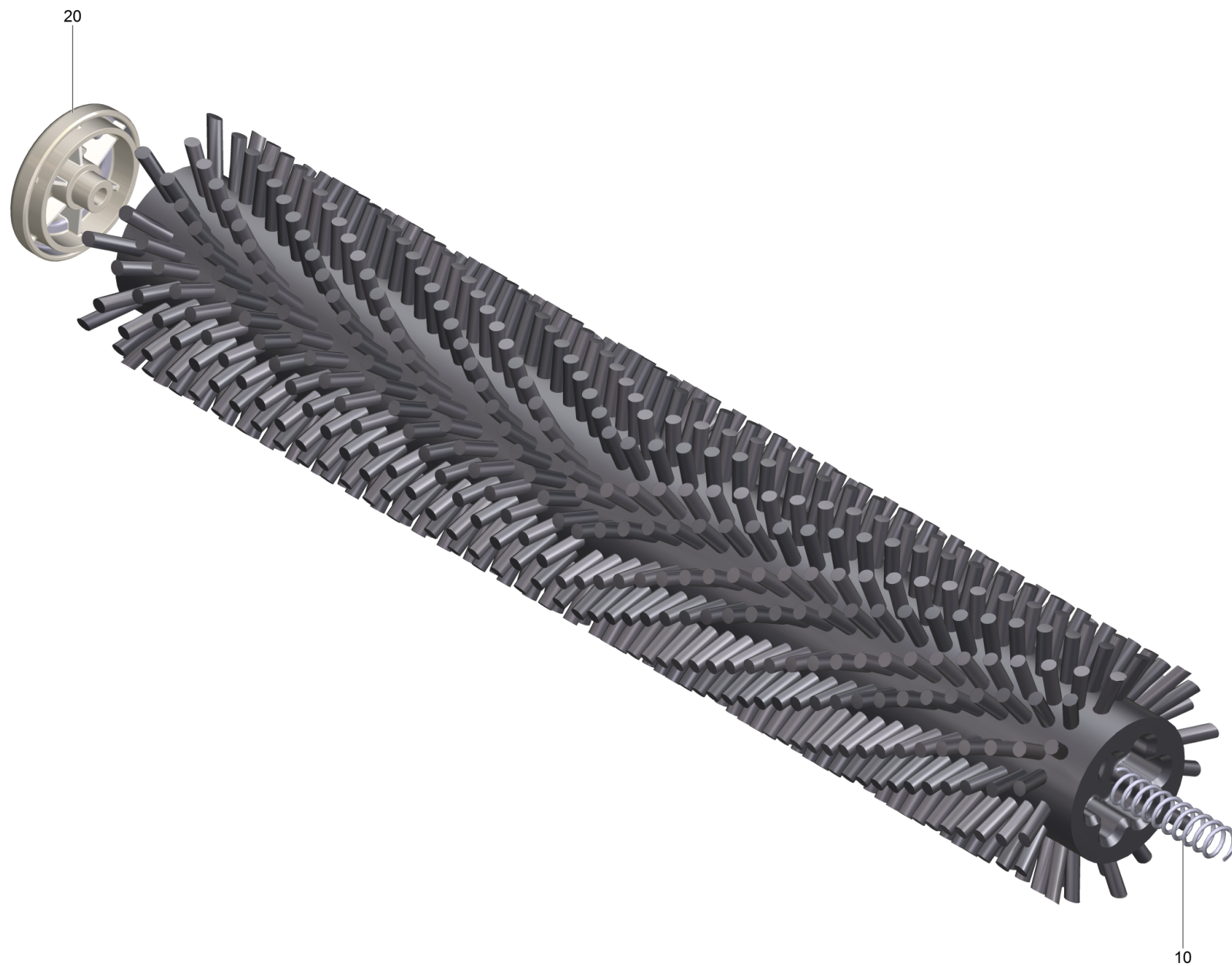


## 40 Brush-head

POS	Article no.	Description	Quantity	Unit	Foot note text
20	3.763-098.0	Assembly group brushes drive	1.000	ST	
26	4.033-202.0	Bumper replacement	1.000	ST	
2	5.112-863.0	Bush	2.000	ST	
43	5.033-269.0	Cap coupler	1.000	ST	
38	7.303-269.0	Countersunk screw 4x20 -A2-70 (In6Rd)	2.000	ST	
14	5.033-222.0	Coupler clamp block	2.000	ST	
40	4.470-043.0	Coupler complete	1.000	ST	
1	5.033-755.0	Covering cap brush-head	1.000	ST	
9	5.033-238.0	Covering cap plate switch	1.000	ST	
18	5.033-223.0	cover retainer transmission	1.000	ST	
47	5.033-952.0	Form hose fresh water BR 30/4	1.000	ST	
30	5.363-698.0	HOSE NOZZLE	1.000	ST	
11	5.033-200.0	Housing brush-head	1.000	ST	
21	7.343-001.0	Locking ring 10x1-Rf-St DIN 471	1.000	ST	
8	4.481-291.0	Pedal complete only for replacement	1.000	ST	
27	5.033-225.0	Pedal suction bar	1.000	ST	
36	5.033-279.0	Pin snap-fit wheel	2.000	ST	
4	5.033-264.0	Plain bearing with collar	2.000	ST	
42	4.470-040.0	Pressure roller complete	1.000	ST	
6	6.473-522.0	Pump	1.000	ST	
31	5.034-826.0	Retaining bracket height adjustment	1.000	ST	
29	5.034-803.0	Retaining bracket suction bar	1.000	ST	
41	5.009-415.0	Retaining plate brush	1.000	ST	
12	4.762-452.0	Roller brush complete white	1.000	ST	
12	4.762-484.0	Roller brush orange complete 300	1.000	ST	
12	4.762-005.0	Roller brush red complete BR 30/4 C	1.000	ST	
22	4.880-058.0	Roller set	2.000	ST	
12	4.762-453.0	Roll micro-fibre complete	1.000	ST	
3	5.363-694.0	rubber pump	2.000	ST	
10	7.303-026.0	Screw 4x16 -A2-70 (In6Rd)	6.000	ST	
15	7.303-096.0	Screw 4x22 -ST-10.9-R2R (IN6RD)	4.000	ST	
39	7.303-104.0	Screw 5x16 -A2-70 (IN6RD)	2.000	ST	
17	7.303-212.0	Screw 5x20 -A2-70 (In6Rd)	3.000	ST	

## 40 Brush-head

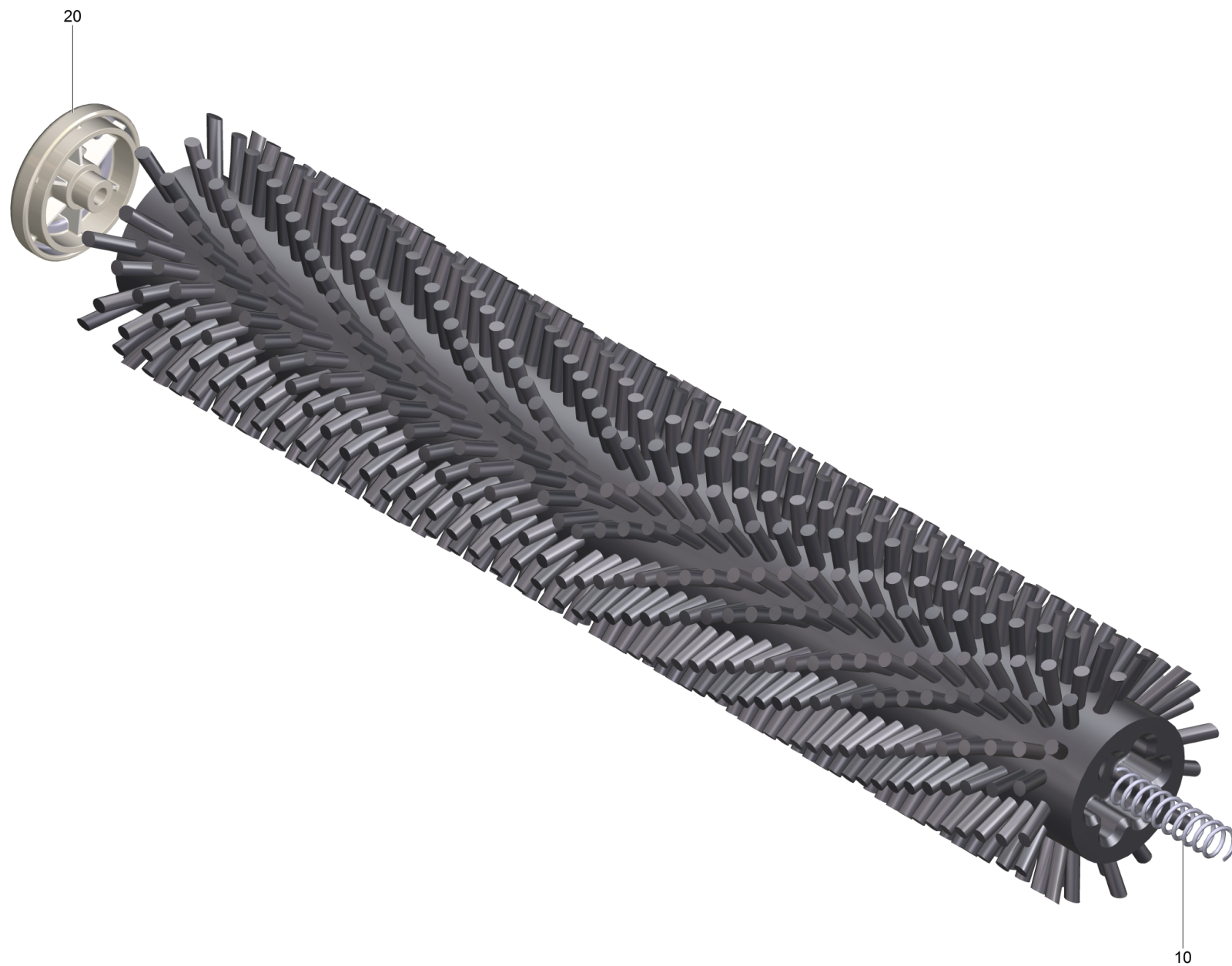
POS	Article no.	Description	Quantity	Unit	Foot note text
37	7.303-268.0	Screw 5x30 -A2-70 (In6Rd)	12.000	ST	
19	5.363-713.0	Seal Lagerdeckel	1.000	ST	
44	6.273-037.0	Seal string cellular rubber 3	1.000	M	TO ORDER AS CUT GOODS
35	5.033-208.0	Snap-fit wheel	2.000	ST	
23	5.332-952.0	Spring	4.000	ST	
33	6.647-513.0	Strain relief	2.000	ZST	
28	5.190-255.0	Strip water distributor	1.000	ST	
25	4.777-324.0	Suction bar complete oil resistant 300	2.000	ST	
25	4.777-008.0	Suction bar complete replacement Silikon	2.000	ST	
7	5.033-207.0	Suction channel brush-head	1.000	ST	
5	5.033-258.0	Suction channel top part	1.000	ST	
50	6.391-724.0	Suction hose DN32 -130mm	1.000	ST	
45	5.033-230.0	Thread deflector	1.000	ST	
16	4.348-450.0	Toothed belt set	1.000	ST	
24	5.033-224.0	Web suction bar	2.000	ST	
32	5.515-069.0	Wheel	1.000	ST	
34	5.515-366.0	Wheel D121	2.000	ST	



12 Roller brush red complete BR 30/4 C (4.762-005.0)

---

<b>POS</b>	<b>Article no.</b>	<b>Description</b>	<b>Quantity</b>	<b>Unit</b>
10	5.332-082.0	Helical spring	1.000	ST
20	5.033-230.0	Thread deflector	1.000	ST

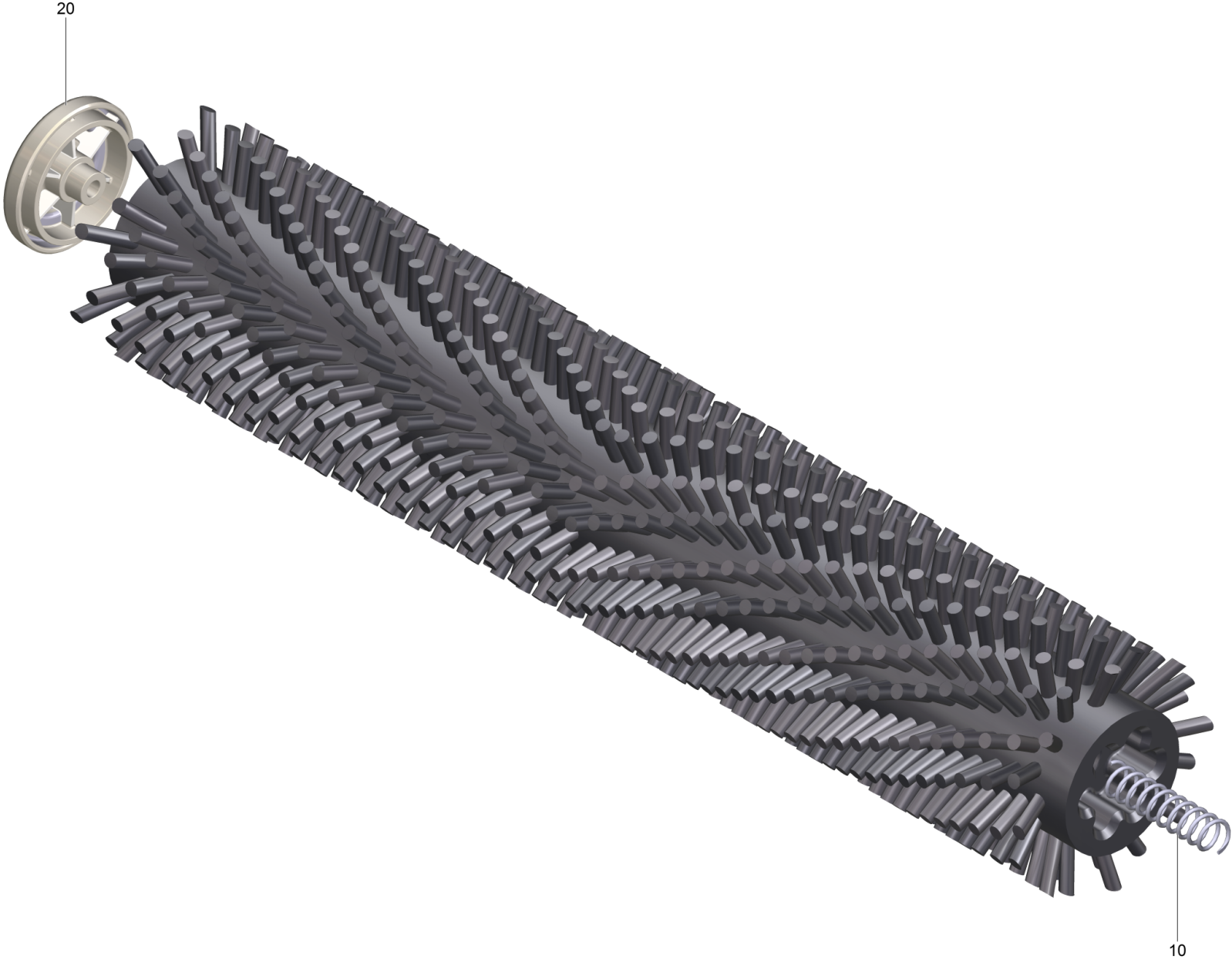


12 Roller brush complete white (4.762-452.0)

---

<b>POS</b>	<b>Article no.</b>	<b>Description</b>	<b>Quantity</b>	<b>Unit</b>
10	5.332-082.0	Helical spring	1.000	ST
20	5.033-230.0	Thread deflector	1.000	ST

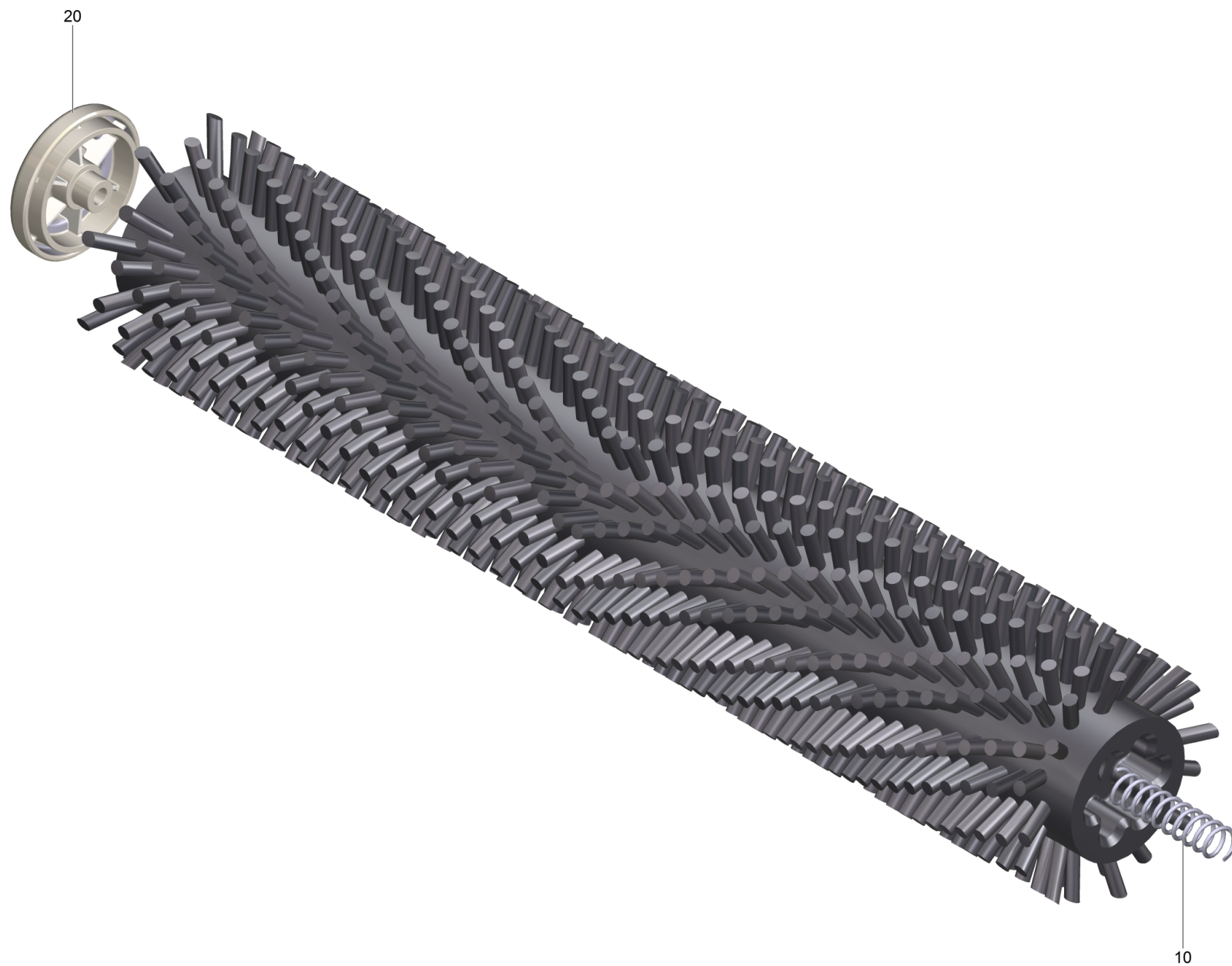




12 Roll micro-fibre complete (4.762-453.0)

---

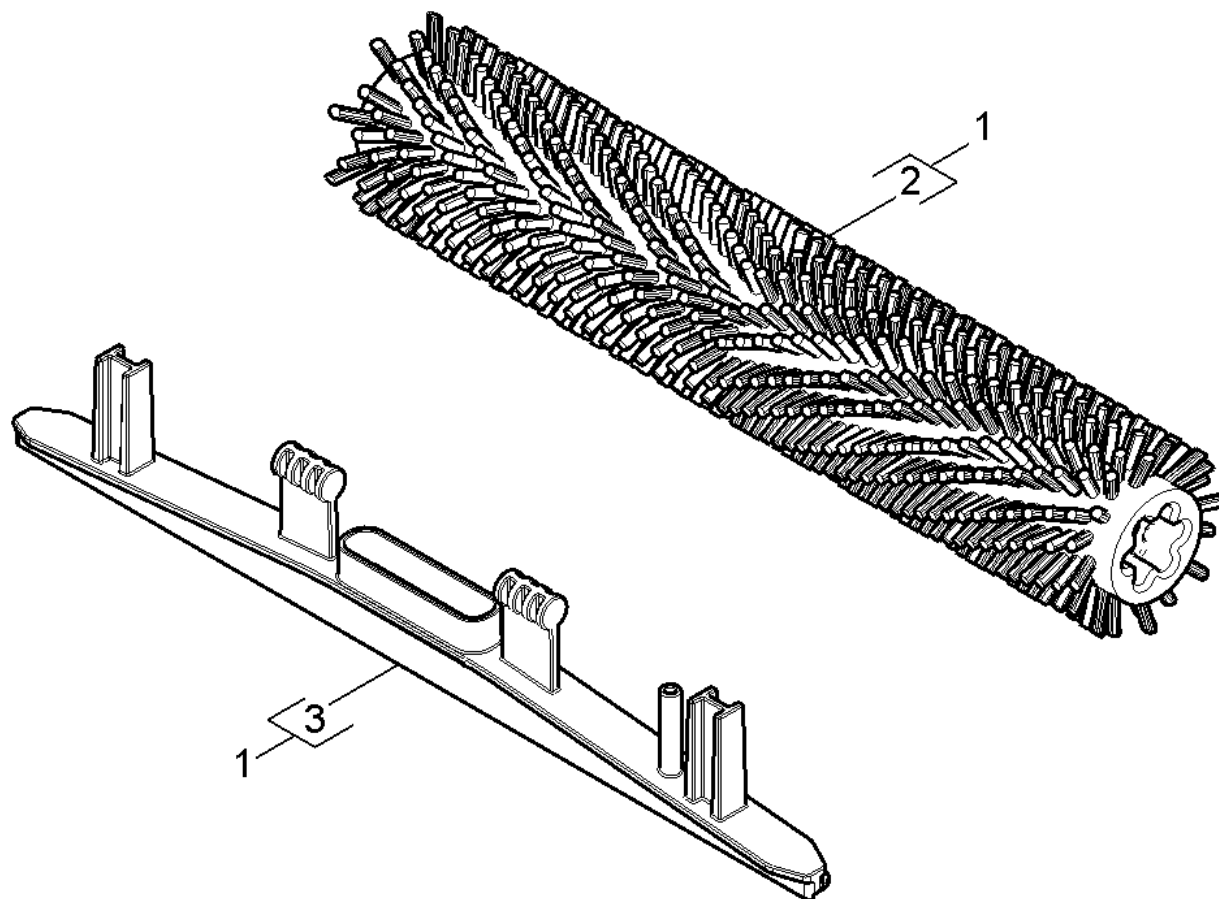
<b>POS</b>	<b>Article no.</b>	<b>Description</b>	<b>Quantity</b>	<b>Unit</b>
10	5.332-082.0	Helical spring	1.000	ST
20	5.033-230.0	Thread deflector	1.000	ST



12 Roller brush orange complete 300 (4.762-484.0)

---

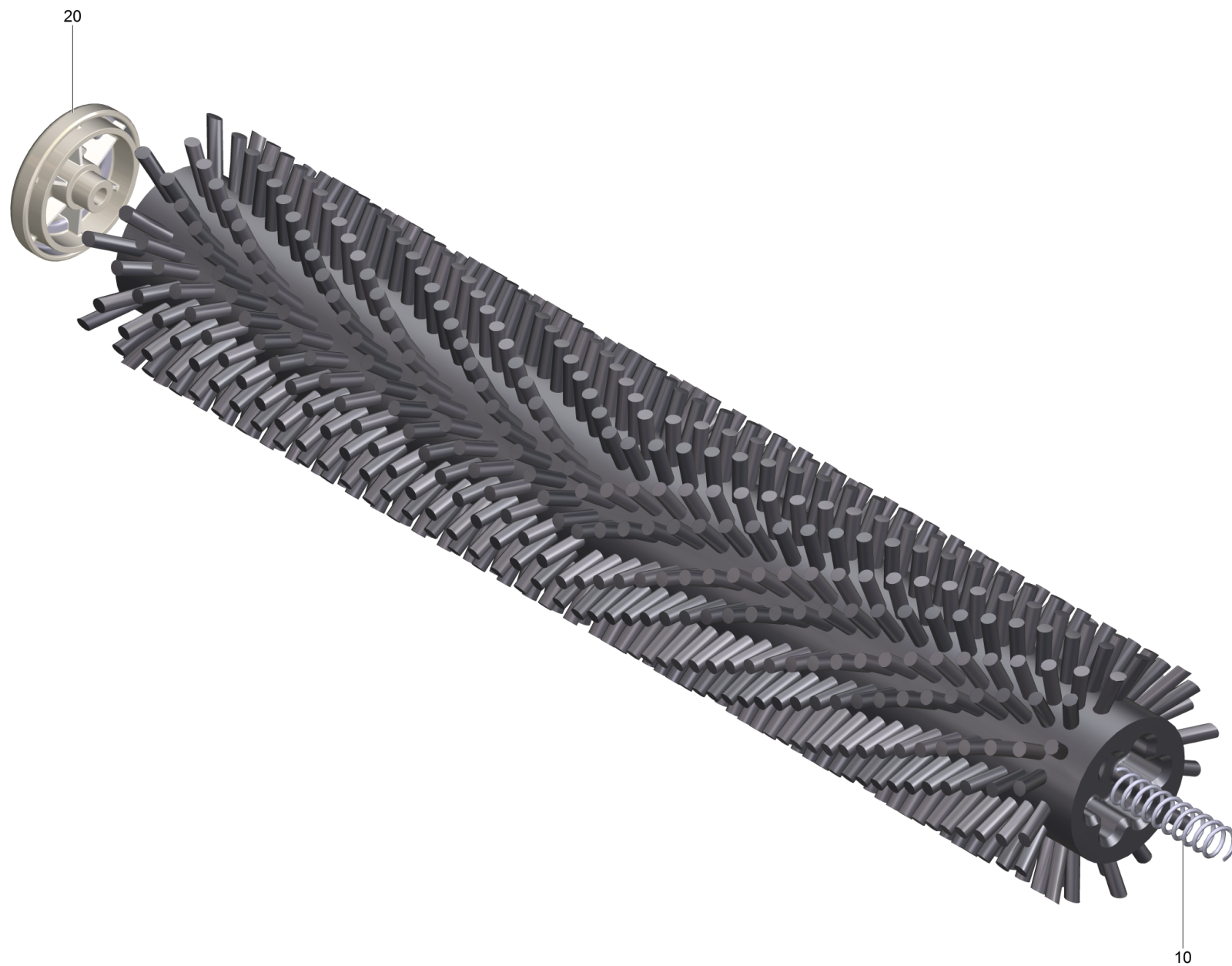
<b>POS</b>	<b>Article no.</b>	<b>Description</b>	<b>Quantity</b>	<b>Unit</b>
10	5.332-082.0	Helical spring	1.000	ST
20	5.033-230.0	Thread deflector	1.000	ST



## 50 Add-on kit carpet cleaning

---

<b>POS</b>	<b>Article no.</b>	<b>Description</b>	<b>Quantity</b>	<b>Unit</b>
1	2.783-005.0	Add-on kit carpet cleaning BR 30/4 C	1.000	ST
2	4.762-499.0	Roller brush blue complete 300	1.000	ST
3	5.033-275.0	Suction bar carpet cleaning	1.000	ST



2 Roller brush blue complete 300 (4.762-499.0)

---

<b>POS</b>	<b>Article no.</b>	<b>Description</b>	<b>Quantity</b>	<b>Unit</b>
10	5.332-082.0	Helical spring	1.000	ST
20	5.033-230.0	Thread deflector	1.000	ST