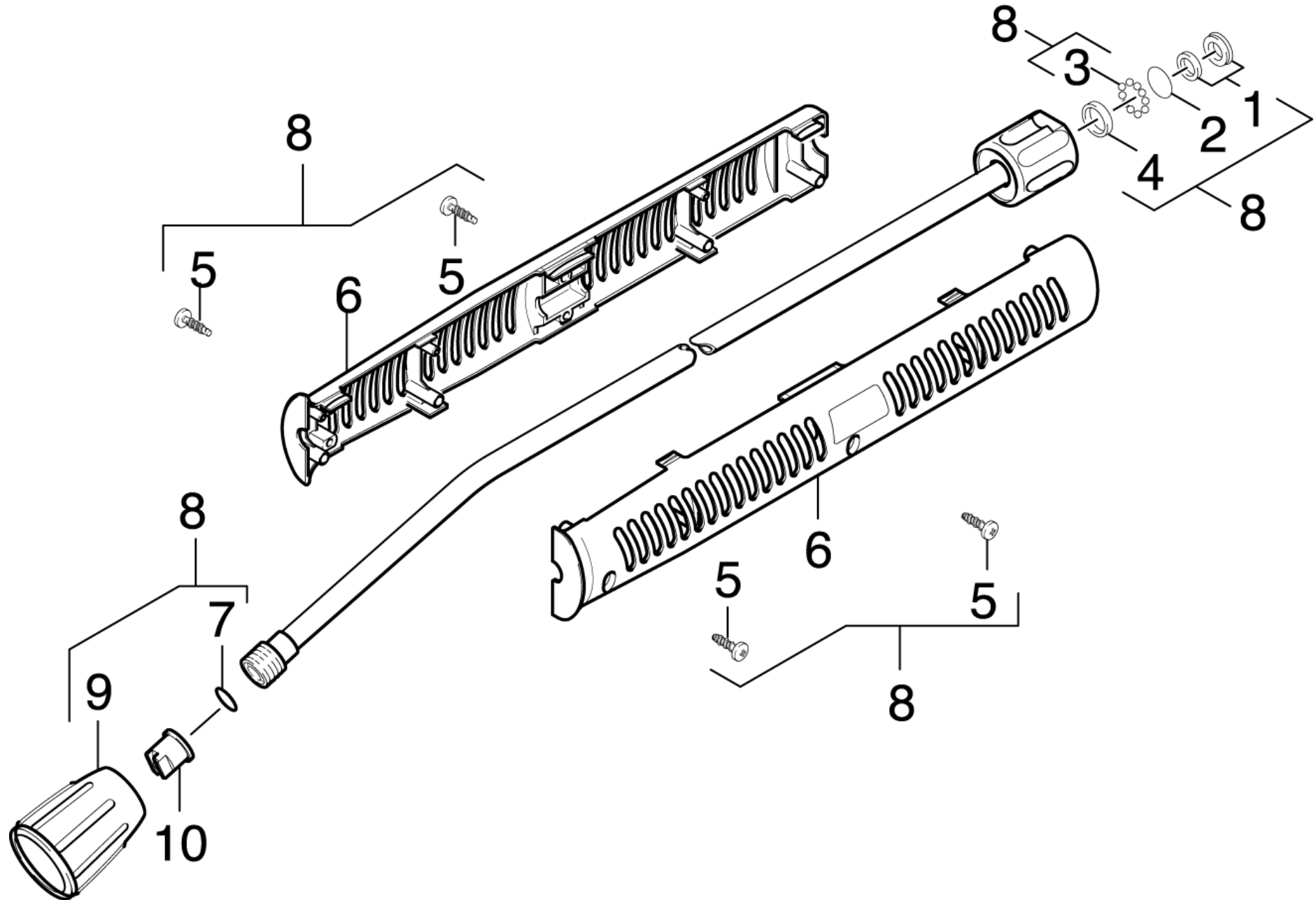


115 Jet pipe

Professional \ High pressure cleaner hotwater \ Electric motor \ HDS 558 C *EU \ Spare parts list HDS 558 C \ Accessories \ Jet pipe



115 Jet pipe

Professional \ High pressure cleaner hotwater \ Electric motor \ HDS 558 C *EU \ Spare parts list HDS 558 C \ Accessories \ Jet pipe

KÄRCHER

POS	Article no.	Description	Quantity	Unit
1	4.363-692.0	Grooved ring kpl. -nur fuer Ersatz-	1	PC
2	6.362-524.0	O-Ring seal 17,0 X 1,5	1	PC
3	7.401-921.0	Sphere 4 G20 -1.4034 DIN 5401	12	PC
4	6.362-529.0	Joint ring 12x1,5	1	PC
5	6.303-025.0	Oval head screw 4,2x16-St-vz	4	PC
6	5.321-150.0	HANDLE (PART NO=ONE HALF)	2	PC
7	2.880-990.0	Spare part set O-Ring 5x -Kaercher	1	PC
8	4.760-660.0	Jet pipe packaged only for replacement	1	PC
9	5.401-129.0	Screw connector part	1	PC
10	2.883-803.0	Power nozzle only for replacement 25034	1	PC
10	2.883-821.0	Power nozzle 25036	1	PC
10	2.883-831.0	Power nozzle 25042	1	PC
10	2.883-893.0	Power nozzle 25041	1	PC