

Spare parts list

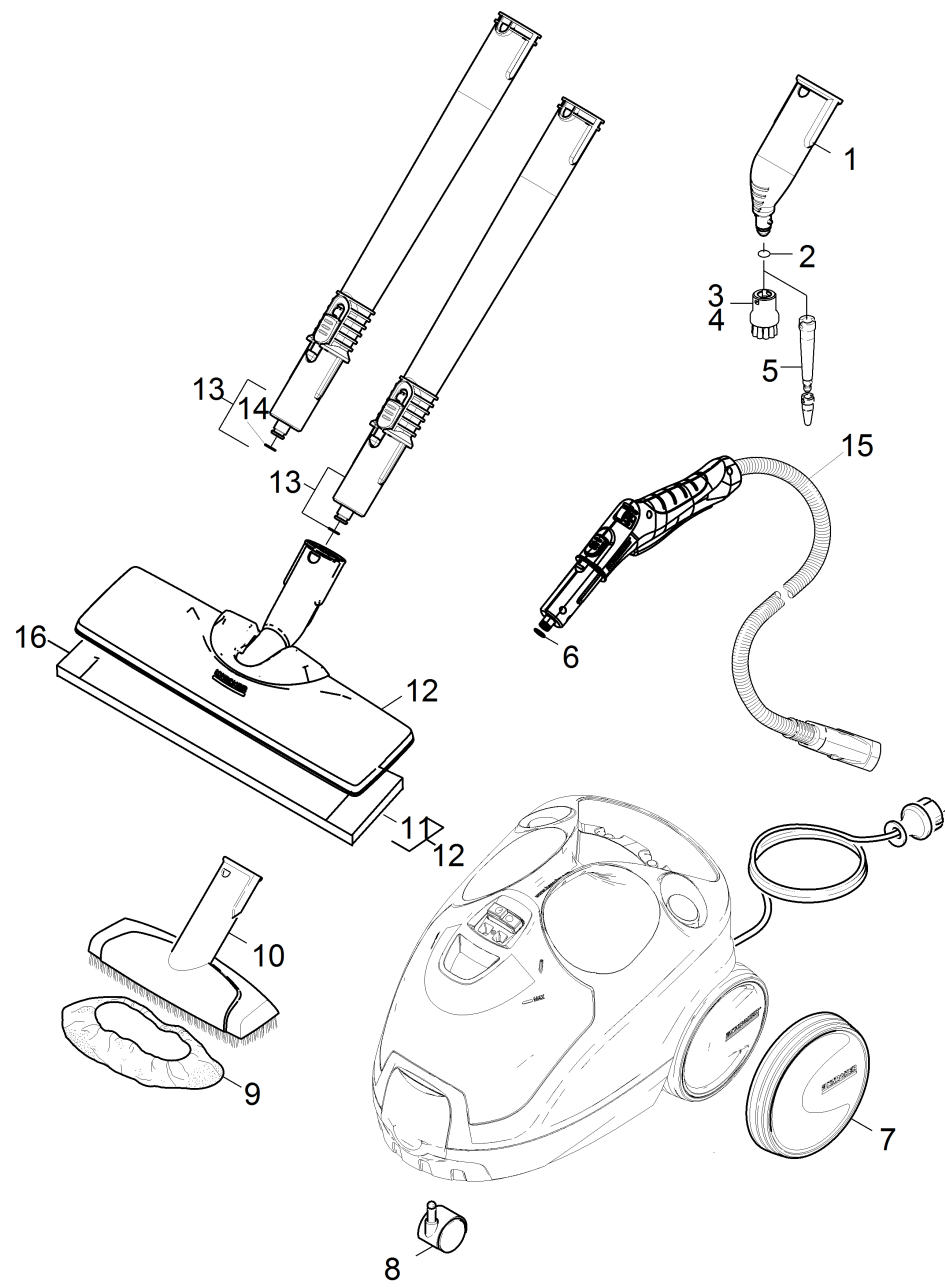
(1.512-450.0) SC 4 EasyFix (yellow) *EU

Table of contents

SC 4 EasyFix (yellow) *EU (1.512-450.0)	3
Short spare parts list	4
10 Housing	6
20 Boiler	8
8 Boiler complete replacement SC 4 (4.070-060.0)	10
9010 Elbow nipple set replacement (4.509-000.0)	12
13 Pump complete MK (4.473-020.0)	14
9001 Elbow nipple set replacement (4.509-000.0)	16
30 Steam hose	18
1 Steam hose without plug bk/yw (4.322-048.0)	20
40 Accessories	21
2 Point jet nozzle complete PA (4.130-021.0)	23
8 Extension pipe (4.127-024.0)	25
13 Power nozzle (2.884-282.0)	27

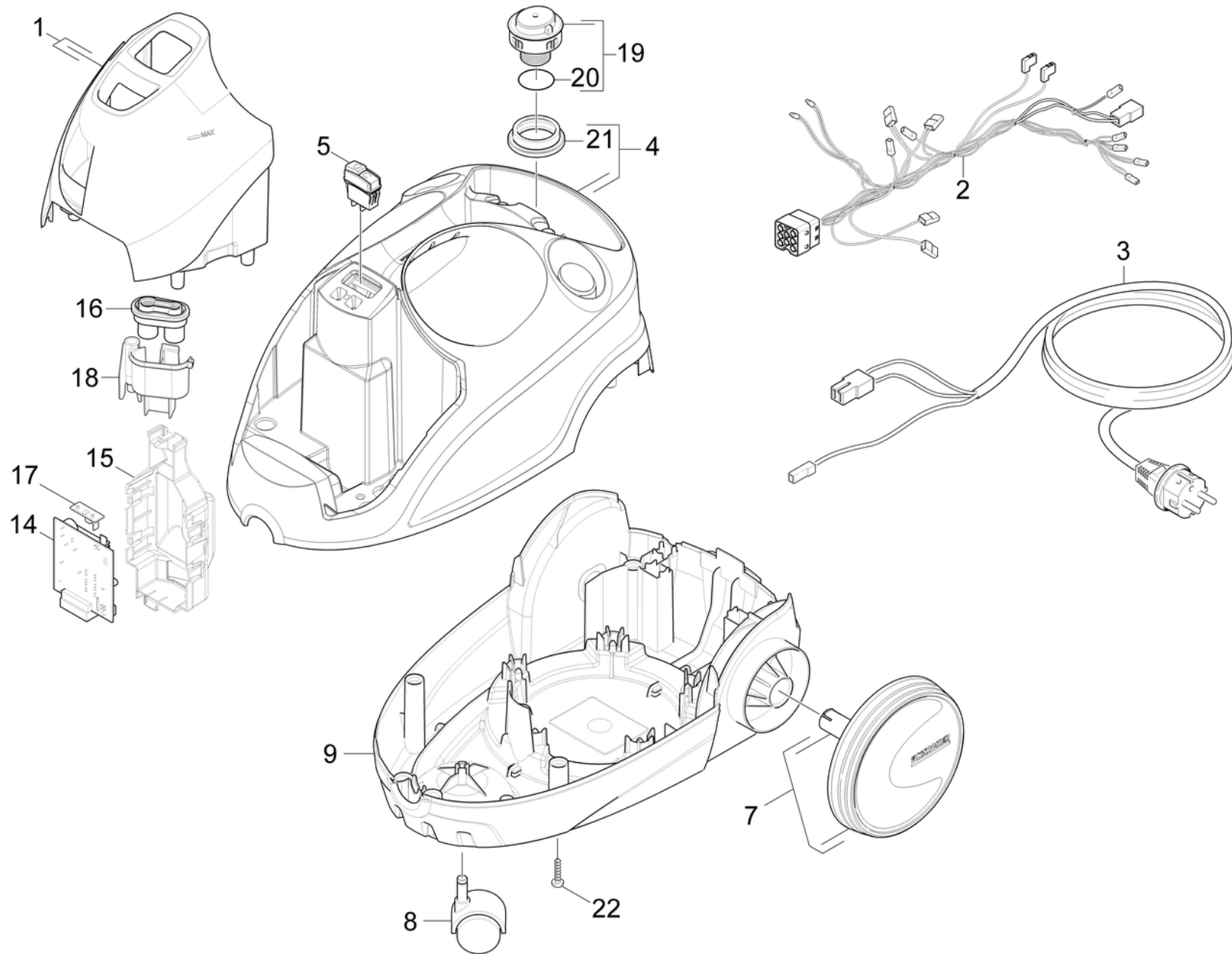
SC 4 EasyFix (yellow) *EU (1.512-450.0)

POS	Description	Quantity	Unit
40	Accessories	1.000	ST
20	Boiler	1.000	ST
10	Housing	1.000	ST
0	Short spare parts list	1.000	ST
30	Steam hose	1.000	ST



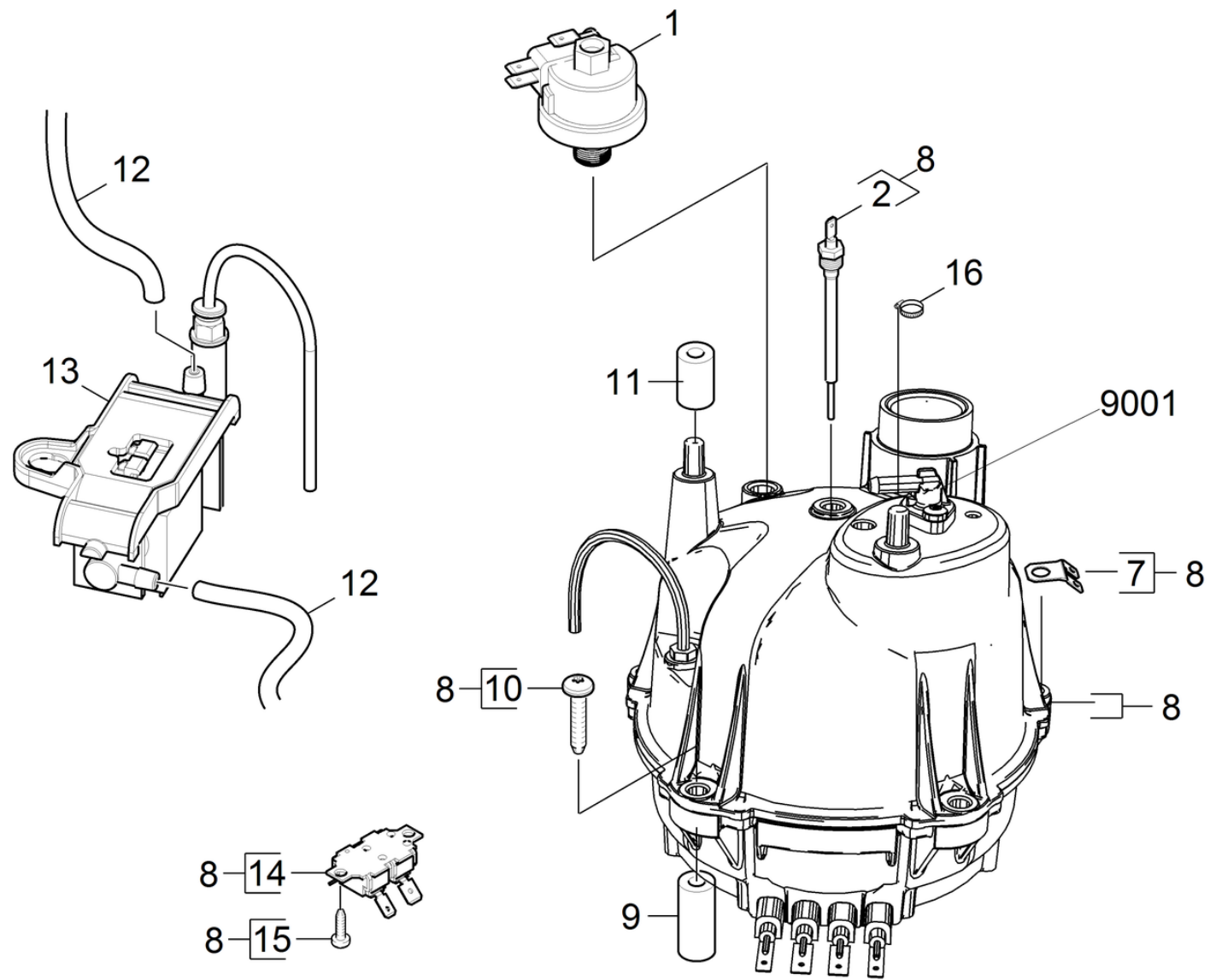
Short spare parts list

POS	Article no.	Description	Quantity	Unit
4	2.863-061.0	Bristle rink set CuZn	1.000	ST
8	6.435-857.0	Castor	1.000	ST
13	4.127-024.0	Extension pipe	2.000	ST
12	2.863-267.0	Floor nozzle set EasyFix	1.000	ST
10	2.884-280.0	Hand nozzle	1.000	ST
7	4.515-307.0	Impeller kit replacement	1.000	ST
16	2.863-266.0	Microfibre cloth set bath	1.000	ST
16	2.863-265.0	Microfibre cloth set kitchen	1.000	ST
9	2.863-270.0	Microfibre covers for hand nozzle	1.000	ST
11	2.863-259.0	Microfibre floor cloths EasyFix (2-er Se	1.000	ST
2	6.362-186.0	O-Ring seal 7,65X 1,78	1.000	ST
14	6.362-922.0	O-Ring seal 8,73x1,78	1.000	ST
6	6.362-922.0	O-Ring seal 8,73x1,78	1.000	ST
1	4.130-021.0	Point jet nozzle complete PA	1.000	ST
5	2.884-282.0	Power nozzle	1.000	ST
3	2.863-264.0	Round brushes set	1.000	ST
15	4.322-048.0	Steam hose without plug bk/yw	1.000	ST



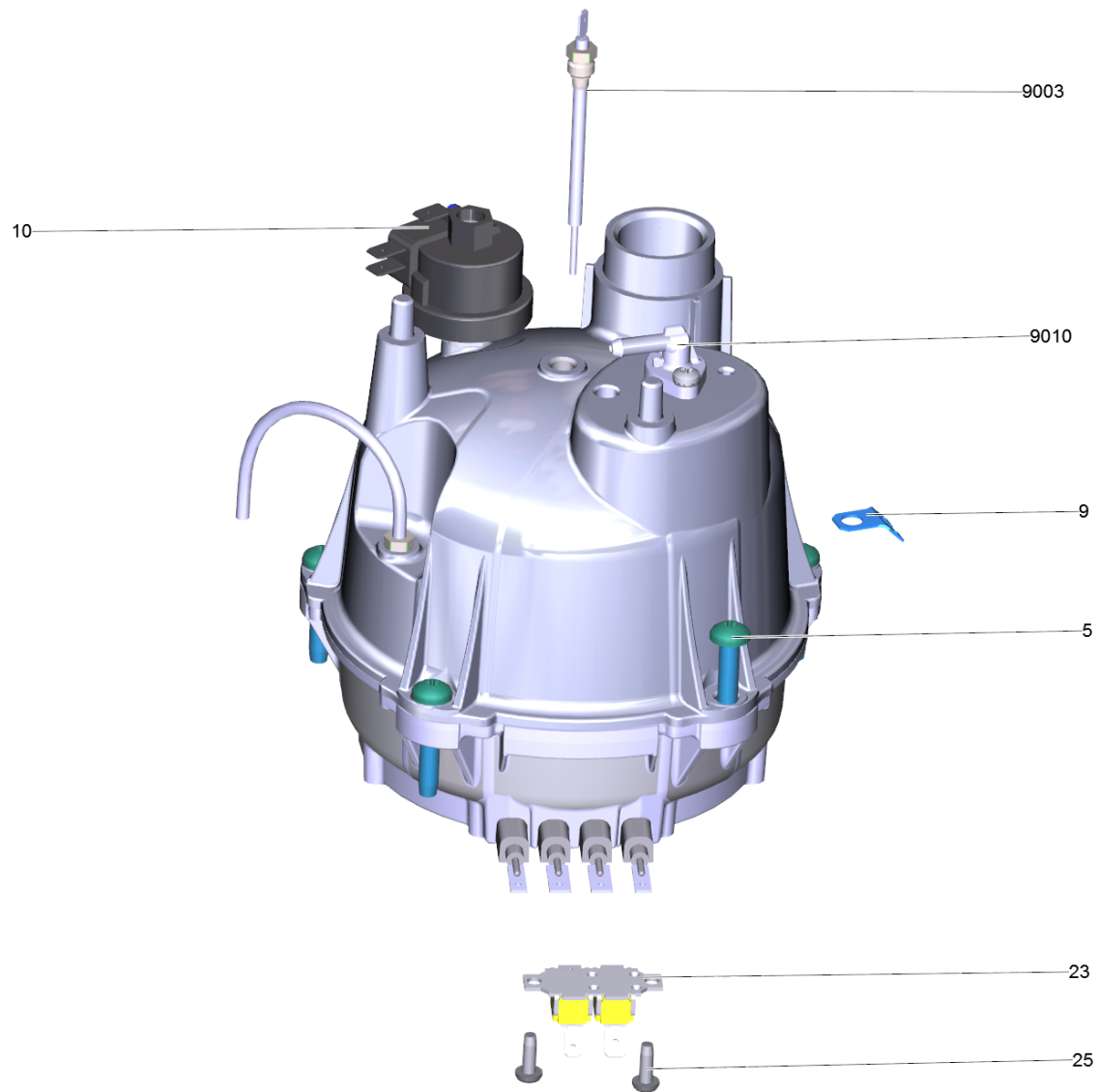
10 Housing

POS	Article no.	Description	Quantity	Unit
2	4.039-030.0	Cable set SC 4 EU	1.000	ST
3	6.649-797.0	Cable with plug EU 4m	1.000	ST
15	5.512-067.0	Carrier electronics MK DIY	1.000	ST
18	5.512-046.0	Carrier valve EFH-MK	1.000	ST
8	6.435-857.0	Castor	1.000	ST
17	6.512-012.0	Electronics display MK DIY	1.000	ST
14	6.512-015.0	Electronics MK *EU	1.000	ST
9	5.512-022.0	Housing bottom part Floortool r-r	1.000	ST
7	4.515-307.0	Impeller kit replacement	1.000	ST
19	4.580-760.0	Maintenance closure complete replacement	1.000	ST
20	6.363-468.0	O-Ring seal EPDM 22x3	1.000	ST
22	7.303-108.0	Screw 5x20 -10.9-R2R (In6Rd)	6.000	ST
21	5.363-745.0	Seal connection piece M24	1.000	ST
5	4.744-169.0	Switch complete only for replacement	1.000	ST
1	4.512-036.0	Tank complete replacement SC 2.600/SC 2.	1.000	ST
4	4.512-042.0	Upper housing replacement SC 2.500 C_SC	1.000	ST
16	4.580-637.0	Valve tank replacement	1.000	ST



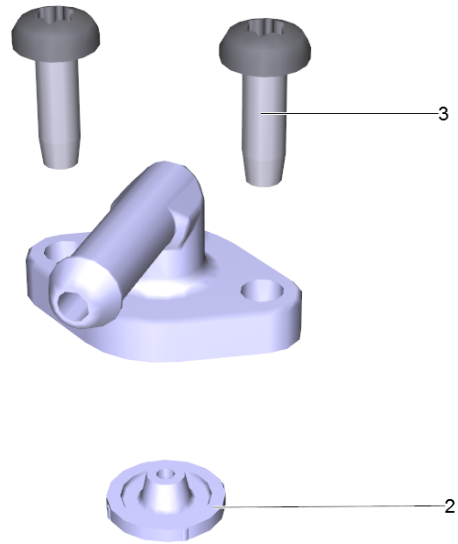
20 Boiler

POS	Article no.	Description	Quantity	Unit
11	6.512-002.0	Bearing rubber above	2.000	ST
9	6.512-001.0	Bearing rubber bottom	5.000	ST
8	4.070-060.0	Boiler complete replacement SC 4	1.000	ST
9001	4.509-000.0	Elbow nipple set replacement	1.000	ST
12	6.391-336.0	Hose	1.000	M
16	6.389-993.0	Hose clip 7,5 - 9,0	1.000	ST
10	6.303-324.0	M6 X 32 TORX DRIVE PAN HD SPECIAL POINT	5.000	ST
1	6.413-533.0	Pressure controller 3,2 bar	1.000	ST
2	4.512-028.0	Probe complete replacement	1.000	ST
13	4.473-020.0	Pump complete MK	1.000	ST
15	7.303-031.0	Screw M4x10 -St-P2R (In6Rd)	2.000	ST
7	6.651-519.0	Tab	1.000	ST
14	6.630-483.0	Thermostat	1.000	ST



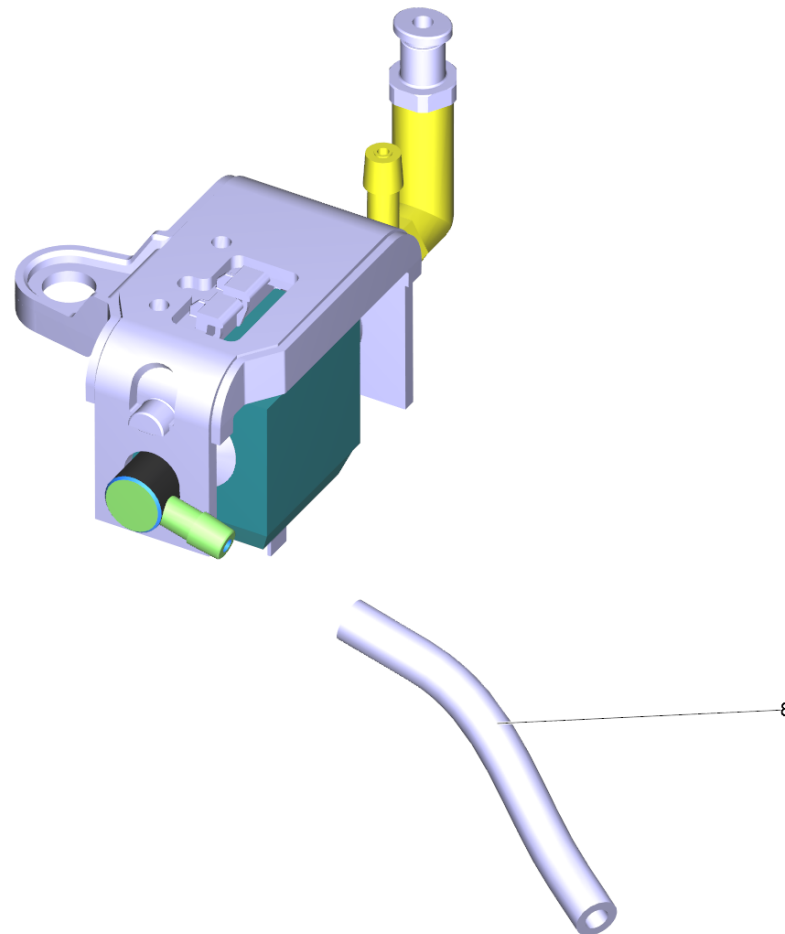
8 Boiler complete replacement SC 4 (4.070-060.0)

POS	Article no.	Description	Quantity	Unit
9010	4.509-000.0	Elbow nipple set replacement	1.000	ST
5	6.303-324.0	M6 X 32 TORX DRIVE PAN HD SPECIAL POINT	5.000	ST
10	6.413-533.0	Pressure controller 3,2 bar	1.000	ST
9003	4.512-028.0	Probe complete replacement	1.000	ST
25	7.303-030.0	Screw M4x8 -St-P2R (In6Rd)	2.000	ST
9	6.651-519.0	Tab	1.000	ST
23	6.630-483.0	Thermostat	1.000	ST



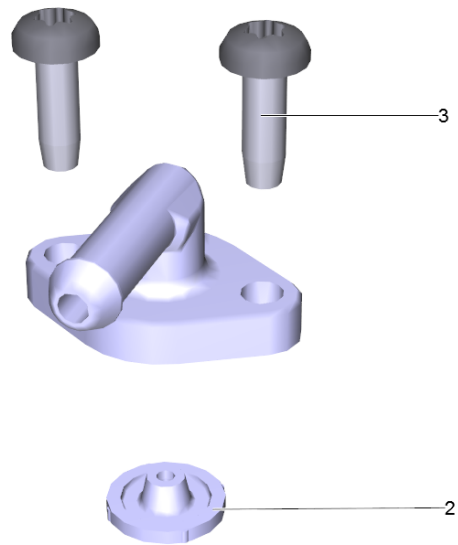
9010 Elbow nipple set replacement (4.509-000.0)

POS	Article no.	Description	Quantity	Unit
3	7.303-032.0	Screw M4x12 -St-R2R (In6Rd)	2.000	ST
2	5.363-770.0	Seal throttle 1800W	1.000	ST



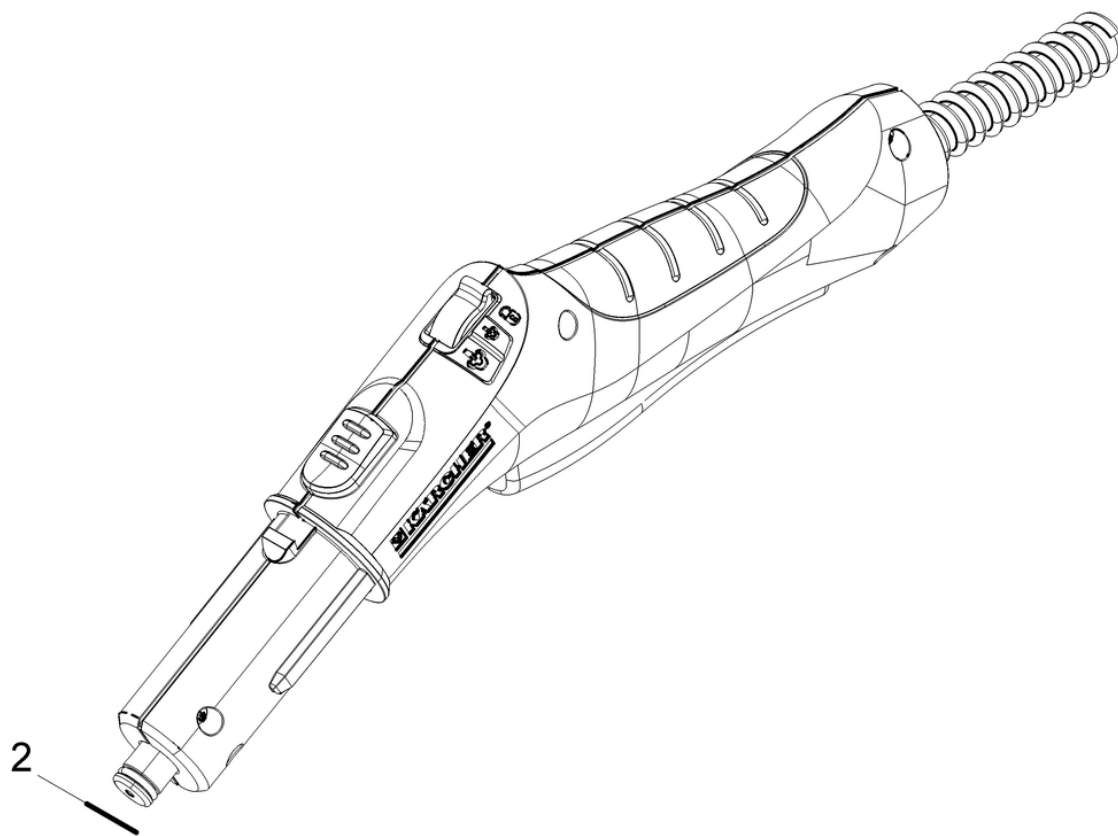
13 Pump complete MK (4.473-020.0)

POS	Article no.	Description	Quantity	Unit
8	6.391-336.0	Hose	1.000	M



9001 Elbow nipple set replacement (4.509-000.0)

POS	Article no.	Description	Quantity	Unit
3	7.303-032.0	Screw M4x12 -St-R2R (In6Rd)	2.000	ST
2	5.363-770.0	Seal throttle 1800W	1.000	ST

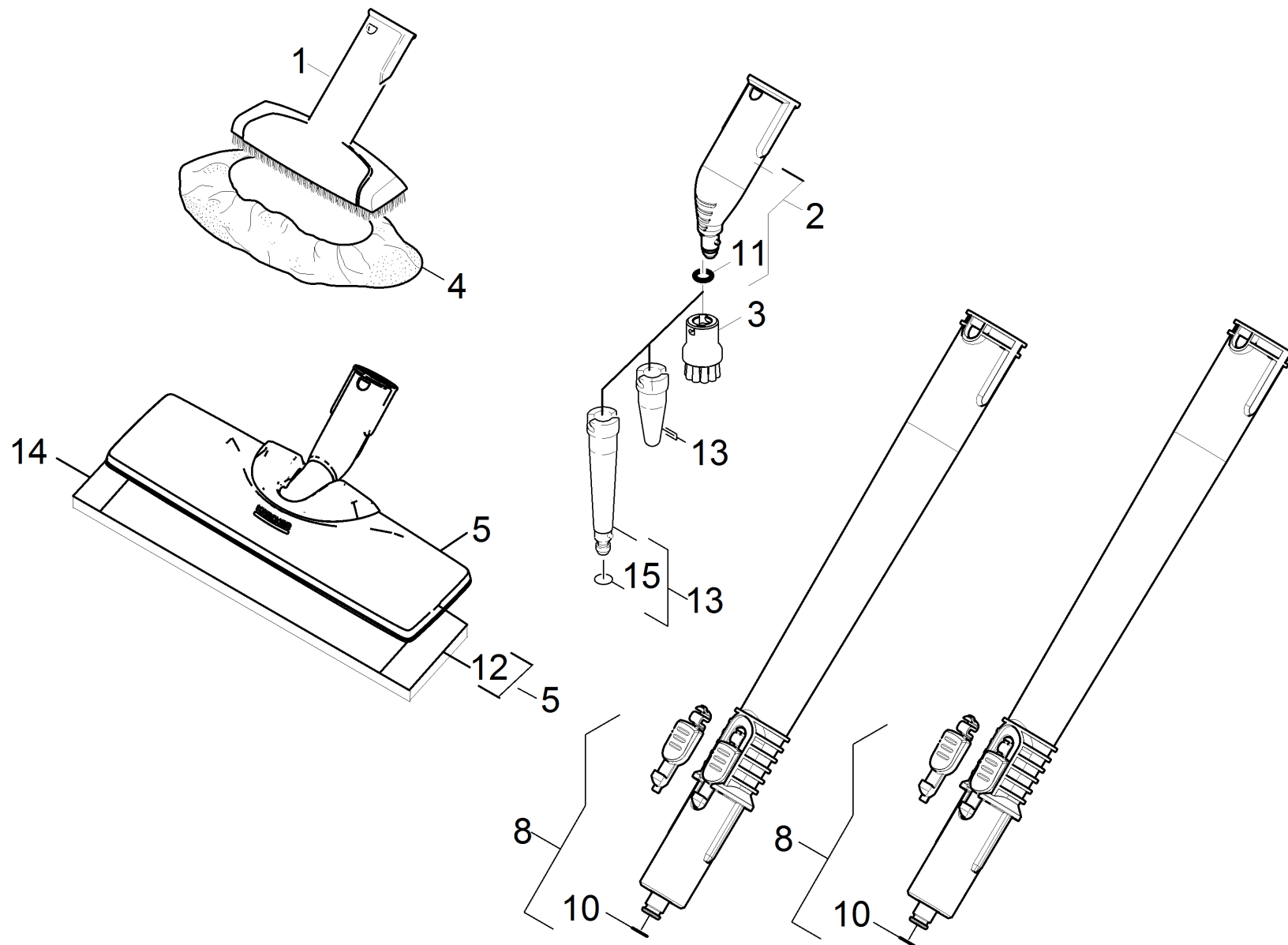


30 Steam hose

POS	Article no.	Description	Quantity	Unit
2	6.362-922.0	O-Ring seal 8,73x1,78	1.000	ST
1	4.322-048.0	Steam hose without plug bk/yw	1.000	ST

1 Steam hose without plug bk/yw (4.322-048.0)

POS	Article no.	Description	Quantity	Unit
2	6.362-922.0	O-Ring seal 8,73x1,78	1.000	ST



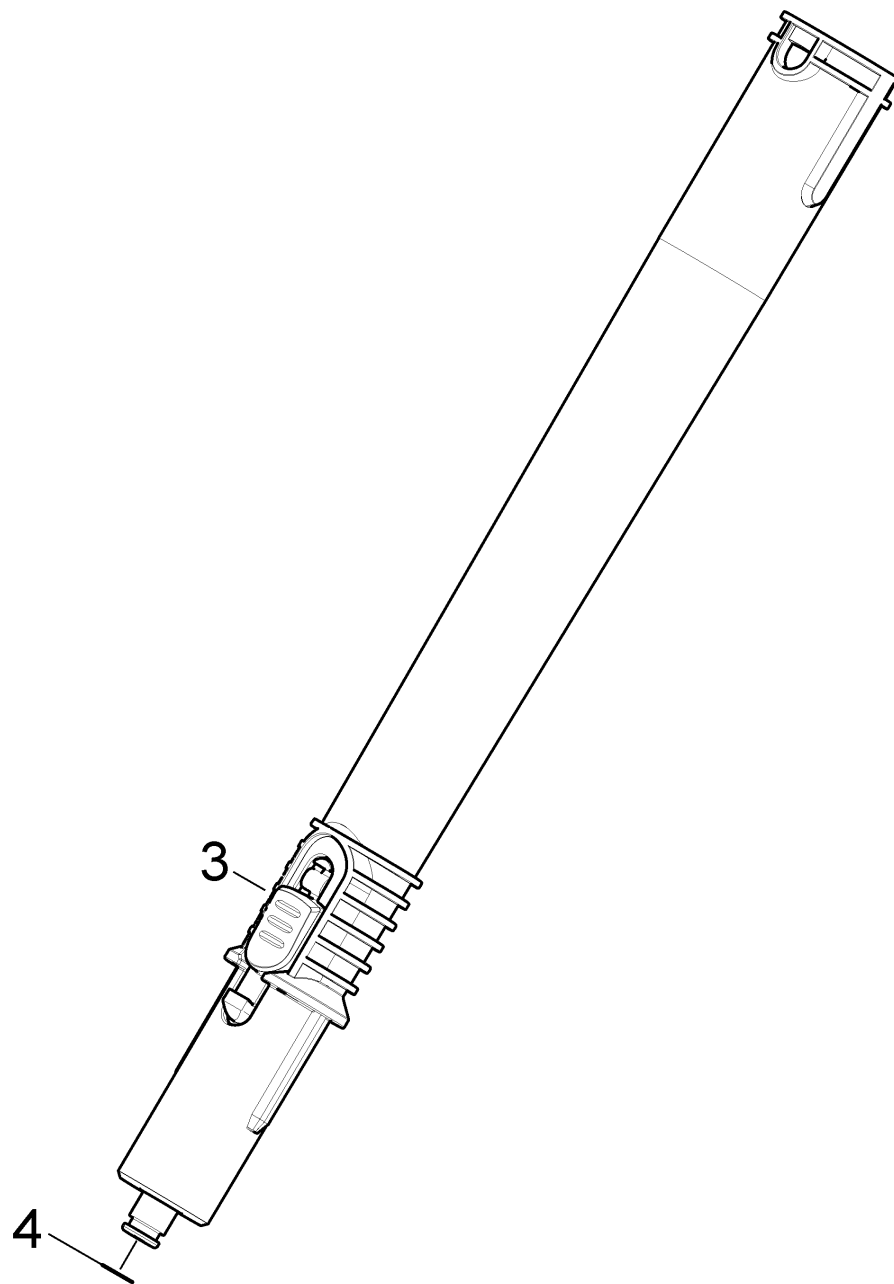
40 Accessories

POS	Article no.	Description	Quantity	Unit
3	2.863-061.0	Bristle rink set CuZn	1.000	ST
8	4.127-024.0	Extension pipe	2.000	ST
5	2.863-267.0	Floor nozzle set EasyFix	1.000	ST
1	2.884-280.0	Hand nozzle	1.000	ST
14	2.863-266.0	Microfibre cloth set bath	1.000	ST
14	2.863-265.0	Microfibre cloth set kitchen	1.000	ST
4	2.863-270.0	Microfibre covers for hand nozzle	1.000	ST
12	2.863-259.0	Microfibre floor cloths EasyFix (2-er Se	1.000	ST
15	6.362-924.0	O-Ring seal 6,02X 2,62	1.000	ST
11	6.362-186.0	O-Ring seal 7,65X 1,78	1.000	ST
10	6.362-922.0	O-Ring seal 8,73x1,78	2.000	ST
2	4.130-021.0	Point jet nozzle complete PA	1.000	ST
13	2.884-282.0	Power nozzle	1.000	ST
3	2.863-264.0	Round brushes set	1.000	ST



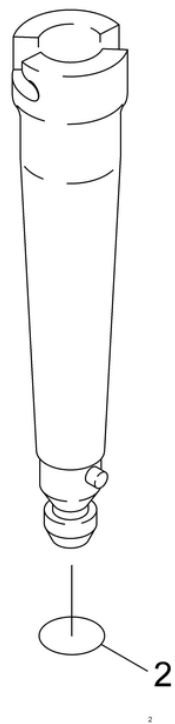
2 Point jet nozzle complete PA (4.130-021.0)

POS	Article no.	Description	Quantity	Unit
2	6.362-186.0	O-Ring seal 7,65X 1,78	1.000	ST



8 Extension pipe (4.127-024.0)

POS	Article no.	Description	Quantity	Unit
4	6.362-922.0	O-Ring seal 8,73x1,78	1.000	ST
3	5.037-220.0	Snap-fit	1.000	ST



13 Power nozzle (2.884-282.0)

POS	Article no.	Description	Quantity	Unit
2	6.362-924.0	O-Ring seal 6,02X 2,62	1.000	ST