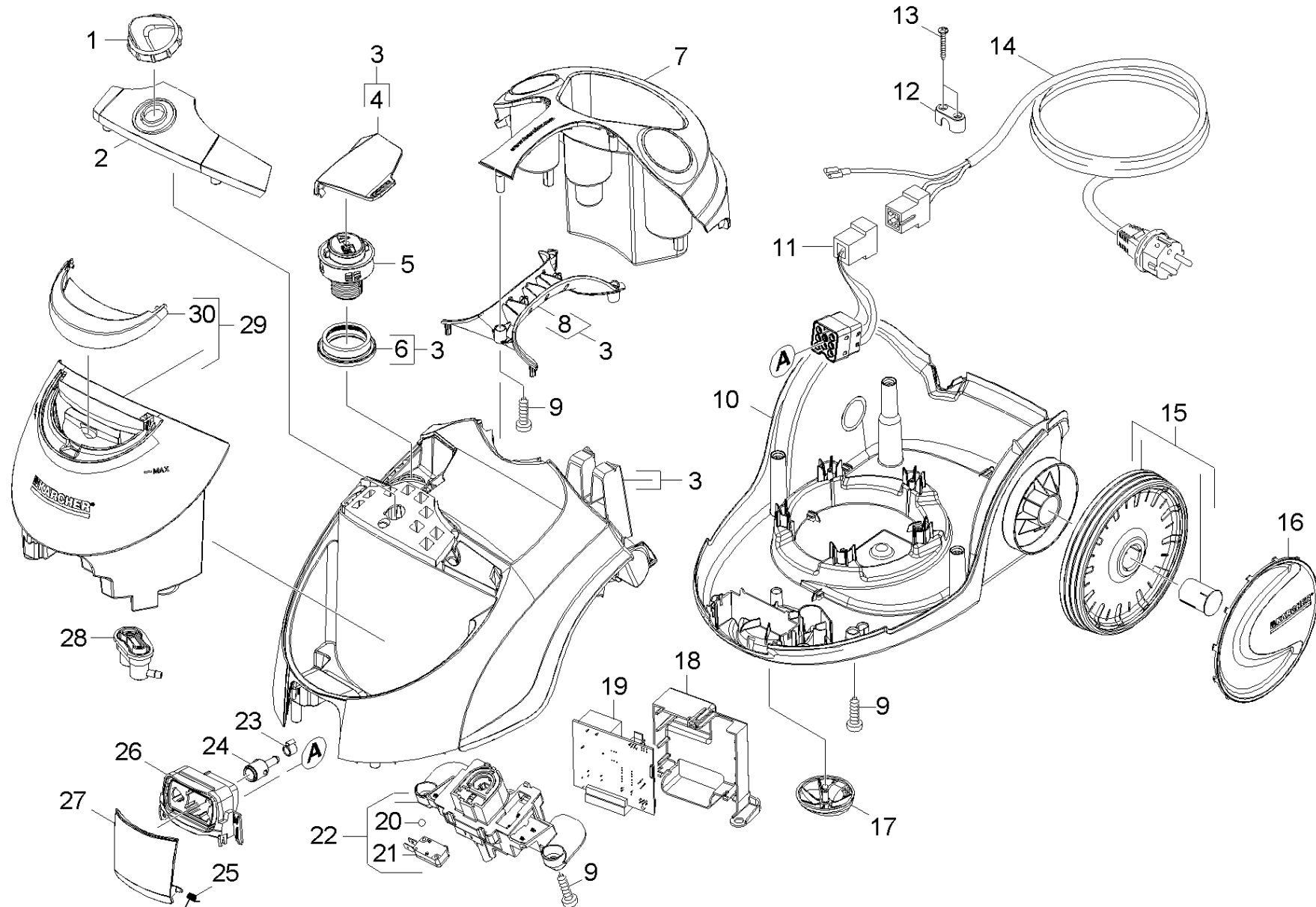


10 Housing

Overview technical documents/Home & Garden/Steamer/SC 5 *EU (1.512-500.0)/Spare parts list SC 5 *EU/10 Housing



10 Housing

Overview technical documents/Home & Garden/Steamer/SC 5 *EU (1.512-500.0)/Spare parts list SC 5 *EU/10 Housing

Rez.daļas/nodil.pakļ.daļas	Poz.	Materiāla Nr.	Nosaukums	Daudzums	Pārdoš. vienība	Daž. informācija
X	1	5.033-757.0	Steam quantity adjuster	1.000	ST	
	2	4.512-066.0	Set screen replacement SC 5.800 C	1.000	ST	
	3	4.512-065.0	Housing top part replacement SC 5.800 C	1.000	ST	
	4	5.512-115.0	Cover accessories yellow SC TOP DIY	1.000	ST	
X	5	4.580-760.0	maintenance closure complete	1.000	ST	
	6	5.363-745.0	Seal connection piece M24	1.000	ST	
	7	5.512-114.0	Attachment housing black SC TOP DIY	1.000	ST	
	8	5.512-117.0	Carrier handle bottom part yellow SC TOP	1.000	ST	
	9	7.303-108.0	Skrūve 5x20 -10.9-R2R (In6Rd)	11.000	ST	
	10	5.512-116.0	Housing bottom part black SC TOP DIY	1.000	ST	
	11	4.039-214.0	Cable set with insert SC TOP	1.000	ST	
	12	5.034-505.0	Retaining bracket cable	1.000	ST	
	13	6.303-199.0	Oval head screw 4,2x 16	2.000	ST	
	14	6.650-033.0	Cable with plug 6m *EU	1.000	ST	*EU
	15	4.515-336.0	Wheel set replacement	1.000	ST	
	16	4.515-338.0	Screen set replacement ye	1.000	ST	
	17	4.195-063.0	Castor	1.000	ST	
	18	5.512-095.0	Carrier electronics SC Top	1.000	ST	
X-X	19	6.512-025.0	Electronics SC TOP DIY	1.000	ST	
	20	7.401-918.0	Sphere 6 G300 -1.4301 DIN 5401	1.000	ST	
	21	6.630-652.0	Micro switch 1005	1.000	ST	
X-X	22	4.512-054.0	Ratchet unit SC TOP DIY	1.000	ST	
	23	6.389-882.0	Hose clip 8,5-10,0	1.000	ST	
	24	5.409-642.0	Nipple plug socket	1.000	ST	
	25	6.332-002.0	Vērpes atspere rozetes pamatnei	1.000	ST	

10 Housing

Overview technical documents/Home & Garden/Steamer/SC 5 *EU (1.512-500.0)/Spare parts list SC 5 *EU/10 Housing

Rez.daļas/nodil.pakļ.daļas	Poz.	Materiāla Nr.	Nosaukums	Daudzums	Pārdoš. vienība	Daž. informācija
X	26	5.512-040.0	Plug socket EFH	1.000	ST	
X-X	27	5.512-120.0	Cover plug socket black SC TOP DIY	1.000	ST	
	28	4.580-637.0	Valve tank replacement	1.000	ST	
X-X	29	4.512-063.0	Tank complete replacement SC 5.800C/SC 6	1.000	ST	
	30	5.512-101.0	Carrier handle tank SC Top	1.000	ST	