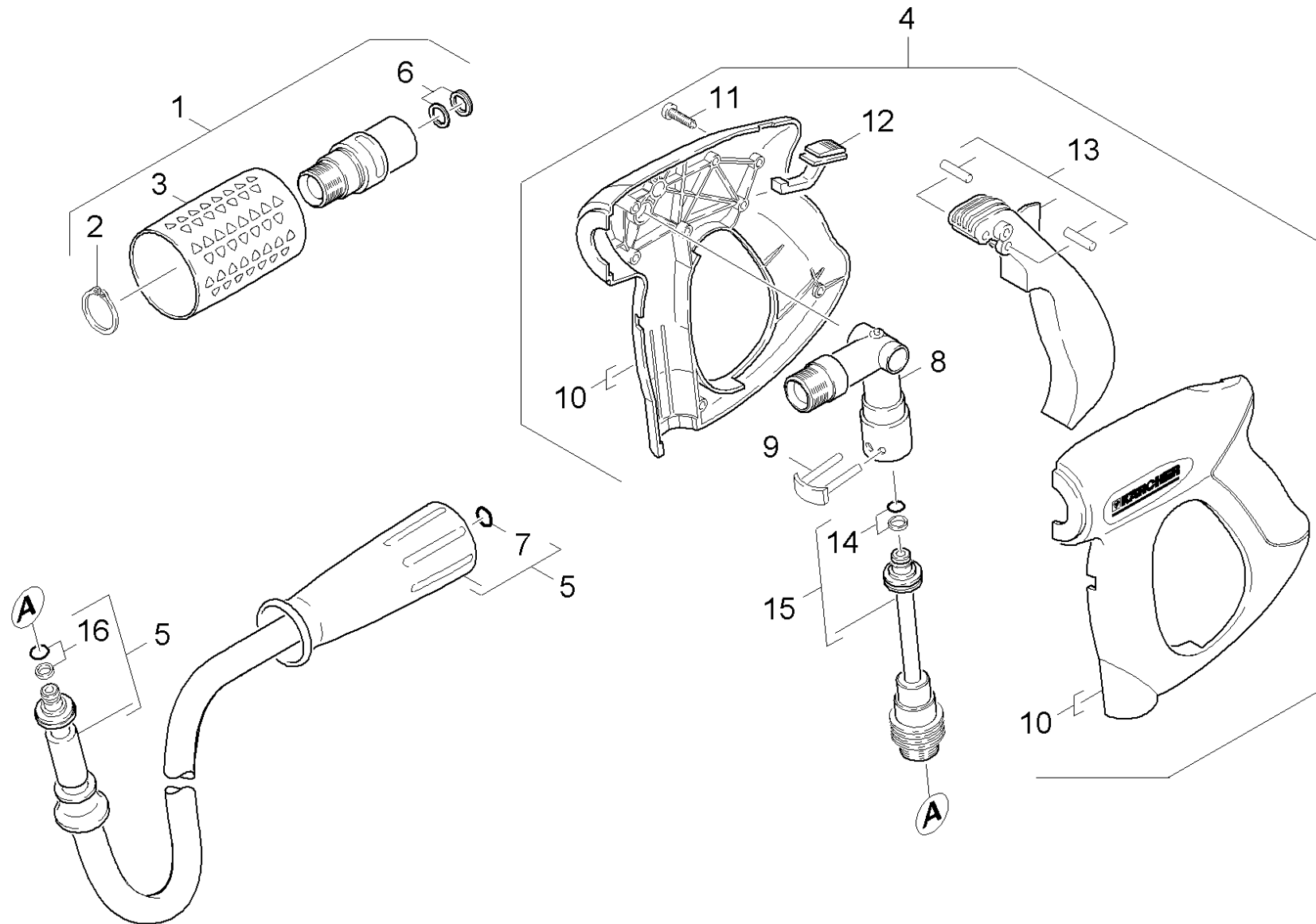


102 Hand trigger gun

Professional \ High pressure cleaner hotwater \ Electric motor \ HDS 7/16 C *EU-II \ Spare parts list HDS 7/16 C/CX \ Accessories \ Hand trigger gun



102 Hand trigger gun

Professional \ High pressure cleaner hotwater \ Electric motor \ HDS 7/16 C *EU-II \ Spare parts list HDS 7/16 C/CX \ Accessories \ Hand trigger gun

KÄRCHER

POS	Article no.	Description	Quantity	Unit
1	4.775-526.0	Rotary controller 270 l	1.000	ST
2	7.343-069.0	Locking ring 25x1,2-1.4122 DIN 471	1.000	ST
3	5.321-668.0	Handle	1.000	ST
4	4.775-466.0	Hand trigger gun	1.000	ST
	Item text1: 1.173-221.0			
5	6.390-185.0	Hose assembly DN8 max.31,5MPa 15m	1.000	ST
6	4.363-695.0	Grooved ring only for replacement	1.000	ST
7	2.880-990.0	Spare part set O-Ring 5x -Kaercher	1.000	ST
8	4.427-215.0	Manifold complete only for replacement	1.000	ST
9	4.037-013.0	Hook	2.000	ST
10	5.321-669.3	Handhold few	1.000	ST
11	7.303-096.0	Screw 4x22 -ST-10.9-R2R (IN6RD)	7.000	ST
12	5.481-331.0	Slider	1.000	ST
13	4.481-209.0	Lever complete	1.000	ST
14	4.363-691.0	O-Ring seal kpl. -nur fuer Ersatz-	1.000	ST
15	4.421-739.3	Adapter pipelines AVS-M22x1,5	1.000	ST
16	4.363-691.0	O-Ring seal kpl. -nur fuer Ersatz-	1.000	ST