

Spare parts list

(1.211-206.0) HD 616 ST-H *EU-II

Table of contents

HD 616 ST-H *EU-II (1.211-206.0)	3
25 Documentation HD 616 ST-H	4
8 Spare parts list HD 6/16 ST-H (5.958-979.0)	5
10 Individual parts	6
20 Suction side	8
40 Circulation pump complete (4.540-136.0)	11
30 Piston	13
40 Delivery side	15
14 Pressure switch (6.630-111.0)	17
50 Motor	18
60 Valve	20
70 Electric control box	22
80 Float tank	25
81 Float chest	26
82 Float tank	28
90 Add-on kit double chemistry	30

HD 616 ST-H *EU-II (1.211-206.0)

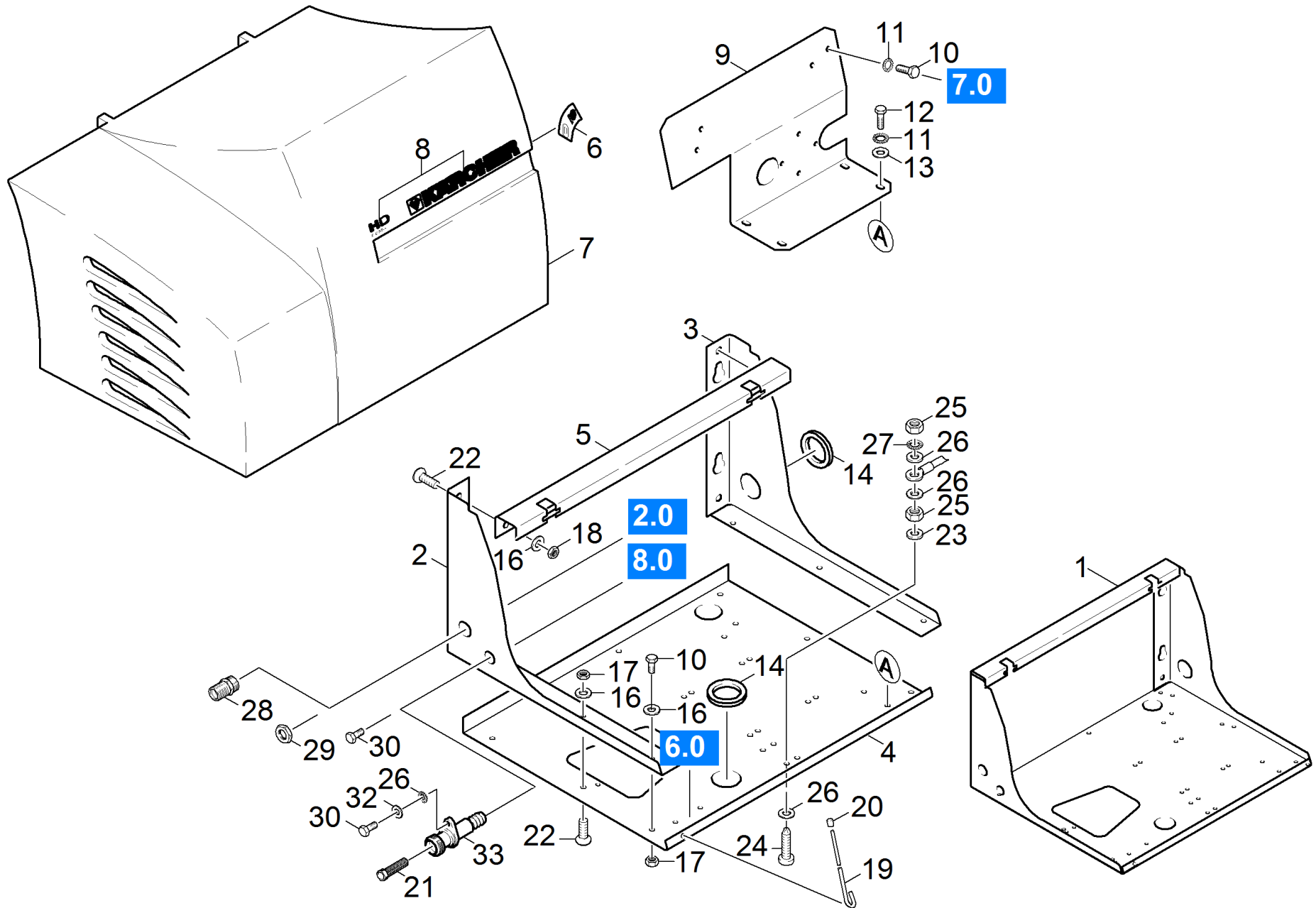
POS	Description	Quantity	Unit
25	Documentation HD 616 ST-H Item text2: 12112060	1	PC

25 Documentation HD 616 ST-H

POS	Article no.	Description	Quantity	Unit
8	5.958-979.0	Spare parts list HD 6/16 ST-H	1	PC
	Item text2: 49512490			

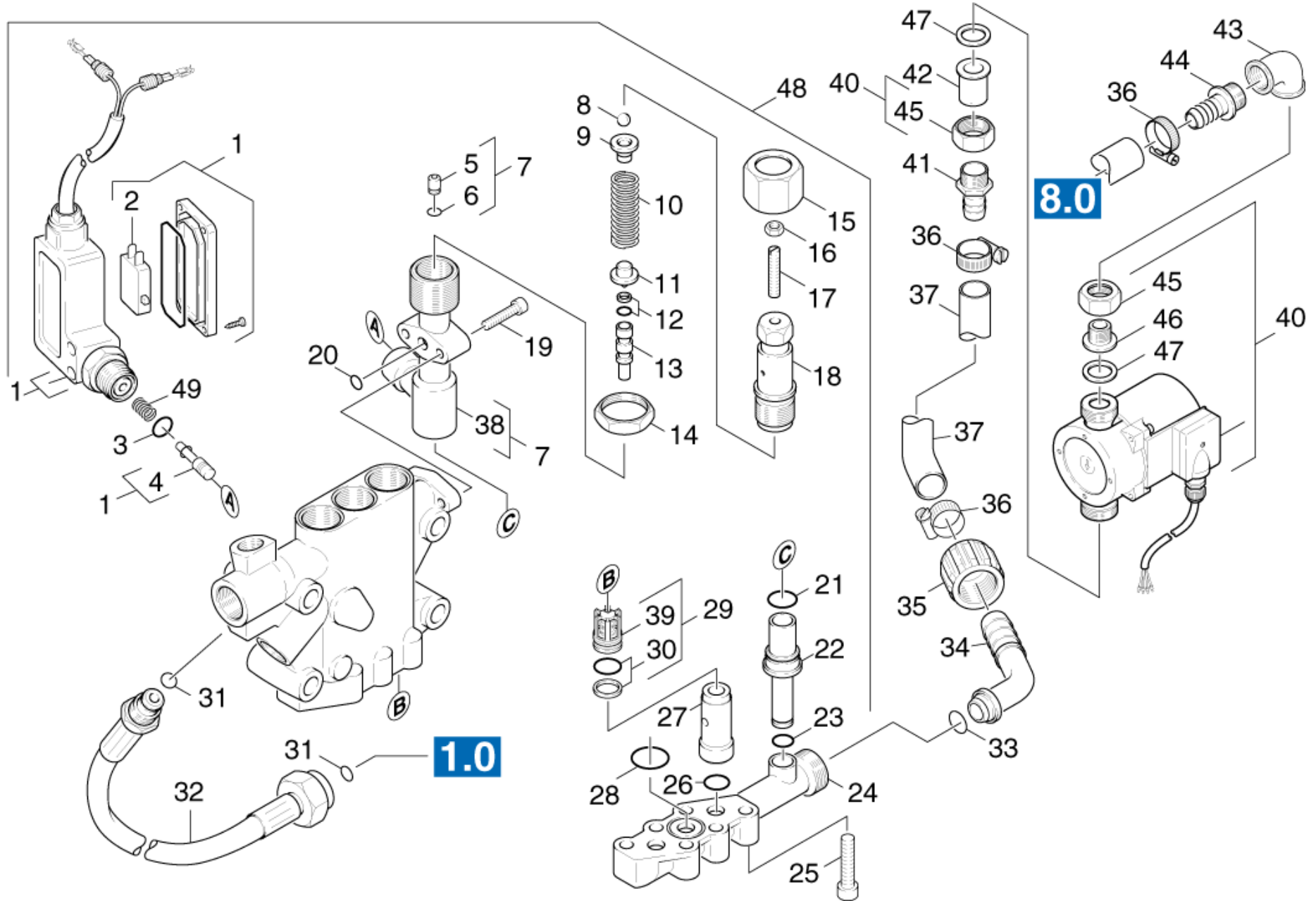
8 Spare parts list HD 6/16 ST-H (5.958-979.0)

POS	Article no.	Description	Quantity	Unit
10		Individual parts	1	PC
20		Suction side	1	PC
30		Piston	1	PC
40		Delivery side	1	PC
50		Motor	1	PC
60		Valve	1	PC
61	5.070-078.0	Tank chemistry	1	PC
70		Electric control box	1	PC
80		Float tank	1	PC
90		Add-on kit double chemistry	1	PC



10 Individual parts

POS	Article no.	Description	Quantity	Unit	Foot note text
1	4.053-122.0	Bracket VA	1	PC	
2	5.059-910.0	Sheet metal component	1	PC	
3	5.059-908.0	Sheet metal component	1	PC	
4	5.059-907.0	Sheet metal component	1	PC	
5	4.039-082.0	Sheet metal component complete stay	1	PC	
6	7.777-999.0	Stockpiling discontinued	1	PC	
7	4.067-023.0	Cover VA	1	PC	
7	5.067-071.0	COVER	1	PC	
8	5.384-693.0	Label	1	PC	
9	4.052-336.0	Stand	1	PC	
10	7.304-395.0	Hexagonal head screw M8x16-8.8-A2E ISO	2	PC	
11	7.312-233.0	Serrated lock washer A8,4-FSt-A3E DIN67	6	PC	
12	7.304-397.0	Hexagonal head screw M8x20-8.8-A2E ISO	4	PC	
13	7.312-277.0	Washer 8-200HV-A2E ISO7093-1	4	PC	
14	6.368-018.0	Edge protection	1	m	TO ORDER AS CUT GOODS
16	7.312-017.0	Washer 8-A2 ISO 7089	6	PC	
17	7.311-068.0	Hexagon nut M 8-A2-70 ISO 4032	6	PC	
19	5.107-207.0	Bar	1	PC	
20	6.641-449.0	Wire protecting sleeve D6	2	PC	
21	6.414-282.0	Strainer	1	PC	
22	7.305-637.0	Countersunk screw M8x16-A2-70 ISO 10642	6	PC	
23	6.600-117.0	Contact disk 6mm	1	PC	
24	7.306-094.0	Screw M6x25 -8.8-R3R (In6Rd)	1	PC	
25	7.311-003.0	Hexagon nut M6 -8-A2E ISO 4032	2	PC	
26	7.312-003.0	Washer 6 -200HV-A3E ISO 7089	3	PC	
27	7.312-232.0	Serrated lock washer A6,4-FSt-A3E DIN 6	1	PC	
28	5.403-011.0	Double connection	1	PC	
29	5.311-086.0	Hexagon nut M22x1,5	1	PC	
30	7.303-048.0	Screw M6x20 -St-R3R (In6Rd)	1	PC	
32	7.312-167.0	Toothed lock washer A6,4-FSt-A3E DIN 6797	1	PC	
33	5.427-123.0	Manifold	1	PC	

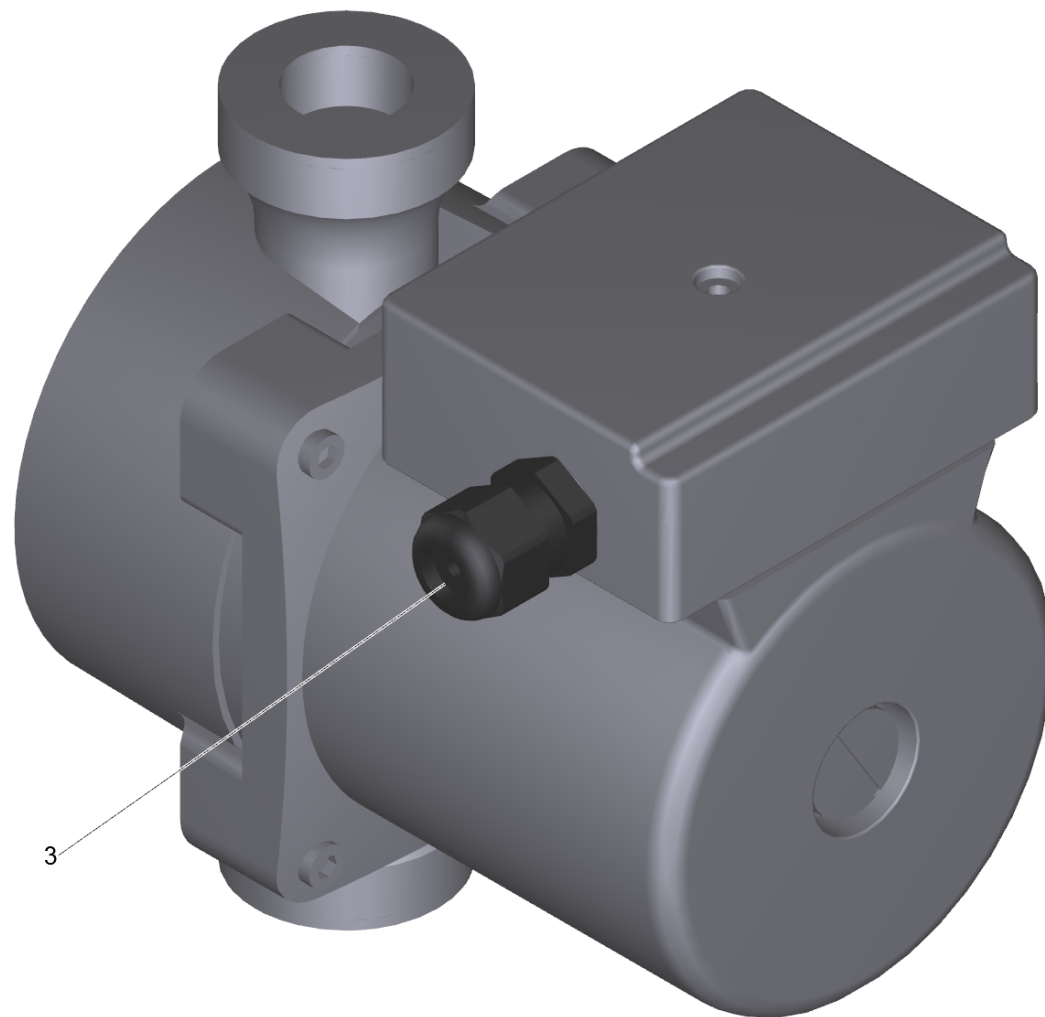


20 Suction side

POS	Article no.	Description	Quantity	Unit
1	6.631-739.0	Pressure switch	1	PC
2	6.631-792.0	Switch	1	PC
3	2.880-154.0	O-Ring kit	1	PC
4	6.630-038.0	Piston complete	1	PC
5	5.581-143.0	Valve seat	1	PC
6	6.362-703.0	O-Ring seal 6,0x1,5-NBR 70	1	PC
7	4.060-302.0	Housing complete only for replacement	1	PC
8	7.401-918.0	Sphere 6 G300 -1.4301 DIN 5401	1	PC
9	5.582-103.0	Valve disc	1	PC
10	5.332-285.0	Helical spring	1	PC
11	5.584-077.0	Valve pin	1	PC
12	6.362-953.0	O-Ring seal complete	1	PC
13	5.553-365.0	Piston	1	PC
14	5.311-165.0	Hexagon nut M30x1,5	1	PC
15	5.311-164.0	Hexagon nut	1	PC
16	7.311-003.0	Hexagon nut M6 -8-A2E ISO 4032	1	PC
17	7.307-418.0	Threaded pin M6x35 -St-45H-A2E ISO 4026	1	PC
18	5.304-061.0	Hexagonal head screw	1	PC
19	7.306-105.0	Screw M6x30 -8.8-R3R (In6Rd)	2	PC
20	6.362-482.0	O-Ring seal 10 x 1,5-NBR 70	1	PC
21	6.362-534.0	O-Ring seal 18,0 X 2,0-NBR 70	1	PC
22	5.402-644.0	Connection piece	1	PC
23	6.362-797.0	O-Ring seal 9,0 X 2,0	1	PC
24	5.587-141.0	Valve housing	1	PC
25	7.306-044.0	Cylinder head screw M8x35 -8.8-A2E ISO4	6	PC
26	6.362-153.0	O-Ring seal 15,3 X 2,4-NBR 70	2	PC
27	5.110-518.0	Sleeve	2	PC
28	6.362-547.0	O-Ring seal 20,0x1,5-NBR 70	1	PC
29	2.884-906.0	TRIPLE VALVE	2	PC
30	4.363-693.0	O-Ring seal kpl. -nur fuer Ersatz-	3	PC
31	6.362-392.0	O-Ring seal 10,0 X 2,0	2	PC
32	6.389-568.0	High pressure hose DN 8	1	PC
33	6.362-078.0	O-Ring seal 13,3x2,4	1	PC

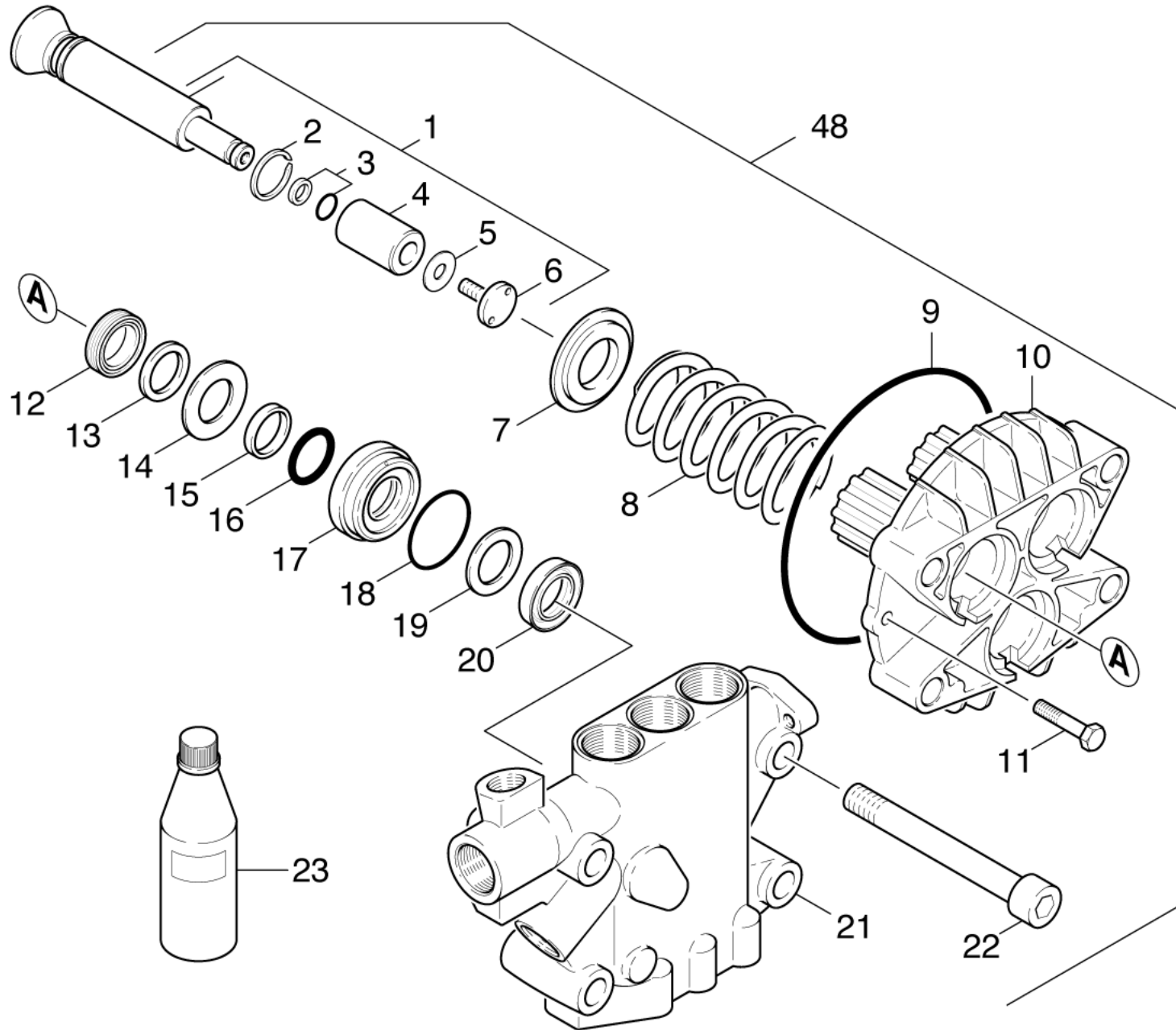
20 Suction side

POS	Article no.	Description	Quantity	Unit
34	5.443-211.0	Hose stem	1	PC
35	5.310-062.0	Nut	1	PC
36	6.388-508.0	Hose clip 28/ 15	3	PC
37	6.388-157.0	Hose DN19	1	m
38	5.060-424.0	Housing	1	PC
39	7.777-999.0	Stockpiling discontinued	3	PC
40	4.540-136.0	Circulation pump complete	1	PC
41	6.388-612.0	Hose stem R3/4"	1	PC
42	6.386-719.0	Insert 3/4"	1	PC
43	7.387-095.0	Angle A1-1"-RG5 EN 10242	1	PC
44	6.388-696.0	Hose stem 1"	1	PC
45	6.386-232.0	Union nut 1 1/4Z	2	PC
46	6.473-142.0	Insert	1	PC
47	6.362-033.0	Joint ring 27X38X2	2	PC
48	3.532-729.0	Pump set HD 600 C	1	PC
49	6.330-202.0	Pressure spring 8 bar	1	PC
100	2.883-879.0	Pump set	1	PC



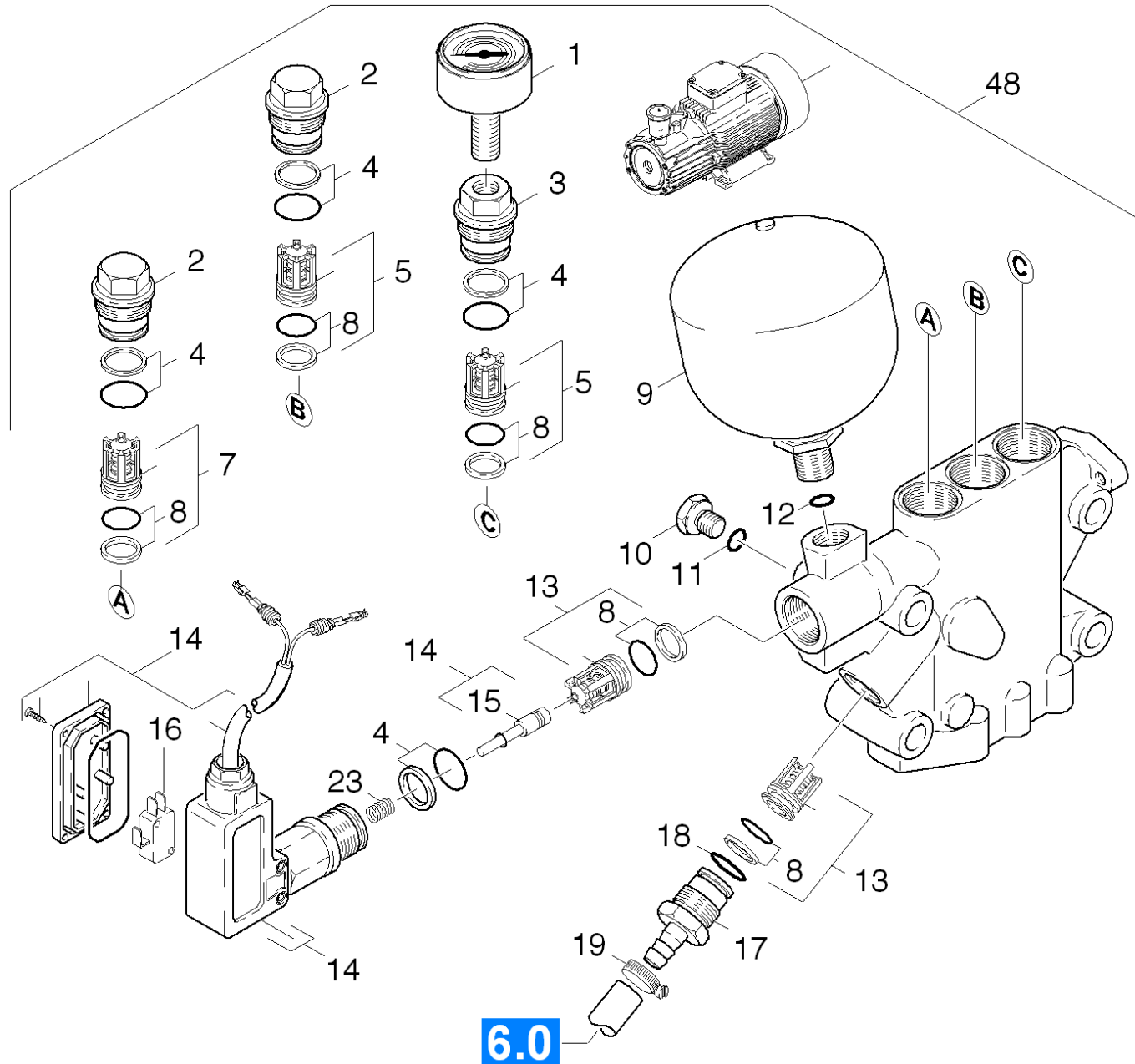
40 Circulation pump complete (4.540-136.0)

POS	Article no.	Description	Quantity	Unit
3	6.641-357.0	Cable gland PG11	1	PC



30 Piston

POS	Article no.	Description	Quantity	Unit
1	4.553-075.0	Piston complete	3	PC
2	6.472-331.0	Snap ring 20	1	PC
3	6.362-365.0	O-Ring seal complete 1ST.-R.- 7,65X 1,7	1	PC
4	5.110-220.3	Sleeve ceramic	1	PC
5	5.363-162.0	Joint ring	1	PC
6	5.305-111.0	Shaped screw	1	PC
7	5.115-539.0	Washer	3	PC
8	5.332-289.0	Helical spring	3	PC
9	6.363-008.0	O-Ring seal 107,62X 2,62-NBR 88	1	PC
10	5.060-432.0	Housing	1	PC
11	7.306-133.0	Screw M6x50 -8.8-R3R (In6Rd)	2	PC
12	6.365-436.0	Grooved ring 20X28X7/6	3	PC
13	5.363-484.0	Joint ring	3	PC
14	5.115-750.0	Washer pipe jacket	3	PC
15	5.363-232.0	Joint ring	3	PC
16	6.362-614.0	O-Ring seal 21,0 X 4,0-FPM 83 VITON	3	PC
17	5.112-577.0	Bush	3	PC
18	6.363-009.0	O-Ring seal 34,65X1,78-NBR 88	3	PC
19	6.365-437.0	Supportring D30XD20X1,9	3	PC
20	6.365-330.0	Grooved ring	3	PC
21	5.550-192.0	Cylinder head	1	PC
22	7.306-155.0	Cylinder head screw M12x100 -8.8-A3E IS	4	PC
23	6.288-061.0	Engine oil SAE 50	1	l
48	3.532-729.0	Pump set HD 600 C	1	PC
	Item text1: / 1.211-205.0 / -206.0			
100	2.883-879.0	Pump set	1	PC

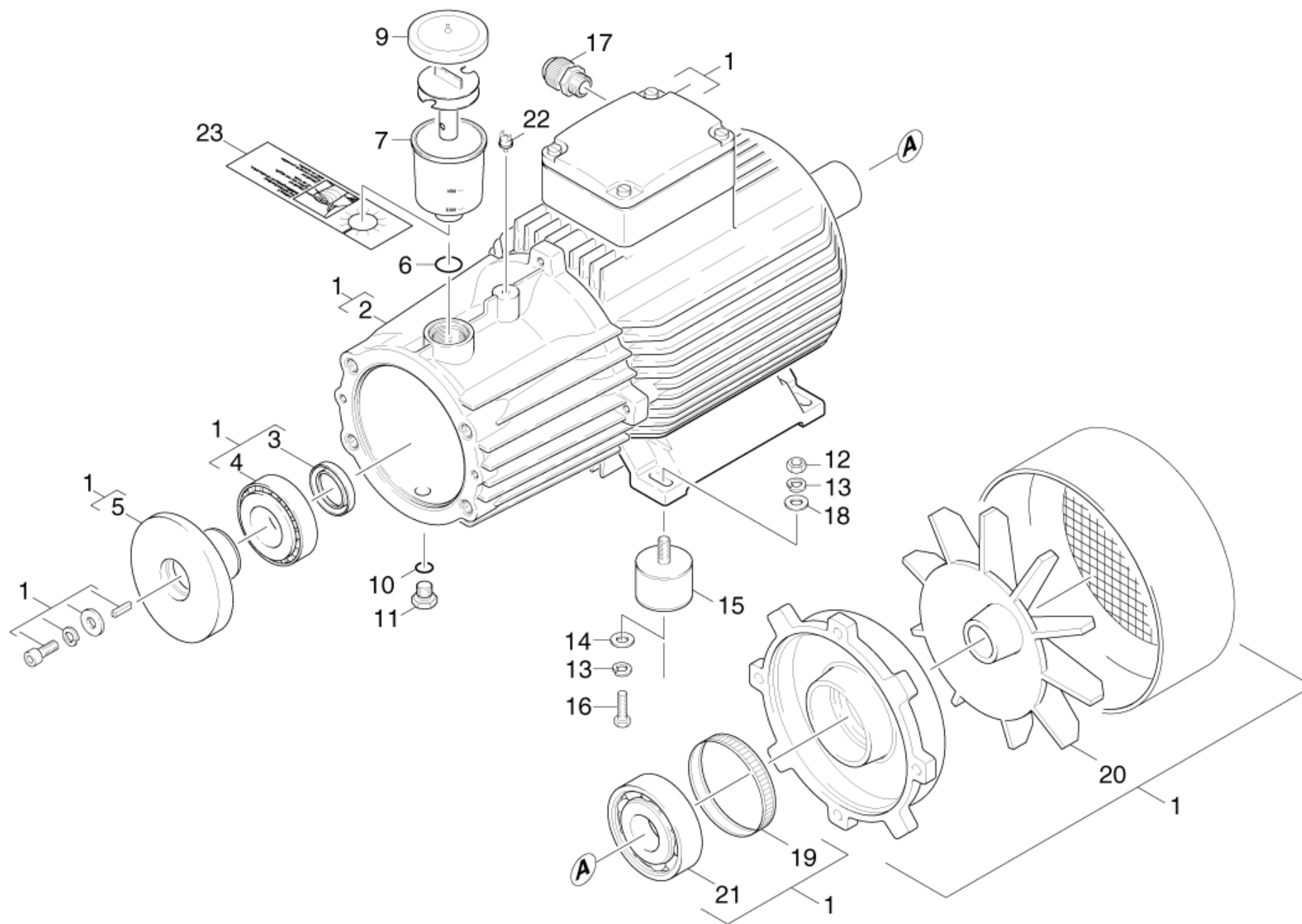


40 Delivery side

POS	Article no.	Description	Quantity	Unit	Foot note text
1	6.421-101.0	Pressure gauge 0-25MPa	1	PC	
2	5.583-125.0	Valve screw	2	PC	
3	5.402-549.0	Connection piece	1	PC	
4	6.362-500.0	O-Ring seal complete /1ST.-R.	4	PC	
5	2.884-906.0	TRIPLE VALVE	2	PC	SET WITH 3 PIECES
7	4.580-237.0	Valve complete	1	PC	
8	4.363-693.0	O-Ring seal kpl. -nur fuer Ersatz-	5	PC	
9	6.505-050.0	Pressure accumulator 7,5MPa	1	PC	
10	7.382-231.0	Screw plug M10x1-A-CuZn DIN7604	1	PC	
11	7.362-003.0	Joint ring A10x13,5 -Cu DIN 7603	1	PC	
12	6.362-176.0	O-Ring seal 6,07x1,78	1	PC	
13	2.884-903.0	Valve (2 Stück)	1	PC	SET OF 2 PIECES
14	6.630-111.0	Pressure switch	1	PC	
15	6.630-038.0	Piston complete	1	PC	
16	6.631-792.0	Switch	1	PC	
17	5.443-336.0	Hose stem	1	PC	
18	6.362-481.0	O-Ring seal 14,0 x 2,0 NBR 80	1	PC	
19	7.373-019.0	Hose clip A 10-16x9-W4 DIN3017	1	PC	
23	6.330-204.0	Pressure spring 30 bar	1	PC	
48	3.532-729.0	Pump set HD 600 C	1	PC	
100	2.883-879.0	Pump set	1	PC	

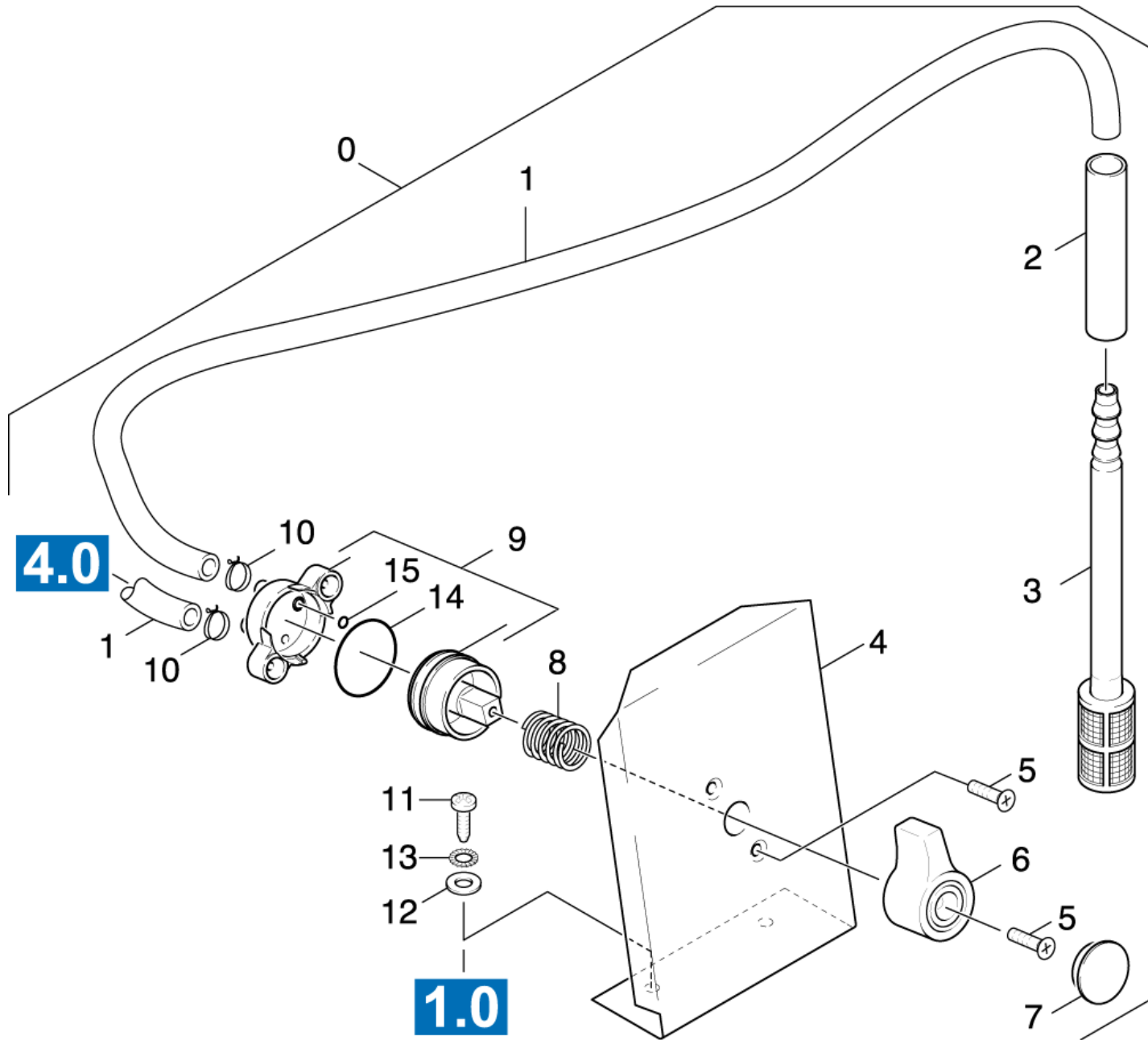
14 Pressure switch (6.630-111.0)

POS	Article no.	Description	Quantity	Unit
999	6.330-204.0	Pressure spring 30 bar	1	PC



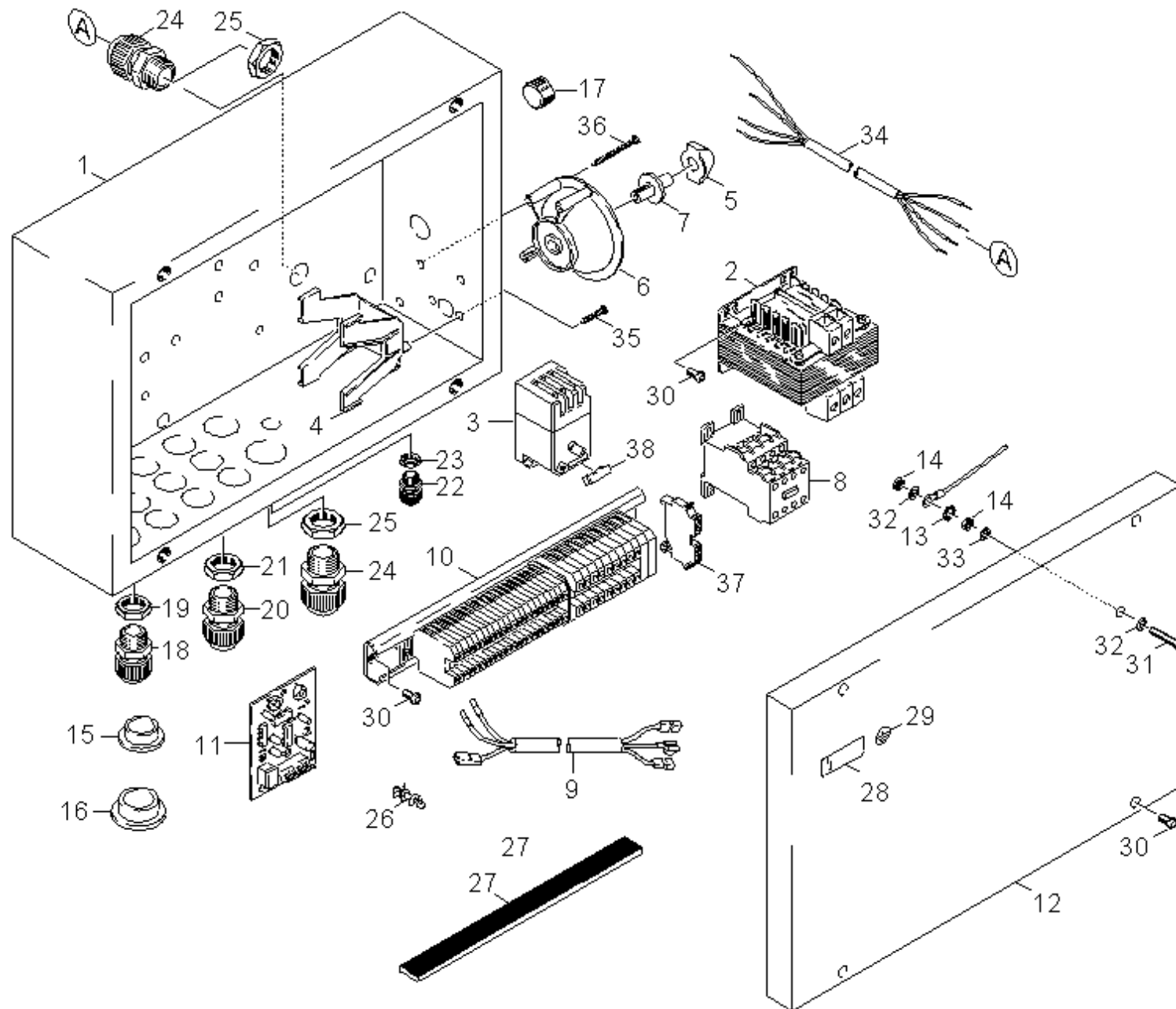
50 Motor

POS	Article no.	Description	Quantity	Unit
1	6.611-799.0	Electric motor 3,5kW 400/230V	1	PC
	Item text1: / 1.211-205.0 / -206.0			
2	5.060-538.0	Housing 24V/30A	1	PC
3	7.367-012.0	Radial shaft seal ring A35x52x7 -FKM DIN	1	PC
4	6.401-225.3	Taper roller bearing 41	1	PC
5	5.120-316.0	Wobble plate	1	PC
	Item text1: / 1.211-205.0 / -206.0			
6	6.363-010.0	O-Ring seal 22,3 X 2,4-NBR 88	1	PC
7	5.070-195.0	Tank	1	PC
8	5.031-129.0	Moulded part	1	PC
9	5.063-655.0	Cover	1	PC
10	6.363-011.0	O-Ring seal 11,0 X 2,0	1	PC
11	5.411-100.0	Screw plug	1	PC
12	7.311-004.0	Hexagon nut M8 -8-A3E ISO 4032	4	PC
13	7.312-233.0	Serrated lock washer A8,4-FSt-A3E DIN67	8	PC
14	7.312-004.0	Washer 8 -200HV-A3E ISO 7089	4	PC
15	6.339-171.0	Rubber buffer	4	PC
16	7.304-395.0	Hexagonal head screw M8x16-8.8-A2E ISO	4	PC
17	6.648-394.0	Cable gland grey M32x1,5	1	PC
18	7.312-277.0	Washer 8-200HV-A2E ISO7093-1	4	PC
19	6.343-010.0	Tolerance ring 62x10	1	PC
20	6.611-247.0	Blower wheel	1	PC
21	7.401-132.0	Ball bearing 6206-2Z-WAELZLAGST DIN 625	1	PC
23	5.386-456.0	Label	1	PC



60 Valve

POS	Article no.	Description	Quantity	Unit
0	4.580-351.0	Valve complete	1	PC
1	6.388-194.0	Hose DN 7	2	m
2	5.025-747.0	Tube	1	PC
3	6.414-136.0	Filter	1	PC
4	5.048-426.0	Sheet metal component	1	PC
5	7.303-125.0	Countersunk screw 4x16 -10.9-R2R (In6Rd	3	PC
6	5.321-067.0	Handhold	1	PC
7	5.132-010.0	Plug	1	PC
8	5.332-028.0	Helical spring	1	PC
9	4.580-102.0	Valve	1	PC
10	6.388-560.0	Hose clip	2	PC
11	7.303-038.0	Screw M5x12 -St-P2R (In6Rd)	2	PC
12	7.312-002.0	Washer 5-200HV-A3E ISO 7089	2	PC
13	7.312-231.0	Serrated lock washer A5,3 -FSt-A3E DIN6	2	PC
14	6.362-385.0	O-Ring seal 26,0 X 2,5-NBR 70	1	PC
15	6.362-386.0	O-Ring seal 5,0 x 1,5-NBR 80	1	PC



70 Electric control box

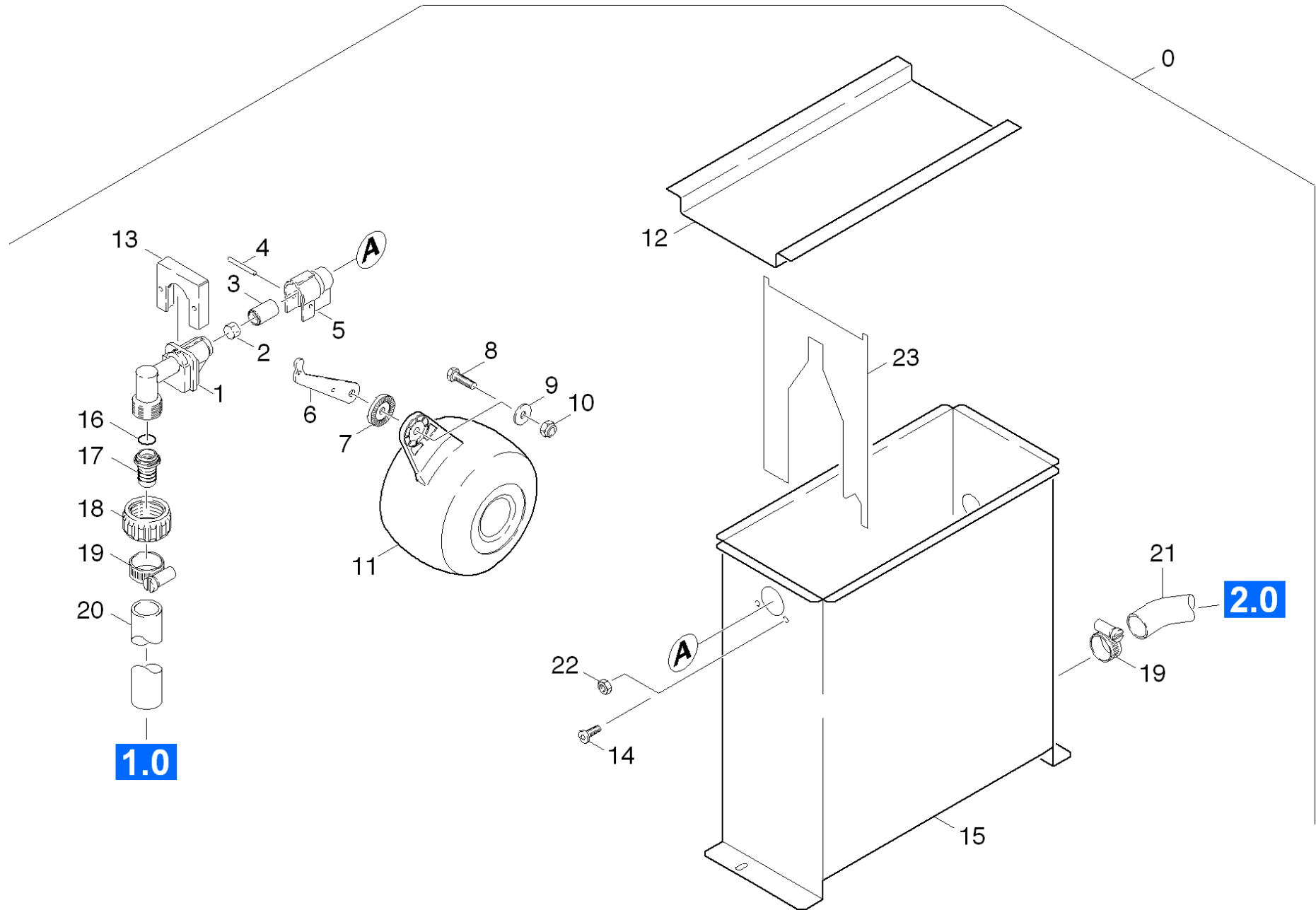
POS	Article no.	Description	Quantity	Unit	Foot note text
1	5.060-961.0	Housing	1	PC	
2	6.622-021.0	Control transformer 40VA	1	PC	
3	6.631-190.0	Motor protecting switch	1	PC	
	Item text1: / 1.211-205.0				
3	6.631-196.0	Motor protecting switch	1	PC	
	Item text1: / 1.211-206.0				
4	5.044-412.0	Holder (CONDOR-SCHAER)	1	PC	
5	5.321-633.0	Handhold	1	PC	
6	5.031-635.0	Moulded part	1	PC	
7	5.100-335.0	Shaft switch CONDOR	1	PC	
8	6.632-356.0	Contacteur LC1-D18 B7	1	PC	
9	2.820-164.0	Cable set	1	PC	
	Item text1: / 1.211-206.0				
9	2.820-163.0	Cable set	1	PC	
	Item text1: / 1.211-205.0				
10	6.643-845.0	Strip terminal	1	PC	
11	6.631-538.0	Timer module	1	PC	
12	5.063-866.0	Cover	1	PC	
13	7.312-232.0	Serrated lock washer A6,4-FSt-A3E DIN 6	2	PC	
14	7.311-003.0	Hexagon nut M6 -8-A2E ISO 4032	4	PC	
15	6.368-027.0	Protecting cap	7	PC	
16	6.368-028.0	Protecting cap 26,5	2	PC	
17	6.368-124.0	Plug D 22	1	PC	
18	6.648-399.0	Cable gland black M16x1,5	2	PC	
19	6.648-415.0	Locknut black M16	2	PC	
20	6.648-400.0	Cable gland black M20x1,5	1	PC	
21	6.648-416.0	Locknut black M20	1	PC	
22	6.648-398.0	Cable gland black M12x1,5	1	PC	
23	6.648-414.0	Locknut black M12	1	PC	
24	6.648-401.0	Cable gland black M25X1,5	2	PC	
25	6.648-206.0	Locknut black M25	2	PC	
26	6.646-269.0	Distance pin	3	PC	
27	6.273-042.0	Sealing tape 19x4	1	m	TO ORDER AS CUT GOODS

70 Electric control box

POS	Article no.	Description	Quantity	Unit	Foot note text
28	5.388-445.0	Label	1	PC	
29	6.643-145.0	Label earthing	2	PC	
30	7.303-037.0	Screw M5x10 -St-P2R (In6Rd)	4	PC	
30	7.303-031.0	Screw M4x10 -St-P2R (In6Rd)	8	PC	
31	7.306-094.0	Screw M6x25 -8.8-R3R (In6Rd)	3	PC	
32	7.312-003.0	Washer 6 -200HV-A3E ISO 7089	6	PC	
33	6.600-117.0	Contact disk 6mm	3	PC	
34	4.822-066.0	Cable 4x2,5mm ²	1	PC	
	Item text1: 1.112-206.0				
34	4.822-731.0	Cable 5x2,5mm ²	1	PC	
	Item text1: 1.112-205.0				
35	7.303-125.0	Countersunk screw 4x16 -10.9-R2R (In6Rd)	2	PC	
36	7.303-035.0	Screw M4x30 -St-R2R (In6Rd)	4	PC	
37	6.643-784.0	Modular terminal 2-leiter	1	PC	
	Item text1: 1.112-205.0				
38	6.630-049.0	Cap	1	PC	

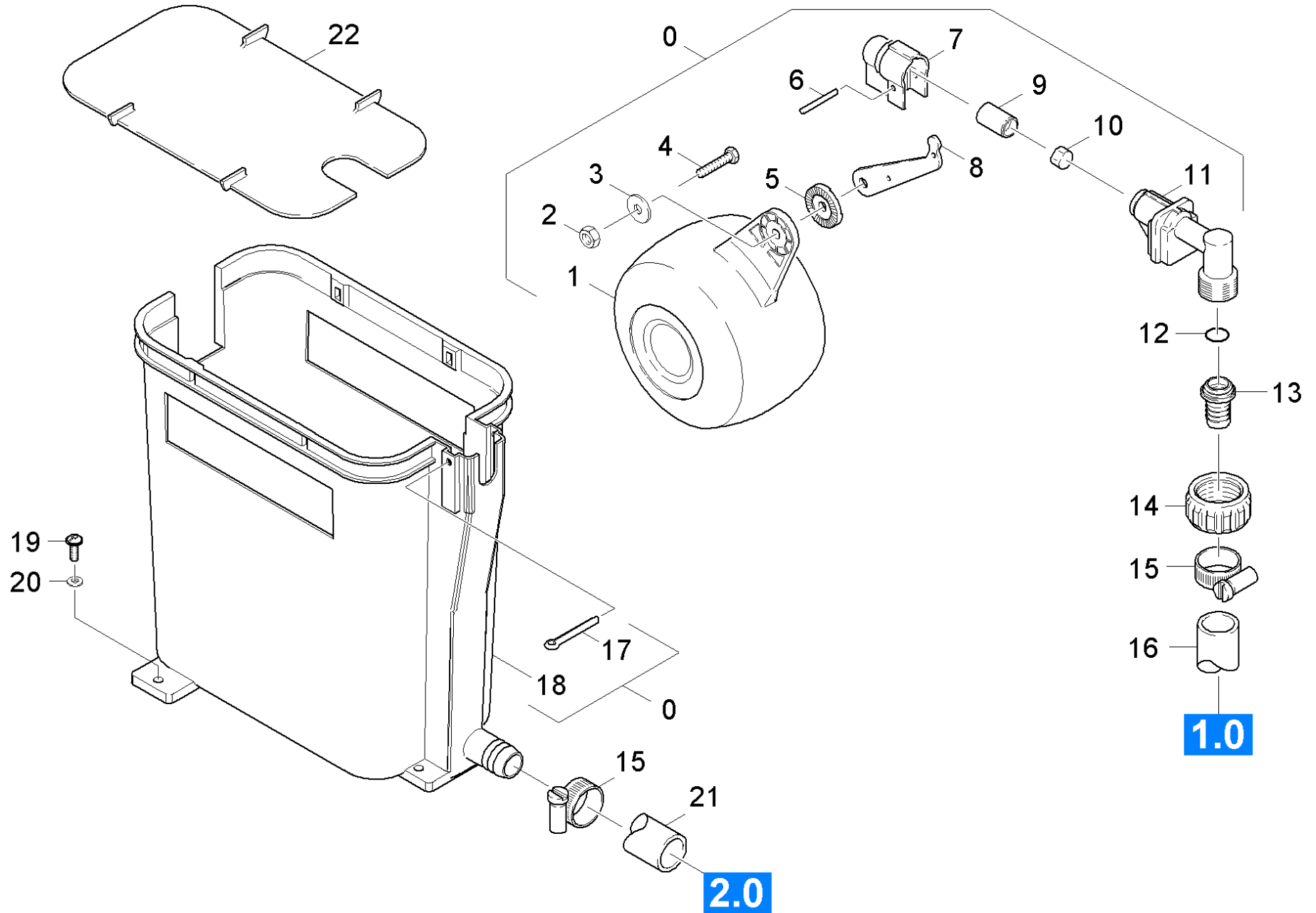
80 Float tank

POS	Description	Quantity	Unit	Remark
81	Float chest	1	PC	VERSION 1
82	Float tank	1	PC	VERSION 2



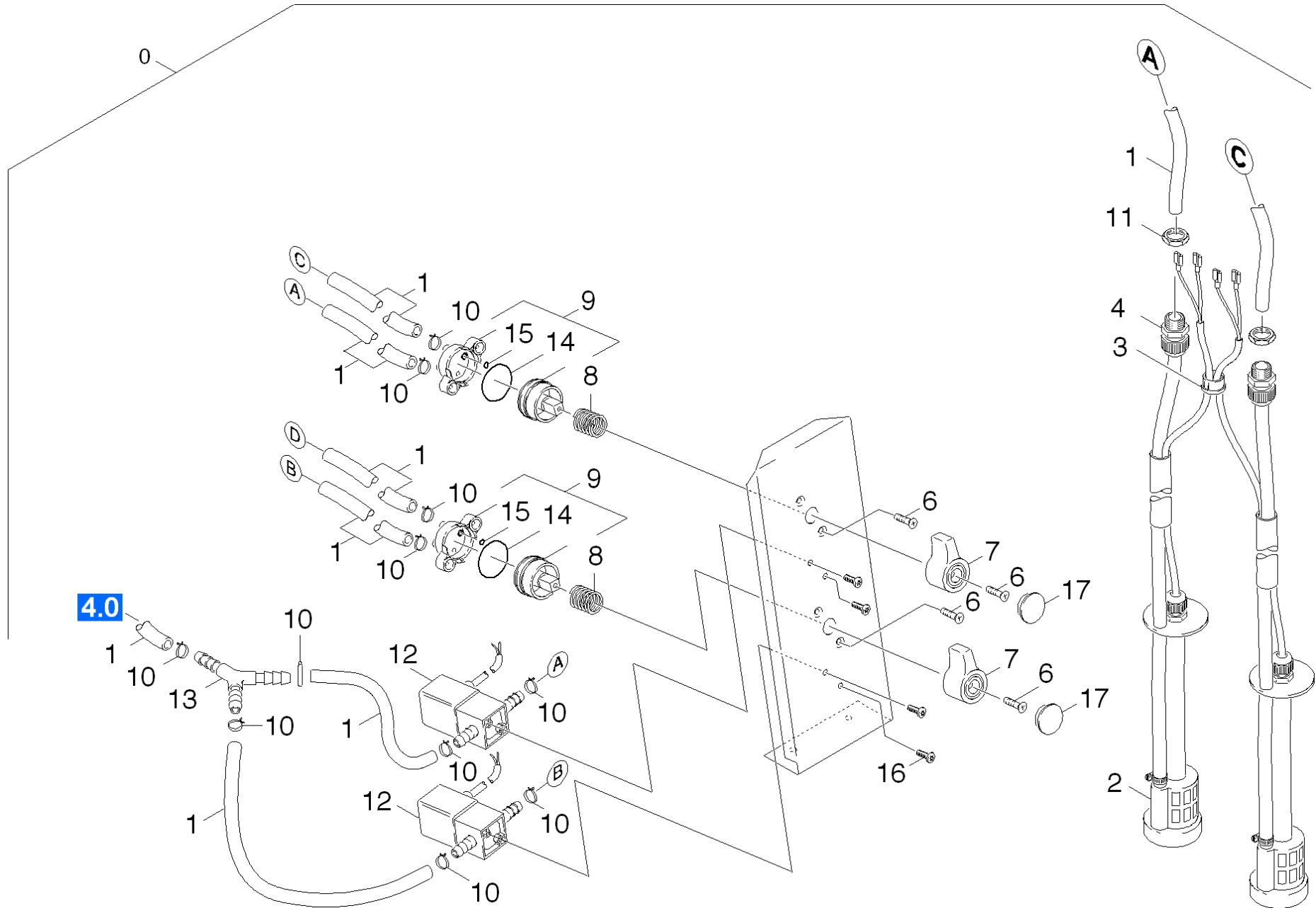
81 Float chest

POS	Article no.	Description	Quantity	Unit	Foot note text
0	3.593-113.0	Float tank	1	PC	
1	5.587-103.0	Valve housing	1	PC	
2	5.364-095.0	Flat gasket	1	PC	
3	5.584-026.0	Valve pin	1	PC	
4	7.316-013.0	Cotter 3,2x32-A ISO 1234	1	PC	
5	5.394-066.0	Protection part	1	PC	
6	5.481-029.0	Lever	1	PC	
7	5.115-158.0	Washer	1	PC	
8	7.306-194.0	Screw M6x20 -A2-70 (In6Rd) ISO 14583	1	PC	
9	7.312-279.0	Washer 6-CuZn ISO 7093-1	1	PC	
10	7.311-422.0	Hexagon nut M 6-1.4305 ISO 10511	1	PC	
11	5.585-024.0	Float	1	PC	
12	5.048-655.0	Sheet metal component filter HDR 777	1	PC	
13	5.044-624.0	Holder	1	PC	
14	7.306-206.0	Screw M4x10 -A2-70 ISO 14583	2	PC	
15	4.070-452.0	Tank	1	PC	
16	6.362-078.0	O-Ring seal 13,3x2,4	1	PC	
17	5.443-224.0	Hose stem	1	ZST	
18	5.310-173.0	Nut R 3/4"	1	PC	
19	6.388-547.0	Hose clip	2	PC	
20	6.388-924.0	Water hose DN16	1	m	TO ORDER AS CUT GOODS
21	6.388-976.0	Hose	1	m	TO ORDER AS CUT GOODS
22	7.311-516.0	Hexagon nut M 4-A2-70 DIN 985	2	PC	
23	5.050-197.0	Sheet metal component	1	PC	



82 Float tank

POS	Article no.	Description	Quantity	Unit
0	4.593-024.0	Float valve	1	PC
1	5.585-024.0	Float	1	PC
2	7.311-422.0	Hexagon nut M 6-1.4305 ISO 10511	1	PC
3	7.312-279.0	Washer 6-CuZn ISO 7093-1	1	PC
4	7.306-194.0	Screw M6x20 -A2-70 (In6Rd) ISO 14583	1	PC
5	5.115-158.0	Washer	1	PC
6	7.316-004.0	Bolt A 3x25 -CuZn ISO 2340	1	PC
7	5.394-066.0	Protection part	1	PC
8	5.481-029.0	Lever	1	PC
9	5.584-026.0	Valve pin	1	PC
10	5.364-095.0	Flat gasket	1	PC
11	5.587-103.0	Valve housing	1	PC
12	6.362-078.0	O-Ring seal 13,3x2,4	1	PC
13	5.443-224.0	Hose stem	1	ZST
14	5.310-062.0	Nut	1	PC
15	6.388-547.0	Hose clip	2	PC
16	6.388-924.0	Water hose DN16	2	m
17	7.316-432.0	Cotter 4x50 -St-A2E ISO 1234	1	PC
18	5.070-076.0	Tank	1	PC
19	7.303-039.0	Screw M5x16 -St-P2R (In6Rd)	2	PC
20	7.312-278.0	Washer 5-200HV-A2E ISO7093-1	2	PC
21	6.388-976.0	Hose	1	m
22	5.063-243.0	Cover	1	PC



90 Add-on kit double chemistry

POS	Article no.	Description	Quantity	Unit
0	2.640-233.0	Add-on kit chemistry 2x	1	PC
1	6.388-194.0	Hose DN 7	1	m
2	4.747-047.0	Level probe	2	PC
3	6.641-494.0	Wire protecting sleeve	2	PC
4	6.648-435.0	Cable gland grey M25x1,5	2	PC
5	6.648-409.0	Locknut grey M25	2	PC
6	7.303-125.0	Countersunk screw 4x16 -10.9-R2R (In6Rd	3	PC
7	5.321-067.0	Handhold	2	PC
8	5.332-028.0	Helical spring	2	PC
9	4.580-102.0	Valve	2	PC
10	6.388-560.0	Hose clip	8	PC
11	6.648-409.0	Locknut grey M25	2	PC
12	6.686-114.0	Solenoid valve	2	PC
13	6.388-761.0	Y-Bushing 8	1	PC
14	6.362-385.0	O-Ring seal 26,0 X 2,5-NBR 70	2	PC
15	6.362-386.0	O-Ring seal 5,0 x 1,5-NBR 80	2	PC
16	7.303-081.0	Sheet metal screw ST4,2X13-A2-70-SCHW (I	4	PC
17	5.132-010.0	Plug	2	PC