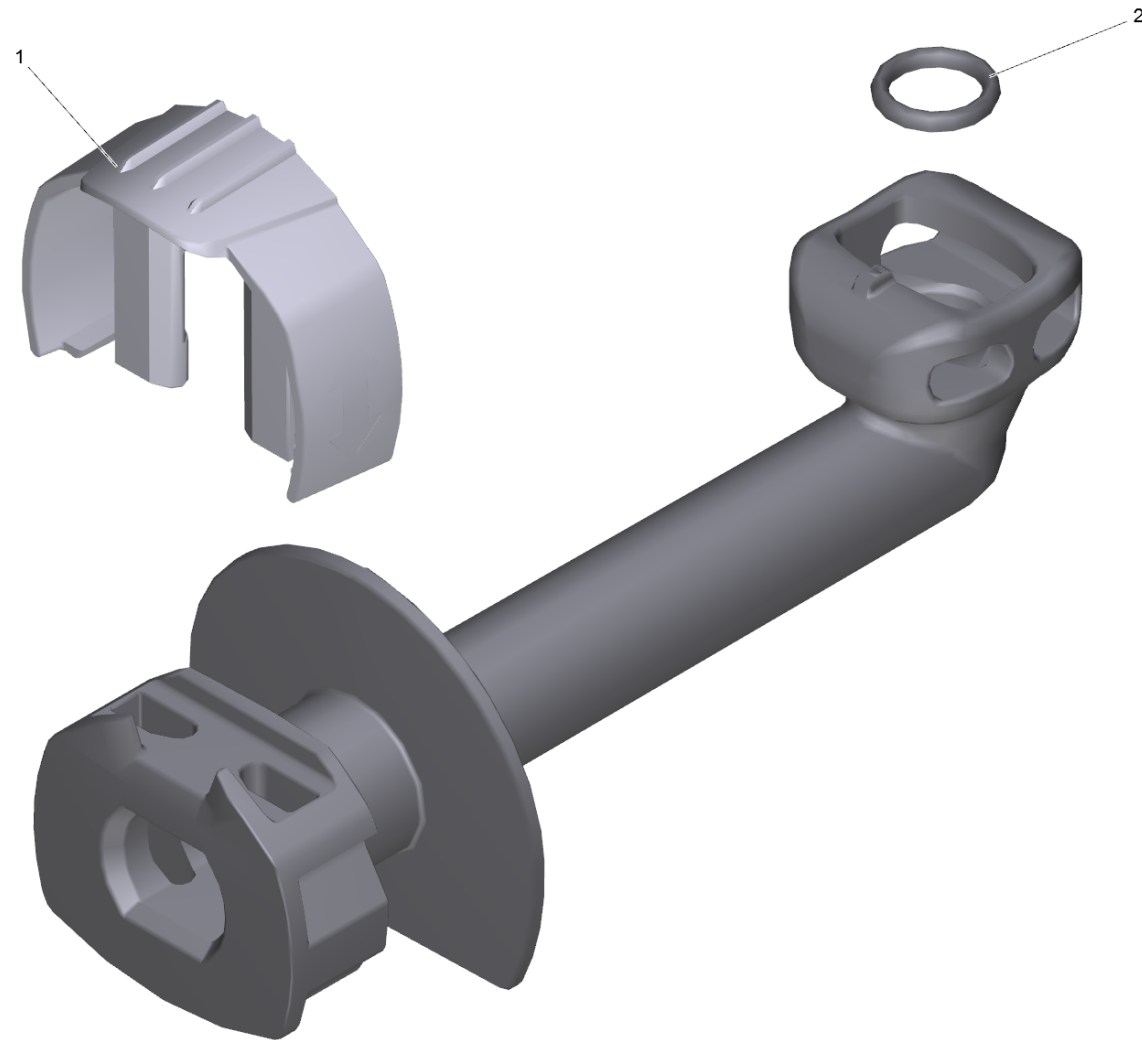


## 902 High-pressure outlet with clamp for repl (4.064-047.0)

Home and Garden \ High pressure cleaner cold water \ Electric motor \ K 3 \ K 3 \*EU \ Spare parts list K3 \*EU (2017) \ Pump set RV upr. K3 \*EU (0,8kW) QC \ High-pressure outlet with clamp for repl



## 902 High-pressure outlet with clamp for repl (4.064-047.0)

Home and Garden \ High pressure cleaner cold water \ Electric motor \ K 3 \ K 3 \*EU \ Spare parts list K3 \*EU (2017) \ Pump set RV upr. K3 \*EU (0,8kW) QC \ High-pressure outlet with clamp for repl



POS	Article no.	Description	Quantity	Unit
1	5.037-463.0	Clamp for high-pressure outlet	1.000	ST
2	6.362-113.0	O-Ring seal 6,0 x 2,0 NBR 70	1.000	ST