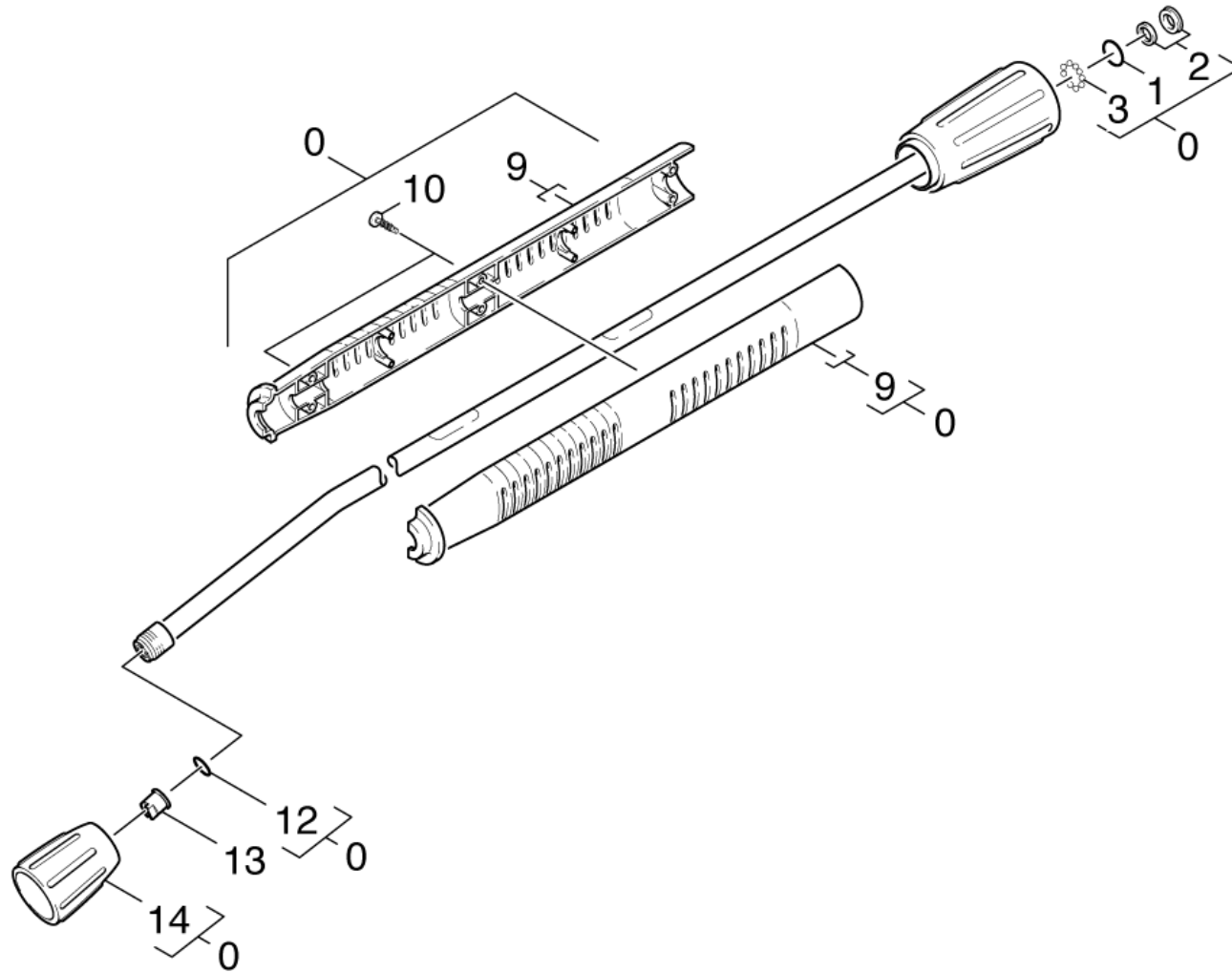


# 115 Jet pipe

Professional \ High pressure cleaner hotwater \ Electric motor \ H 2600 \*EU \ Spare parts list H\_2600 \ Accessories \ Jet pipe



## 115 Jet pipe

Professional \ High pressure cleaner hotwater \ Electric motor \ H 2600 \*EU \ Spare parts list H\_2600 \ Accessories \ Jet pipe

**KÄRCHER**

POS	Article no.	Description	Quantity	Unit
2	4.363-692.0	Grooved ring kpl. -nur fuer Ersatz-	1.000	ST
9	5.321-524.0	Handhold few neutrally	1.000	ZSA
0	4.760-493.0	Jet pipe complete neutrally 1050mm	1.000	ST
12	2.880-154.0	O-Ring kit	1.000	ST
1	6.362-524.0	O-Ring seal 17,0 X 1,5	1.000	ST
10	6.303-025.0	Oval head screw 4,2x16-St-vz	6.000	ST
13	2.883-397.0	Power nozzle 25040	1.000	ST
14	5.401-129.0	Screw connector part	1.000	ST
3	7.401-915.0	Sphere 2,5 G20 -1.4034 DIN 5401	20.000	ST