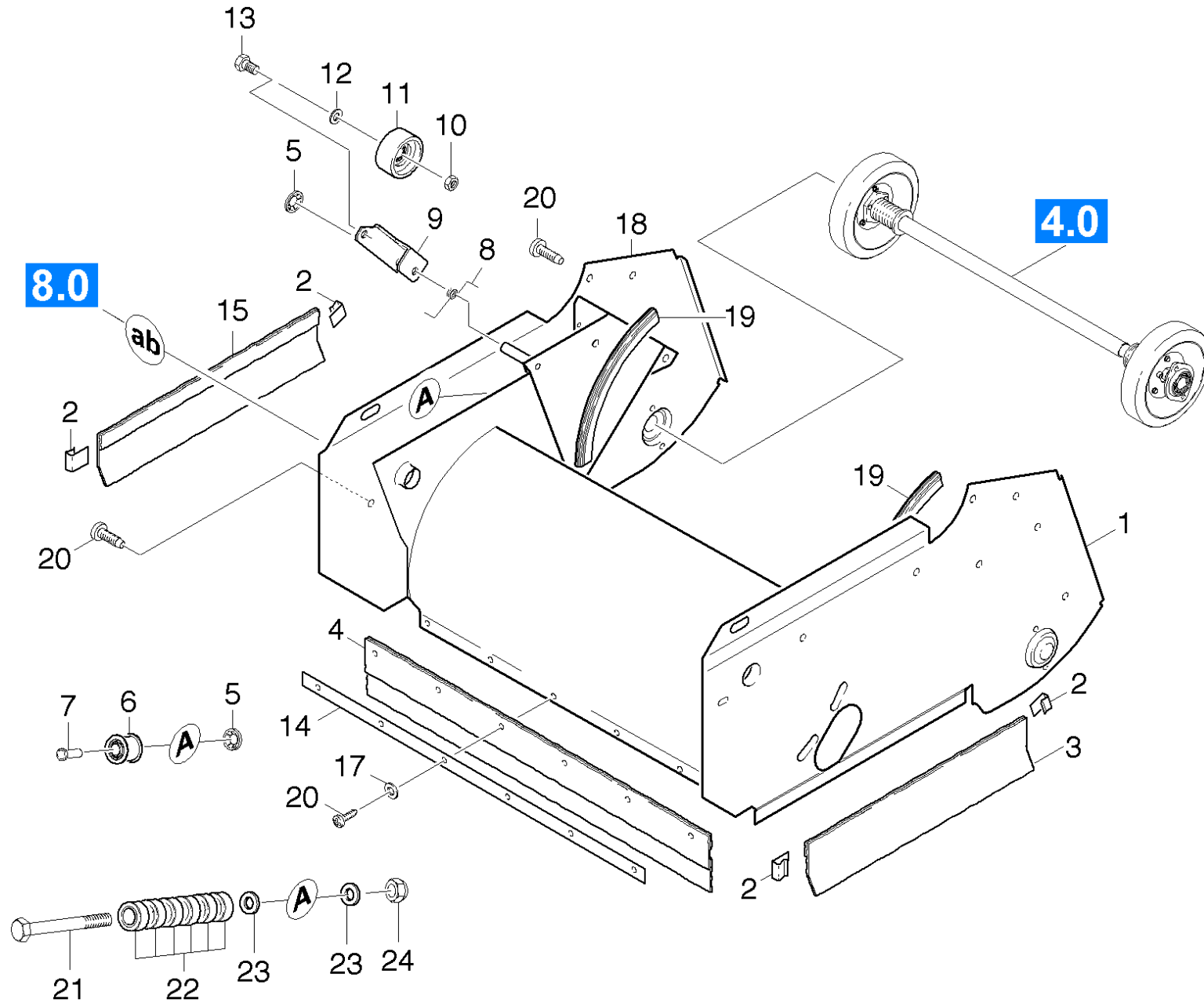


# 71 Sweep roller chest

Professional \ Sweepers \ Electric motor \ KSM 750 BAT \ Spare parts list KSM 750 BAT \ Sweep roller chest \ Sweep roller chest



## 71 Sweep roller chest

Professional \ Sweepers \ Electric motor \ KSM 750 BAT \ Spare parts list KSM 750 BAT \ Sweep roller chest \ Sweep roller chest



POS	Article no.	Description	Quantity	Unit	Serial number from
22	7.401-043.0	Ball bearing 619/8-2RS -Wae.St. DIN 62	6.000	ST	10000
7	5.316-294.0	Bolt	1.000	ST	
18	5.046-855.0	Cover plate right KSM 750	1.000	ST	
6	6.435-274.0	Deflection pulley	1.000	ST	
13	7.304-399.0	Hexagonal head screw M 8x25-8.8-A2E ISO	1.000	ST	
21	7.304-262.0	Hexagonal head screw M8x60-A4-70 ISO 40	1.000	ST	10000
10	7.311-004.0	Hexagon nut M8 -8-A3E ISO 4032	1.000	ST	
24	7.311-027.0	Hexagon nut M 8-A4-70 ISO 7042	1.000	ST	10000
5	6.343-147.0	Quick-fastener	2.000	ST	
2	6.343-201.0	Quick-fastener	4.000	ST	
11	5.515-092.0	Roller	1.000	ST	
20	7.303-046.0	Screw M6x12 -St-R3R (In6Rd)	12.000	ST	
19	5.364-192.0	Seal	2.000	ST	
4	6.365-454.0	Sealing lip center	1.000	ST	
3	6.365-399.0	Sealing lip left	1.000	ST	
15	6.365-400.0	Sealing lip right	1.000	ST	
9	5.046-903.0	Sheet metal component	1.000	ST	
8	5.332-400.0	Spiral spring belt stretcher	1.000	ST	
1	7.777-999.0	Stockpiling discontinued	1.000	ST	
14	5.047-077.0	Strip Lippenbefestigung	1.000	ST	
17	7.312-003.0	Washer 6 -200HV-A3E ISO 7089	6.000	ST	
12	7.312-004.0	Washer 8 -200HV-A3E ISO 7089	1.000	ST	
23	7.312-017.0	Washer 8-A2 ISO 7089	1.000	ST	10000